

(19) World Intellectual Property Organization  
International Bureau



(43) International Publication Date  
15 May 2008 (15.05.2008)

PCT

(10) International Publication Number  
**WO 2008/057808 A3**

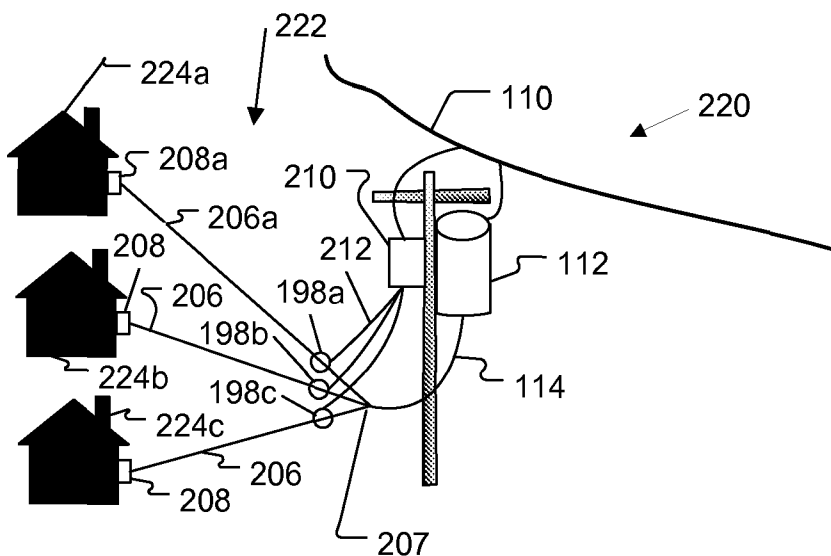
- (51) International Patent Classification:  
*G01R 11/56* (2006.01)
- (21) International Application Number:  
PCT/US2007/082760
- (22) International Filing Date: 28 October 2007 (28.10.2007)
- (25) Filing Language: English
- (26) Publication Language: English
- (30) Priority Data:  
11/555,740 2 November 2006 (02.11.2006) US  
11/775,209 9 July 2007 (09.07.2007) US
- (71) Applicant (for all designated States except US): **CURRENT TECHNOLOGIES, LLC** [US/US]; 20420 Century Blvd., Germantown, MD 20874 (US).
- (72) Inventors; and
- (75) Inventors/Applicants (for US only): **DEAVER, Brian, J., Sr.** [US/US]; 2502 Rochelle Drive, Fallstone, MD 210474 (US). **RADTKE, William, O.** [US/US]; 4508 Stonecrest Drive, Ellicott City, MD 21043 (US).
- (74) Agent: **BARNES, Melvin**; Capital Legal Group, LLC, 1100 River Bay Road, Annapolis, MD 21409 (US).

- (81) Designated States (unless otherwise indicated, for every kind of national protection available): AE, AG, AL, AM, AT, AU, AZ, BA, BB, BG, BH, BR, BW, BY, BZ, CA, CH, CN, CO, CR, CU, CZ, DE, DK, DM, DO, DZ, EC, EE, EG, ES, FI, GB, GD, GE, GH, GM, GT, HN, HR, HU, ID, IL, IN, IS, JP, KE, KG, KM, KN, KP, KR, KZ, LA, LC, LK, LR, LS, LT, LU, LY, MA, MD, ME, MG, MK, MN, MW, MX, MY, MZ, NA, NG, NI, NO, NZ, OM, PG, PH, PL, PT, RO, RS, RU, SC, SD, SE, SG, SK, SL, SM, SV, SY, TJ, TM, TN, TR, TT, TZ, UA, UG, US, UZ, VC, VN, ZA, ZM, ZW.
- (84) Designated States (unless otherwise indicated, for every kind of regional protection available): ARIPO (BW, GH, GM, KE, LS, MW, MZ, NA, SD, SL, SZ, TZ, UG, ZM, ZW), Eurasian (AM, AZ, BY, KG, KZ, MD, RU, TJ, TM), European (AT, BE, BG, CH, CY, CZ, DE, DK, EE, ES, FI, FR, GB, GR, HU, IE, IS, IT, LT, LU, LV, MC, MT, NL, PL, PT, RO, SE, SI, SK, TR), OAPI (BF, BJ, CF, CG, CI, CM, GA, GN, GQ, GW, ML, MR, NE, SN, TD, TG).

Published:  
— with international search report

(88) Date of publication of the international search report:  
26 June 2008

(54) Title: POWER THEFT DETECTION SYSTEM AND METHOD



(57) Abstract: A system and method of providing utility data services is provided. In one embodiment the method includes receiving meter data of the measured power consumed by a plurality of power customers, receiving delivered power data that includes data of the power delivered to the plurality of power customers, determining a difference between the meter data and the delivered power data, determining that the difference between the meter data and the delivered power data is greater than a predetermined amount, and indicating a discrepancy if the difference between the meter data and the delivered power data is greater than a predetermined amount. In addition, the method may include

determining that a discrepancy varies over time by a predetermined amount and providing a discrepancy notification such as wirelessly and/or via power line.

WO 2008/057808 A3

**INTERNATIONAL SEARCH REPORT**

International application No.  
PCT/US 07/82760

<p><b>A. CLASSIFICATION OF SUBJECT MATTER</b>                  IPC(8) - G01R 11/56 (2008.01)                  USPC - 705/412                  According to International Patent Classification (IPC) or to both national classification and IPC</p>																	
<p><b>B. FIELDS SEARCHED</b></p> <p>Minimum documentation searched (classification system followed by classification symbols)                  USPC - 705/412</p> <p>Documentation searched other than minimum documentation to the extent that such documents are included in the fields searched                  USPC - 705/63,400,412</p> <p>Electronic data base consulted during the international search (name of data base and, where practicable, search terms used)                  Google; Google Scholar; Google Patents; PubWest(PGPB,USPT,USOC,EPAB,JPAB);                  Search Terms Used: power, utility, data services, meter data, measured power, delivered power, customers, difference, indicate difference</p>																	
<p><b>C. DOCUMENTS CONSIDERED TO BE RELEVANT</b></p> <table border="1" style="width:100%; border-collapse: collapse;"> <thead> <tr> <th style="width:10%;">Category*</th> <th style="width:70%;">Citation of document, with indication, where appropriate, of the relevant passages</th> <th style="width:20%;">Relevant to claim No.</th> </tr> </thead> <tbody> <tr> <td>X</td> <td>US 2005/0033707 A1 (EHLERS et al.) 10 February 2005 (10.02.2005), para [0072]-[0182]</td> <td>27-33 and 36</td> </tr> <tr> <td>Y</td> <td></td> <td>1-26 and 34-35</td> </tr> <tr> <td>Y</td> <td>US 2005/0270173 A1 (BOAŽ) 08 December 2005 (08.12.2005), para [0003]-[0051],[0165]</td> <td>1-26 and 34-35</td> </tr> <tr> <td>A</td> <td>US 6,785,592 B1 (SMITH et al.) 31 August 2004 (31.08.2004)</td> <td>1-36</td> </tr> </tbody> </table>			Category*	Citation of document, with indication, where appropriate, of the relevant passages	Relevant to claim No.	X	US 2005/0033707 A1 (EHLERS et al.) 10 February 2005 (10.02.2005), para [0072]-[0182]	27-33 and 36	Y		1-26 and 34-35	Y	US 2005/0270173 A1 (BOAŽ) 08 December 2005 (08.12.2005), para [0003]-[0051],[0165]	1-26 and 34-35	A	US 6,785,592 B1 (SMITH et al.) 31 August 2004 (31.08.2004)	1-36
Category*	Citation of document, with indication, where appropriate, of the relevant passages	Relevant to claim No.															
X	US 2005/0033707 A1 (EHLERS et al.) 10 February 2005 (10.02.2005), para [0072]-[0182]	27-33 and 36															
Y		1-26 and 34-35															
Y	US 2005/0270173 A1 (BOAŽ) 08 December 2005 (08.12.2005), para [0003]-[0051],[0165]	1-26 and 34-35															
A	US 6,785,592 B1 (SMITH et al.) 31 August 2004 (31.08.2004)	1-36															
<p><input type="checkbox"/> Further documents are listed in the continuation of Box C. <input type="checkbox"/></p>																	
<p>* Special categories of cited documents:</p> <table style="width:100%;"> <tr> <td style="width:50%;"> <p>“A” document defining the general state of the art which is not considered to be of particular relevance</p> <p>“E” earlier application or patent but published on or after the international filing date</p> <p>“L” document which may throw doubts on priority claim(s) or which is cited to establish the publication date of another citation or other special reason (as specified)</p> <p>“O” document referring to an oral disclosure, use, exhibition or other means</p> <p>“P” document published prior to the international filing date but later than the priority date claimed</p> </td> <td style="width:50%;"> <p>“T” later document published after the international filing date or priority date and not in conflict with the application but cited to understand the principle or theory underlying the invention</p> <p>“X” document of particular relevance; the claimed invention cannot be considered novel or cannot be considered to involve an inventive step when the document is taken alone</p> <p>“Y” document of particular relevance; the claimed invention cannot be considered to involve an inventive step when the document is combined with one or more other such documents, such combination being obvious to a person skilled in the art</p> <p>“&amp;” document member of the same patent family</p> </td> </tr> </table>			<p>“A” document defining the general state of the art which is not considered to be of particular relevance</p> <p>“E” earlier application or patent but published on or after the international filing date</p> <p>“L” document which may throw doubts on priority claim(s) or which is cited to establish the publication date of another citation or other special reason (as specified)</p> <p>“O” document referring to an oral disclosure, use, exhibition or other means</p> <p>“P” document published prior to the international filing date but later than the priority date claimed</p>	<p>“T” later document published after the international filing date or priority date and not in conflict with the application but cited to understand the principle or theory underlying the invention</p> <p>“X” document of particular relevance; the claimed invention cannot be considered novel or cannot be considered to involve an inventive step when the document is taken alone</p> <p>“Y” document of particular relevance; the claimed invention cannot be considered to involve an inventive step when the document is combined with one or more other such documents, such combination being obvious to a person skilled in the art</p> <p>“&amp;” document member of the same patent family</p>													
<p>“A” document defining the general state of the art which is not considered to be of particular relevance</p> <p>“E” earlier application or patent but published on or after the international filing date</p> <p>“L” document which may throw doubts on priority claim(s) or which is cited to establish the publication date of another citation or other special reason (as specified)</p> <p>“O” document referring to an oral disclosure, use, exhibition or other means</p> <p>“P” document published prior to the international filing date but later than the priority date claimed</p>	<p>“T” later document published after the international filing date or priority date and not in conflict with the application but cited to understand the principle or theory underlying the invention</p> <p>“X” document of particular relevance; the claimed invention cannot be considered novel or cannot be considered to involve an inventive step when the document is taken alone</p> <p>“Y” document of particular relevance; the claimed invention cannot be considered to involve an inventive step when the document is combined with one or more other such documents, such combination being obvious to a person skilled in the art</p> <p>“&amp;” document member of the same patent family</p>																
<p>Date of the actual completion of the international search</p> <p>29 February 2008 (29.02.2008)</p>		<p>Date of mailing of the international search report</p> <p align="center"><b>11 APR 2008</b></p>															
<p>Name and mailing address of the ISA/US</p> <p>Mail Stop PCT, Attn: ISA/US, Commissioner for Patents                  P.O. Box 1450, Alexandria, Virginia 22313-1450                  Facsimile No. 571-273-3201</p>		<p>Authorized officer:</p> <p align="center">Lee W. Young</p> <p>PCT Helpdesk: 571-272-4300                  PCT OSP: 571-272-7774</p>															