

[54] COFFEE DISPENSER

[76] Inventors: Robert W. Larson, 3032 S. Euclid Ave., Berwyn, Ill. 60402; Edward C. Schwass, 2350 Waterfall, Hanover Park, Ill. 60103; Gary W. Larson, 3032 S. Euclid Ave., Berwyn, Ill. 60402

[**] Term: 14 Years

[21] Appl. No.: 632,414

[22] Filed: Jul. 19, 1984

[52] U.S. Cl. D7/76

[58] Field of Search D7/76, 300, 306; 222/185, 362

[56] References Cited

U.S. PATENT DOCUMENTS

D. 143,756	2/1946	Reinecke	D7/76
2,341,950	2/1944	Schepps	222/185 X
2,742,194	4/1956	Brown	222/185 X
3,257,042	6/1966	Aro et al.	222/362

OTHER PUBLICATIONS

Kitchen Bazaar, 4/83, p. 8, Orange Juicer, top, middle row.

Primary Examiner—Bernard Ansher

Assistant Examiner—Terry Pfeffer

Attorney, Agent, or Firm—Charles F. Pigott, Jr.

[57] CLAIM

The ornamental design for a coffee dispenser, as shown and described.

DESCRIPTION

FIG. 1 is a top, front, left side perspective view of a coffee dispenser showing our new design; FIG. 2 is a front elevation thereof; FIG. 3 is a left side elevation thereof; FIG. 4 is a right side elevation thereof; FIG. 5 is a rear elevation thereof; FIG. 6 is a top plan view thereof; FIG. 7 is a bottom plan view thereof; FIG. 8 is a perspective view of a second embodiment of that shown in FIG. 1.

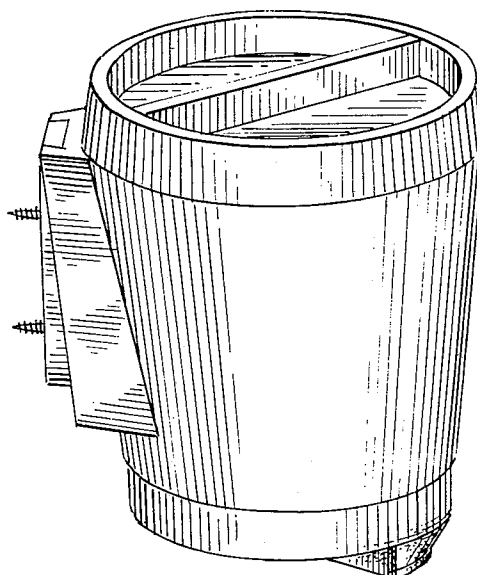
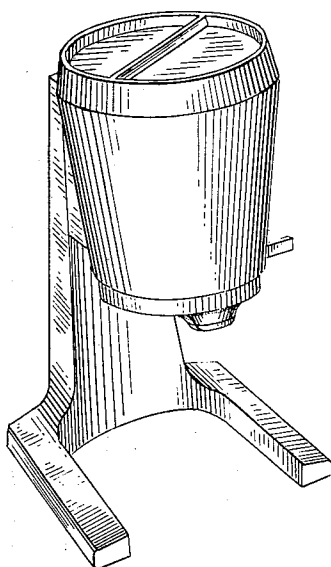


FIG. 1

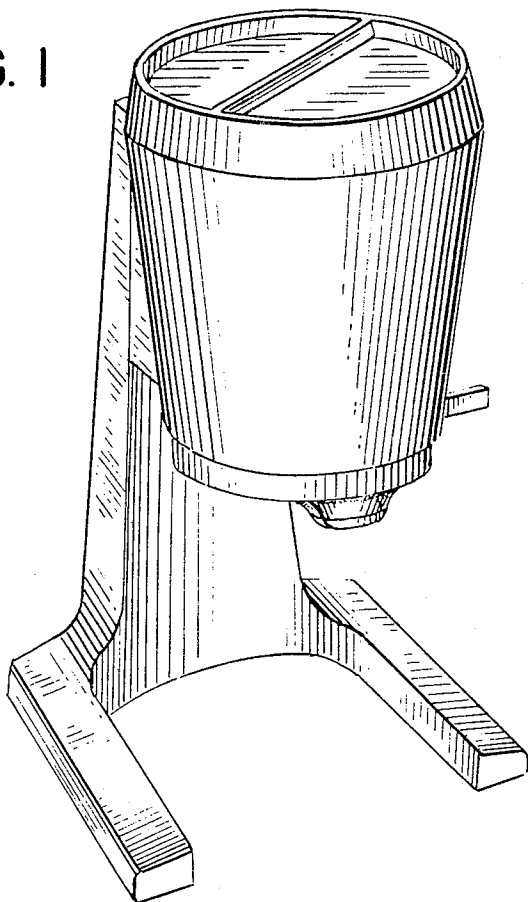


FIG. 2

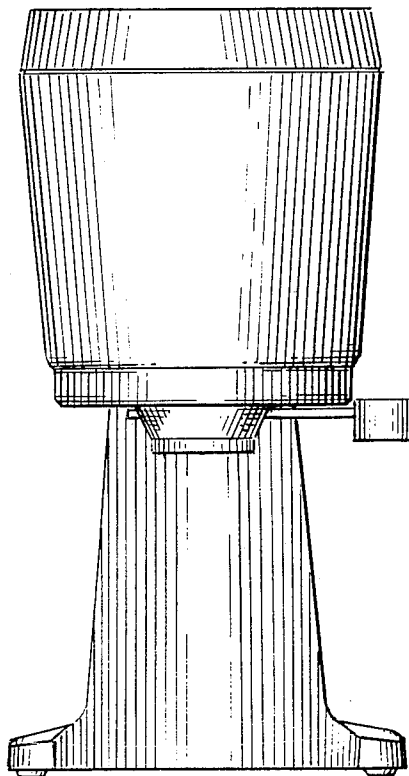


FIG. 3

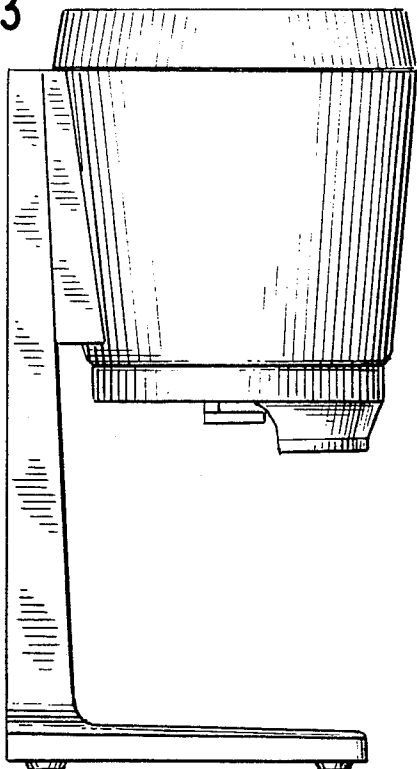


FIG. 4

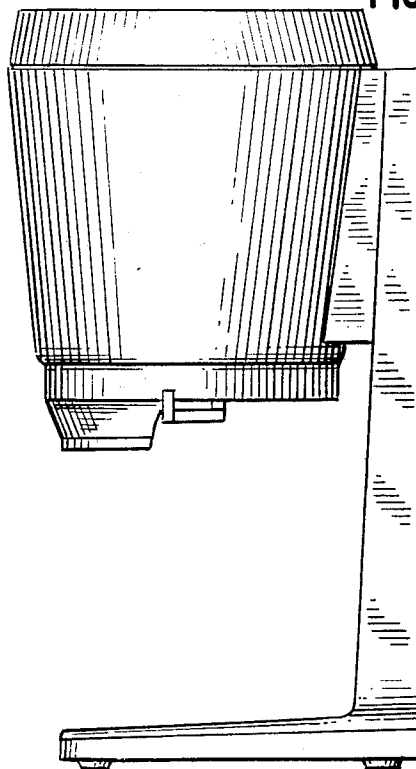


FIG. 5

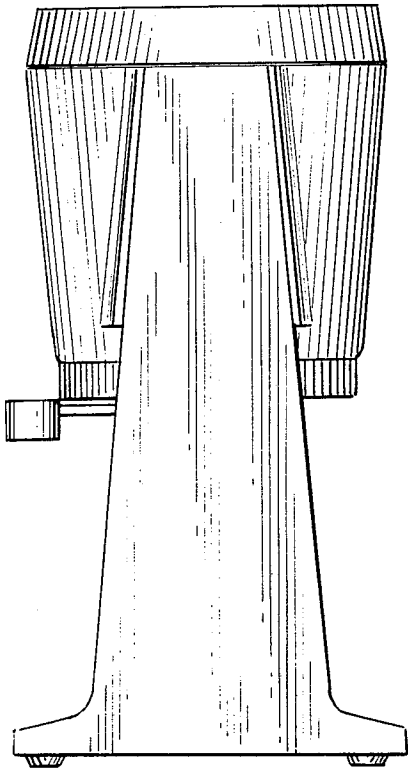


FIG. 6

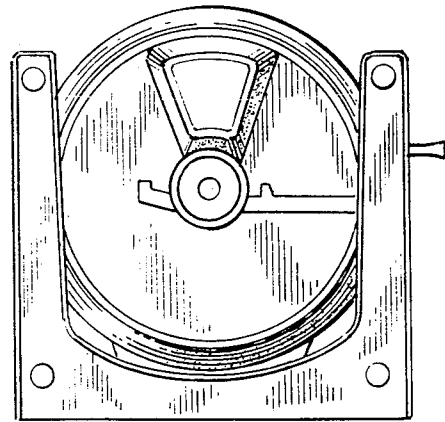
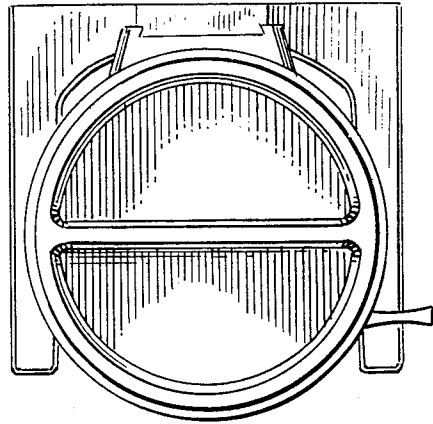


FIG. 7

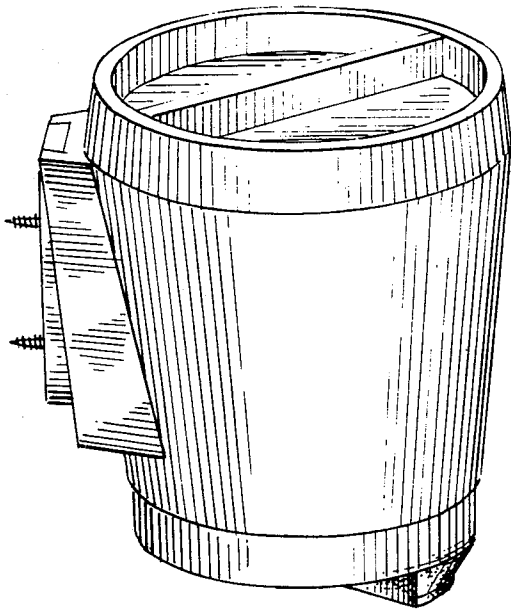


FIG. 8