

(19) World Intellectual Property Organization
International Bureau



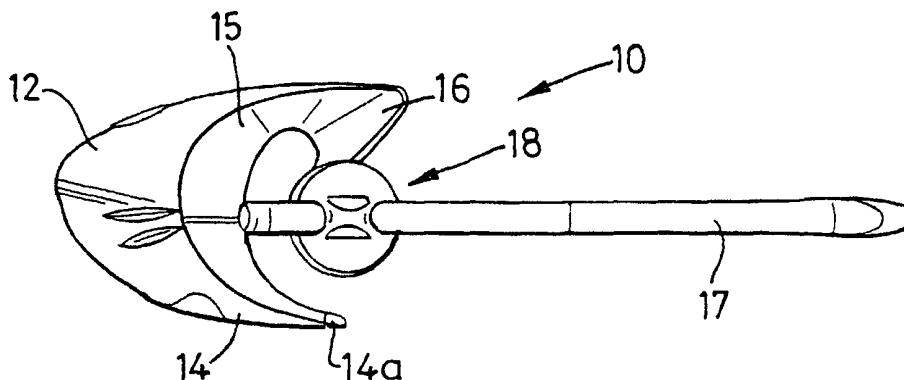
(43) International Publication Date
28 March 2002 (28.03.2002)

PCT

(10) International Publication Number
WO 02/25906 A3

- (51) International Patent Classification⁷: **H04M 1/05**
- (21) International Application Number: PCT/GB01/04228
- (22) International Filing Date:
21 September 2001 (21.09.2001)
- (25) Filing Language: English
- (26) Publication Language: English
- (30) Priority Data:
0023528.3 25 September 2000 (25.09.2000) GB
- (71) Applicant (for all designated States except US):
KNOWLES ELECTRONICS, LLC [US/US]; 1151
Maplewood Drive, Itasca, IL 60143 (US).
- (72) Inventors; and
- (75) Inventors/Applicants (for US only): **WILTON, Raymond, John** [GB/GB]; 35 Braybon Avenue, Brighton, Sussex BN1 88H (GB). **HOHL, Markus** [DE/GB]; 10A Brooklands Park, London SE3 9BL (GB). **MAYNE, Peter, Lawrence** [GB/GB]; 68 Ambler Road, London N4 2QR (GB).
- (74) Agents: **DUNLOP, Brian, Kenneth, Charles** et al.; Wynne-Jones, Laine & James, 22 Rodney Road, Cheltenham, Glos. GL50 1JJ (GB).
- (81) Designated States (national): AE, AG, AL, AM, AT, AU, AZ, BA, BB, BG, BR, BY, BZ, CA, CH, CN, CO, CR, CU, CZ, DE, DK, DM, DZ, EC, EE, ES, FI, GB, GD, GE, GH, GM, HR, HU, ID, IL, IN, IS, JP, KE, KG, KP, KR, KZ, LC, LK, LR, LS, LT, LU, LV, MA, MD, MG, MK, MN, MW, MX, MZ, NO, NZ, PH, PL, PT, RO, RU, SD, SE, SG, SI, SK, SL, TJ, TM, TR, TT, TZ, UA, UG, US, UZ, VN, YU, ZA, ZW.
- (84) Designated States (regional): ARIPO patent (GH, GM, KE, LS, MW, MZ, SD, SL, SZ, TZ, UG, ZW), Eurasian patent (AM, AZ, BY, KG, KZ, MD, RU, TJ, TM), European patent (AT, BE, CH, CY, DE, DK, ES, FI, FR, GB, GR, IE, IT, LU, MC, NL, PT, SE, TR), OAPI patent (BF, BJ, CF, CG, CI, CM, GA, GN, GQ, GW, ML, MR, NE, SN, TD, TG).
- Published:
— with international search report
- (88) Date of publication of the international search report:
13 June 2002
- For two-letter codes and other abbreviations, refer to the "Guidance Notes on Codes and Abbreviations" appearing at the beginning of each regular issue of the PCT Gazette.

(54) Title: A HEADSET



(57) Abstract: A headset (10) includes speaker (11) and housing (12) for electronic circuitry, the housing defining a generally U-shaped mouth (13), having a first leg (14) for extending below the ear and a second leg (15) for extending above the ear, the second leg (15) having a dependent crank projection (16) for supporting the speaker (11) adjacent the users ear canal and a boom microphone (17) mounted on a pivot (18).



WO 02/25906 A3

INTERNATIONAL SEARCH REPORT

International Application No PCT/GB 01/04228
--

A. CLASSIFICATION OF SUBJECT MATTER
IPC 7 H04M1/05

According to International Patent Classification (IPC) or to both national classification and IPC

B. FIELDS SEARCHED

Minimum documentation searched (classification system followed by classification symbols)
IPC 7 H04M

Documentation searched other than minimum documentation to the extent that such documents are included in the fields searched

Electronic data base consulted during the international search (name of data base and, where practical, search terms used)

EPO-Internal

C. DOCUMENTS CONSIDERED TO BE RELEVANT

Category *	Citation of document, with indication, where appropriate, of the relevant passages	Relevant to claim No.
X	US 6 097 809 A (ELA ET AL) 1 August 2000 (2000-08-01)	1,2,5,8, 13-18, 21,22
Y	abstract column 1, line 52 - line 64 column 2, line 17 - line 24	24-26
A	column 2, line 60 -column 4, line 13 column 5, line 28 - line 38 figures 1-5 ----- -/--	3,4,9, 10,23

Further documents are listed in the continuation of box C.

Patent family members are listed in annex.

* Special categories of cited documents :

- *A* document defining the general state of the art which is not considered to be of particular relevance
- *E* earlier document but published on or after the international filing date
- *L* document which may throw doubts on priority claim(s) or which is cited to establish the publication date of another citation or other special reason (as specified)
- *O* document referring to an oral disclosure, use, exhibition or other means
- *P* document published prior to the international filing date but later than the priority date claimed

- *T* later document published after the international filing date or priority date and not in conflict with the application but cited to understand the principle or theory underlying the invention
- *X* document of particular relevance; the claimed invention cannot be considered novel or cannot be considered to involve an inventive step when the document is taken alone
- *Y* document of particular relevance; the claimed invention cannot be considered to involve an inventive step when the document is combined with one or more other such documents, such combination being obvious to a person skilled in the art.
- * & * document member of the same patent family

Date of the actual completion of the international search

20 March 2002

Date of mailing of the international search report

28/03/2002

Name and mailing address of the ISA

European Patent Office, P.B. 5818 Patentlaan 2
NL - 2280 HV Rijswijk
Tel. (+31-70) 340-2040, Tx. 31 651 epo nl.
Fax: (+31-70) 340-3016

Authorized officer

Fragua, M

INTERNATIONAL SEARCH REPORT

International Application No

PCT/GB 01/04228

C.(Continuation) DOCUMENTS CONSIDERED TO BE RELEVANT

Category *	Citation of document, with indication, where appropriate, of the relevant passages	Relevant to claim No.
X	US 5 761 298 A (BERNARDI ET AL) 2 June 1998 (1998-06-02)	1,2,4-9, 11,13, 14,21-23
Y	abstract	24-26
A	column 2, line 45 -column 3, line 40	
A	column 4, line 38 -column 6, line 6	
A	figures 1,2,10	3,15,16, 18
X	--- US 6 078 825 A (HISHINUMA ET AL) 20 June 2000 (2000-06-20)	1,2, 4-10,12, 13,20,21
A	column 2, line 3 - line 14	
A	column 2, line 41 -column 3, line 4	3,11,14, 22
A	column 4, line 37 -column 6, line 11	
A	column 8, line 31 -column 9, line 7	
A	figures 1-3,11,12	
X	--- US 5 787 166 A (ULLMAN) 28 July 1998 (1998-07-28)	1,2, 4-10,13, 21
A	abstract	
A	column 2, line 35 -column 4, line 56	3,12,14, 20,22
A	figures 1-4	
X	--- US 5 715 321 A (TOPF ET AL) 3 February 1998 (1998-02-03)	1,2,4-9, 13,14, 21,22
A	column 3, line 42 -column 4, line 33	
A	column 6, line 51 -column 9, line 22	3,10,15, 18,24
A	figures 2,3	
A	-----	

INTERNATIONAL SEARCH REPORT

Information on patent family members

International Application No

PCT/GB 01/04228

Patent document cited in search report	A	Publication date	Patent family member(s)	Publication date
US 6097809	A	01-08-2000	US 5446788 A US 2002009191 A1	29-08-1995 24-01-2002
US 5761298	A	02-06-1998	NONE	
US 6078825	A	20-06-2000	NONE	
US 5787166	A	28-07-1998	WO 9515044 A1 AU 686130 B2 AU 5844494 A EP 0730804 A1 JP 9506486 T	01-06-1995 05-02-1998 13-06-1995 11-09-1996 24-06-1997
US 5715321	A	03-02-1998	US 5732143 A US 5673325 A US 5381473 A AU 4011995 A BR 9509664 A CA 2204115 A1 CN 1172573 A EP 0792567 A1 FI 972049 A IL 115785 A JP 10509570 T WO 9615646 A1 AU 2785297 A BR 9612558 A CA 2228952 A1 CN 1234895 A EP 0870298 A2 FI 974431 A WO 9725790 A2 IL 118536 A JP 2002501623 T TW 399392 B US 6061456 A US 5825897 A AU 4235996 A BR 9509782 A CA 2204880 A1 CN 1172422 A EP 0792568 A1 FI 972048 A JP 10509849 T WO 9615541 A1 BR 9304419 A CA 2109440 A1 CN 1096621 A , B CN 1183018 A EP 0595457 A1 IL 106984 A JP 6224987 A KR 158465 B1 MX 9306601 A1	24-03-1998 30-09-1997 10-01-1995 06-06-1996 28-10-1997 23-05-1996 04-02-1998 03-09-1997 07-07-1997 12-03-1999 14-09-1998 23-05-1996 01-08-1997 20-07-1999 17-07-1997 10-11-1999 14-10-1998 05-02-1998 17-07-1997 22-09-1999 15-01-2002 21-07-2000 09-05-2000 20-10-1998 06-06-1996 26-05-1998 23-05-1996 04-02-1998 03-09-1997 07-07-1997 22-09-1998 23-05-1996 03-05-1994 30-04-1994 21-12-1994 27-05-1998 04-05-1994 18-02-1997 12-08-1994 01-12-1998 29-04-1994