

United States Patent [19]

Dean

[11] Patent Number: **Des. 318,785**

[45] Date of Patent: **** Aug. 6, 1991**

[54] **TRUSS SUPPORT**

[76] Inventor: **Lamar Dean, 5230 SR 60 Lot 27,
Dover, Fla. 33527**

[**] Term: **14 Years**

[21] Appl. No.: **240,559**

[22] Filed: **Sep. 2, 1988**

[52] U.S. CL. **D8/373; D8/354;
D8/349; D8/499; 52/696; D25/126**

[58] Field of Search **D8/373; 52/696, 383;
D25/126**

[56] **References Cited**

U.S. PATENT DOCUMENTS

D. 54,301	12/1919	Albert	D25/126
D. 293,416	12/1987	Krueger	52/696 X
D. 300,371	3/1989	Hansen	D25/126
1,488,726	4/1924	Alexander et al.	52/383 X
2,275,109	3/1942	McGee	52/696 X
2,846,760	8/1958	Rohn	D25/126

3,137,922	6/1964	Schumacher	D25/126
3,778,952	12/1973	Soucy	52/696 X
4,049,082	9/1977	Reid	52/696
4,453,362	6/1984	Rodgers	52/696 X
4,490,956	1/1985	Polacio et al.	52/696 X

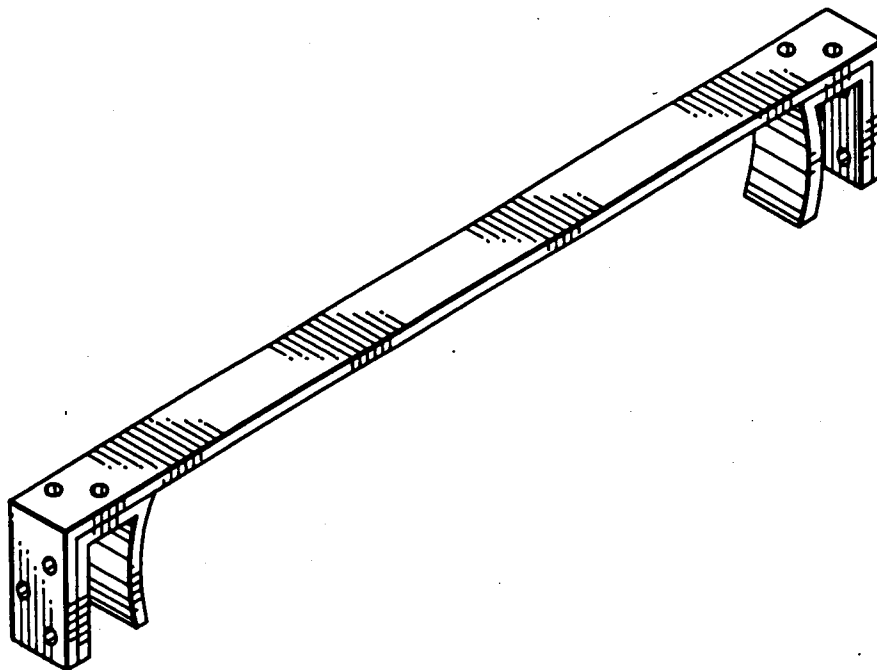
Primary Examiner—Horace B. Fay, Jr.
Attorney, Agent, or Firm—Jerry Kearns; Leon Gilden

[57] **CLAIM**

The ornamental design for a truss support, as shown and described.

DESCRIPTION

FIG. 1 is a front elevational view of a truss support showing my new design;
FIG. 2 is a rear elevational view thereof;
FIG. 3 is a left side elevational view thereof;
FIG. 4 is a right side elevational view thereof;
FIG. 5 is a top plan view thereof;
FIG. 6 is a bottom plan view thereof; and
FIG. 7 is a perspective view thereof.



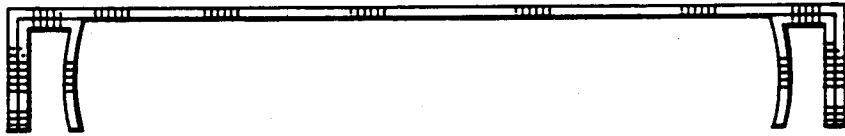


Fig. 1



Fig. 2



Fig. 3



Fig. 4



Fig. 5

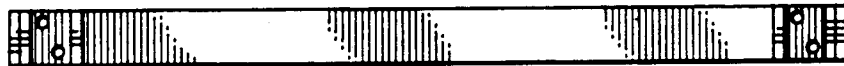


Fig. 6

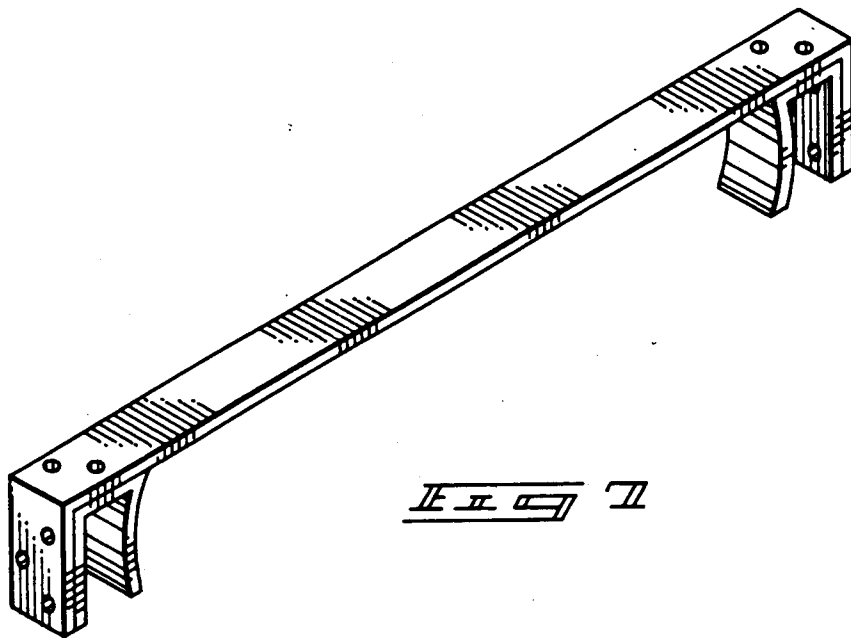


FIG. 2