

(19) World Intellectual Property Organization  
International Bureau



(43) International Publication Date  
2 February 2006 (02.02.2006)

PCT

(10) International Publication Number  
**WO 2006/010272 A3**

(51) International Patent Classification:  
*B41J 5/10* (2006.01) *G06F 1/16* (2006.01)  
*H04Q 7/32* (2006.01) *G06F 15/02* (2006.01)

235 Cameron Street North, Kitchener, Ontario N2H 3B3 (CA).

(21) International Application Number:  
PCT/CA2005/001191

(74) Agents: **BEHMANN, Curtis, B.** et al.; Borden Ladner Gervais LLP, World Exchange Plaza, Suite 1100, 100 Queen Street, Ottawa, Ontario K1P 1J9 (CA).

(22) International Filing Date: 29 July 2005 (29.07.2005)

(81) Designated States (unless otherwise indicated, for every kind of national protection available): AE, AG, AL, AM, AT, AU, AZ, BA, BB, BG, BR, BW, BY, BZ, CA, CH, CN, CO, CR, CU, CZ, DE, DK, DM, DZ, EC, EE, EG, ES, FI, GB, GD, GE, GH, GM, HR, HU, ID, IL, IN, IS, JP, KE, KG, KM, KP, KR, KZ, LC, LK, LR, LS, LT, LU, LV, MA, MD, MG, MK, MN, MW, MX, MZ, NA, NG, NI, NO, NZ, OM, PG, PH, PL, PT, RO, RU, SC, SD, SE, SG, SK, SL, SM, SY, TJ, TM, TN, TR, TT, TZ, UA, UG, US, UZ, VC, VN, YU, ZA, ZM, ZW.

(25) Filing Language: English

(26) Publication Language: English

(30) Priority Data:  
10/902,975 30 July 2004 (30.07.2004) US

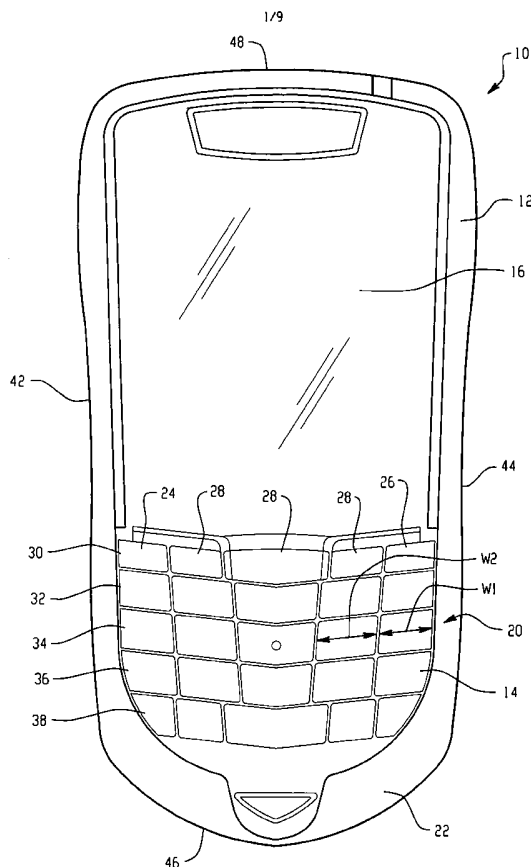
(71) Applicant (for all designated States except US): **RESEARCH IN MOTION LIMITED** [CA/CA]; 295 Phillip Street, Waterloo, Ontario N2L 3W8 (CA).

(72) Inventors: **GRIFFIN, Jason, T.**; 14 Deer Ridge Crescent, Kitchener, Ontario N2P 2L3 (CA). **TYNESKI, Frank, M.**;

(84) Designated States (unless otherwise indicated, for every kind of regional protection available): ARIPO (BW, GH, GM, KE, LS, MW, MZ, NA, SD, SL, SZ, TZ, UG, ZM, ZW), Eurasian (AM, AZ, BY, KG, KZ, MD, RU, TJ, TM),

[Continued on next page]

(54) Title: KEY ARRANGEMENT FOR A KEYBOARD



(57) Abstract: A key arrangement includes a plurality of keys that are arranged in a regular grid of rows and columns. The columns include a first column, a last column, and at least one middle column. The keys in the first and last columns are smaller than the keys in the at least one middle column. A method for improving the ergonomics of a key arrangement on a keyboard of a fixed size is provided. A method for designing a key arrangement for a mobile communication device is also provided.

WO 2006/010272 A3



European (AT, BE, BG, CH, CY, CZ, DE, DK, EE, ES, FI, FR, GB, GR, HU, IE, IS, IT, LT, LU, LV, MC, NL, PL, PT, RO, SE, SI, SK, TR), OAPI (BF, BJ, CF, CG, CI, CM, GA, GN, GQ, GW, ML, MR, NE, SN, TD, TG).

**(88) Date of publication of the international search report:**  
20 July 2006

**Published:**

— *with international search report*

*For two-letter codes and other abbreviations, refer to the "Guidance Notes on Codes and Abbreviations" appearing at the beginning of each regular issue of the PCT Gazette.*

# INTERNATIONAL SEARCH REPORT

International application No.  
PCT/CA2005/001191

<b>A. CLASSIFICATION OF SUBJECT MATTER</b> IPC(7): B41J 5/10, H04Q 7/32, G06F 1/16, G06F 15/02		
According to International Patent Classification (IPC) or to both national classification and IPC		
<b>B. FIELDS SEARCHED</b>		
Minimum documentation searched (classification system followed by classification symbols) IPC(7)B41J		
Documentation searched other than minimum documentation to the extent that such documents are included in the fields searched None		
Electronic database(s) consulted during the international search (name of database(s) and, where practicable, search terms used) Delphion, TechSource Keywords searched: key, keyboard, cellular, phone, arrangement, layout, mobile		
<b>C. DOCUMENTS CONSIDERED TO BE RELEVANT</b>		
<b>Category*</b>	<b>Citation of document, with indication, where appropriate, of the relevant passages</b>	<b>Relevant to claim No.</b>
X Y	US 2004/0121816 A (YANG) 24 June 2004 (24.06.2004) See Figure 1.	1-16 17
Y A	US2003/0030624 A (FUJITSU LTD) 13 February 2003 (13.02.2003) See Figure 1(a).	17 1-16
A	US2002/0030965 A (KATZ) 14 March 2002 (14.03.2002)	1-17
<input type="checkbox"/> Further documents are listed in the continuation of Box C.		
<input checked="" type="checkbox"/> See patent family annex.		
* Special categories of cited documents :		
"A" document defining the general state of the art which is not considered to be of particular relevance	"T" later document published after the international filing date or priority date and not in conflict with the application but cited to understand the principle or theory underlying the invention	
"E" earlier application or patent but published on or after the international filing date	"X" document of particular relevance; the claimed invention cannot be considered novel or cannot be considered to involve an inventive step when the document is taken alone	
"L" document which may throw doubts on priority claim(s) or which is cited to establish the publication date of another citation or other special reason (as specified)	"Y" document of particular relevance; the claimed invention cannot be considered to involve an inventive step when the document is combined with one or more other such documents, such combination being obvious to a person skilled in the art	
"O" document referring to an oral disclosure, use, exhibition or other means	"&" document member of the same patent family	
"P" document published prior to the international filing date but later than the priority date claimed		
Date of the actual completion of the international search 27 September 2005 (27-09-2005)	Date of mailing of the international search report 16 November 2005 (16-11-2005)	
Name and mailing address of the ISA/CA Canadian Intellectual Property Office Place du Portage I, C114 - 1st Floor, Box PCT 50 Victoria Street Gatineau, Quebec K1A 0C9 Facsimile No.: 001(819)953-2476	Authorized officer Victoria Dempster (819) 934-4272	

# INTERNATIONAL SEARCH REPORT

Information on patent family members

International application No.  
PCT/CA2005/001191

Patent Document Cited in Search Report	Publication Date	Patent Family Member(s)	Publication Date
US2004121816	24-06-2004	DE10320876 A1	15-07-2004
US2003030624	13-02-2003	JP2003044207 A	14-02-2003
US2002030965		AU7225201 A AU7582701 A CA2366636 A1 EP1305699 A2 JP2004513415T T US6594142 B2 US6679639 B2 US2005025551 A1 WO0208876 A2 WO0208877 A2	05-02-2002 05-02-2002 08-11-2002 02-05-2003 30-04-2004 15-07-2003 20-01-2004 03-02-2005 31-01-2002 31-01-2002