



US00D775031S

(12) **United States Design Patent** (10) **Patent No.:** **US D775,031 S**
Frascella (45) **Date of Patent:** **** Dec. 27, 2016**

(54) **VEHICLE FENDER**
(71) Applicant: **Jaguar Land Rover Limited**, Coventry (GB)
(72) Inventor: **Massimo Frascella**, Coventry (GB)
(73) Assignee: **Jaguar Land Rover Limited** (GB)
(**) Term: **14 Years**
(21) Appl. No.: **29/515,265**
(22) Filed: **Jan. 21, 2015**

(30) **Foreign Application Priority Data**

Jul. 22, 2014 (EM) 002507228
Jul. 22, 2014 (EM) 002507269

(51) **LOC (10) Cl.** **12-16**

(52) **U.S. Cl.**
USPC **D12/184**

(58) **Field of Classification Search**

USPC D12/184, 196, 90-92, 181; 280/152.1, 280/847-849, 851; 296/181.1, 181.5
CPC B62D 25/16; B62D 25/18; B62D 25/161; B62D 25/168; B62D 25/182; B62D 25/184; B62D 25/186; B62D 25/188
See application file for complete search history.

(56) **References Cited**

U.S. PATENT DOCUMENTS

D620,407 S * 7/2010 Froehlich D12/184
D642,101 S * 7/2011 Faghizadeh D12/181
D642,966 S * 8/2011 Messale D12/181
D659,616 S * 5/2012 Matsumoto D12/184
D665,319 S * 8/2012 Huet D12/184

D669,829 S * 10/2012 Iwao D12/184
D680,045 S * 4/2013 Hamilton D12/184
D683,679 S * 6/2013 Platto D12/184
D685,305 S * 7/2013 Tase D12/184
D691,530 S * 10/2013 Song D12/184
D699,649 S * 2/2014 Okue D12/184
D709,010 S * 7/2014 Mays D12/184
D711,797 S * 8/2014 Tsuchida D12/184
D716,708 S * 11/2014 Beermann D12/184
D716,709 S * 11/2014 Thole D12/184
D722,930 S * 2/2015 George D12/184
D731,373 S * 6/2015 Howell D12/184
D748,023 S * 1/2016 Nissl D12/184
D756,869 S * 5/2016 McMahan D12/184

* cited by examiner

Primary Examiner — Melody N Brown

(74) *Attorney, Agent, or Firm* — Fishman Stewart PLLC

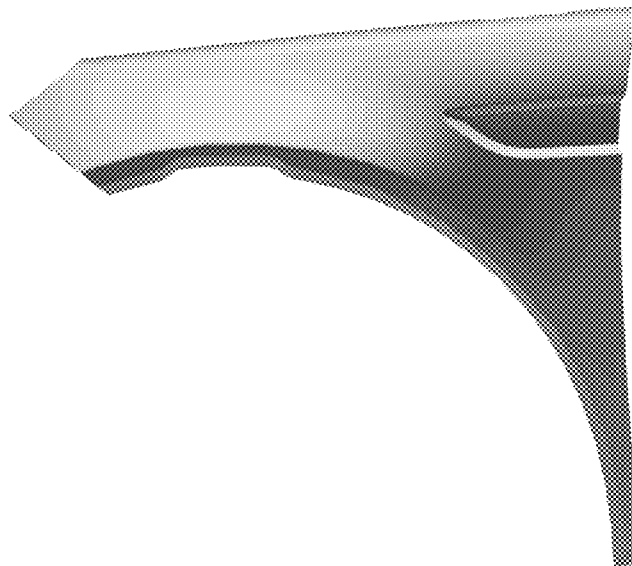
(57) **CLAIM**

The ornamental design for a vehicle fender, as shown and described.

DESCRIPTION

FIG. 1 is a left front perspective view of a vehicle fender; FIG. 2 is a right front perspective view of a vehicle fender; FIG. 3 is a left rear perspective view of a vehicle fender; FIG. 4 is a front view of a vehicle fender; FIG. 5 is a rear view of a vehicle fender; FIG. 6 is a left side view of a vehicle fender; FIG. 7 is a right side view of a vehicle fender; FIG. 8 is a top view of a vehicle fender; and, FIG. 9 is another front perspective view of a vehicle fender in the installed position on the vehicle. Portions of the vehicle FIG. 9 shown in diagonal lines are for illustrative purposes only and form no part of the claimed design.

1 Claim, 6 Drawing Sheets



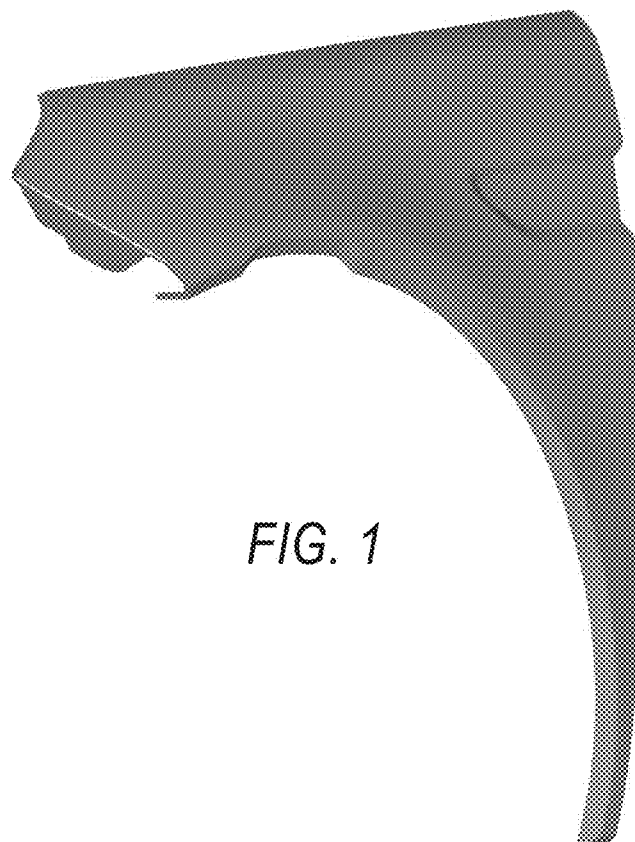


FIG. 1

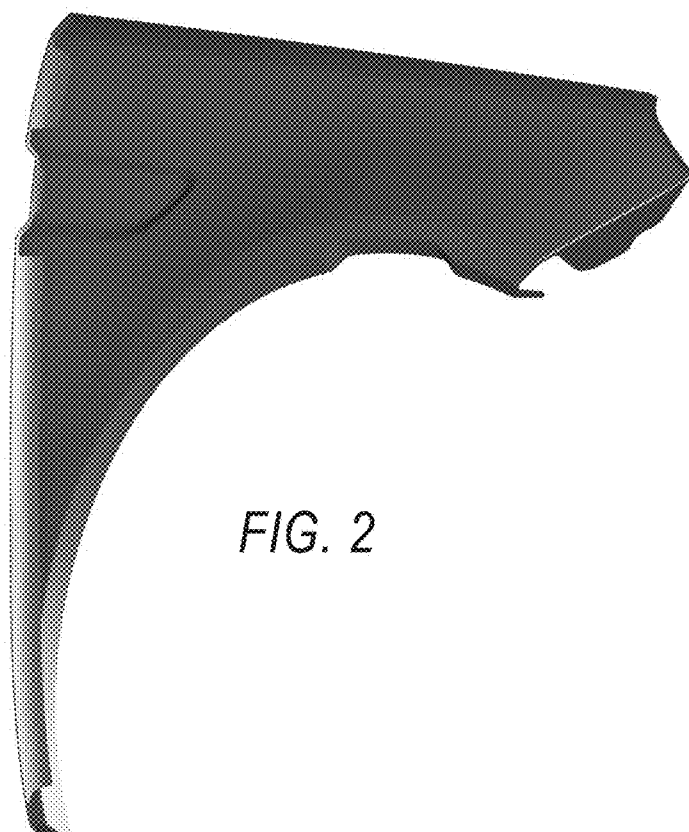


FIG. 2

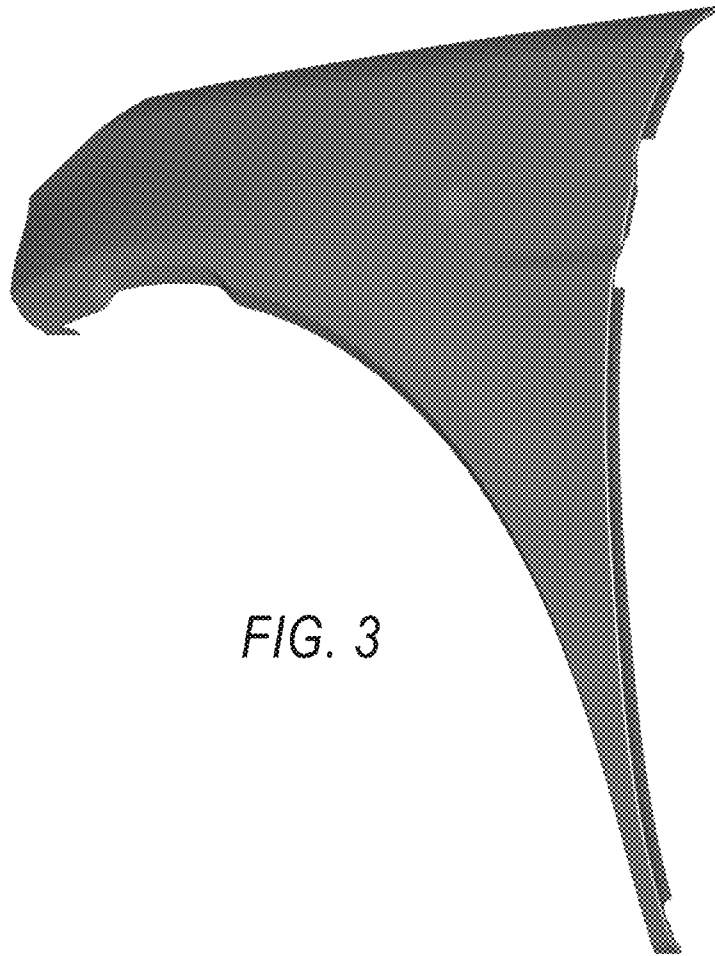


FIG. 3

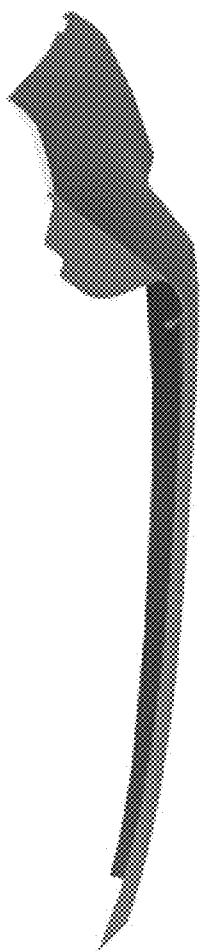


FIG. 4

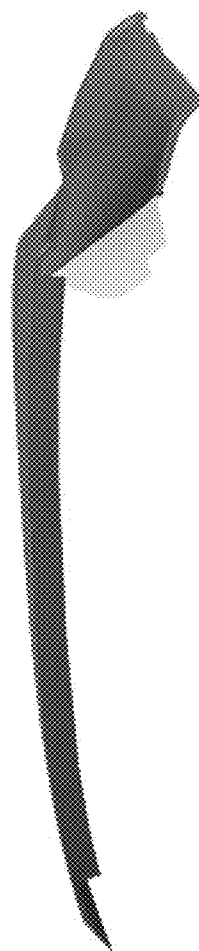


FIG. 5

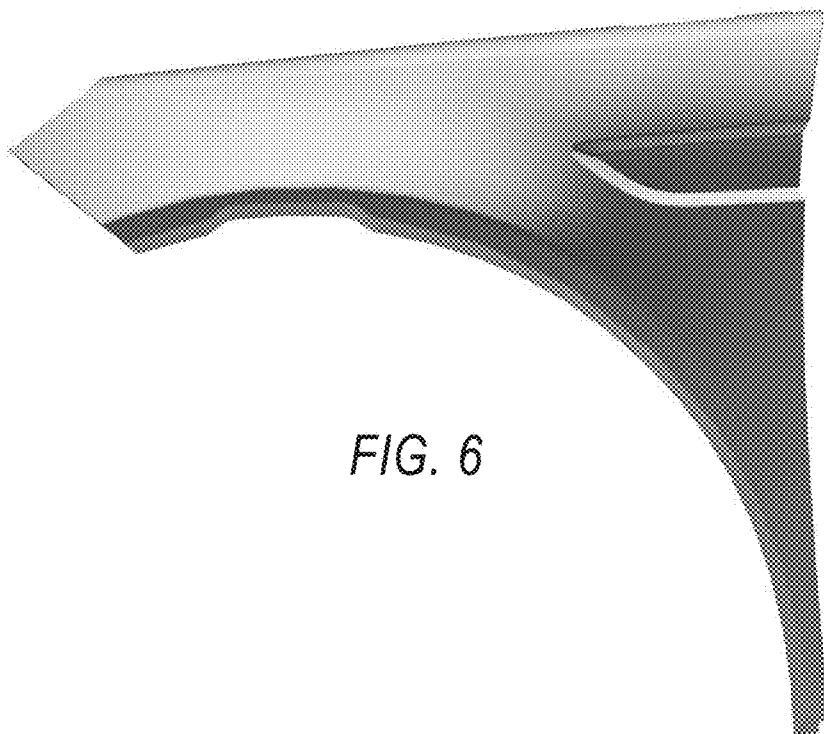


FIG. 6

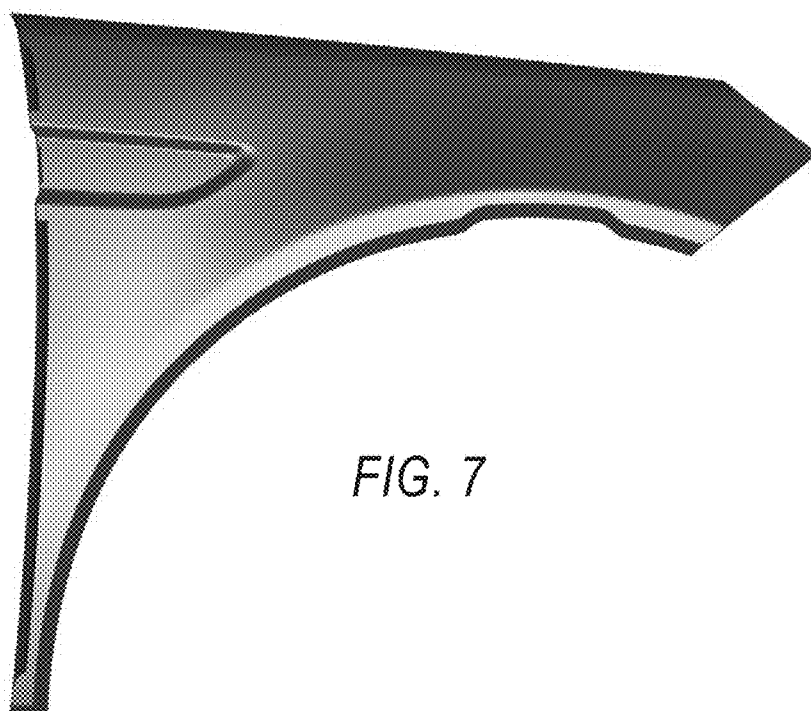


FIG. 7

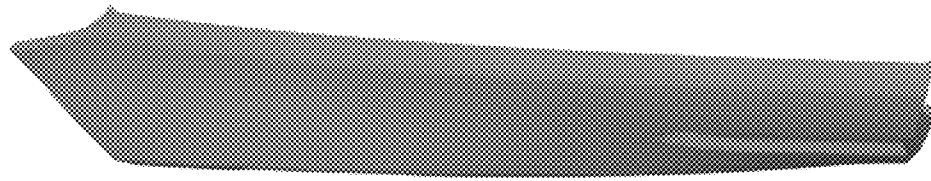


FIG. 8

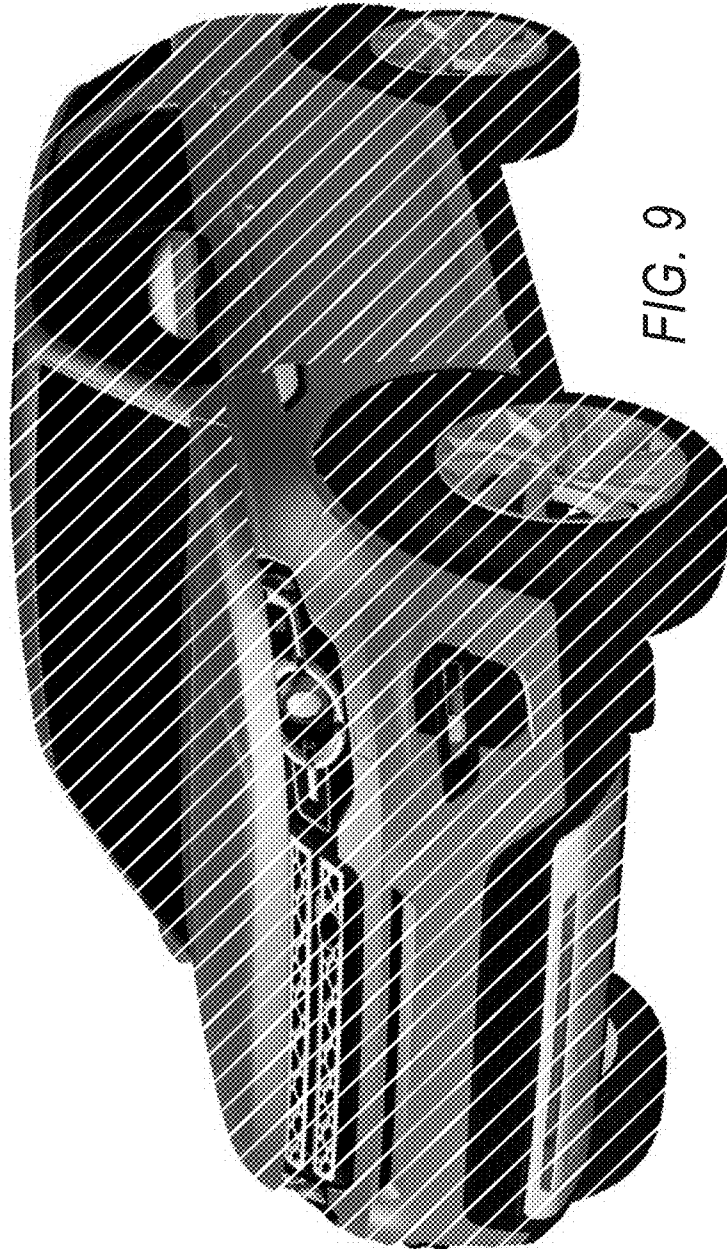


FIG. 9