



US0D1046321S

(12) **United States Design Patent**  
**Lin**

(10) **Patent No.:** **US D1,046,321 S**

(45) **Date of Patent:** **\*\* Oct. 8, 2024**

(54) **PET TOY**

FOREIGN PATENT DOCUMENTS

(71) Applicant: **TANY TECHNOLOGY CO., LTD.**,  
Shenzhen (CN)

CN 305571423 S 1/2020  
CN 307285531 S 4/2022

(Continued)

(72) Inventor: **Yong Lin**, Shenzhen (CN)

OTHER PUBLICATIONS

(73) Assignee: **TANY TECHNOLOGY CO., LTD.**,  
Shenzhen (CN)

Potaroma Cat Toys Tumbler Smart Interactive Electronic Kitten Toy, Fluttering Butterfly, Bell Track Balls, Indoor Exercise Cat Kicker, 3 AA Batteries Required (Bright White), posted Jul. 5, 2022, retrieved Nov. 13, 2023 [online]. URL: <https://www.amazon.com/dp/B0BJNFKT5X?th=1> (Year: 2022).\*

(Continued)

(\*\*) Term: **15 Years**

(21) Appl. No.: **29/867,094**

(22) Filed: **Oct. 10, 2022**

(51) **LOC (14) Cl.** ..... **30-12**

(52) **U.S. Cl.**

USPC ..... **D30/160**

(58) **Field of Classification Search**

USPC ..... D30/160; D21/398, 402, 405, 406, 455,  
D21/456, 466, 468, 475, 493, 627

CPC ..... A01K 15/025

See application file for complete search history.

*Primary Examiner* — Samantha Wood

*Assistant Examiner* — Emily A Caven

(74) *Attorney, Agent, or Firm* — Andrew C. Cheng

(56) **References Cited**

U.S. PATENT DOCUMENTS

D171,950 S *	4/1954	Moore	.....	D21/408
3,710,503 A *	1/1973	Rylands	.....	A63H 33/00
				D21/406
4,356,915 A *	11/1982	Phillips	.....	B65D 85/58
				224/919
5,045,011 A *	9/1991	Lovik	.....	A63H 33/18
				473/610
D335,553 S *	5/1993	Conner	.....	D30/160
D335,554 S *	5/1993	Conner	.....	D21/408
5,809,938 A *	9/1998	Baiera	.....	A01K 15/025
				119/707
D405,563 S *	2/1999	Baiera	.....	D30/160
5,984,753 A *	11/1999	Perez	.....	A63B 65/10
				473/588
6,405,682 B1 *	6/2002	Simon	.....	A01K 15/025
				119/711
D652,181 S *	1/2012	Lee	.....	D30/160

(Continued)

(57) **CLAIM**

I claim the ornamental design for a pet toy, as shown and described.

**DESCRIPTION**

FIG. 1 is a perspective view of a pet toy showing my new design;

FIG. 2 is another perspective view thereof;

FIG. 3 is a front view thereof;

FIG. 4 is a back view thereof;

FIG. 5 is a left view thereof;

FIG. 6 is a right view thereof;

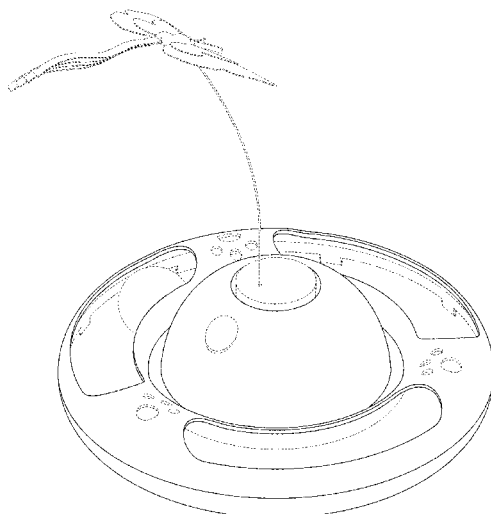
FIG. 7 is a top view thereof;

FIG. 8 is a bottom view thereof; and,

FIG. 9 is an exploded view of FIG. 1.

The broken lines in the drawings depict portions of the pet toy that form no part of the claimed design.

**1 Claim, 9 Drawing Sheets**



(56)

**References Cited**

U.S. PATENT DOCUMENTS

8,418,657 B2 \* 4/2013 Dixon ..... A01K 15/025  
119/711  
D1,022,346 S \* 4/2024 Huang ..... D30/160  
2014/0338613 A1 \* 11/2014 Suring ..... A01K 15/025  
119/707

FOREIGN PATENT DOCUMENTS

CN 307466573 S 7/2022  
CN 307850472 \* 2/2023  
EM 015012952-0002 \* 3/2023

OTHER PUBLICATIONS

Tyasoleil 3 in 1 Smart Cat Toys, Interactive Cat Roly Poly Toy, Electric Indoor Kitten Toys, Fluttering Butterfly, Random Whack-A-Mole Mice, Dual Power Supplies, Auto On/Off (Blue); posted Oct. 10, 2022, retrieved Nov. 13, 2023 [online]. URL: <https://www.amazon.com/dp/B0BK8TW8DC> (Year: 2022).\*

Potaroma Cat Toys Tumbler Smart Interactive Electronic Kitten Toy, posted Jul. 5, 2023, retrieved Nov. 14, 2023 [online]. URL: <https://www.youtube.com/watch?v=a1voQU2snBw> (Year: 2023).\*

Potaroma Cat Toys Tumbler Smart Interactive Electronic Kitten Toy; posting date unavailable, retrieved Nov. 14, 2023 [online]. URL: <https://potaroma.com/collections/electric-pet-toys/products/potaroma-cat-toys-tumbler-smart-interactive-electronic-kitten-toy> (Year: 2023).\*

\* cited by examiner

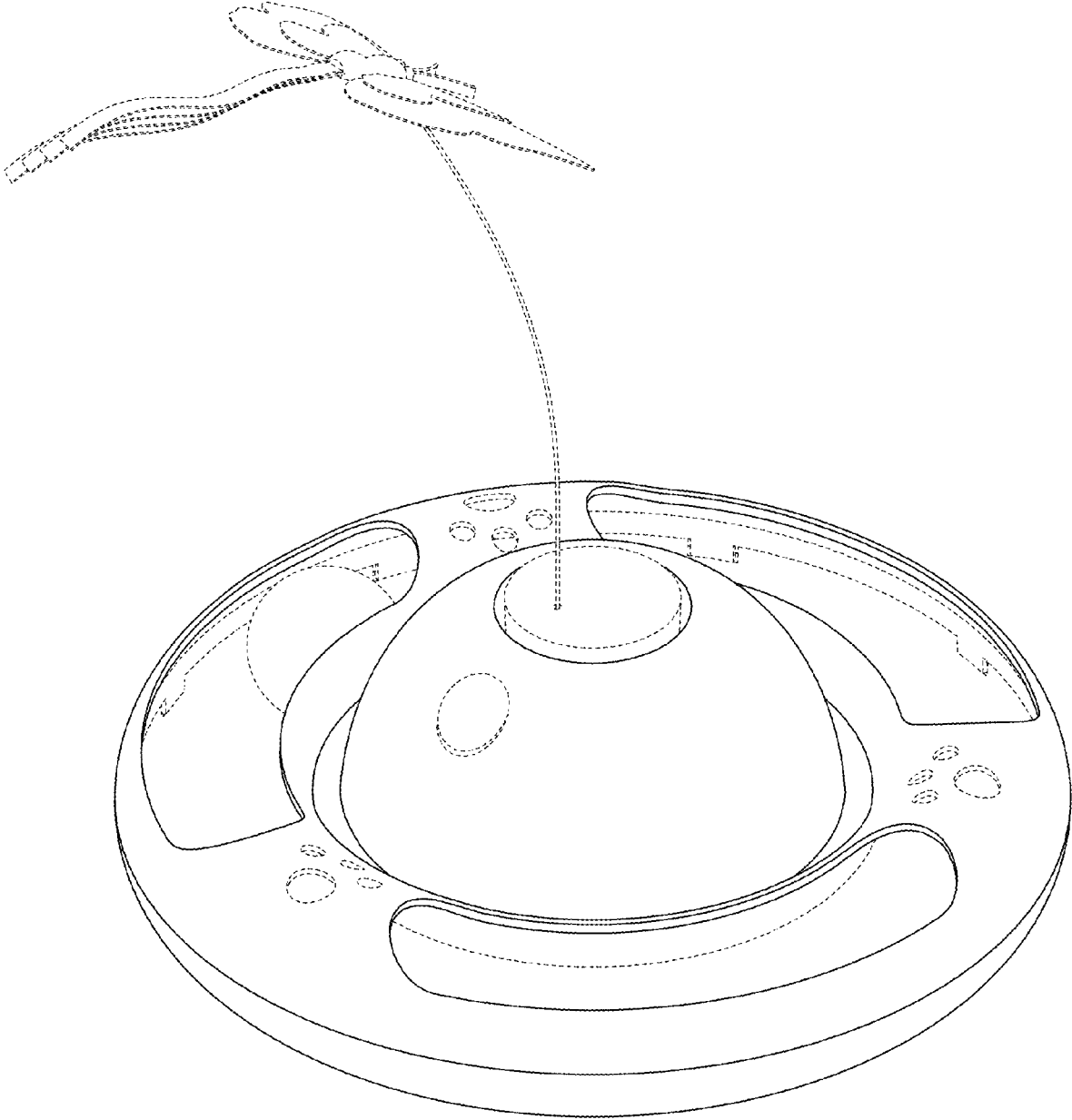


FIG. 1

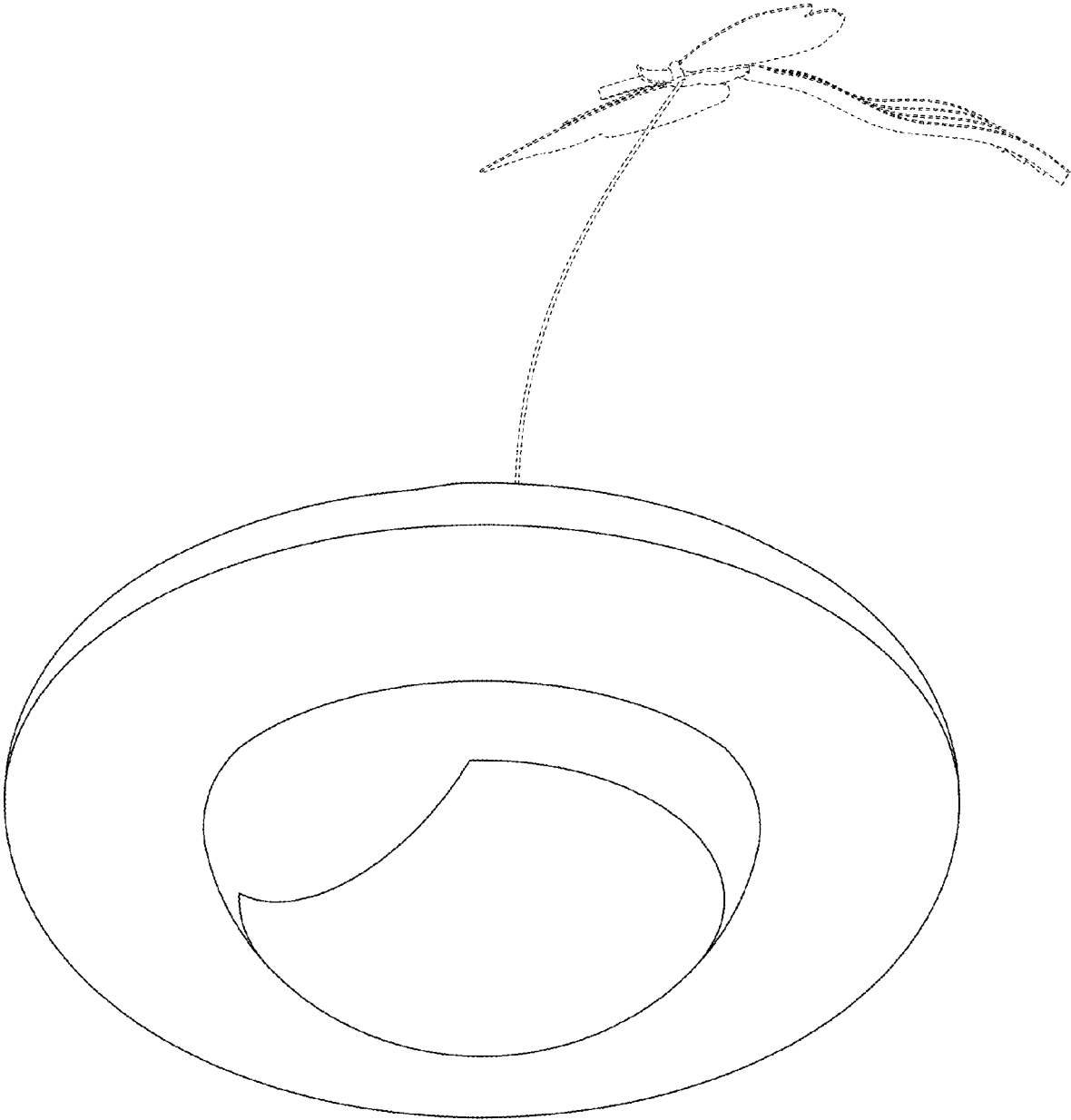


FIG. 2

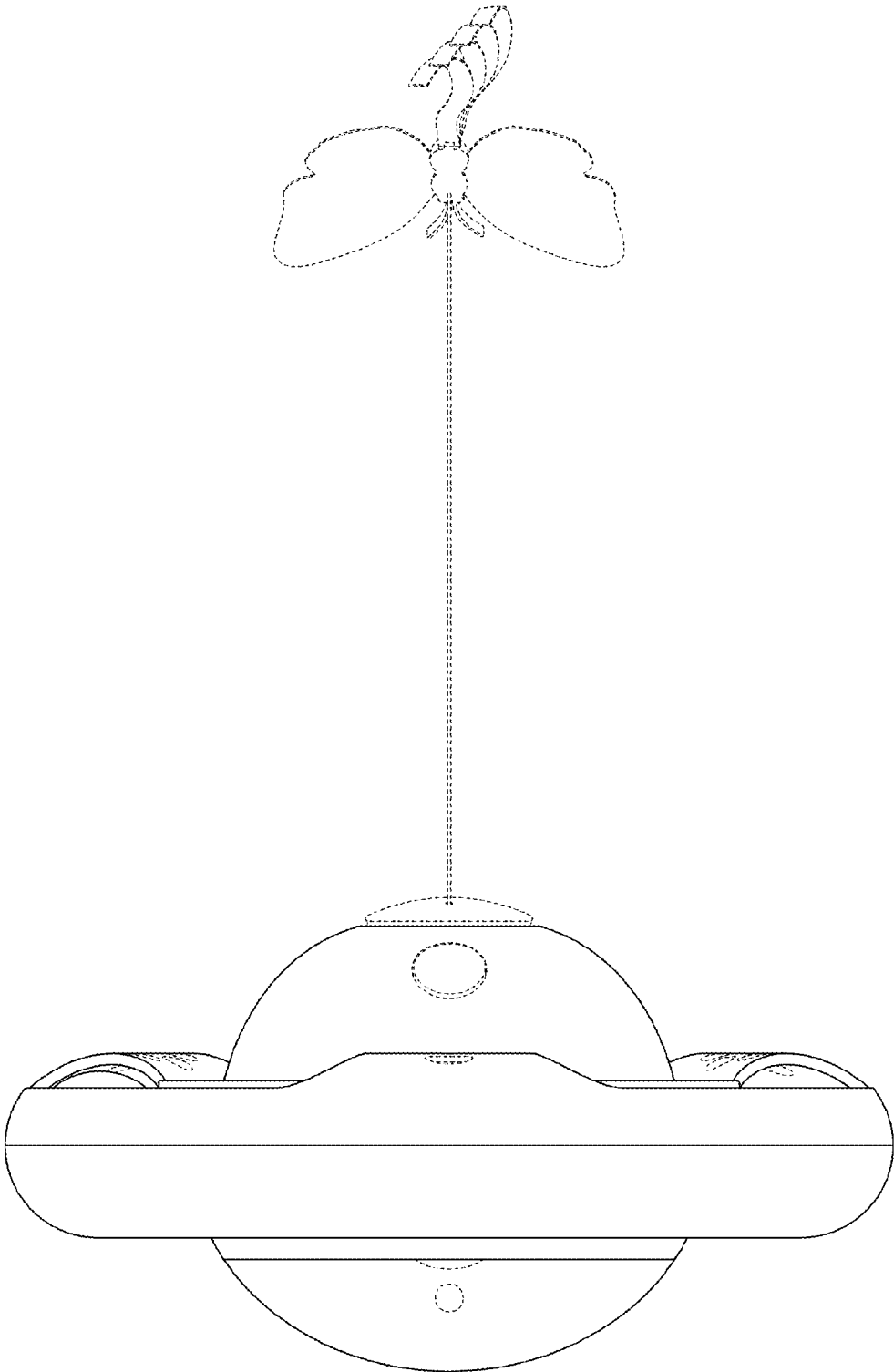


FIG. 3

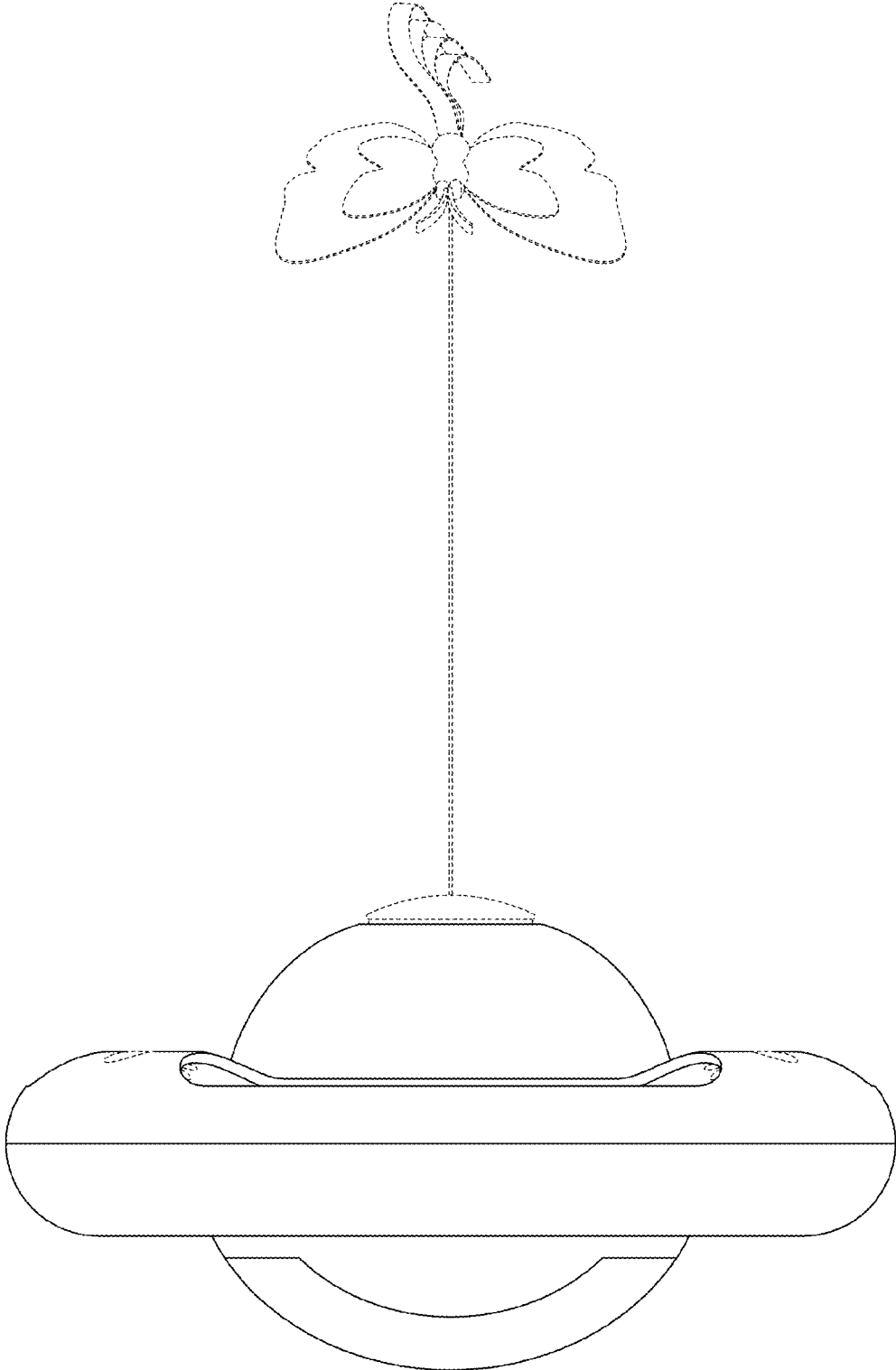


FIG. 4

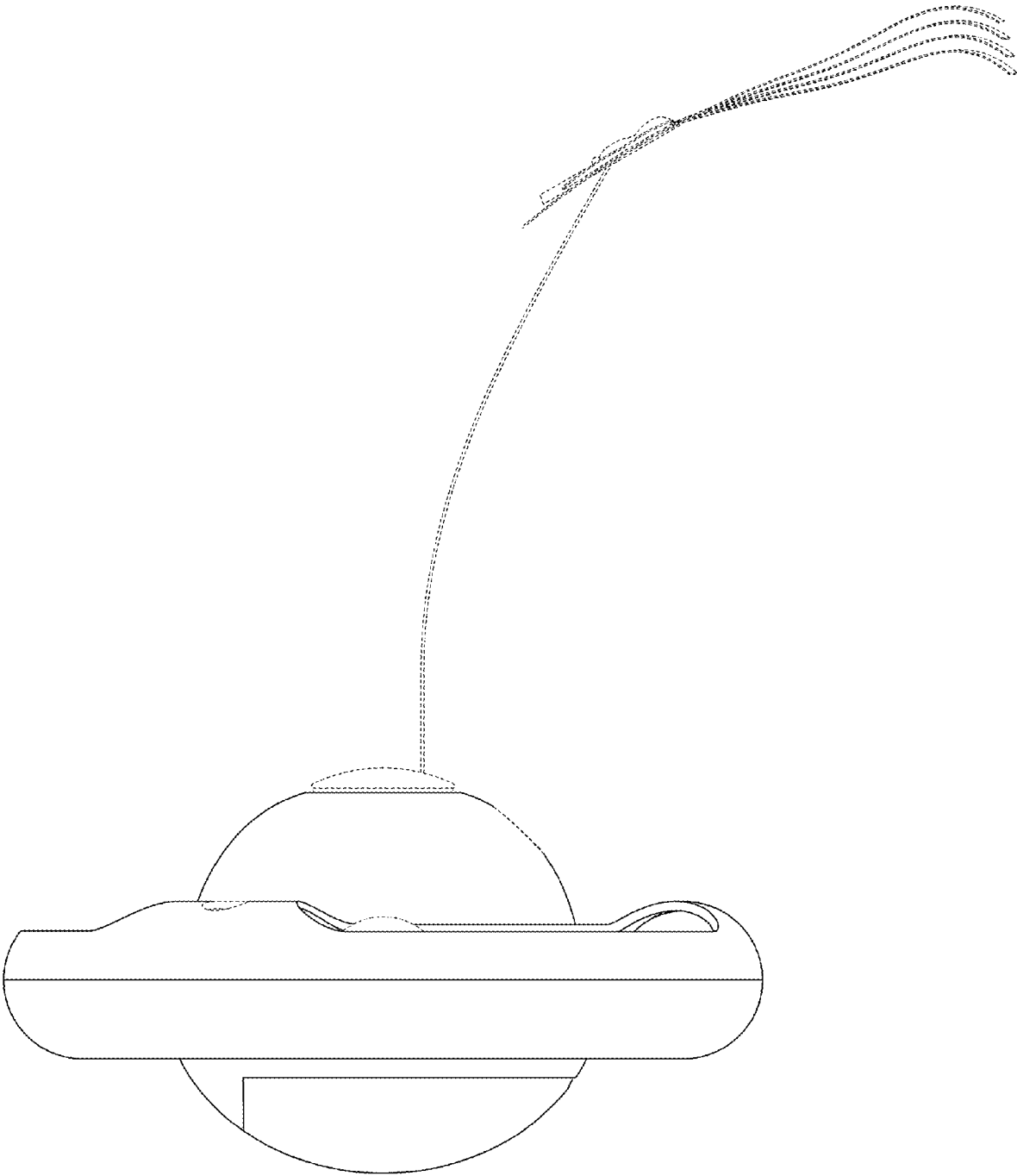


FIG. 5

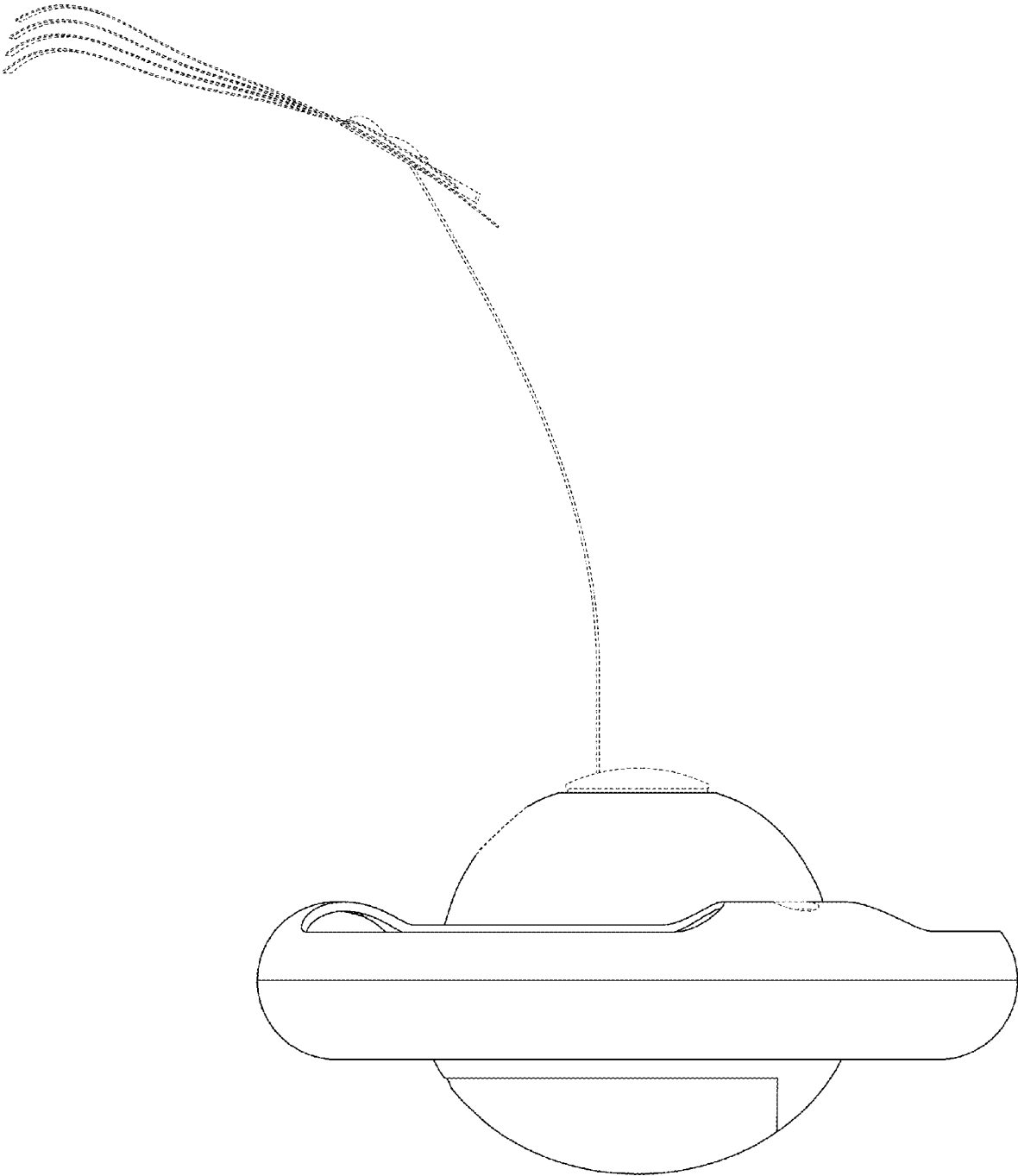


FIG. 6

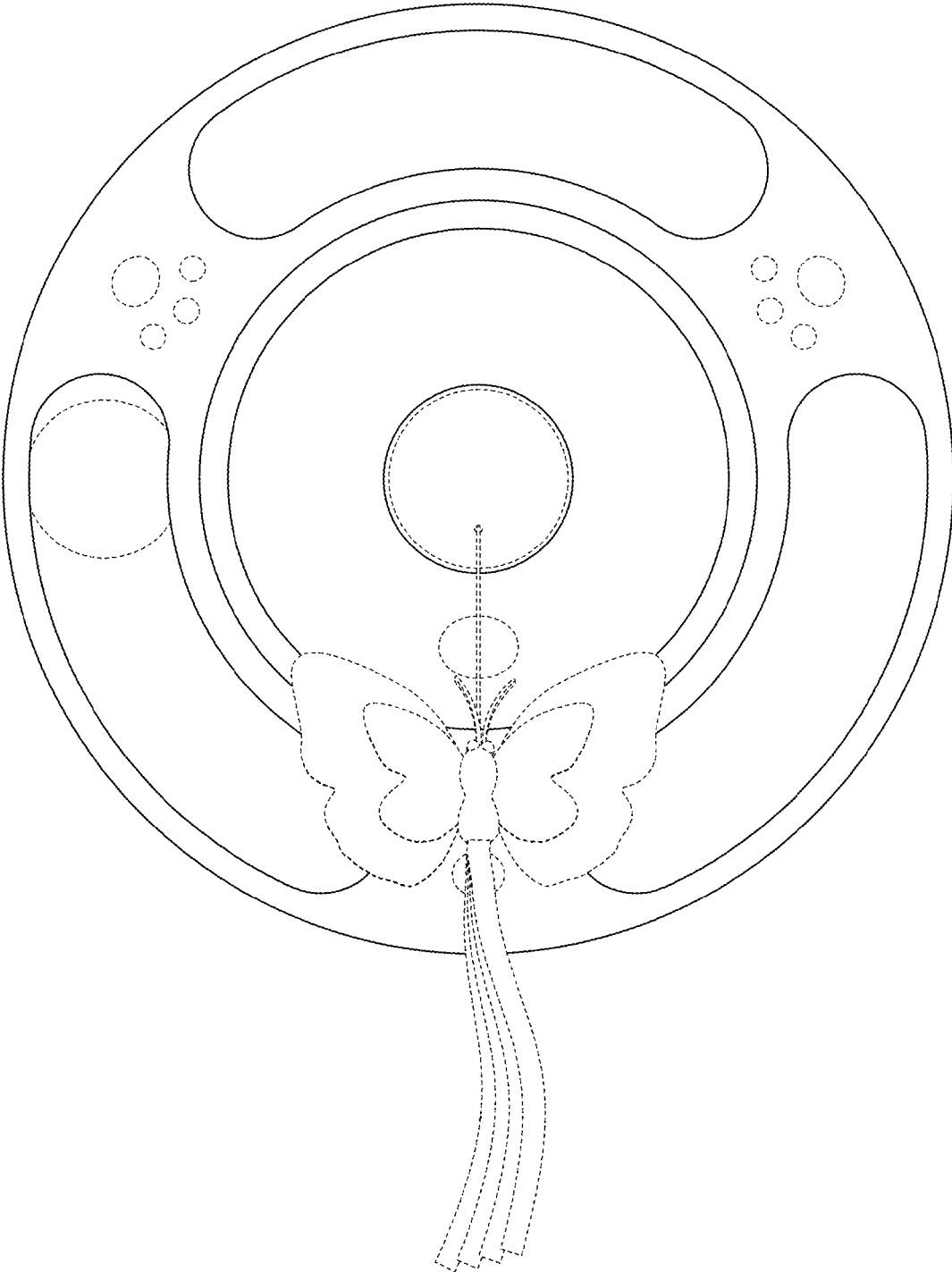


FIG. 7

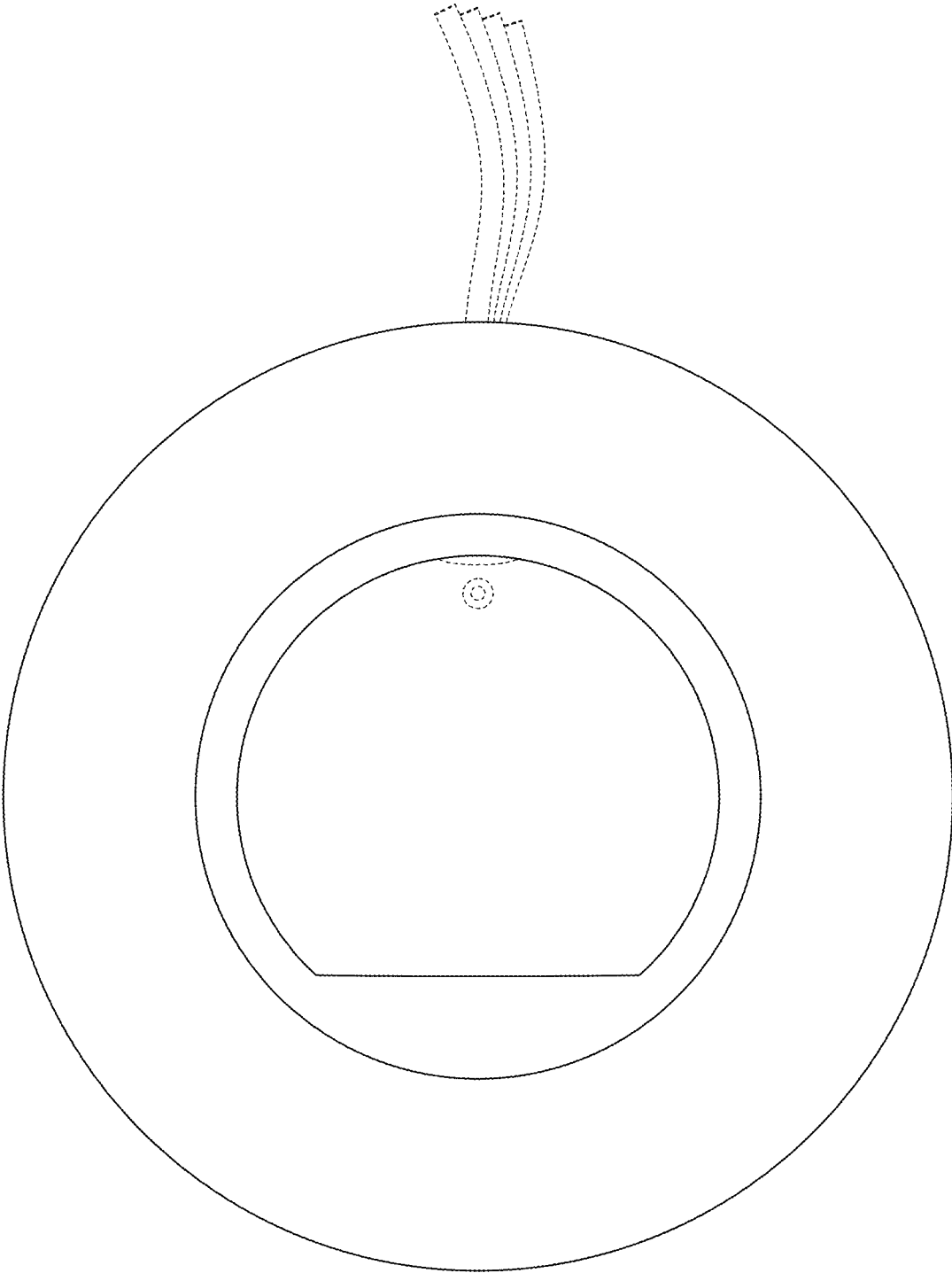


FIG. 8

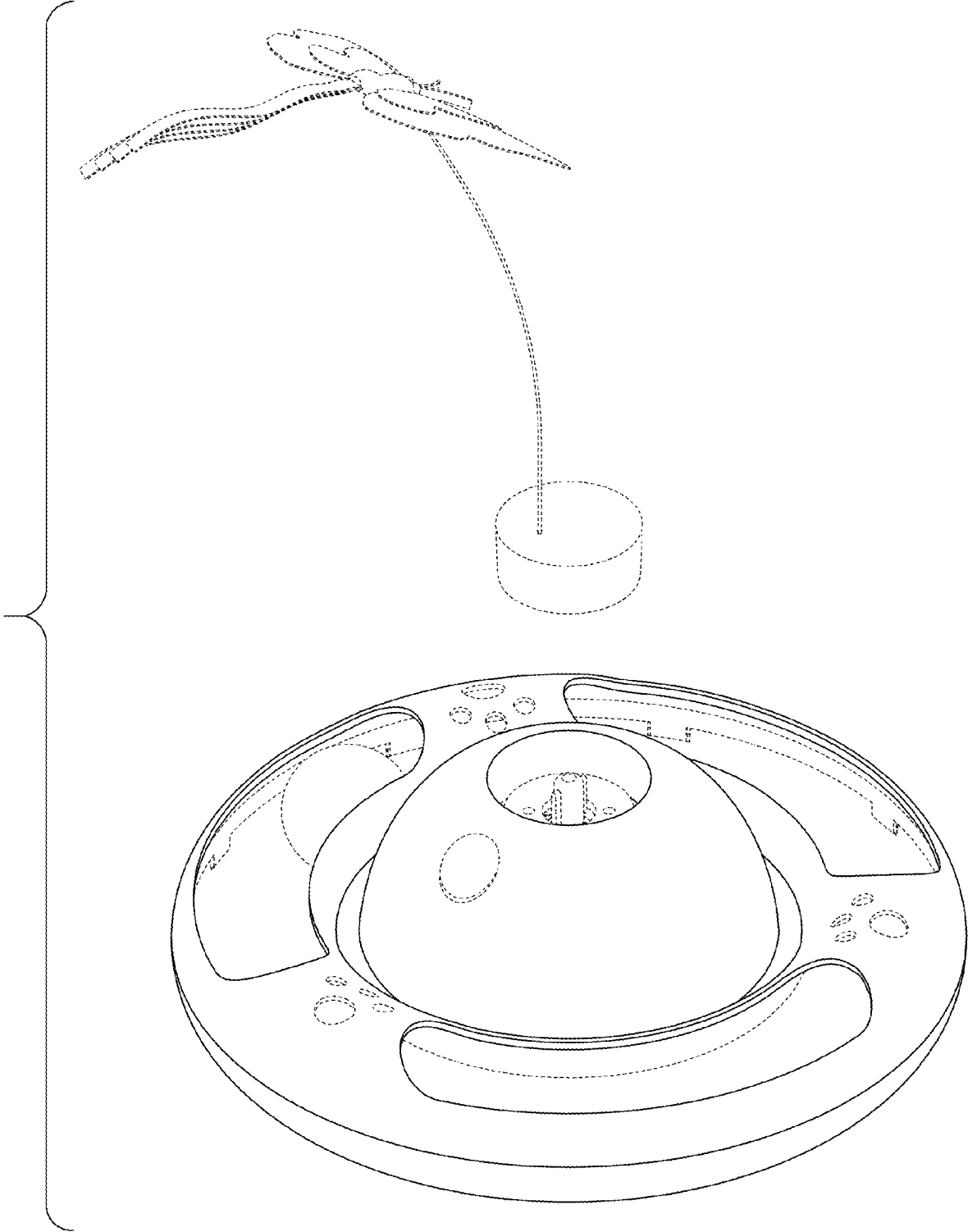


FIG. 9