



US00D683044S

(12) **United States Design Patent**
Klein et al.

(10) **Patent No.:** **US D683,044 S**

(45) **Date of Patent:** **** May 21, 2013**

(54) **COLUMN ADAPTER**

(75) Inventors: **Matthias Klein**, Böblingen (DE); **Gerd Lüdke**, Holzgerlingen (DE); **Andreas Boos**, Bondorf (DE)

(73) Assignee: **Curetis AG**, Holzgerlingen (DE)

(**) Term: **14 Years**

(21) Appl. No.: **29/409,184**

(22) Filed: **Dec. 21, 2011**

(51) **LOC (9) Cl.** **24-01**

(52) **U.S. Cl.**

USPC **D24/224**

(58) **Field of Classification Search** D24/107,
D24/216-232, 169, 186, 108; D10/81; 73/61.55;
422/68.1, 70, 400-402, 500, 502-503, 547;
435/288.1, 288.2, 288.6, 6.1, 304.1, 304.2
See application file for complete search history.

(56) **References Cited**

U.S. PATENT DOCUMENTS

4,310,488	A	*	1/1982	Rahm et al.	D24/224
D278,930	S	*	5/1985	Zaccai et al.	D24/226
4,719,011	A	*	1/1988	Shalon et al.	210/198.2
5,918,273	A	*	6/1999	Horn	73/61.55
D516,732	S	*	3/2006	Sakurai et al.	D24/216
7,708,891	B2	*	5/2010	Davis et al.	210/656
D624,194	S	*	9/2010	Pack et al.	D24/224
D627,056	S	*	11/2010	Quensel	D24/107

8,008,475	B1	*	8/2011	Bastian et al.	536/25.4
D657,473	S	*	4/2012	Miyashita et al.	D24/224
2011/0245483	A1	*	10/2011	Euting et al.	536/25.41

* cited by examiner

Primary Examiner — Wan Laymon

(74) *Attorney, Agent, or Firm* — Greer, Burns & Crain, Ltd.

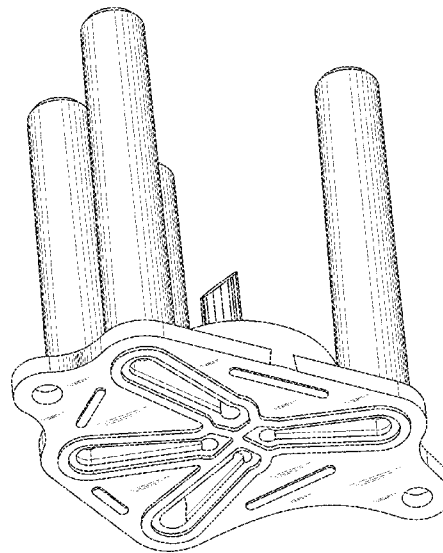
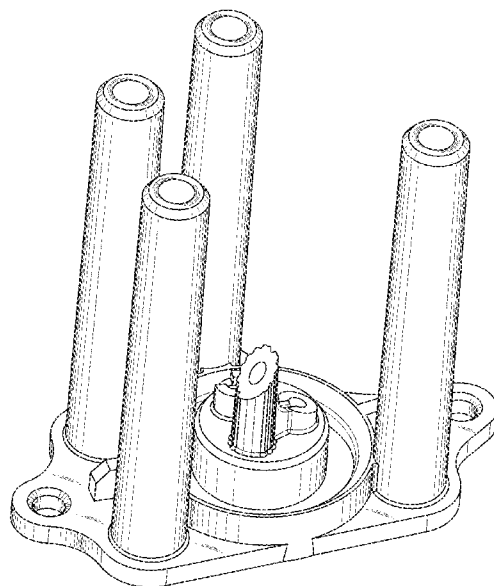
(57) **CLAIM**

The ornamental design for a column adapter, as shown and described.

DESCRIPTION

FIG. 1 is a top perspective view of the column adapter;
 FIG. 2 is a bottom perspective view thereof;
 FIG. 3 is a rear view thereof;
 FIG. 4 is a left side perspective view thereof;
 FIG. 5 is another left side perspective view thereof taken at a different angle from FIGS. 1 and 4;
 FIG. 6 is a left side view thereof;
 FIG. 7 is a right side view thereof;
 FIG. 8 is a bottom view thereof;
 FIG. 9 is a front view thereof;
 FIG. 10 is a bottom perspective view thereof taken at a different angle from FIG. 2;
 FIG. 11 is a top view thereof; and,
 FIG. 12 is a front perspective view thereof.
 The broken lines in FIG. 11 are included for the purpose of illustration portions of the column adapter that form no part of the claimed design.

1 Claim, 12 Drawing Sheets



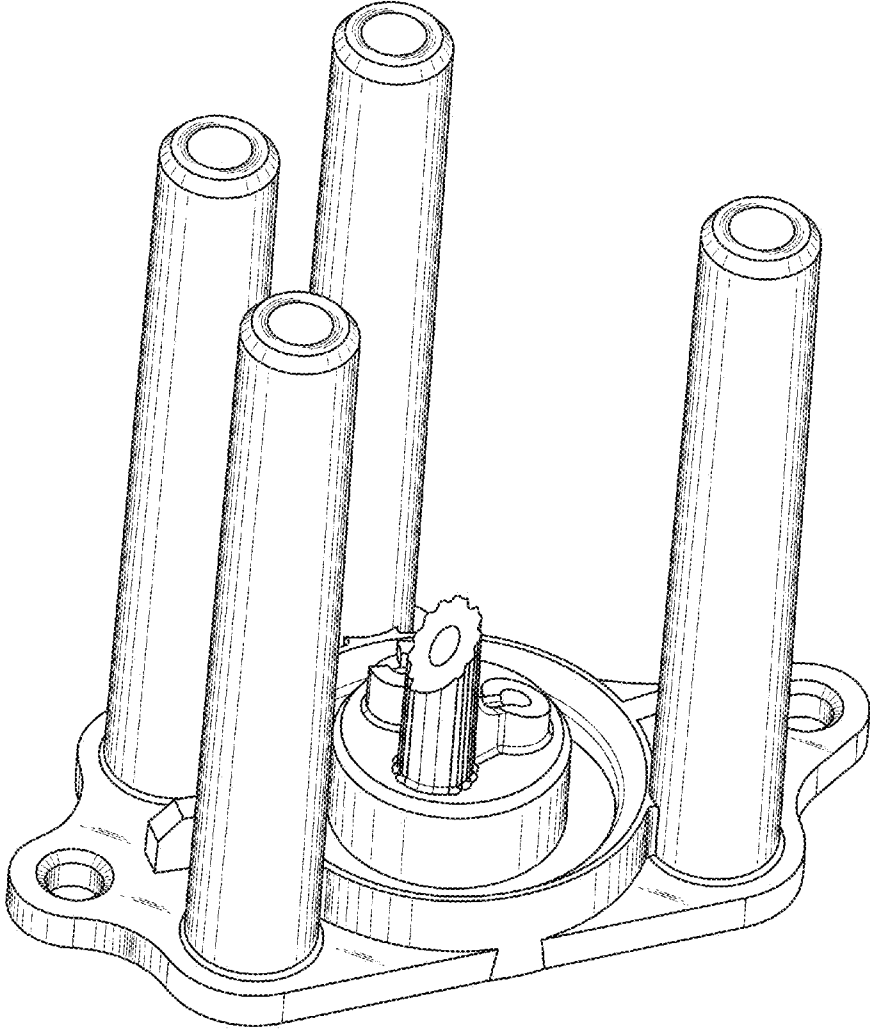


Fig. 1

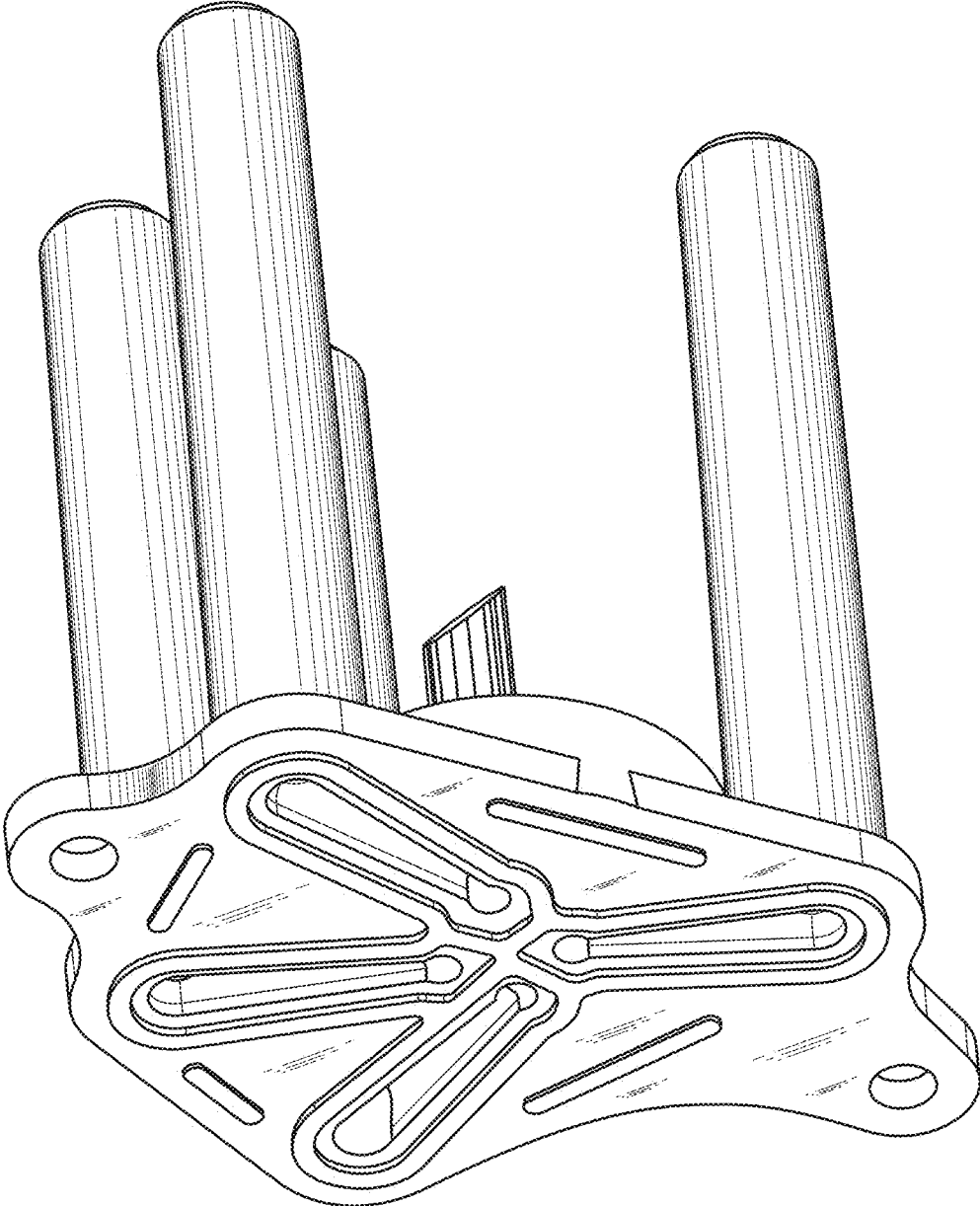


Fig. 2

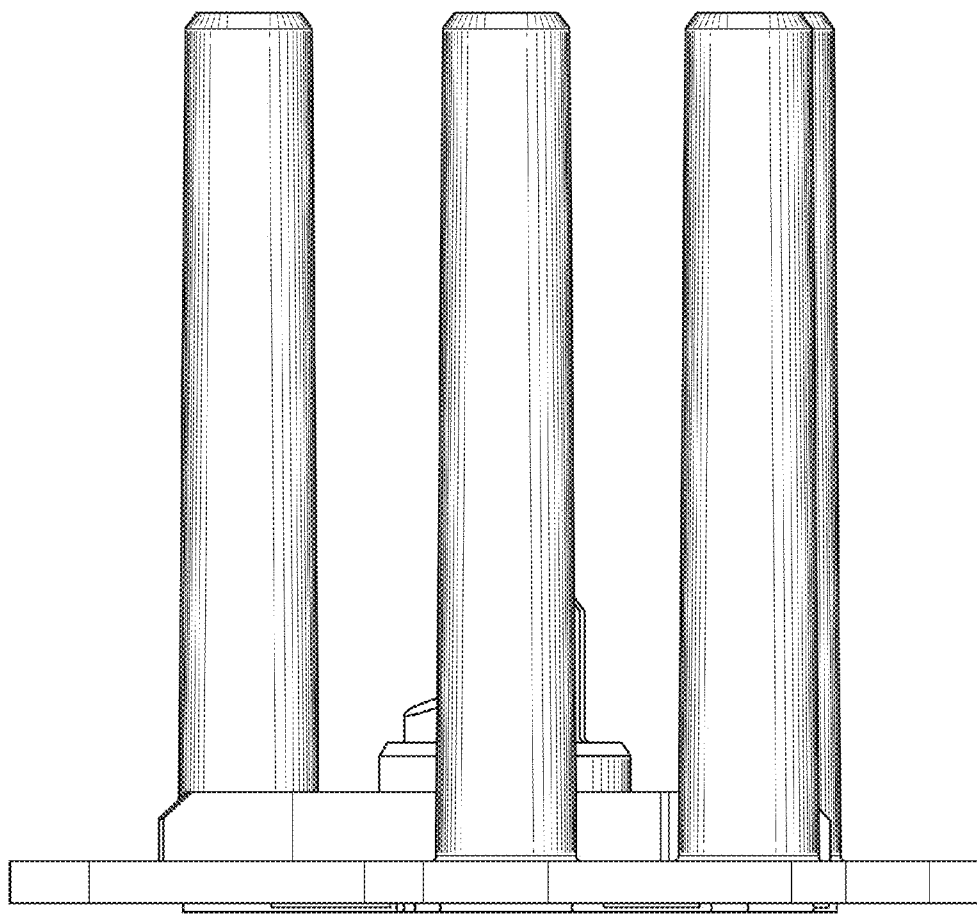


Fig. 3

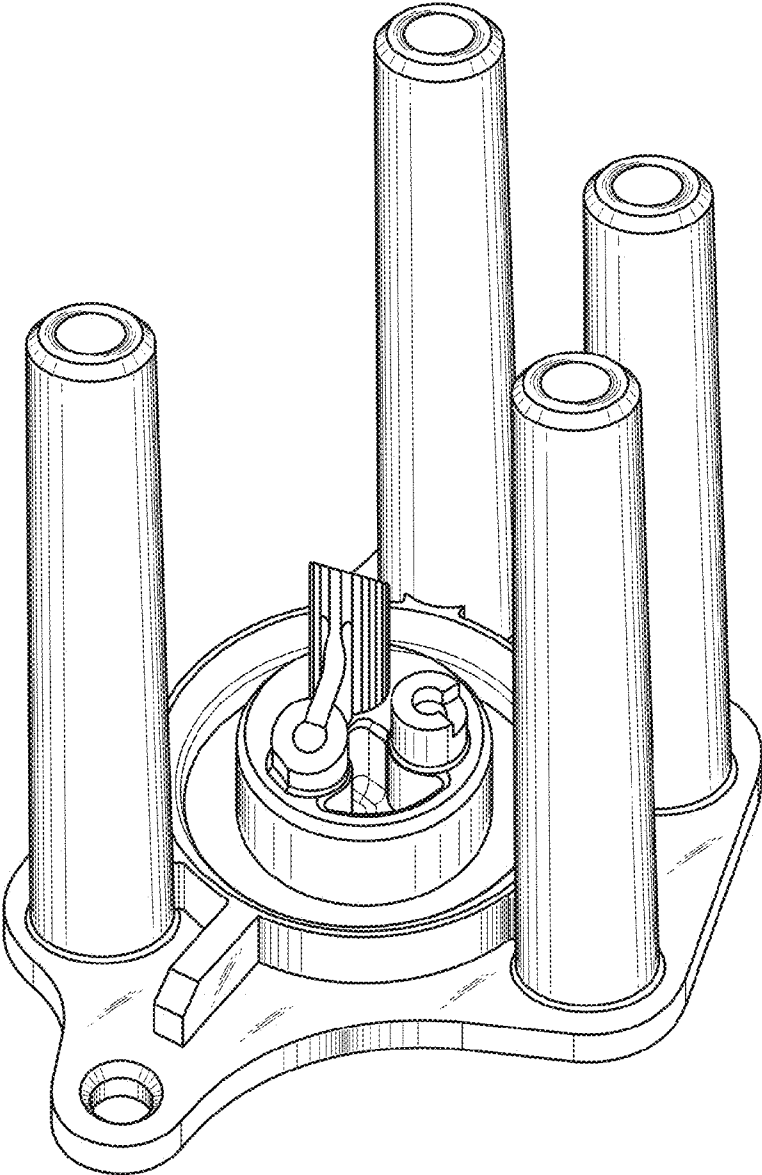


Fig. 4

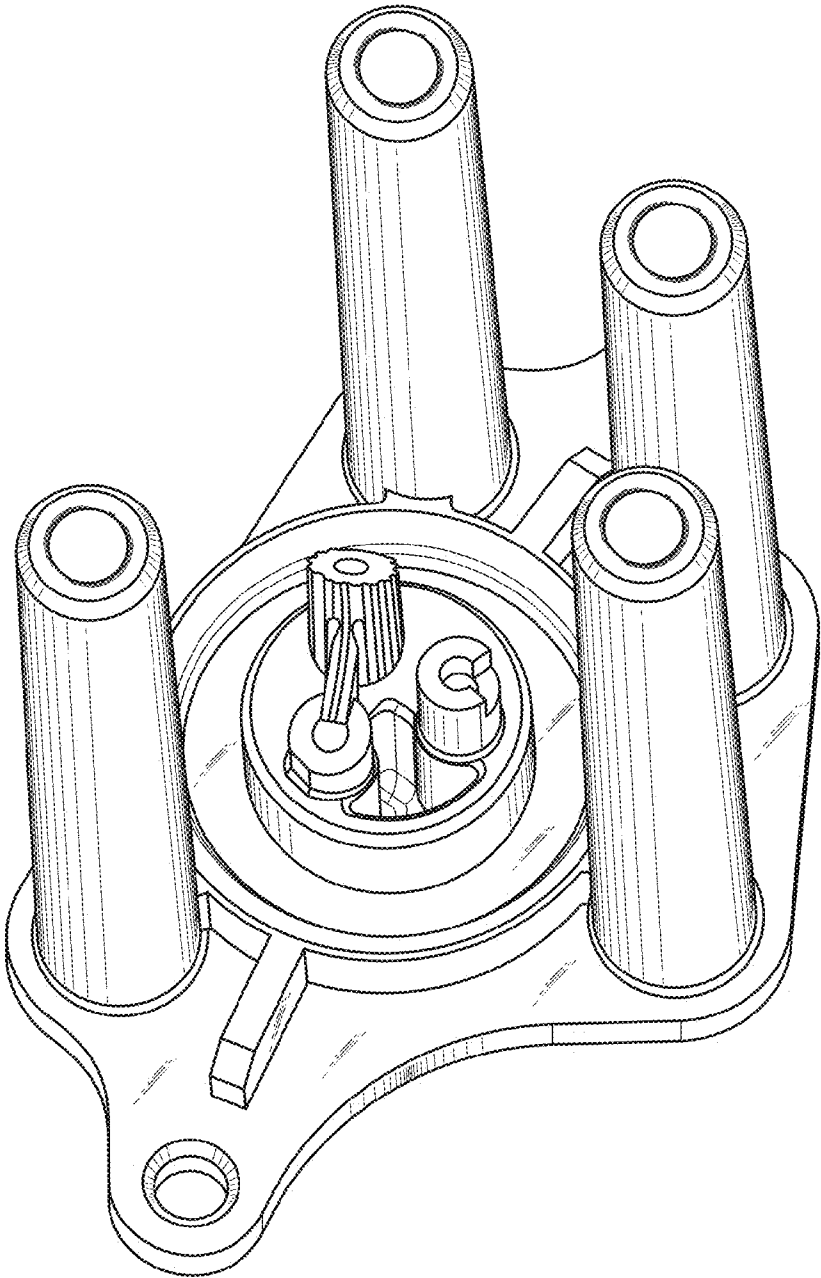


Fig. 5

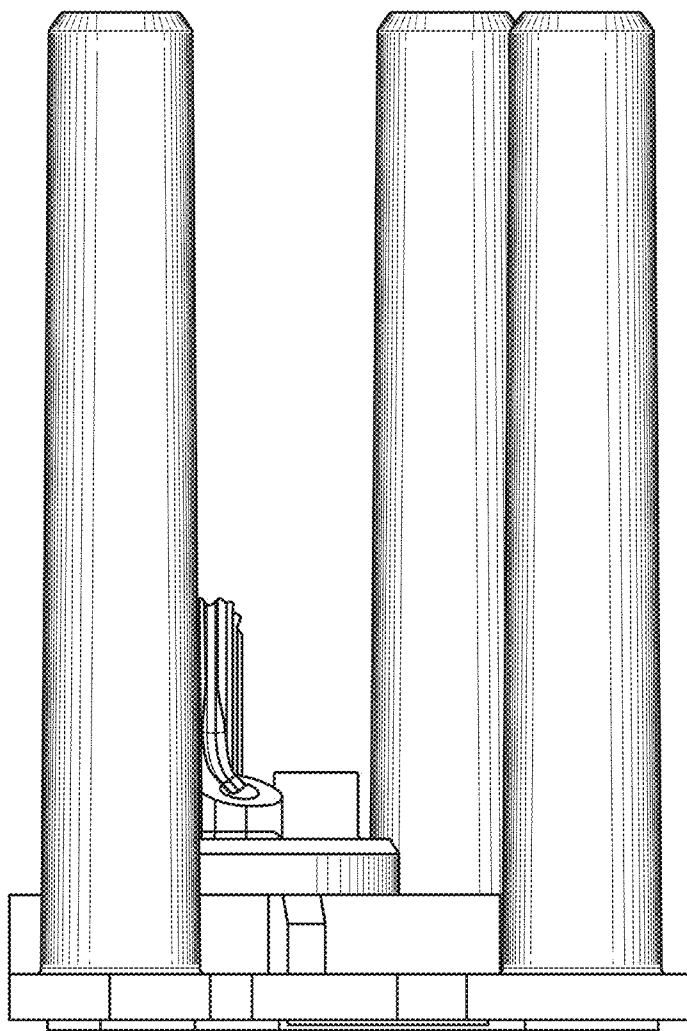


Fig. 6

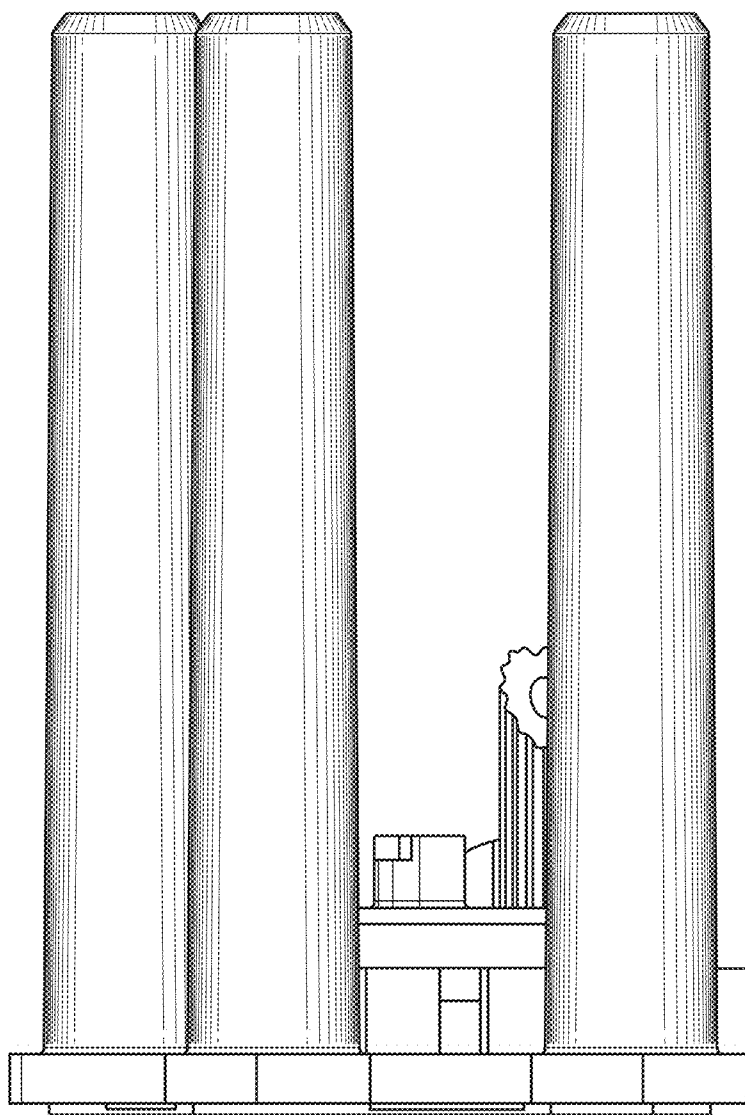


Fig. 7

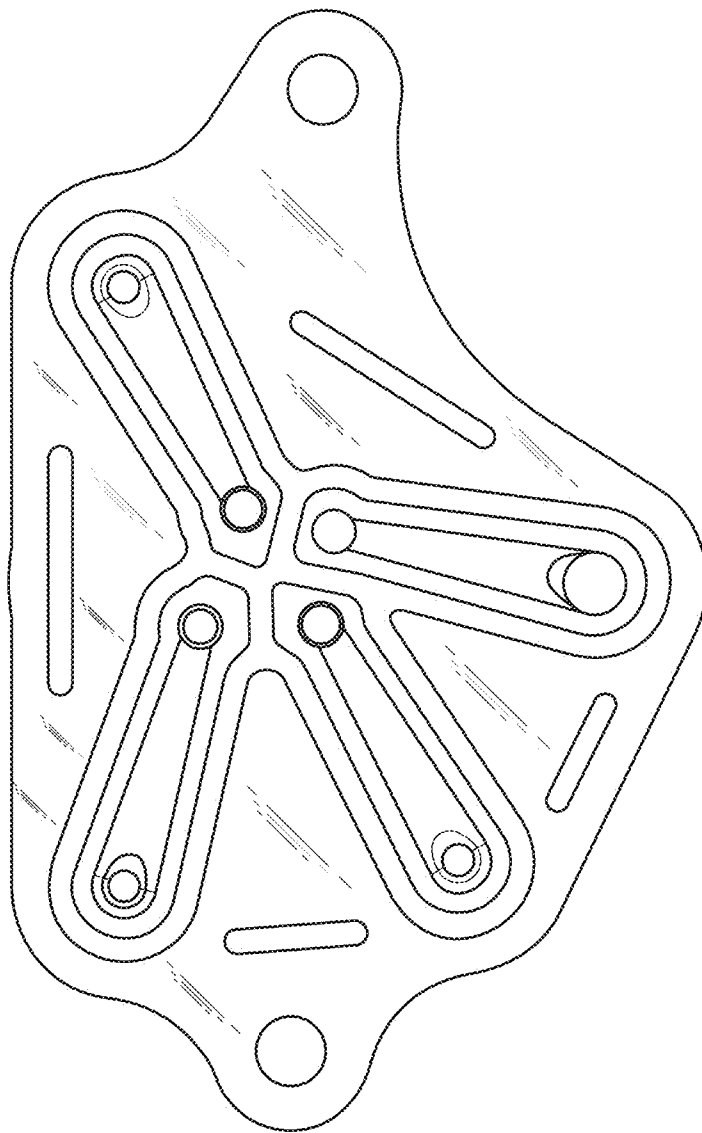


Fig. 8

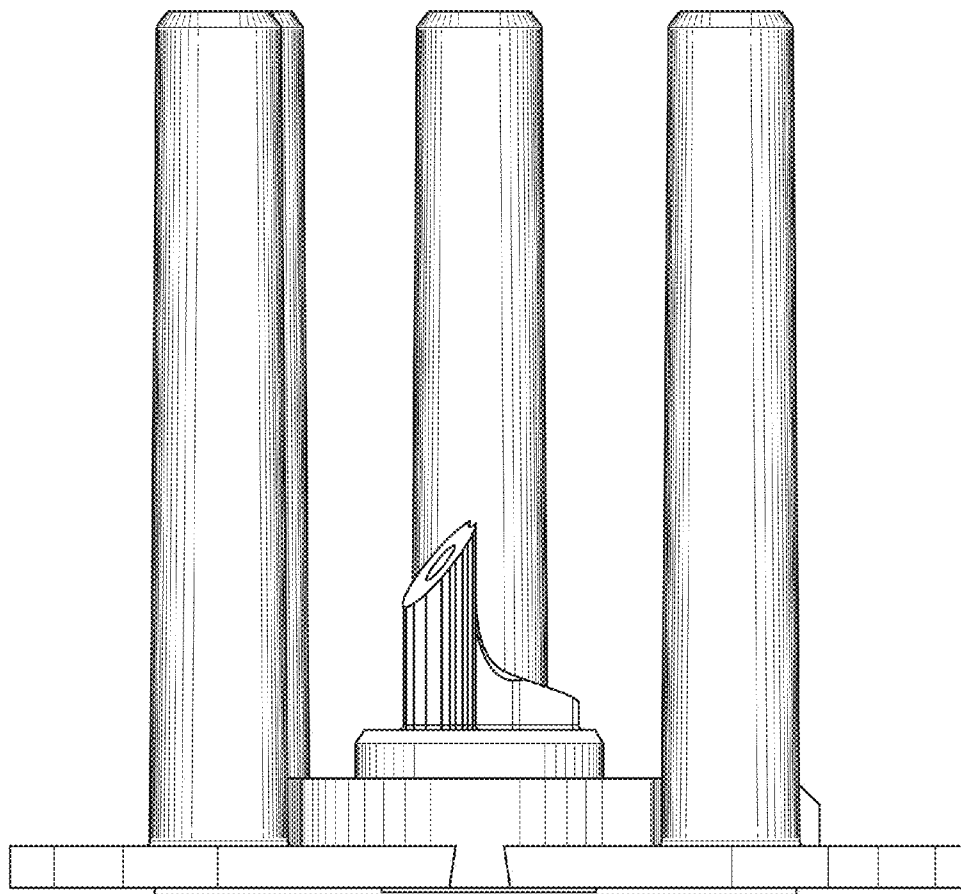


Fig. 9

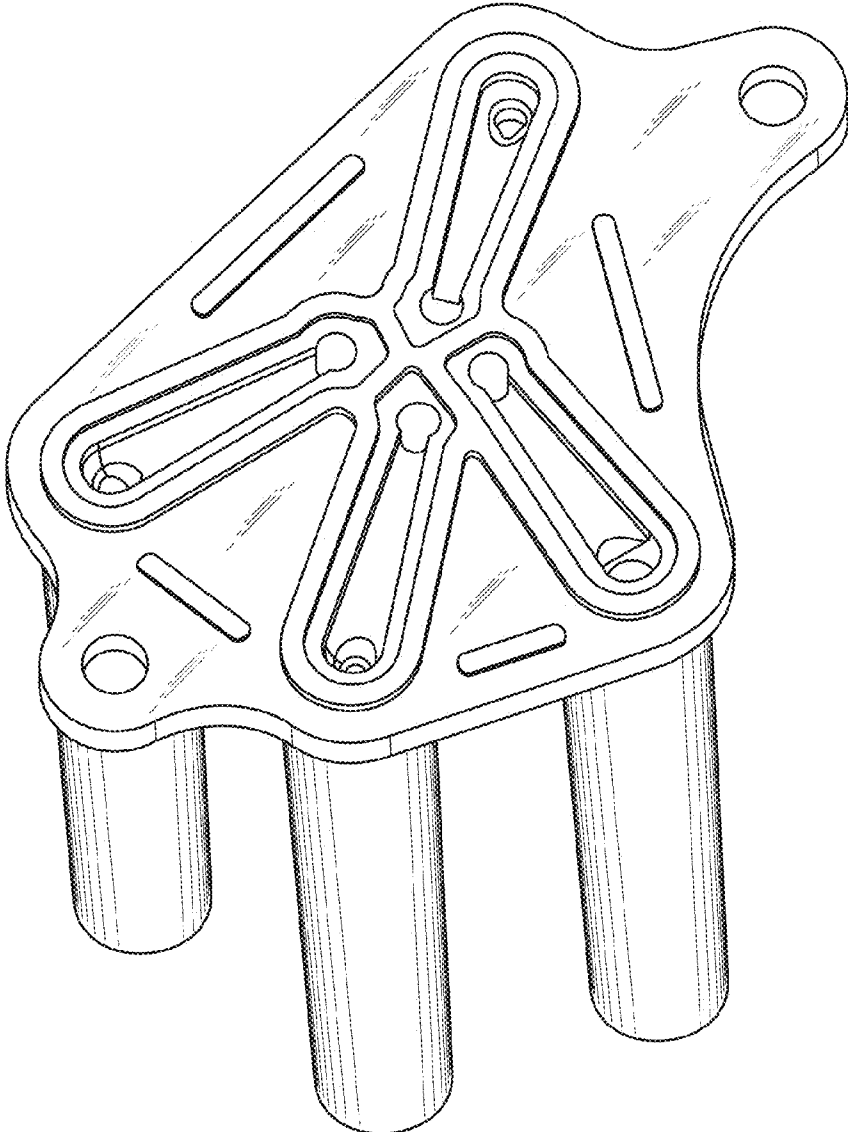


Fig. 10

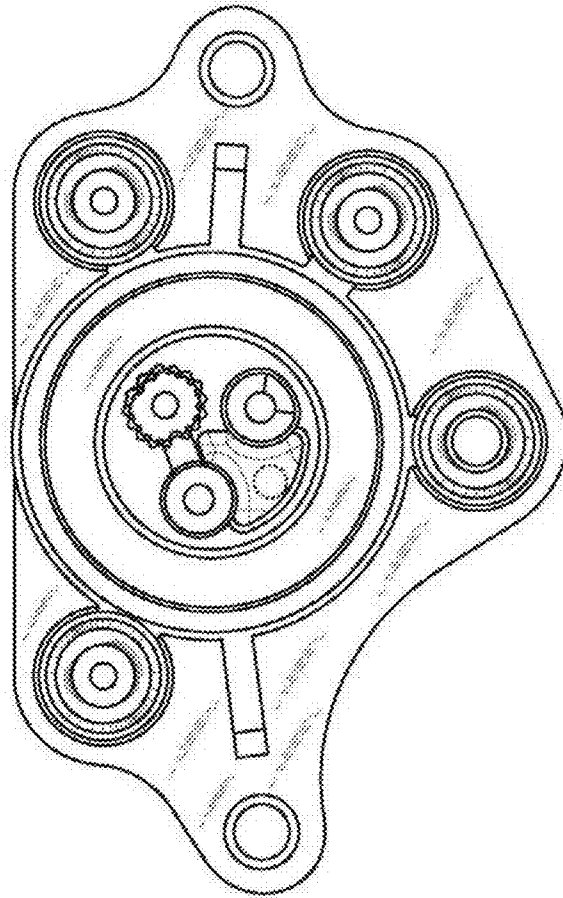


Fig. 11

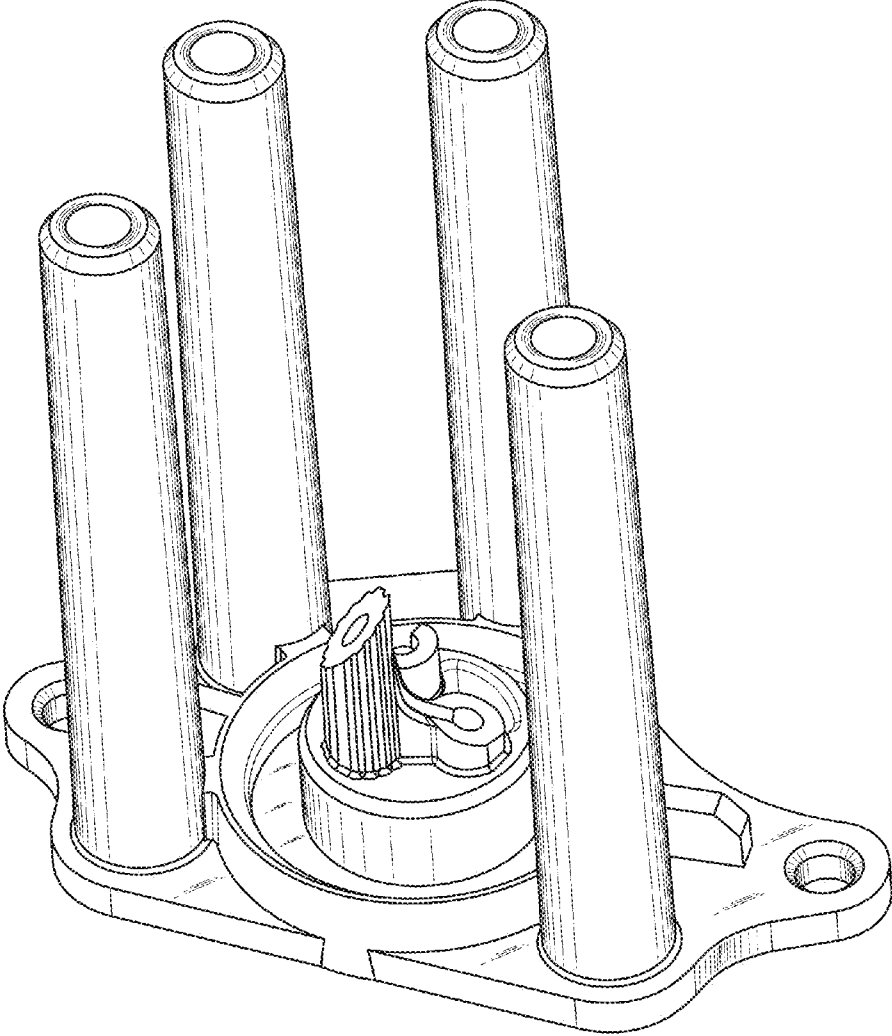


Fig. 12