



US00D985456S

(12) **United States Design Patent**  
**Thai**

(10) **Patent No.:** **US D985,456 S**

(45) **Date of Patent:** **\*\* May 9, 2023**

(54) **WHEEL**

(71) Applicant: **Wheel Pros, LLC**, Greenwood Village, CO (US)

(72) Inventor: **Alvin Thai**, Buena Park, CA (US)

(73) Assignee: **Wheel Pros, LLC**, Greenwood Village, CO (US)

(\*\*) Term: **15 Years**

(21) Appl. No.: **29/794,852**

(22) Filed: **Jun. 15, 2021**

(51) **LOC (14) Cl.** ..... **12-16**

(52) **U.S. Cl.**  
USPC ..... **D12/209**

(58) **Field of Classification Search**  
USPC ..... D12/204–213; D21/563  
CPC .... B60B 7/00; B60B 7/02; B60B 7/04; B60B 7/01; B60B 7/06; B60B 3/02; B60B 3/04; B60B 3/06; B60B 3/10; B60B 1/00; B60B 1/08; B60B 1/10; B60B 1/12  
See application file for complete search history.

D482,996 S	12/2003	Sulahian
D492,925 S	7/2004	Fitzgerald
D496,317 S	9/2004	Kataoka
D499,684 S	12/2004	Cheng
D502,438 S	3/2005	Weld
D504,859 S	5/2005	Sulahian
D505,374 S	5/2005	Aleman
D510,307 S	10/2005	Howes
D519,433 S	4/2006	Finn
D523,797 S	6/2006	Gallert
D524,212 S	7/2006	Phillips
D524,220 S	7/2006	Scheu
D524,315 S	7/2006	Reusing et al.
D528,495 S	9/2006	Truebsbach
D542,209 S	5/2007	Pfeiffer
D549,148 S	8/2007	Buschmann
D550,600 S	9/2007	Celik
D569,777 S	5/2008	Chung
D576,093 S	9/2008	Chung
D577,650 S	9/2008	Chung
D579,845 S	11/2008	Chung
D582,827 S	12/2008	Musser
D582,831 S	12/2008	Musser
D596,009 S	7/2009	Sawhney et al.
D598,357 S	8/2009	Chung
D612,316 S	3/2010	Sanschagrın
D617,723 S	6/2010	Zhao

(Continued)

*Primary Examiner* — Calvin E Vansant

(74) *Attorney, Agent, or Firm* — Eric Hanscom

(56) **References Cited**

**U.S. PATENT DOCUMENTS**

D273,102 S	3/1984	Woodward
D291,796 S	9/1987	Reid
D361,975 S	9/1995	Weld
D391,216 S	2/1998	Ballmann
D408,775 S	4/1999	Shikado
D453,492 S	2/2002	Laengerer
D453,724 S	2/2002	Hodges
D455,698 S	4/2002	Chung
D464,010 S	10/2002	Chung
D467,212 S	12/2002	Noriega
D470,094 S	2/2003	van Hooydonk
D480,036 S	9/2003	Laengerer

(57) **CLAIM**

The ornamental design for a wheel, as shown and described.

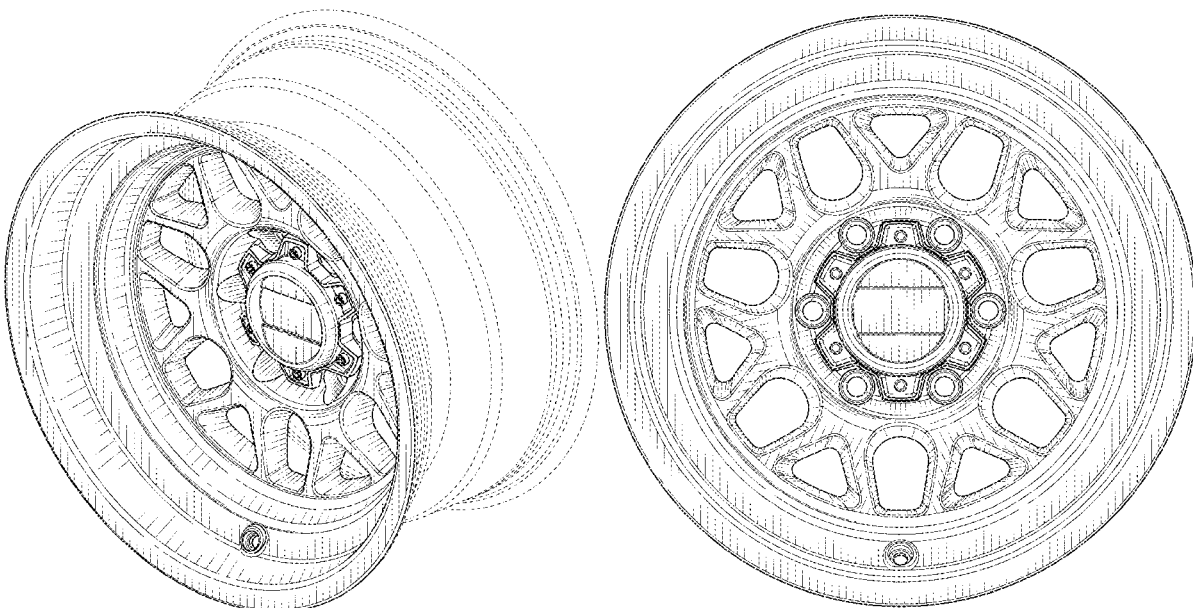
**DESCRIPTION**

FIG. 1 is a perspective view of a wheel showing my new design; and,

FIG. 2 is a front view thereof.

In the drawings, the broken lines depict portions of the wheel that form no part of the claimed design.

**1 Claim, 2 Drawing Sheets**



(56)

References Cited

U.S. PATENT DOCUMENTS

D623,109 S	9/2010	Markefka	D817,845 S	5/2018	Guidry	
D635,903 S	4/2011	Zhang	D821,284 S	6/2018	Tran	
D654,007 S	2/2012	Nissl	D822,575 S	7/2018	Chung	
D654,420 S	2/2012	Guay	D824,314 S	7/2018	Chung	
D660,771 S	5/2012	Mueller-Stolz	D824,315 S	* 7/2018	Tran	D12/209
D669,009 S	10/2012	Chung	D824,316 S	7/2018	Tran	
D680,938 S	4/2013	Hale	D826,819 S	* 8/2018	Chung	D12/209
D686,961 S	7/2013	Chung	D826,827 S	8/2018	Tran	
D695,182 S	* 12/2013	Chung	D829,152 S	9/2018	Caldwell	
D695,193 S	12/2013	Kong	D833,360 S	11/2018	Kong	
D698,298 S	1/2014	Cortes	D835,022 S	12/2018	Kong	
D698,300 S	1/2014	Chung	D835,023 S	12/2018	Tran	
D702,172 S	4/2014	Chung	D838,223 S	1/2019	Chung	
D704,117 S	5/2014	Chung	D840,900 S	2/2019	Lickliter	
D704,617 S	5/2014	Chung	D840,901 S	2/2019	Lickliter	
D706,197 S	6/2014	Chung	D840,902 S	2/2019	Lickliter	
D707,167 S	6/2014	Chung	D842,186 S	3/2019	Kong	
D709,020 S	7/2014	Chung	D845,861 S	4/2019	Tran	
D711,304 S	8/2014	Chung	D849,655 S	5/2019	Kong	
D713,316 S	9/2014	Song	D849,657 S	5/2019	Kong	
D714,207 S	9/2014	Kim	D850,349 S	6/2019	Lickliter	
D717,709 S	11/2014	Valencia Pollex	D852,706 S	7/2019	Tran	
D719,893 S	12/2014	Kim	D860,899 S	9/2019	Lickliter	
D731,946 S	6/2015	Chung	D860,900 S	9/2019	Lickliter	
D742,293 S	11/2015	Chung	D860,901 S	9/2019	Lickliter	
D753,046 S	4/2016	Liffick	D862,341 S	10/2019	Kong	
D754,045 S	* 4/2016	Chung	D893,386 S	8/2020	Chung	
D756,882 S	5/2016	Tirado	D896,729 S	9/2020	Chung	
D758,276 S	6/2016	Lickliter	D897,926 S	10/2020	Chung	
D766,805 S	9/2016	Chung	D899,999 S	10/2020	Kong	
D769,785 S	10/2016	Wells	D904,271 S	12/2020	Henderson	
D780,655 S	3/2017	Trim	D904,272 S	12/2020	Lickliter	
D791,036 S	* 7/2017	Owens	D904,963 S	12/2020	Hale, Jr.	
D798,786 S	10/2017	Chung	D909,272 S	2/2021	Chung	
D798,789 S	10/2017	Kong	D910,525 S	2/2021	Tran	
D799,395 S	10/2017	Chung	D911,245 S	2/2021	Chung	
D800,630 S	10/2017	Tran	D912,589 S	3/2021	Hale, Jr.	
D800,633 S	10/2017	Kong	D912,591 S	3/2021	Tran	
D802,512 S	11/2017	Kong	D918,810 S	5/2021	Lickliter	
D805,454 S	12/2017	Kong	D922,928 S	6/2021	Kong	
D805,455 S	12/2017	Kong	D927,386 S	8/2021	Lickliter	
D807,805 S	1/2018	Caldwell	D934,146 S	* 10/2021	Tran	D12/209
D808,876 S	1/2018	Caldwell	D937,170 S	* 11/2021	Tran	D12/209
			D937,171 S	* 11/2021	Henderson	D12/209
			D940,039 S	* 1/2022	Han	D12/209

\* cited by examiner

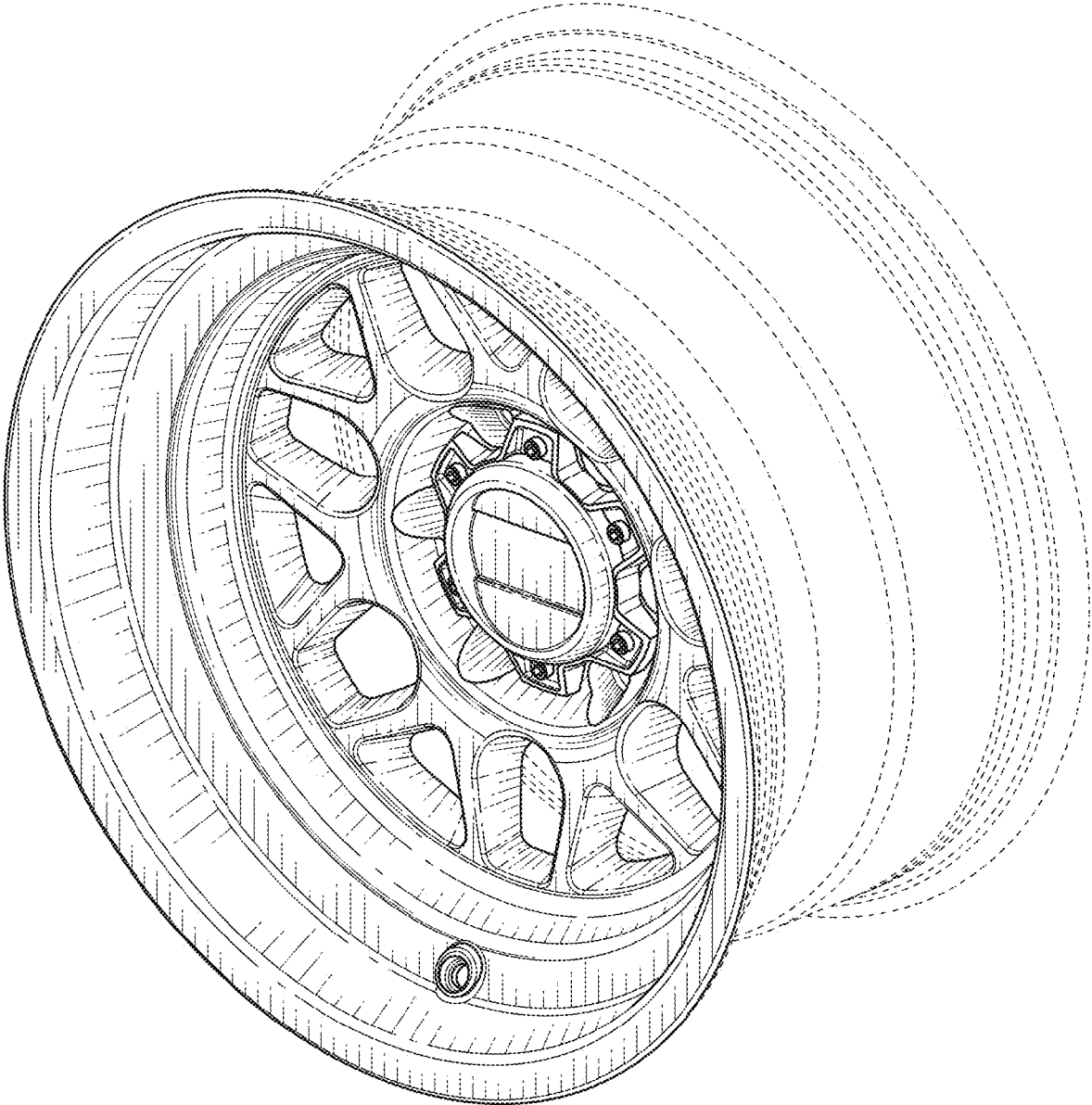


FIG. 1

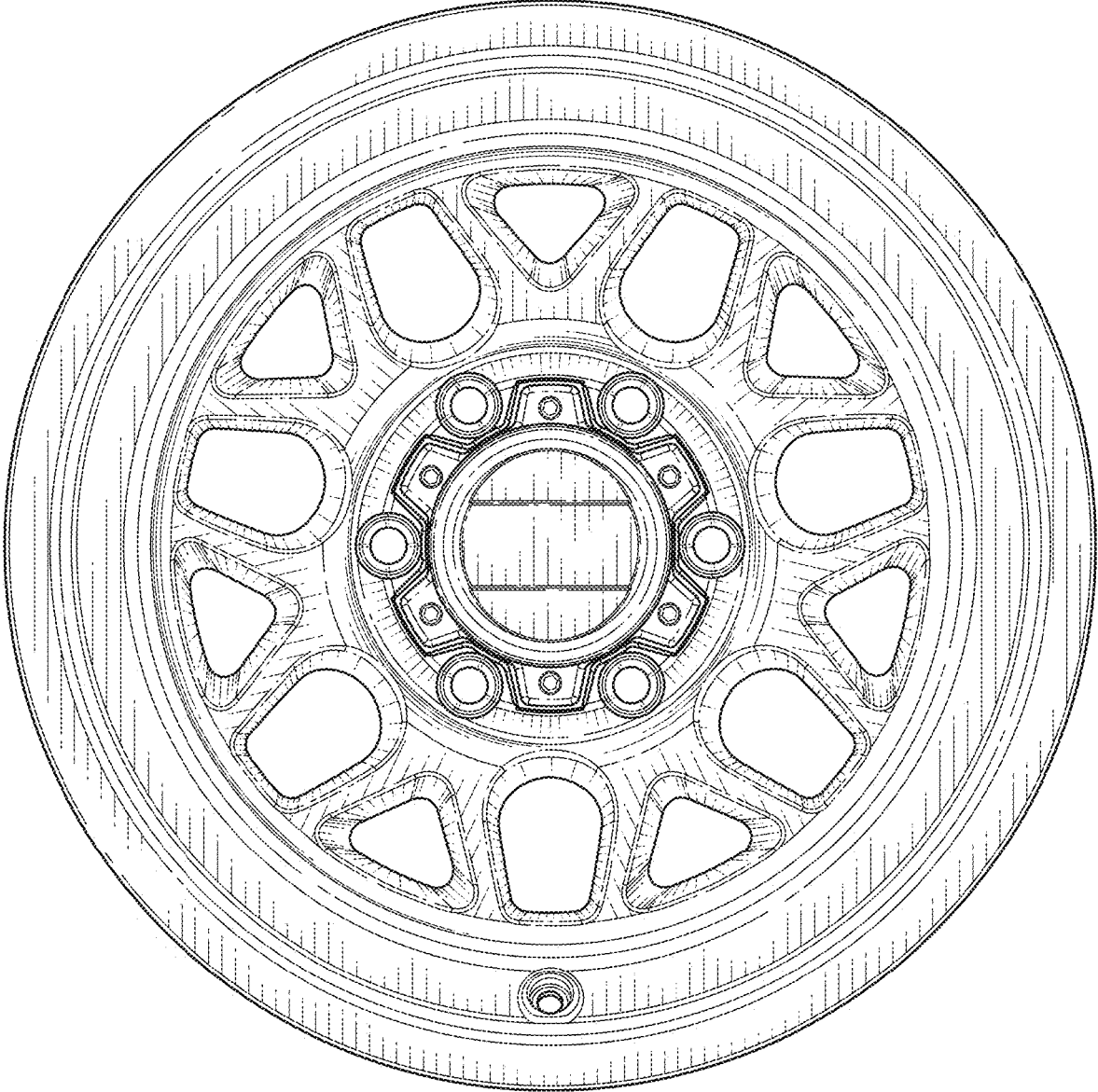


FIG. 2