

(19) World Intellectual Property Organization
International Bureau



(43) International Publication Date
1 December 2005 (01.12.2005)

PCT

(10) International Publication Number
WO 2005/114835 A3

(51) International Patent Classification⁷: **F04B 1/00**

(21) International Application Number:
PCT/US2005/018142

(22) International Filing Date: 23 May 2005 (23.05.2005)

(25) Filing Language: English

(26) Publication Language: English

(30) Priority Data:
60/573,250 21 May 2004 (21.05.2004) US
60/652,694 14 February 2005 (14.02.2005) US

(71) Applicant and

(72) Inventor: **LUND, Morten, A.** [US/US]; 400 North Myers Street, No. 41, Oceanside, CA 92054 (US).

(74) Agent: **SARTAIN, Jeromye, V.**; Mind Law Firm, 3140 Red Hill Avenue, Suite 150, Costa Mesa, CA 92626 (US).

(81) Designated States (unless otherwise indicated, for every kind of national protection available): AE, AG, AL, AM, AT, AU, AZ, BA, BB, BG, BR, BW, BY, BZ, CA, CH, CN,

CO, CR, CU, CZ, DE, DK, DM, DZ, EC, EE, EG, ES, FI, GB, GD, GE, GH, GM, HR, HU, ID, IL, IN, IS, JP, KE, KG, KM, KP, KR, KZ, LC, LK, LR, LS, LT, LU, LV, MA, MD, MG, MK, MN, MW, MX, MZ, NA, NG, NI, NO, NZ, OM, PG, PH, PL, PT, RO, RU, SC, SD, SE, SG, SK, SL, SM, SY, TJ, TM, TN, TR, TT, TZ, UA, UG, US, UZ, VC, VN, YU, ZA, ZM, ZW.

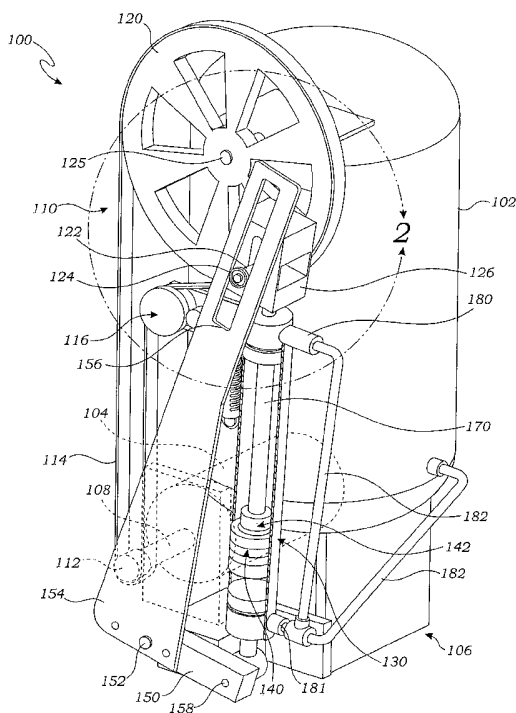
(84) Designated States (unless otherwise indicated, for every kind of regional protection available): ARIPO (BW, GH, GM, KE, LS, MW, MZ, NA, SD, SL, SZ, TZ, UG, ZM, ZW), Eurasian (AM, AZ, BY, KG, KZ, MD, RU, TJ, TM), European (AT, BE, BG, CH, CY, CZ, DE, DK, EE, ES, FI, FR, GB, GR, HU, IE, IS, IT, LT, LU, MC, NL, PL, PT, RO, SE, SI, SK, TR), OAPI (BF, BJ, CF, CG, CI, CM, GA, GN, GQ, GW, ML, MR, NE, SN, TD, TG).

Declaration under Rule 4.17:
— of inventorship (Rule 4.17(iv)) for US only

Published:
— with international search report

[Continued on next page]

(54) Title: AIR COMPRESSION APPARATUS AND METHOD OF USE



(57) Abstract: An air compression apparatus has a frame, a tank, and a motor. A drive mechanism is operably connected to the motor and at least one piston assembly is operably connected to the drive mechanism and configured to move within a respective cylinder mounted to the frame. The piston assembly includes: (1) a piston body; (2) a piston rod having a hollow bore connected at one end to the drive mechanism and at an opposite end to the piston body; and (3) a piston valve installed on the piston body. In use, upward travel of the piston body as caused by the drive mechanism acting through the piston rod opens the piston valve and allows ambient air to be drawn through the hollow bore into the cylinder, and downward travel of the piston body closes the piston valve so as to compress the air within the cylinder.

WO 2005/114835 A3



— *before the expiration of the time limit for amending the claims and to be republished in the event of receipt of amendments*

For two-letter codes and other abbreviations, refer to the "Guidance Notes on Codes and Abbreviations" appearing at the beginning of each regular issue of the PCT Gazette.

(88) Date of publication of the international search report:

9 March 2006

INTERNATIONAL SEARCH REPORT

International application No.

PCT/US05/18142

A. CLASSIFICATION OF SUBJECT MATTER IPC(7) : F04B 1/00 US CL : 417/524 According to International Patent Classification (IPC) or to both national classification and IPC		
B. FIELDS SEARCHED Minimum documentation searched (classification system followed by classification symbols) U.S. : 417/524, 526, 527, 528; 91/399; 92/118, 117R, 85B Documentation searched other than minimum documentation to the extent that such documents are included in the fields searched Electronic data base consulted during the international search (name of data base and, where practicable, search terms used)		
C. DOCUMENTS CONSIDERED TO BE RELEVANT		
Category *	Citation of document, with indication, where appropriate, of the relevant passages	Relevant to claim No.
A A A A	US 2,963,217 A (WYSONG) 6 December 1960 (06.12.1960), the whole document. US 3,694,111 A (BRAUN) 26 September 1972 (26.09.1972), column 2, lines 62-68, column 3, lines 1-68, column 4, lines 1-68, column 5, lines 1-15 US 3,800,675 A (JACOBS) 2 April 1974 (02.04.1974), the whole document. US 6,200,110 B1 (CHOU) 13 March 2001 (13.03.2001), the whole document.	1-45 37-45 37-45 37-45
<input type="checkbox"/> Further documents are listed in the continuation of Box C. <input type="checkbox"/> See patent family annex.		
* Special categories of cited documents:		
"A" document defining the general state of the art which is not considered to be of particular relevance	"T" later document published after the international filing date or priority date and not in conflict with the application but cited to understand the principle or theory underlying the invention	
"E" earlier application or patent published on or after the international filing date	"X" document of particular relevance; the claimed invention cannot be considered novel or cannot be considered to involve an inventive step when the document is taken alone	
"L" document which may throw doubts on priority claim(s) or which is cited to establish the publication date of another citation or other special reason (as specified)	"Y" document of particular relevance; the claimed invention cannot be considered to involve an inventive step when the document is combined with one or more other such documents, such combination being obvious to a person skilled in the art	
"O" document referring to an oral disclosure, use, exhibition or other means	"&" document member of the same patent family	
"P" document published prior to the international filing date but later than the priority date claimed		
Date of the actual completion of the international search 04 November 2005 (04.11.2005)	Date of mailing of the international search report <div style="text-align: center; font-weight: bold; font-size: 1.2em;">11 JAN 2006</div>	
Name and mailing address of the ISA/US Mail Stop PCT, Attn: ISA/US Commissioner for Patents P.O. Box 1450 Alexandria, Virginia 22313-1450 Facsimile No. (703) 305-3230	Authorized officer <div style="text-align: center;"> Edward Look Telephone No. 272 4820 </div>	