

CORRECTED VERSION

(19) World Intellectual Property Organization International Bureau



(10) International Publication Number WO 2015/100167 A8

(43) International Publication Date 2 July 2015 (02.07.2015)

- (51) International Patent Classification: H04W 12/08 (2009.01)
(21) International Application Number: PCT/US2014/071525
(22) International Filing Date: 19 December 2014 (19.12.2014)
(25) Filing Language: English
(26) Publication Language: English
(30) Priority Data: 61/920,116 23 December 2013 (23.12.2013) US
(63) Related by continuation (CON) or continuation-in-part (CIP) to earlier application: US 61/920,116 (CON) Filed on 23 December 2013 (23.12.2013)
(71) Applicant: ASSA ABLOY, INC. [US/US]; 110 Sargent Drive, New Haven, CT 06511 (US).
(72) Inventor: LOWDER, Scott, B.; 7 Putting Green Lane, Orange, CT 06477 (US).
(74) Agents: DELIO, Anthony, P. et al.; Delio, Peterson & Curcio, LLC, 700 State Street, Suite 402, New Haven, CT 06511 (US).
(81) Designated States (unless otherwise indicated, for every kind of national protection available): AE, AG, AL, AM, AO, AT, AU, AZ, BA, BB, BG, BH, BN, BR, BW, BY, BZ, CA, CH, CL, CN, CO, CR, CU, CZ, DE, DK, DM, DO, DZ, EC, EE, EG, ES, FI, GB, GD, GE, GH, GM, GT, HN, HR, HU, ID, IL, IN, IR, IS, JP, KE, KG, KN, KP, KR,

KZ, LA, LC, LK, LR, LS, LU, LY, MA, MD, ME, MG, MK, MN, MW, MX, MY, MZ, NA, NG, NI, NO, NZ, OM, PA, PE, PG, PH, PL, PT, QA, RO, RS, RU, RW, SA, SC, SD, SE, SG, SK, SL, SM, ST, SV, SY, TH, TJ, TM, TN, TR, TT, TZ, UA, UG, US, UZ, VC, VN, ZA, ZM, ZW.

(84) Designated States (unless otherwise indicated, for every kind of regional protection available): ARIPO (BW, GH, GM, KE, LR, LS, MW, MZ, NA, RW, SD, SL, ST, SZ, TZ, UG, ZM, ZW), Eurasian (AM, AZ, BY, KG, KZ, RU, TJ, TM), European (AL, AT, BE, BG, CH, CY, CZ, DE, DK, EE, ES, FI, FR, GB, GR, HR, HU, IE, IS, IT, LT, LU, LV, MC, MK, MT, NL, NO, PL, PT, RO, RS, SE, SI, SK, SM, TR), OAPI (BF, BJ, CF, CG, CI, CM, GA, GN, GQ, GW, KM, ML, MR, NE, SN, TD, TG).

Declarations under Rule 4.17:

- as to applicant's entitlement to apply for and be granted a patent (Rule 4.17(ii))
— as to the applicant's entitlement to claim the priority of the earlier application (Rule 4.17(iii))
— of inventorship (Rule 4.17(iv))

Published:

- with international search report (Art. 21(3))

(48) Date of publication of this corrected version:

18 August 2016

(15) Information about Correction: see Notice of 18 August 2016

(54) Title: METHOD FOR UTILIZING A WIRELESS CONNECTION TO UNLOCK AN OPENING

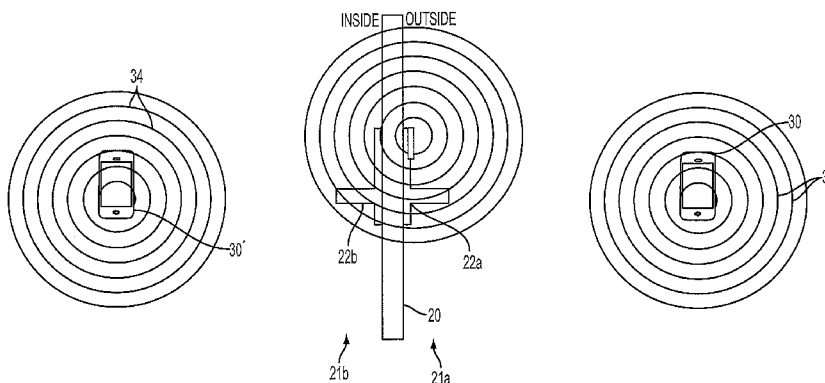


FIG. 1

(57) Abstract: A method of operating a lock from a portable remote device includes sending a radio frequency identification signal from the portable remote device to a controller for the lock, and receiving the radio frequency identification signal at the lock controller and identifying the remote device as an authorized user of the lock. The method then includes sending a sound frequency identification signal from the portable remote device to the lock controller, receiving the sound frequency identification signal at the lock controller and identifying the remote device as an authorized user of the lock. The method further includes authorizing operation of the lock in accordance with the radio or sound frequency identification signal from the portable remote device.

WO 2015/100167 A8