

(19) World Intellectual Property Organization  
International Bureau



(43) International Publication Date  
4 December 2008 (04.12.2008)

PCT

(10) International Publication Number  
WO 2008/144856 A3

(51) International Patent Classification:  
H05K 7/20 (2006.01) F28F 7/00 (2006.01)  
H01L 23/34 (2006.01)

(21) International Application Number:  
PCT/BR2007/000129

(22) International Filing Date: 30 May 2007 (30.05.2007)

(25) Filing Language: English

(26) Publication Language: English

(71) Applicant (for all designated States except US): TECHIN-VEST LTDA [BR/BR]; Rua Américo Brasiliense, 2444 1st Floor, Chácara Santo Antônio, CEP:04715-004, São Paulo, SP (BR).

(72) Inventor; and

(75) Inventor/Applicant (for US only): MACEDO, Milton Flavio de [BR/BR]; Rua do Retiro, 1371 - Bioco 03 - APT 64, CEP:13209-001, Jundiaí, SP (BR).

(74) Agent: MOREIRA, Aguinaldo; Rua Bela Cintra, 299 - 3rd Floor, CEP:01415-900 São Paulo, SP (BR).

(81) Designated States (unless otherwise indicated, for every kind of national protection available): AE, AG, AL, AM, AT, AU, AZ, BA, BB, BG, BH, BR, BW, BY, BZ, CA, CH, CN, CO, CR, CU, CZ, DE, DK, DM, DO, DZ, EC, EE, EG, ES, FI, GB, GD, GE, GH, GM, GT, HN, HR, HU, ID, IL, IN, IS, JP, KE, KG, KM, KN, KP, KR, KZ, LA, LC, LK, LR, LS, LT, LU, LY, MA, MD, MG, MK, MN, MW, MX, MY, MZ, NA, NG, NI, NO, NZ, OM, PG, PH, PL, PT, RO, RS, RU, SC, SD, SE, SG, SK, SL, SM, SV, SY, TJ, TM, TN, TR, TT, TZ, UA, UG, US, UZ, VC, VN, ZA, ZM, ZW.

(84) Designated States (unless otherwise indicated, for every kind of regional protection available): ARIPO (BW, GH, GM, KE, LS, MW, MZ, NA, SD, SL, SZ, TZ, UG, ZM, ZW), Eurasian (AM, AZ, BY, KG, KZ, MD, RU, TJ, TM), European (AT, BE, BG, CH, CY, CZ, DE, DK, EE, ES, FI, FR, GB, GR, HU, IE, IS, IT, LT, LU, LV, MC, MT, NL, PL, PT, RO, SE, SI, SK, TR), OAPI (BF, BJ, CF, CG, CI, CM, GA, GN, GQ, GW, ML, MR, NE, SN, TD, TG).

Published:

— with international search report

(88) Date of publication of the international search report:  
2 April 2009

(54) Title: CONSTRUCTIVE DISPOSITION IN HOUSING FOR THE HEAT DISSIPATION SYSTEM AND COMPONENT INSTALLATION IN ELECTRIC-ELECTRONIC APPLIANCES

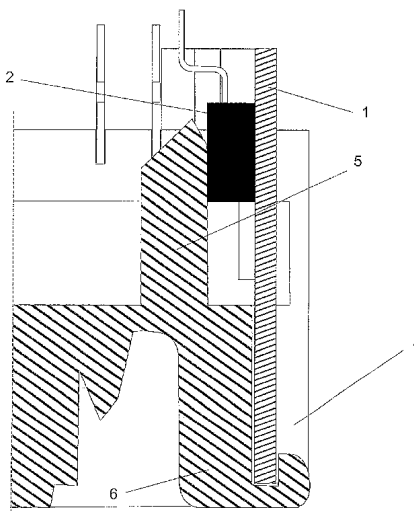


FIG.7  
DET. B-B

(57) Abstract: Constructive disposition in housing for the heat dissipation system and component installation in electric-electronic appliances, formed from a housing (7), specially developed along one of the faces (6) of the cabinet (4) for electric-electronic appliances to receive the introduction of a dissipating board (1) serving as interface between the cabinet internal and external part (4), forming a passage of thermal energy which shall conduct the heat inside out, so as to create an environment favorable to the working of the already housed electronic components, avoiding also the entrance of water, dust and other waste; and that, through a wedge boss (5) of one support incorporated vertically in the cabinet internal part (4), in a studied distance of the dissipating board (1), the semi- conductors (2) upon its introduction, shall be positioned on the printed circuit board (3) pressed, duly locked.



WO 2008/144856 A3

# INTERNATIONAL SEARCH REPORT

International application No.

PCT/BR07/00129

**A. CLASSIFICATION OF SUBJECT MATTER**  
**IPC:**       **H05K 7/20**( 2006.01)  
               **H01L 23/34**( 2006.01);**F28F 7/00**( 2006.01)

**USPC:**       361/711,715,709,719;257/719;165/80.2,185;174/16.1,16.3

According to International Patent Classification (IPC) or to both national classification and IPC

**B. FIELDS SEARCHED**

Minimum documentation searched (classification system followed by classification symbols)  
 U.S. : 361/704,707,709,711,717-719; 165/80.2,185; 174/16.1,16.3

Documentation searched other than minimum documentation to the extent that such documents are included in the fields searched

Electronic data base consulted during the international search (name of data base and, where practicable, search terms used)

**C. DOCUMENTS CONSIDERED TO BE RELEVANT**

Category *	Citation of document, with indication, where appropriate, of the relevant passages	Relevant to claim No.
X	US 2007/0053164 (Goemmel et al.) 8 March 2007 (08.03.2007) [0012 - 0017]	1-3
X	US 7,190,589 (Caines et al.) 13 March 2007 (13.03.2007) Figs 6-8, Col 6, Line 33 - Col 8, Line 34	1-3
X	US 5,327,324 (Roth) 05 July 1994 (05.07.1994) Figs 1-2, Col 2, Lines 35-51	1-3
X	US 4,707,726 (Tinder) 17 November 1987 (17.11.1987) Figs 3-4, Col 3, Line 48 - Col 5, Line 10	1-3
A	US 5,592,021 (Meschter et al.) 07 January 1997 (07.01.1997) Figs 3-4 and relevant Col and Lines.	1-3
A	US 6,753,603 (Segi et al.) 22 June 2004 (22.06.2004) Fig 1 and releveant Col and Lines	1-3
A	US 6,418,021 (Itabashi et al.) 9 July 2002 (09.07.2007), Figs 13-14 and relevelant Col and Lines.	1-3

Further documents are listed in the continuation of Box C.       See patent family annex.

* Special categories of cited documents:		
"A"	document defining the general state of the art which is not considered to be of particular relevance	"T" later document published after the international filing date or priority date and not in conflict with the application but cited to understand the principle or theory underlying the invention
"E"	earlier application or patent published on or after the international filing date	"X" document of particular relevance; the claimed invention cannot be considered novel or cannot be considered to involve an inventive step when the document is taken alone
"L"	document which may throw doubts on priority claim(s) or which is cited to establish the publication date of another citation or other special reason (as specified)	"Y" document of particular relevance; the claimed invention cannot be considered to involve an inventive step when the document is combined with one or more other such documents, such combination being obvious to a person skilled in the art
"O"	document referring to an oral disclosure, use, exhibition or other means	"&" document member of the same patent family
"P"	document published prior to the international filing date but later than the priority date claimed	

Date of the actual completion of the international search 11 June 2008 (11.06.2008)	Date of mailing of the international search report <b>US JUL 2008</b>
Name and mailing address of the ISA/US Mail Stop PCT, Attn: ISA/US Commissioner for Patents P.O. Box 1450 Alexandria, Virginia 22313-1450 Facsimile No. (571) 273-3201	Authorized officer Zachary M. Pape Telephone No. 571-272-1650