



(12) **United States Design Patent**  
**Zhang**

(10) **Patent No.:** **US D1,006,301 S**  
(45) **Date of Patent:** **\*\* Nov. 28, 2023**

(54) **CAMPING LIGHT**

(71) Applicant: **Shenzhen Jingyun Technology Co., Ltd.**, Shenzhen (CN)

(72) Inventor: **Zaowu Zhang**, Chenzhou (CN)

(73) Assignee: **Shenzhen Jingyun Technology Co., Ltd.**, Shenzhen (CN)

(\*\*) Term: **15 Years**

(21) Appl. No.: **29/876,255**

(22) Filed: **May 18, 2023**

(51) **LOC (14) Cl.** ..... **26-02**

(52) **U.S. Cl.**  
USPC ..... **D26/37**

(58) **Field of Classification Search**  
USPC ..... D26/29, 37-51, 52, 61, 67, 72, 73, 76,  
D26/85-93, 118, 120, 142  
CPC ..... F21L 2003/00; F21L 4/00; F21L 4/005;  
F21L 4/02; F21L 4/025; F21L 4/027;  
F21L 4/04; F21L 4/085; F21L 2005/00;  
F21L 7/00; F21L 13/00; F21L 13/04;  
F21L 13/08; F21L 14/02; F21L 17/00;  
F21L 19/00; F21L 25/00  
See application file for complete search history.

(56) **References Cited**

**U.S. PATENT DOCUMENTS**

D529,647	S	*	10/2006	Shiu	.....	D26/40
D571,493	S	*	6/2008	Li	.....	D26/37
D612,084	S	*	3/2010	Hillard	.....	D26/40
D621,536	S	*	8/2010	Lee	.....	D26/41
D627,089	S	*	11/2010	Loibl	.....	D26/38
D658,324	S	*	4/2012	Reimann	.....	D26/40
D694,444	S	*	11/2013	Poon	.....	D26/40
D729,428	S		5/2015	Shen		
D842,514	S	*	3/2019	Wu	.....	D26/41
D880,031	S	*	3/2020	Li	.....	D26/37
D891,683	S	*	7/2020	Wei	.....	D26/106
D894,454	S	*	8/2020	Yang	.....	D26/41
10,775,032	B2	*	9/2020	McIntyre	.....	F21V 21/406

(Continued)

**OTHER PUBLICATIONS**

Camping Lantern Rechargeable. Jul. 11, 2020. Site visited Jun. 14, 2023. [https://www.amazon.com/Sinvitron-Camping-Rechargeable-Dimmable-Portable/dp/B07RJGSK6B/ref=sr\_1\_32?crd=34ZQII1PNZXM2&keywords=portable%2Blights%2Bfor%2Bcamping%2Boctagon&qid=1686795835&sprefix=portable%2Blights%2Bfor%2Bcamping%2Boctagon%2Caps%2C128&sr=8-32&th=1] (Year: 2020).\*

(Continued)

*Primary Examiner* — Wendy L Arminio  
*Assistant Examiner* — Maheen Khurshid

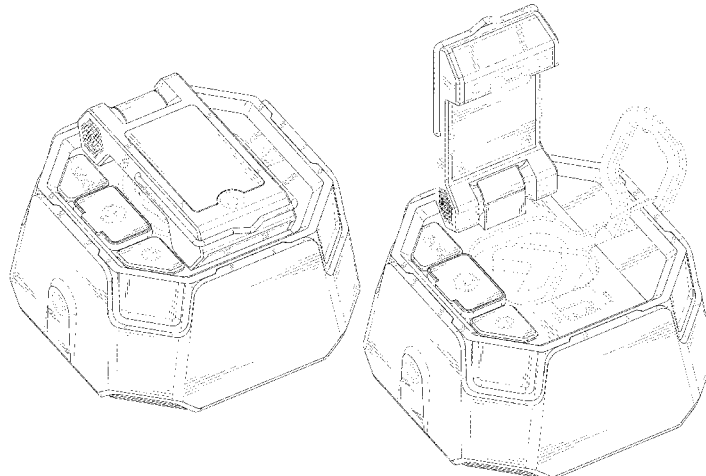
(57) **CLAIM**

The ornamental design for a camping light, as shown and described.

**DESCRIPTION**

FIG. 1 is a front, right and top perspective view of a camping light showing my new design;  
FIG. 2 is a rear, left and bottom perspective view thereof;  
FIG. 3 is a front view thereof;  
FIG. 4 is a rear view thereof;  
FIG. 5 is a left side view thereof;  
FIG. 6 is a right side view thereof;  
FIG. 7 is a top plan view thereof;  
FIG. 8 is a bottom plan view thereof;  
FIG. 9 is a perspective view of the camping light, shown in condition of use; and,  
FIG. 10 is an enlarged detail view of area 10 in FIG. 7.  
The dashed broken lines in FIG. 9 showing a buckle depict environment only and form no part of the claimed design. The other dashed broken lines in the drawings depict portions of the camping light that form no part of the claimed design.  
The dot-dash broken lines in the drawings denote the boundaries of the enlarged detail view and form no part of the claimed design.

**1 Claim, 10 Drawing Sheets**



(56)

**References Cited**

U.S. PATENT DOCUMENTS

D915,661	S	*	4/2021	Zhu	.....	D26/106
D917,086	S	*	4/2021	Tang	.....	D26/41
D935,646	S	*	11/2021	Huang	.....	D26/24
D952,216	S	*	5/2022	Wang	.....	D26/41
D961,827	S		8/2022	Chen		
2015/0009660	A1	*	1/2015	Lee	.....	F21L 4/00 362/186

OTHER PUBLICATIONS

Odoland Portable LED. Oct. 12, 2015. Site visited Jun. 14, 2023. [[https://www.amazon.com/Odoland-Portable-Camping-Lantern-Ceiling/dp/B016HM7QRE/ref=sr\\_1\\_6?crid=34ZQIII1PNZXM2&keywords=portable+lights+for+camping+octagon&qid=1686795835&sr=8-6](https://www.amazon.com/Odoland-Portable-Camping-Lantern-Ceiling/dp/B016HM7QRE/ref=sr_1_6?crid=34ZQIII1PNZXM2&keywords=portable+lights+for+camping+octagon&qid=1686795835&sr=8-6)] (Year: 2015).\*

FLY2SKY 2 Pcs White Camping Light. Feb. 9, 2023. Site visited Jun. 14, 2023. [[https://www.amazon.com/FLY2SKY-Rechargeable-Accessories-Equipment-Backpacking/dp/B0BV9FKVL/ref=sr\\_1\\_5?keywords=portable%2Blights%2Bfor%2Bcamping&qid=1686794974&sr=8-5&th=1](https://www.amazon.com/FLY2SKY-Rechargeable-Accessories-Equipment-Backpacking/dp/B0BV9FKVL/ref=sr_1_5?keywords=portable%2Blights%2Bfor%2Bcamping&qid=1686794974&sr=8-5&th=1)] (Year: 2023).\*

\* cited by examiner

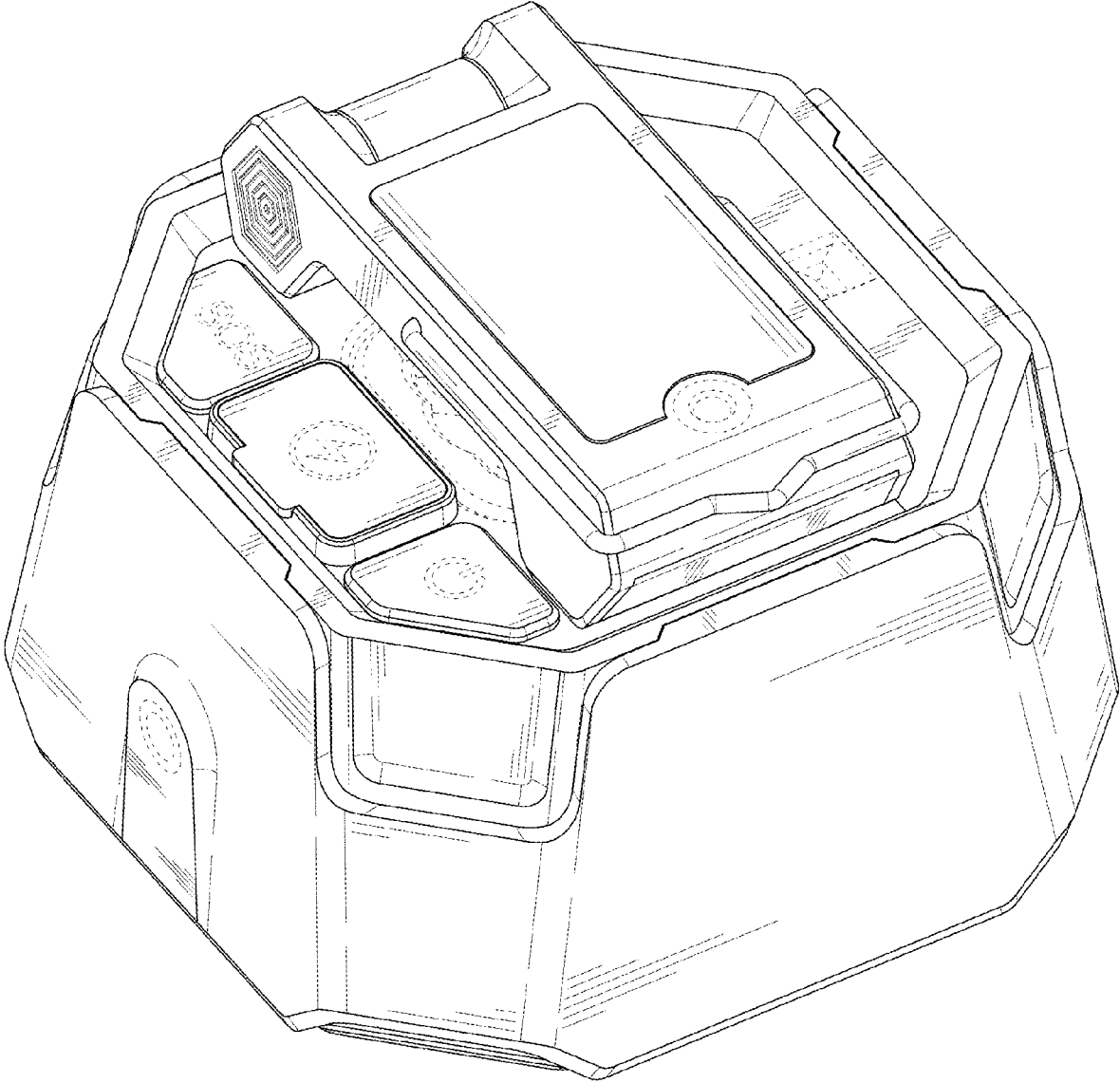


FIG. 1

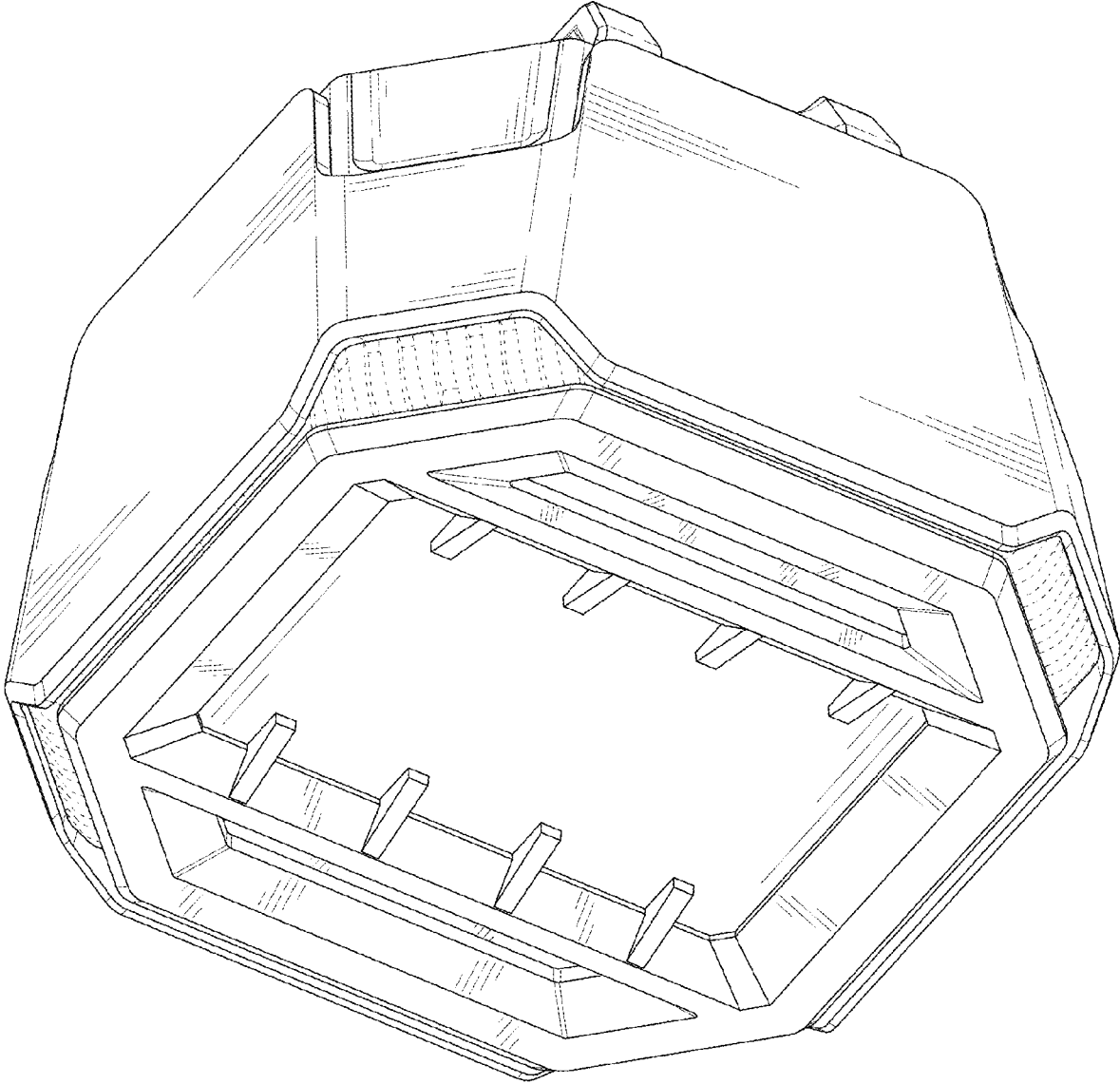


FIG. 2

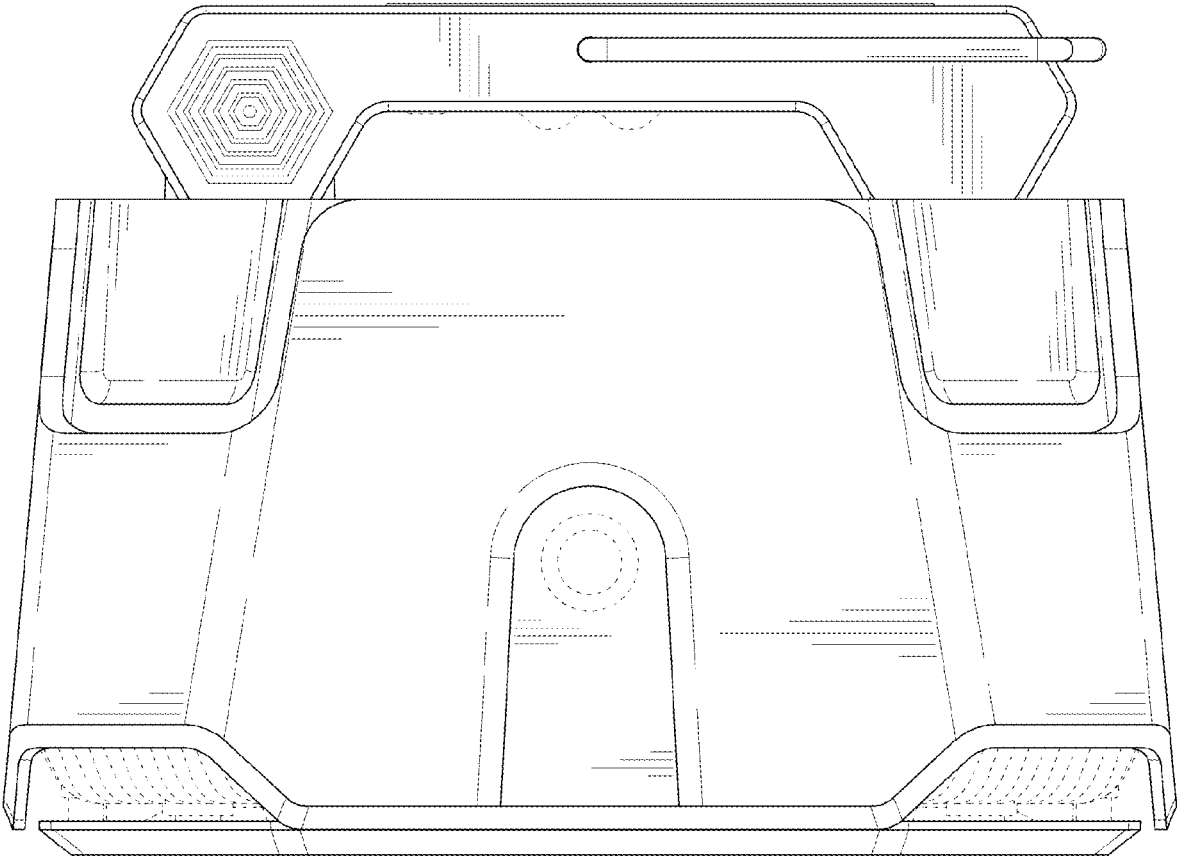


FIG. 3

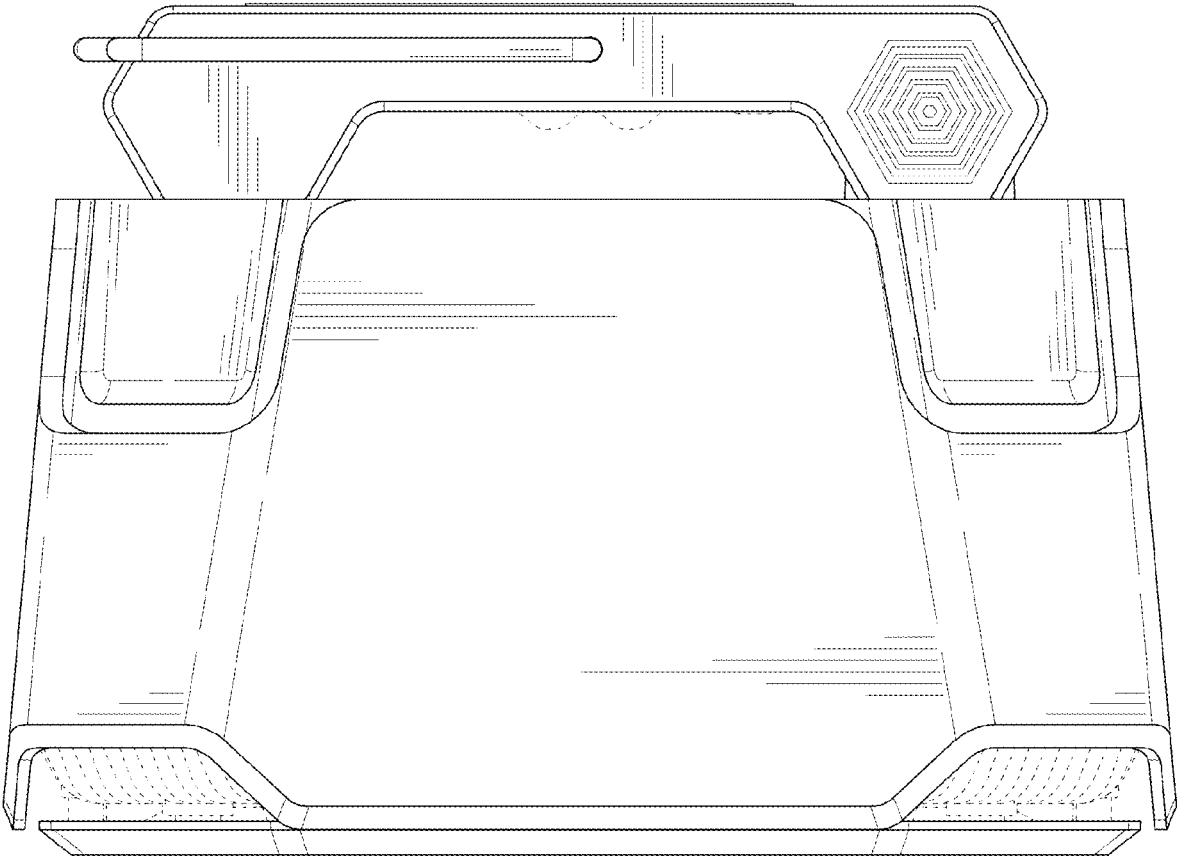


FIG. 4

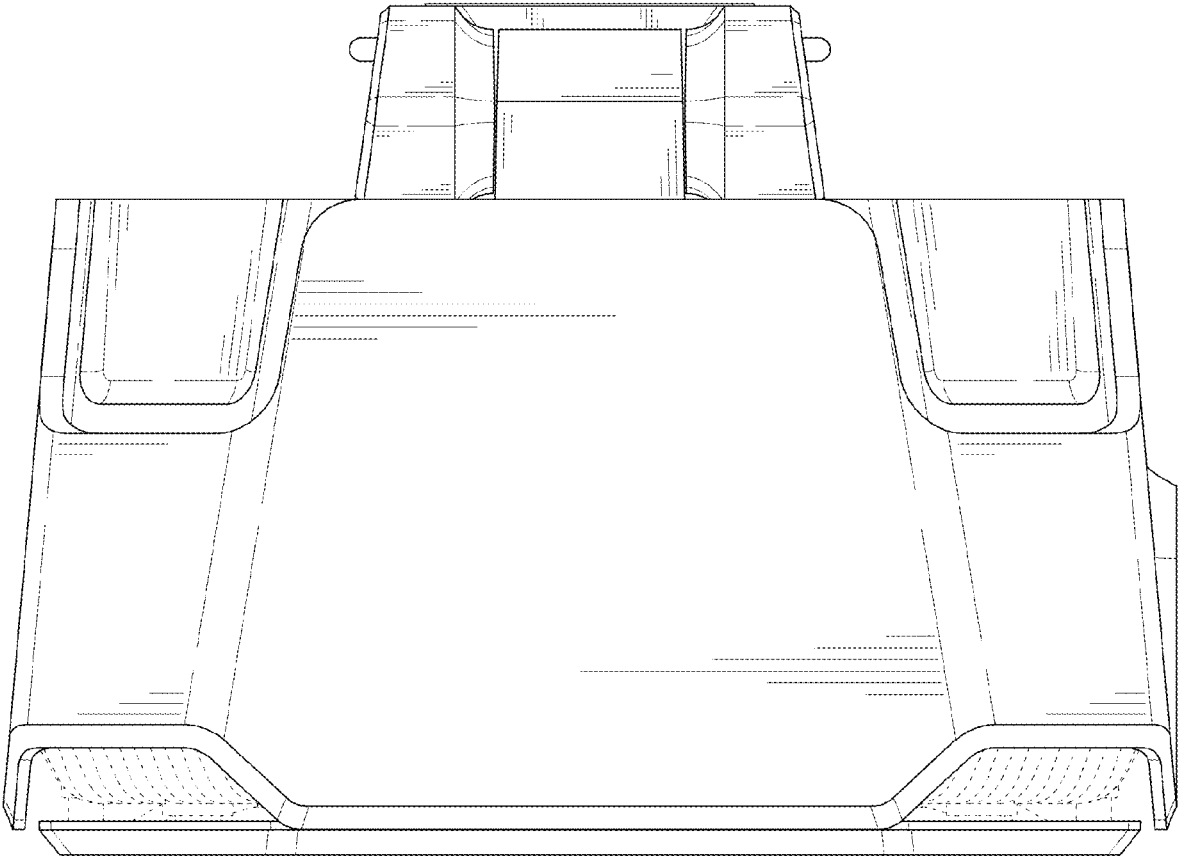


FIG. 5

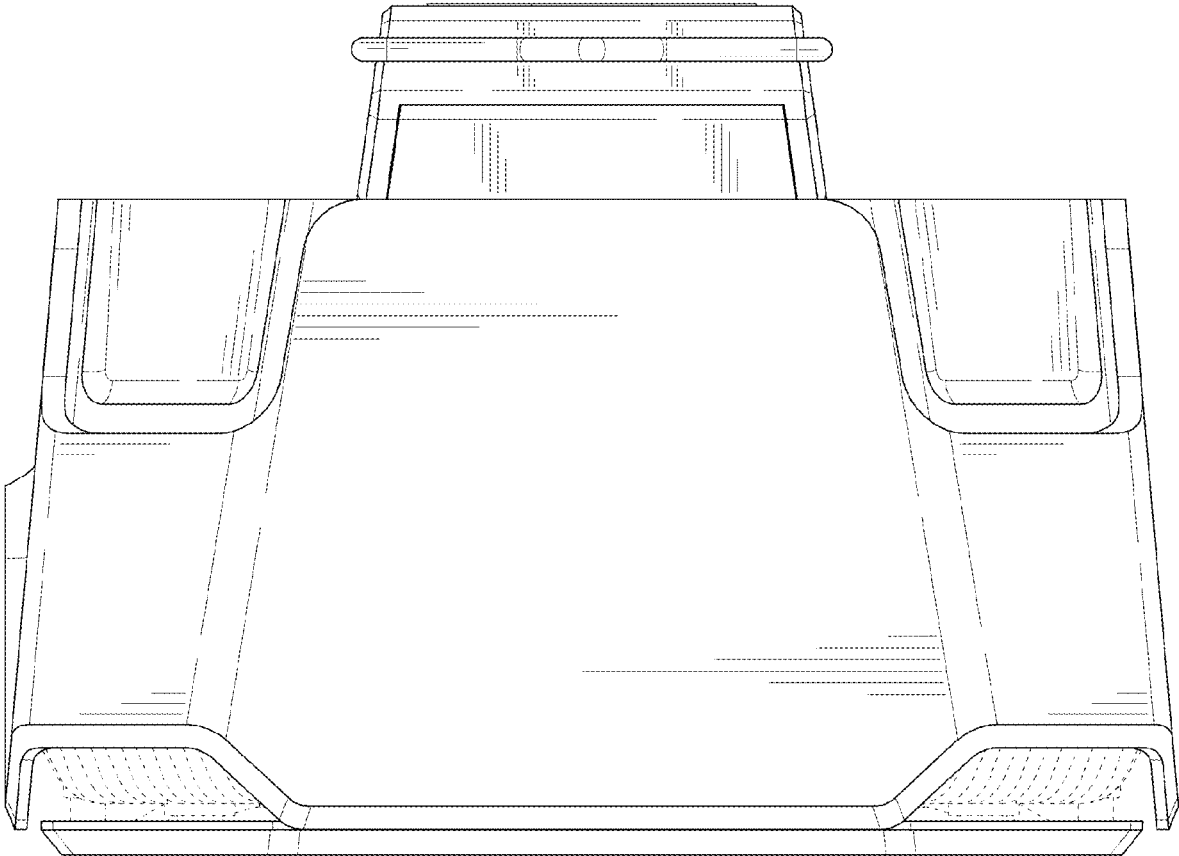


FIG. 6

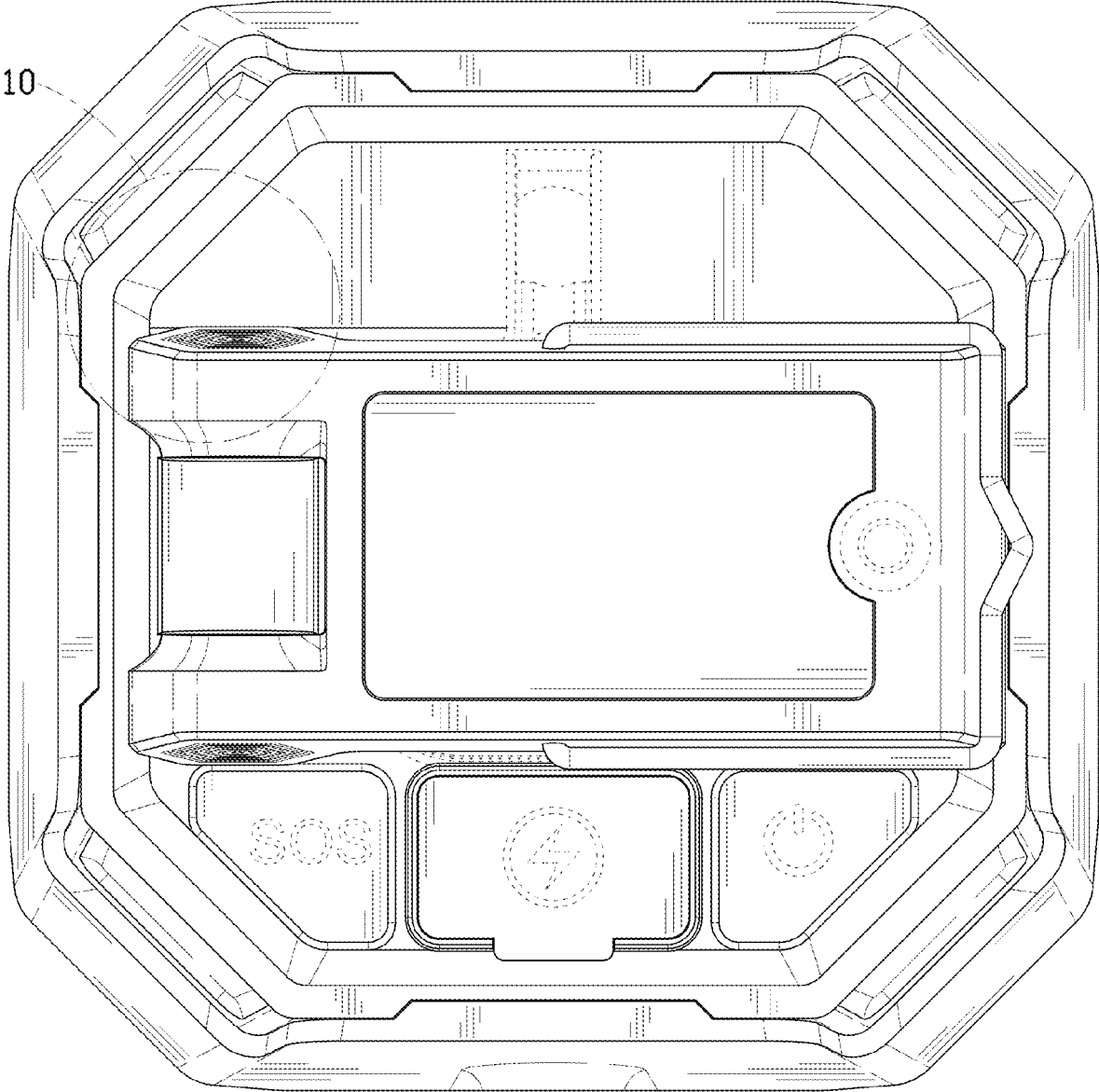


FIG. 7

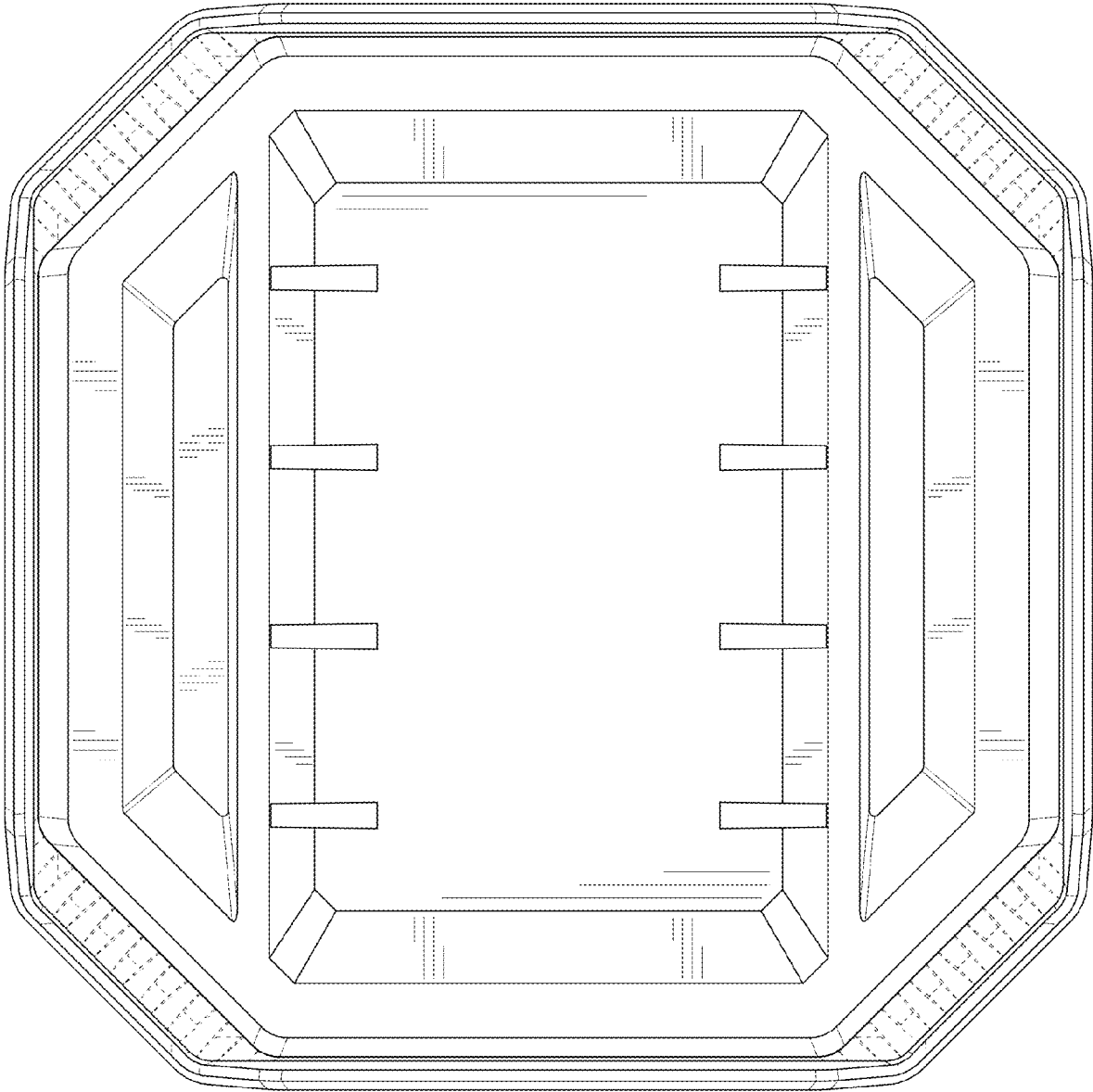


FIG. 8

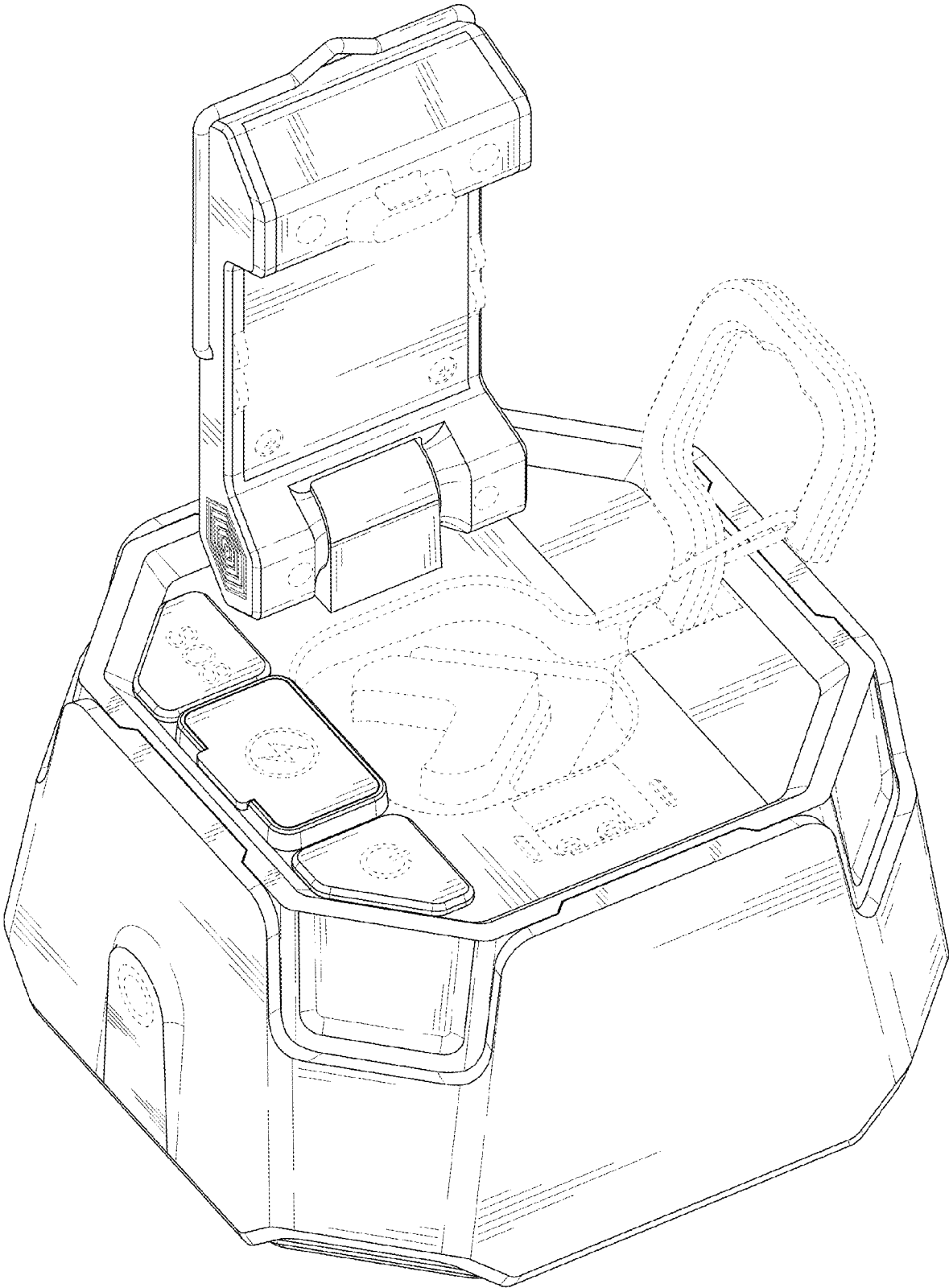


FIG. 9

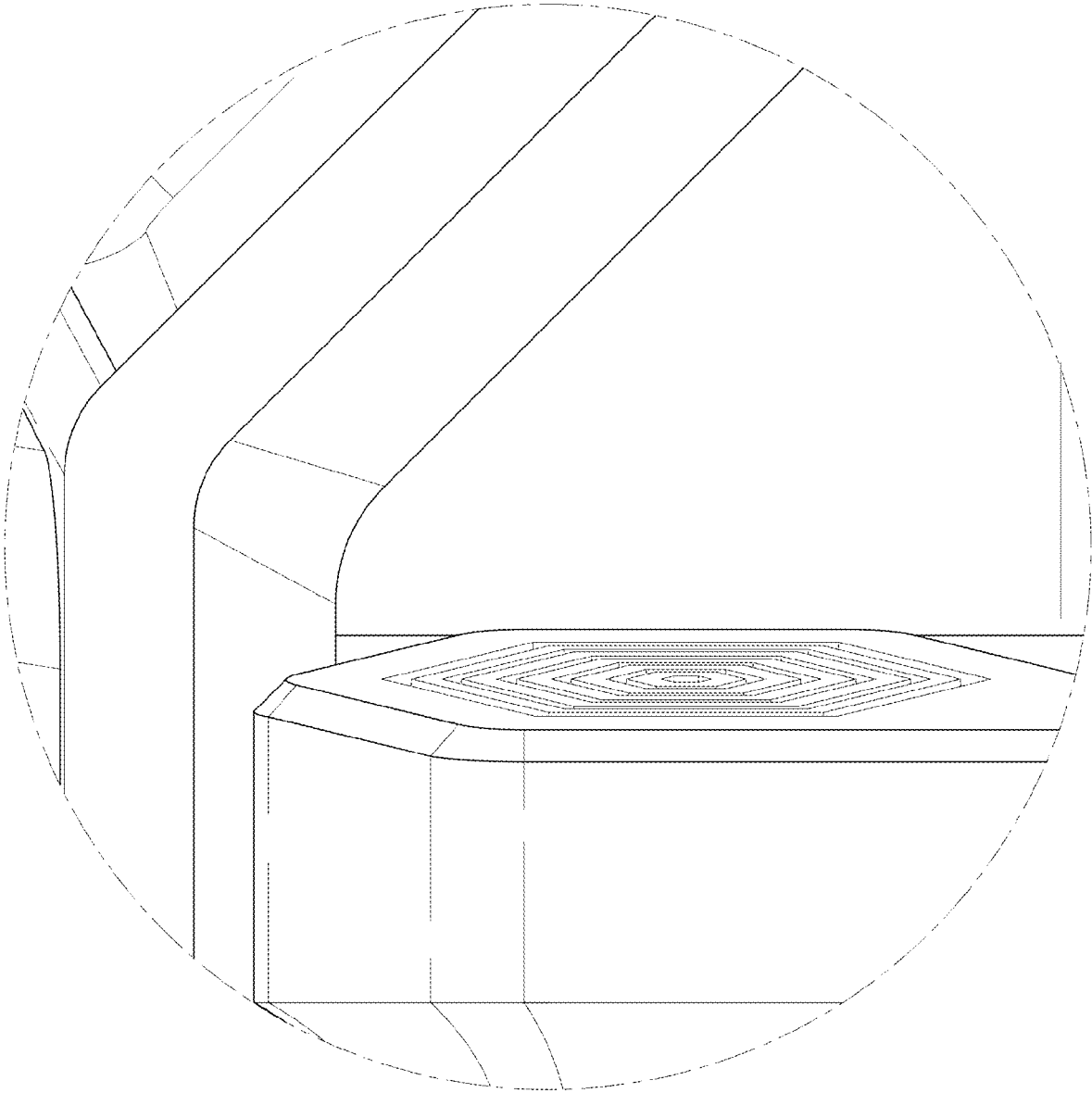


FIG. 10