



US00D470659S

(12) **United States Design Patent**  
Story et al.

(10) **Patent No.:** **US D470,659 S**

(45) **Date of Patent:** **\*\* Feb. 25, 2003**

(54) **TOOL BOX**

(75) Inventors: **Dave Story**, Bartlett, IL (US); **Jon Fiscus**, Barrington, IL (US); **Shelley Nehrt**, Barrington, IL (US)

(73) Assignee: **Stack-On Products Co.**, Wauconda, IL (US)

(\*\*) Term: **14 Years**

(21) Appl. No.: **29/146,465**

(22) Filed: **Aug. 9, 2001**

(51) **LOC (7) Cl.** ..... **03-01**

(52) **U.S. Cl.** ..... **D3/291; D3/281; D3/905**

(58) **Field of Search** ..... **D3/273, 276, 281, D3/282, 291, 294, 905; 206/349, 372, 373, 379**

(56) **References Cited**

**U.S. PATENT DOCUMENTS**

3,612,335	A	10/1971	Schurman	
D306,096	S	* 2/1990	Dickinson et al.	D3/281
4,927,016	A	5/1990	Fuller	206/315.11
D315,445	S	3/1991	Lanius	D3/905
D321,433	S	* 11/1991	Dickinson	D3/281
D378,874	S	* 4/1997	Dickinson et al.	D3/281
D386,903	S	12/1997	Curry et al.	D3/282

D400,010	S	10/1998	Vasudeva	D3/276
D404,916	S	* 2/1999	Dickinson et al.	D3/281
5,887,715	A	3/1999	Vasudeva	206/373
D413,203	S	8/1999	Zurwelle et al.	D3/276
D418,294	S	1/2000	Tanji	D3/276
D428,254	S	7/2000	Alexander-Katz	D3/274
D428,698	S	8/2000	Cheng	D3/279
D431,108	S	* 9/2000	Lewis et al.	D3/276
D431,112	S	9/2000	Ahern et al.	D3/323
D434,224	S	11/2000	Tiramani et al.	D3/279
D434,225	S	11/2000	Story et al.	D3/281

\* cited by examiner

*Primary Examiner*—Philip S. Hyder

(74) *Attorney, Agent, or Firm*—Patzik, Frank & Samotny

(57) **CLAIM**

The ornamental design for a tool box, as shown.

**DESCRIPTION**

FIG. 1 is a front perspective view of a tool box showing the new ornamental design thereof;

FIG. 2 is a rear perspective view thereof;

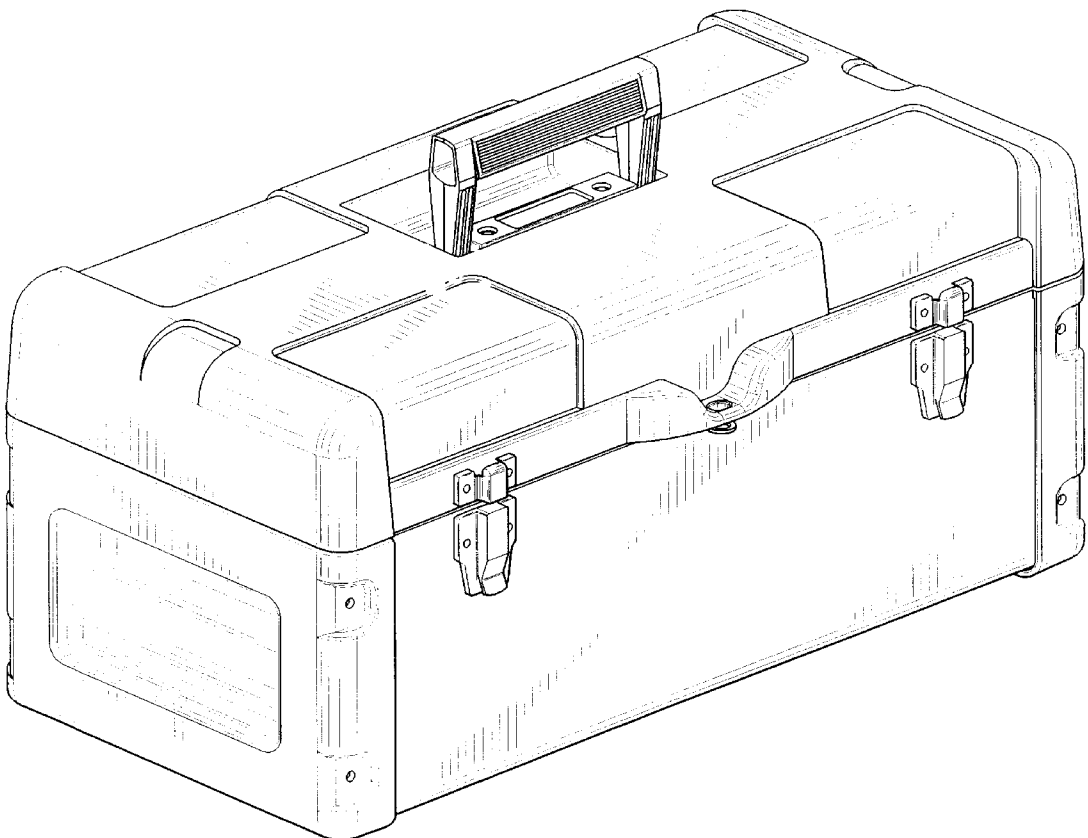
FIG. 3 is a top plan view thereof;

FIG. 4 is a bottom plan view thereof;

FIG. 5 is a front elevational plan view thereof; and,

FIG. 6 is a back elevational plan view thereof.

**1 Claim, 6 Drawing Sheets**



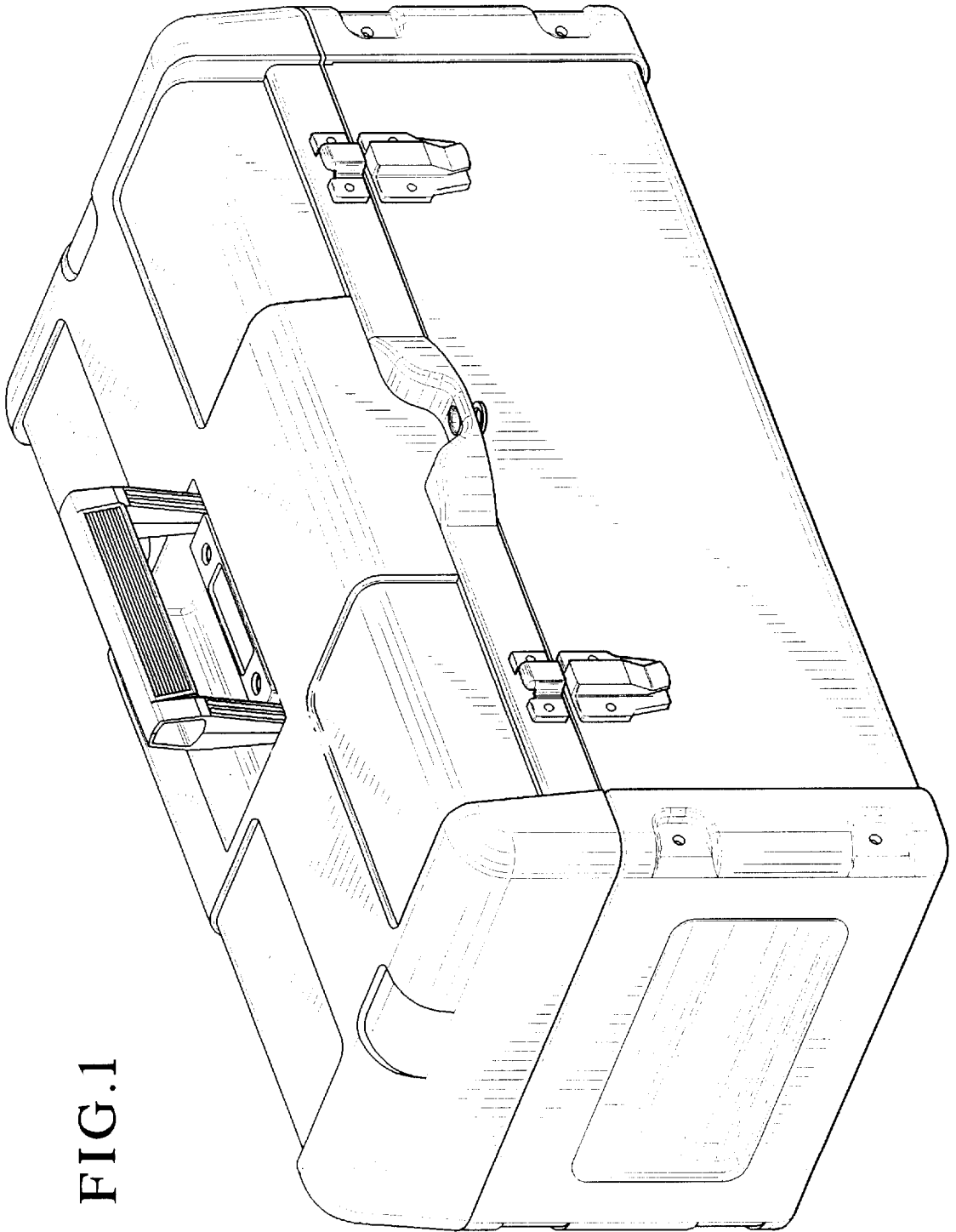


FIG.1

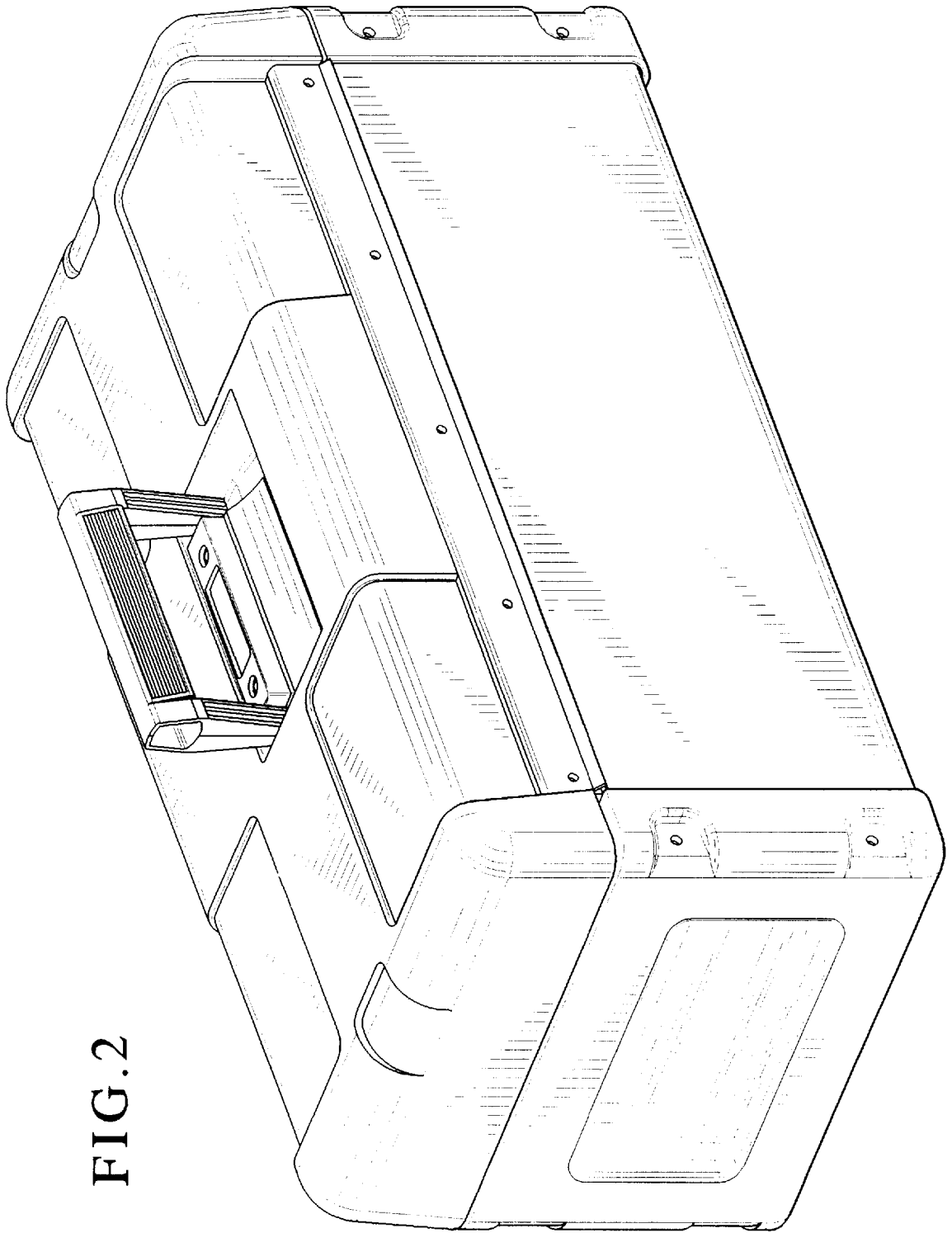


FIG. 2

FIG. 3

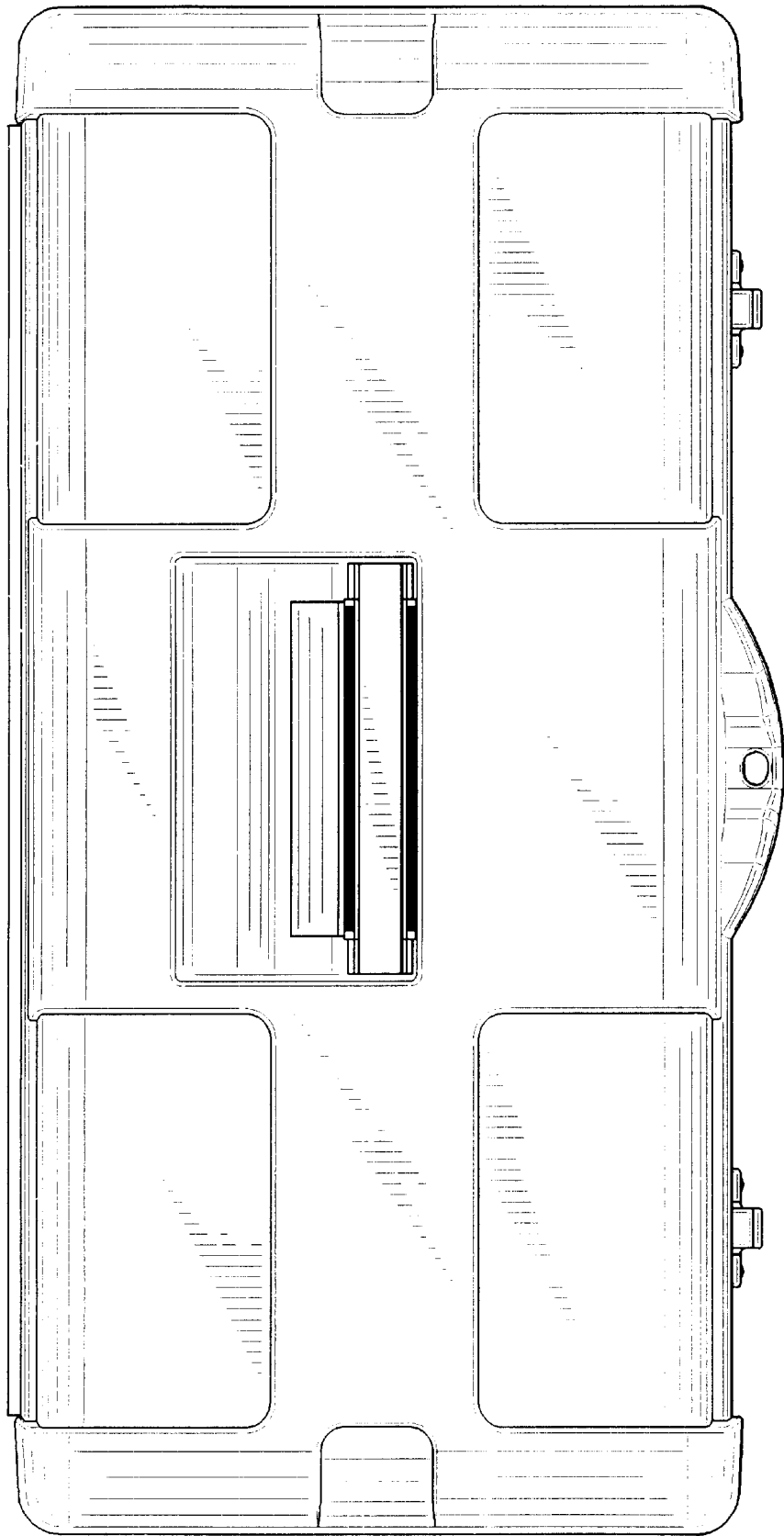


FIG. 4

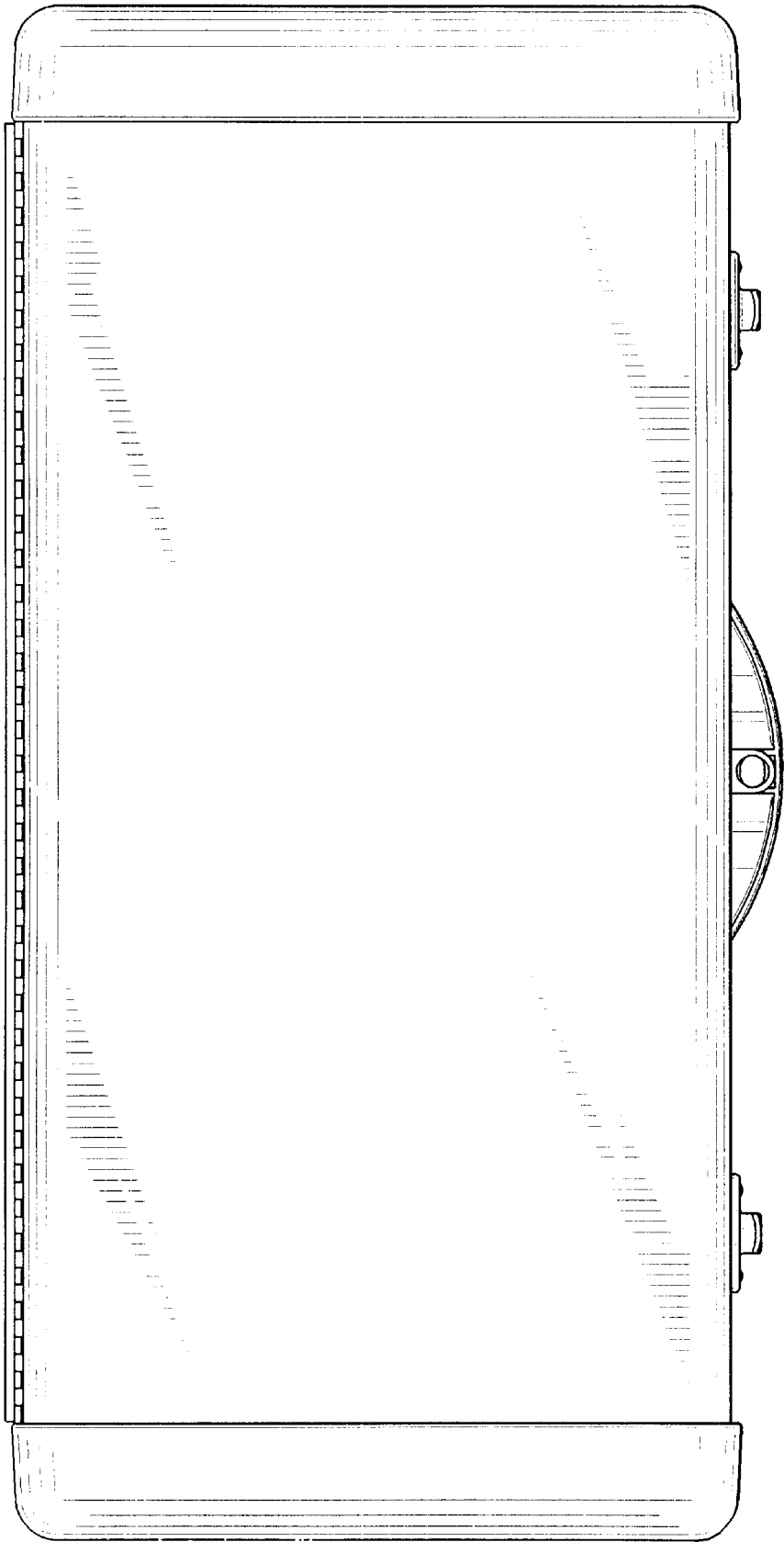


FIG. 5

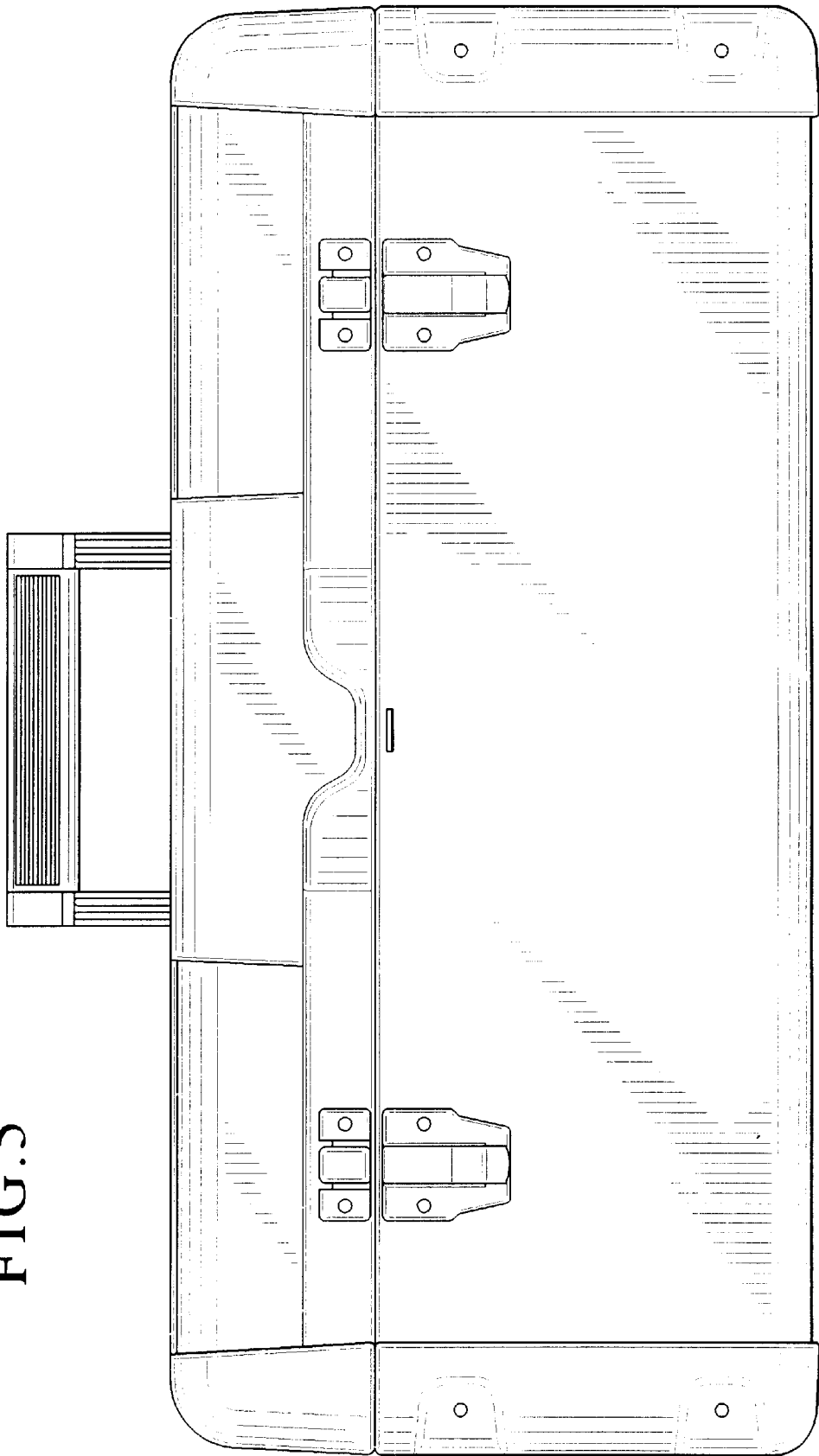


FIG. 6

