



- (51) International Patent Classification:  
E21B 19/00 (2006.01)
- (21) International Application Number:  
PCT/EP2012/051580
- (22) International Filing Date:  
31 January 2012 (31.01.2012)
- (25) Filing Language:  
English
- (26) Publication Language:  
English
- (30) Priority Data:  
20110173 1 February 2011 (01.02.2011) NO
- (71) Applicant (for all designated States except US): SEVAN  
MARINE ASA [NO/NO]; Kittelsbuktheien 5, N-4836  
Arendal (NO).
- (72) Inventors; and
- (75) Inventors/Applicants (for US only): AARSNES, Jan Vid-  
ar [NO/NO]; Lystheia 8, N-4817 His (NO).  
SYVERTSEN, Kåre [NO/NO]; Dønnestadveien 37 B, N-  
4658 Tveit (NO). SKJÅSTAD, Otto [NO/NO]; Hassel-  
bakken 1, N-4816 Kolbjørnsvik (NO).
- (74) Agents: RISDAL, Jørgen et al.; HÅMSØ PATENTBYRÅ  
ANS, P.O.Box 171, N-4302 Sandnes (NO).
- (81) Designated States (unless otherwise indicated, for every  
kind of national protection available): AE, AG, AL, AM,

AO, AT, AU, AZ, BA, BB, BG, BH, BR, BW, BY, BZ,  
CA, CH, CL, CN, CO, CR, CU, CZ, DE, DK, DM, DO,  
DZ, EC, EE, EG, ES, FI, GB, GD, GE, GH, GM, GT, HN,  
HR, HU, ID, IL, IN, IS, JP, KE, KG, KM, KN, KP, KR,  
KZ, LA, LC, LK, LR, LS, LT, LU, LY, MA, MD, ME,  
MG, MK, MN, MW, MX, MY, MZ, NA, NG, NI, NO, NZ,  
OM, PE, PG, PH, PL, PT, QA, RO, RS, RU, RW, SC, SD,  
SE, SG, SK, SL, SM, ST, SV, SY, TH, TJ, TM, TN, TR,  
TT, TZ, UA, UG, US, UZ, VC, VN, ZA, ZM, ZW.

- (84) Designated States (unless otherwise indicated, for every  
kind of regional protection available): ARIPO (BW, GH,  
GM, KE, LR, LS, MW, MZ, NA, RW, SD, SL, SZ, TZ,  
UG, ZM, ZW), Eurasian (AM, AZ, BY, KG, KZ, MD, RU,  
TJ, TM), European (AL, AT, BE, BG, CH, CY, CZ, DE,  
DK, EE, ES, FI, FR, GB, GR, HR, HU, IE, IS, IT, LT, LU,  
LV, MC, MK, MT, NL, NO, PL, PT, RO, RS, SE, SI, SK,  
SM, TR), OAPI (BF, BJ, CF, CG, CI, CM, GA, GN, GQ,  
GW, ML, MR, NE, SN, TD, TG).

**Declarations under Rule 4.17:**

- as to applicant's entitlement to apply for and be granted a  
patent (Rule 4.17(ii))

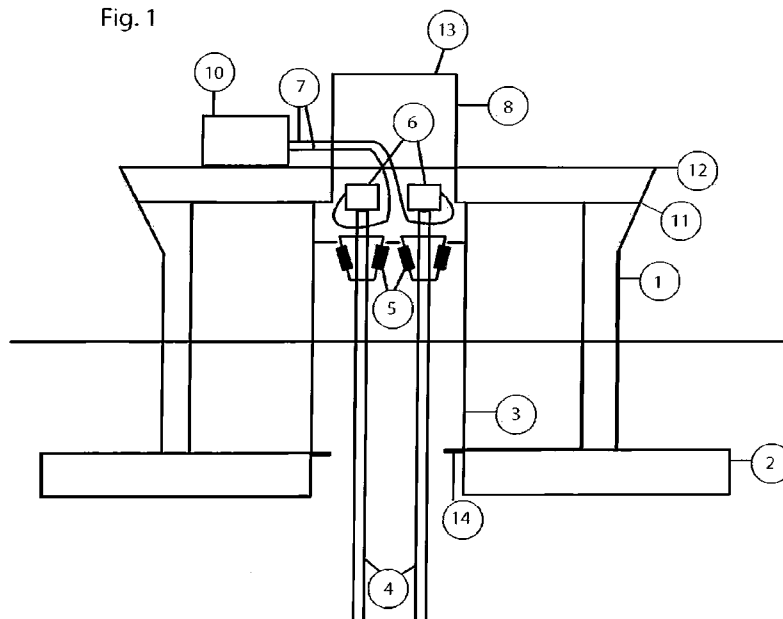
**Published:**

- with international search report (Art. 21(3))

[Continued on next page]

- (54) Title: PRODUCTION UNIT FOR USE WITH DRY CHRISTMAS TREES

Fig. 1



- (57) Abstract: Floating platform which function as production units for drilling, production and storage of hydrocarbons offshore. The production units are suitable for use with vertical production risers connected to dry Christmas trees, i.e. Christmas trees rendering both well intervention and production from the platforms possible. The production units may, in addition to processing equipment for treatment of the well stream, also contain drilling tools and/or well intervention equipment.

— *before the expiration of the time limit for amending the claims and to be republished in the event of receipt of amendments (Rule 48.2(h))*

**(88) Date of publication of the international search report:**  
11 April 2013

INTERNATIONAL SEARCH REPORT

International application No  
PCT/EP2012/051580

A. CLASSIFICATION OF SUBJECT MATTER  
INV. E21B19/00  
ADD.  
According to International Patent Classification (IPC) or to both national classification and IPC

B. FIELDS SEARCHED  
Minimum documentation searched (classification system followed by classification symbols)  
E21B  
Documentation searched other than minimum documentation to the extent that such documents are included in the fields searched

Electronic data base consulted during the international search (name of data base and, where practicable, search terms used)  
EPO-Internal, WPI Data

C. DOCUMENTS CONSIDERED TO BE RELEVANT		
Category*	Citation of document, with indication, where appropriate, of the relevant passages	Relevant to claim No.
Y	WO 02/090177 A1 (SEVAN MARINE AS [NO]; SMEDAL ARNE [NO]; SYVERTSEN KAARE [NO]) 14 November 2002 (2002-11-14) page 4, line 5 - page 5, line 20 figures 1,2	1-11
Y	----- US 2004/251029 A1 (HORTON EDWARD E [US] HORTON III EDWARD E [US]) 16 December 2004 (2004-12-16) paragraphs [0008], [0009] figures 1,2	1-11
A	----- US 2007/048093 A1 (BHAT SHANKAR U [US] ET AL BHAT SHANKAR ULUVANA [US] ET AL) 1 March 2007 (2007-03-01) paragraph [0009] ----- -/--	1-11

Further documents are listed in the continuation of Box C.

See patent family annex.

\* Special categories of cited documents :

"A" document defining the general state of the art which is not considered to be of particular relevance	"T" later document published after the international filing date or priority date and not in conflict with the application but cited to understand the principle or theory underlying the invention
"E" earlier application or patent but published on or after the international filing date	"X" document of particular relevance; the claimed invention cannot be considered novel or cannot be considered to involve an inventive step when the document is taken alone
"L" document which may throw doubts on priority claim(s) or which is cited to establish the publication date of another citation or other special reason (as specified)	"Y" document of particular relevance; the claimed invention cannot be considered to involve an inventive step when the document is combined with one or more other such documents, such combination being obvious to a person skilled in the art
"O" document referring to an oral disclosure, use, exhibition or other means	"&" document member of the same patent family
"P" document published prior to the international filing date but later than the priority date claimed	

Date of the actual completion of the international search  15 February 2013	Date of mailing of the international search report  25/02/2013
Name and mailing address of the ISA/ European Patent Office, P.B. 5818 Patentlaan 2 NL - 2280 HV Rijswijk Tel. (+31-70) 340-2040, Fax: (+31-70) 340-3016	Authorized officer  Schouten, Adri

## INTERNATIONAL SEARCH REPORT

International application No  
PCT/EP2012/051580

C(Continuation). DOCUMENTS CONSIDERED TO BE RELEVANT		
Category*	Citation of document, with indication, where appropriate, of the relevant passages	Relevant to claim No.
A	WO 2009/136799 A1 (SEVAN MARINE AS [NO]; SYVERTSEN KAARE [NO]; AARSNES JAN VIDAR [NO]; SO) 12 November 2009 (2009-11-12) figure 1	1-11
	-----	
A	WO 02/092425 A1 (MPU ENTPR AS [NO]; OLSEN TOR OLE [NO]; HAEREID KAARE O [NO]; GODEJORD) 21 November 2002 (2002-11-21) abstract	1-11
	-----	
A	US 2009/126616 A1 (SRINIVASAN NAGAN [US]) 21 May 2009 (2009-05-21) abstract	1-11
	-----	
A	US 4 646 672 A (BENNETT WILLIAM [US] ET AL) 3 March 1987 (1987-03-03) abstract	1-11
	-----	
A	WO 02/38438 A1 (SINGLE BUOY MOORINGS) 16 May 2002 (2002-05-16) abstract	1-11
	-----	

## INTERNATIONAL SEARCH REPORT

Information on patent family members

International application No

PCT/EP2012/051580

Patent document cited in search report	Publication date	Patent family member(s)	Publication date	
WO 02090177	A1	14-11-2002	BR 0209526 A	09-03-2004
			CN 1516661 A	28-07-2004
			GB 2393151 A	24-03-2004
			KR 20040002950 A	07-01-2004
			KR 20100068305 A	22-06-2010
			NO 20012298 A	11-11-2002
			US 2004156683 A1	12-08-2004
			WO 02090177 A1	14-11-2002
US 2004251029	A1	16-12-2004	AT 375434 T	15-10-2007
			AU 2004251242 A1	06-01-2005
			BR PI0411578 A	08-08-2006
			EP 1639227 A1	29-03-2006
			ES 2295893 T3	16-04-2008
			NO 327073 B1	14-04-2009
			OA 13216 A	13-12-2006
			US 2004251029 A1	16-12-2004
			WO 2005001235 A1	06-01-2005
US 2007048093	A1	01-03-2007	AU 2006202208 A1	15-03-2007
			BR PI0603129 A	27-04-2007
			US 2007048093 A1	01-03-2007
			US 2008210433 A1	04-09-2008
WO 2009136799	A1	12-11-2009	CA 2723410 A1	12-11-2009
			CN 102015436 A	13-04-2011
			RU 2010150346 A	20-06-2012
			WO 2009136799 A1	12-11-2009
WO 02092425	A1	21-11-2002	NO 313664 B1	11-11-2002
			NO 20012087 A	28-10-2002
			WO 02092425 A1	21-11-2002
US 2009126616	A1	21-05-2009	CA 2747255 A1	16-07-2009
			EP 2271548 A1	12-01-2011
			US 2009126616 A1	21-05-2009
			US 2012298027 A1	29-11-2012
			WO 2009088489 A1	16-07-2009
US 4646672	A	03-03-1987	AT 46884 T	15-10-1989
			AU 581871 B2	09-03-1989
			BR 8407250 A	24-12-1985
			CA 1243905 A1	01-11-1988
			DE 3479995 D1	09-11-1989
			EP 0169218 A1	29-01-1986
			JP S61500958 A	15-05-1986
			NO 853403 A	29-08-1985
			US 4646672 A	03-03-1987
			WO 8503050 A1	18-07-1985
WO 0238438	A1	16-05-2002	AU 2633402 A	21-05-2002
			CN 1474766 A	11-02-2004
			EP 1339600 A1	03-09-2003
			ES 2231576 T3	16-05-2005
			JP 3868902 B2	17-01-2007
			JP 2004520211 A	08-07-2004
			US 2004067109 A1	08-04-2004
			WO 0238438 A1	16-05-2002

# INTERNATIONAL SEARCH REPORT

Information on patent family members

International application No

PCT/EP2012/051580

Patent document cited in search report	Publication date	Patent family member(s)	Publication date
-----			