

240,677

TOOTHBRUSH

Dallas Glenn Thompson, 250-A W. Vista Way,
Vista, Calif. 92083

Filed Apr. 24, 1975, Ser. No. 571,409

Term of patent 14 years

Int. Cl. D4-02

U.S. Cl. D4-25

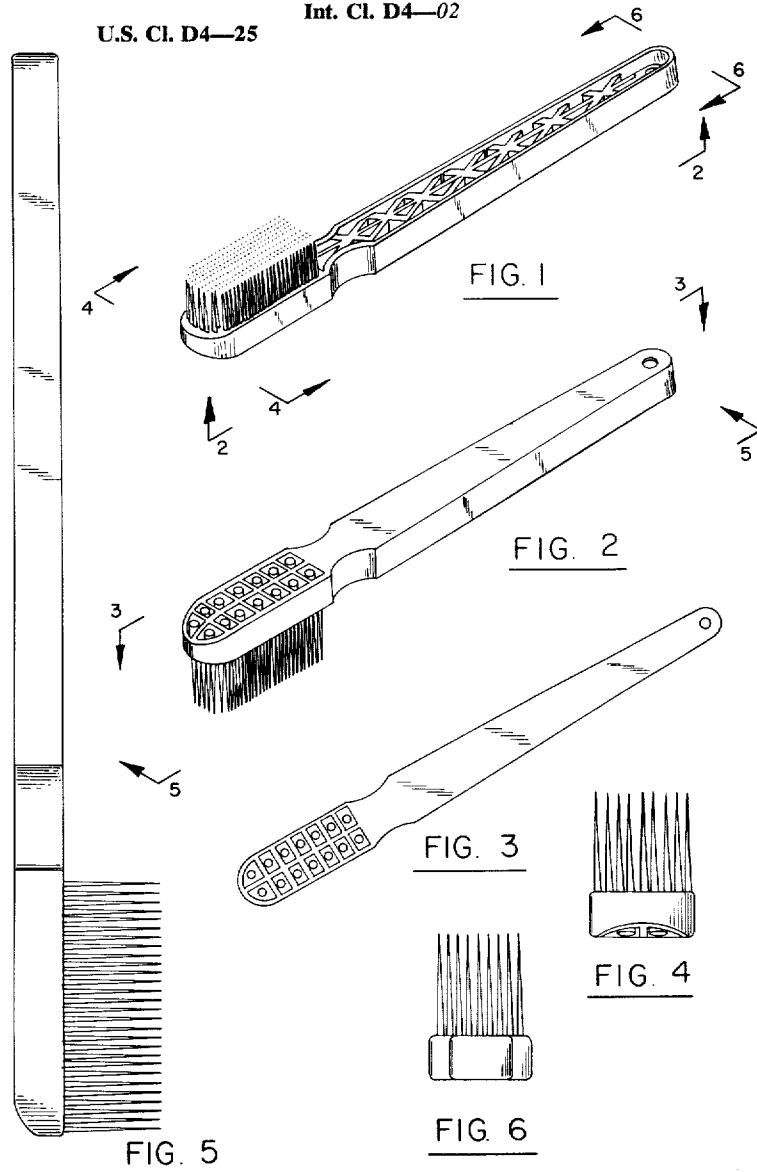


FIG. 1 is a perspective view of a toothbrush showing my new design;

FIG. 2 is a top perspective view thereof, taken along line 2-2 of FIG. 1;

FIG. 3 is a top plan view thereof, taken along line 3-3 of FIG. 2;

FIG. 4 is an end elevational view thereof, taken along line 4-4 of FIG. 1;

FIG. 5 is a side elevational view thereof, taken along line 5-5 of FIG. 2; and

FIG. 6 is an end elevational view thereof, taken along line 6-6 of FIG. 1.

The side of the toothbrush that is not shown is substantially identical to the side shown in FIG. 5.

I claim:

The ornamental design for a toothbrush, as shown and described.

References Cited

UNITED STATES PATENTS

3,302,230	2/1967	Poppelman	15-167 R
3,295,156	1/1967	Brant	15-167 R
621,917	3/1899	Hippisley	15-159 R X
2,244,699	6/1941	Hosey	15-188
3,742,549	7/1973	Scopp et al.	15-167 R

WALLACE R. BURKE, Primary Examiner

C. KEMPER, Assistant Examiner