



US00D618487S

(12) **United States Design Patent**
Fletcher et al.

(10) **Patent No.:** **US D618,487 S**

(45) **Date of Patent:** **** Jun. 29, 2010**

(54) **HOLDING OVEN**

D507,928 S * 8/2005 Martin et al. D7/348

* cited by examiner

(75) Inventors: **Robert Kenneth Yasuji Fletcher**,
Racine, WI (US); **Jeffrey L. Spenner**,
Milwaukee, WI (US)

Primary Examiner—Catherine R Oliver
(74) *Attorney, Agent, or Firm*—Whyte Hirschboeck Dudek
SC

(73) Assignee: **RO Industries, LLC**, Wales, WI (US)

(57) **CLAIM**

(**) Term: **14 Years**

The ornamental design for a holding oven, as shown and described.

(21) Appl. No.: **29/343,476**

(22) Filed: **Sep. 14, 2009**

DESCRIPTION

(51) **LOC (9) Cl.** **07-02**
(52) **U.S. Cl.** **D7/348**
(58) **Field of Classification Search** D7/332–339,
D7/347–348, 350.3, 355, 402–408; 126/19 M,
126/275 R, 275 E, 276; 219/391

FIG. 1 is a front perspective view of a holding oven of the present invention;
FIG. 2 is a front elevational view of the present invention;
FIG. 3 is a rear elevational view of the present invention;
FIG. 4 is a left side view of the present invention;
FIG. 5 is a right side view of the present invention;
FIG. 6 is a top view of the present invention; and,
FIG. 7 is a bottom view of the present invention.

See application file for complete search history.

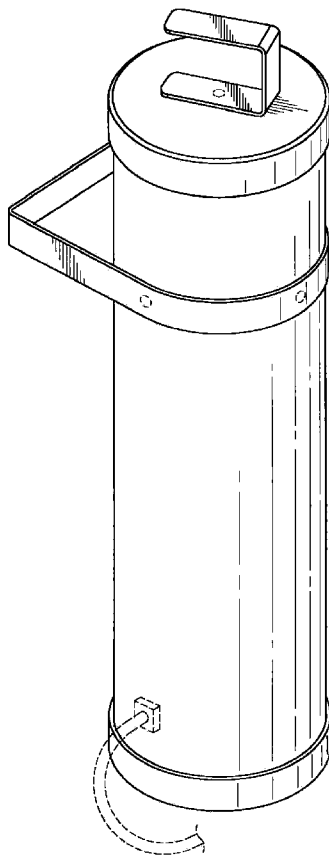
The broken line showing of environment in the drawings is included for the purpose of illustrating only and forms no part of the claimed design.

(56) **References Cited**

U.S. PATENT DOCUMENTS

D188,156 S * 6/1960 Schlumbohm D7/339
D238,299 S * 12/1975 Klemm D7/347
D393,178 S * 4/1998 Su D7/350.3

1 Claim, 6 Drawing Sheets



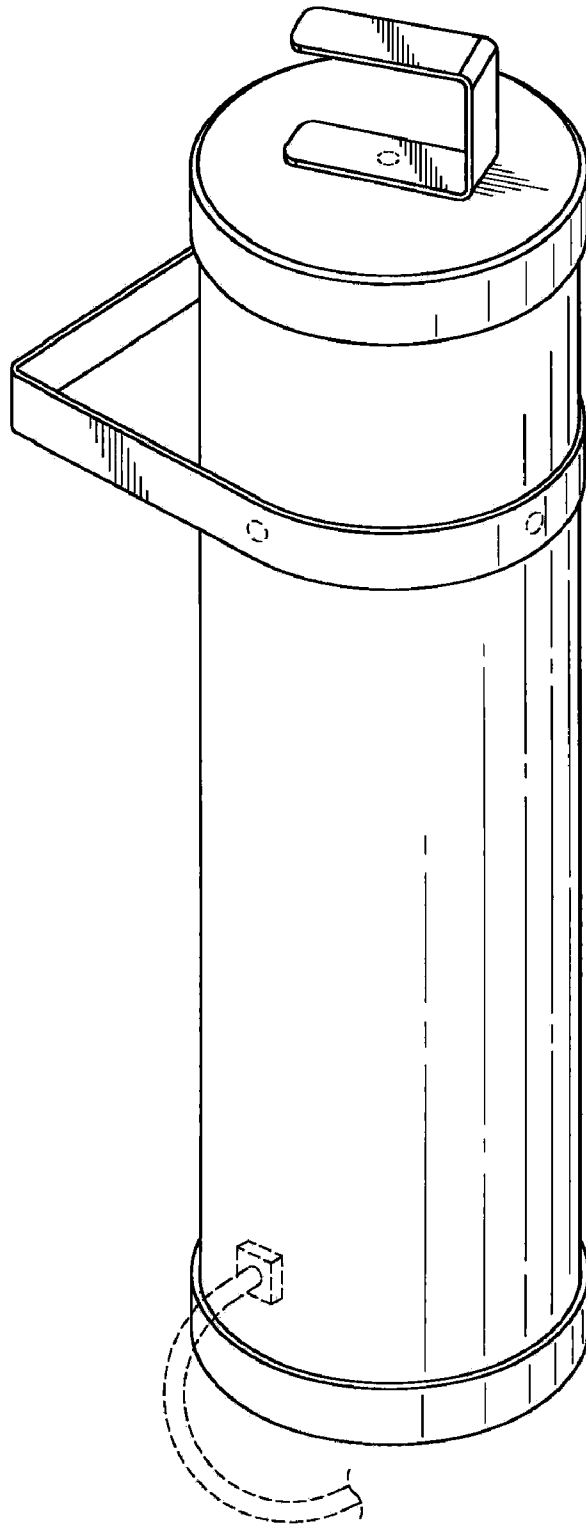


Fig. 1

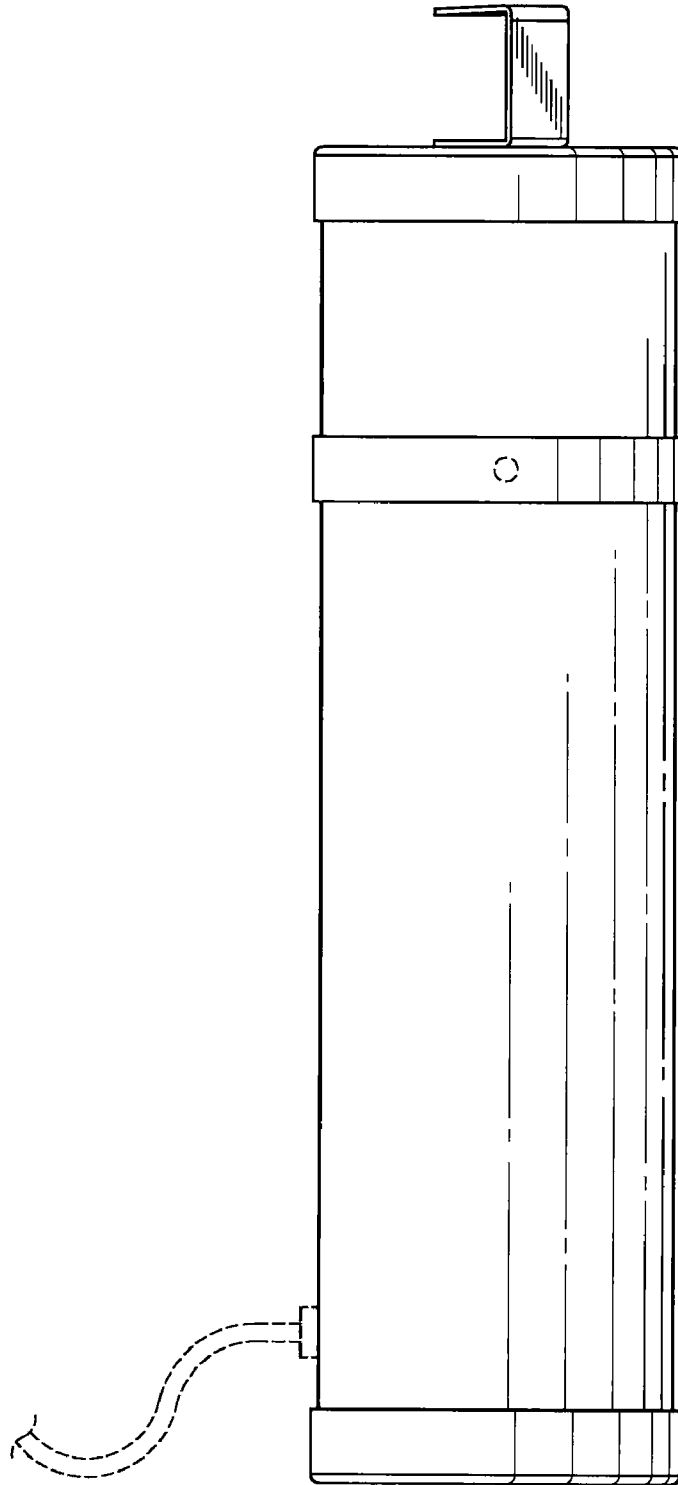


Fig. 2

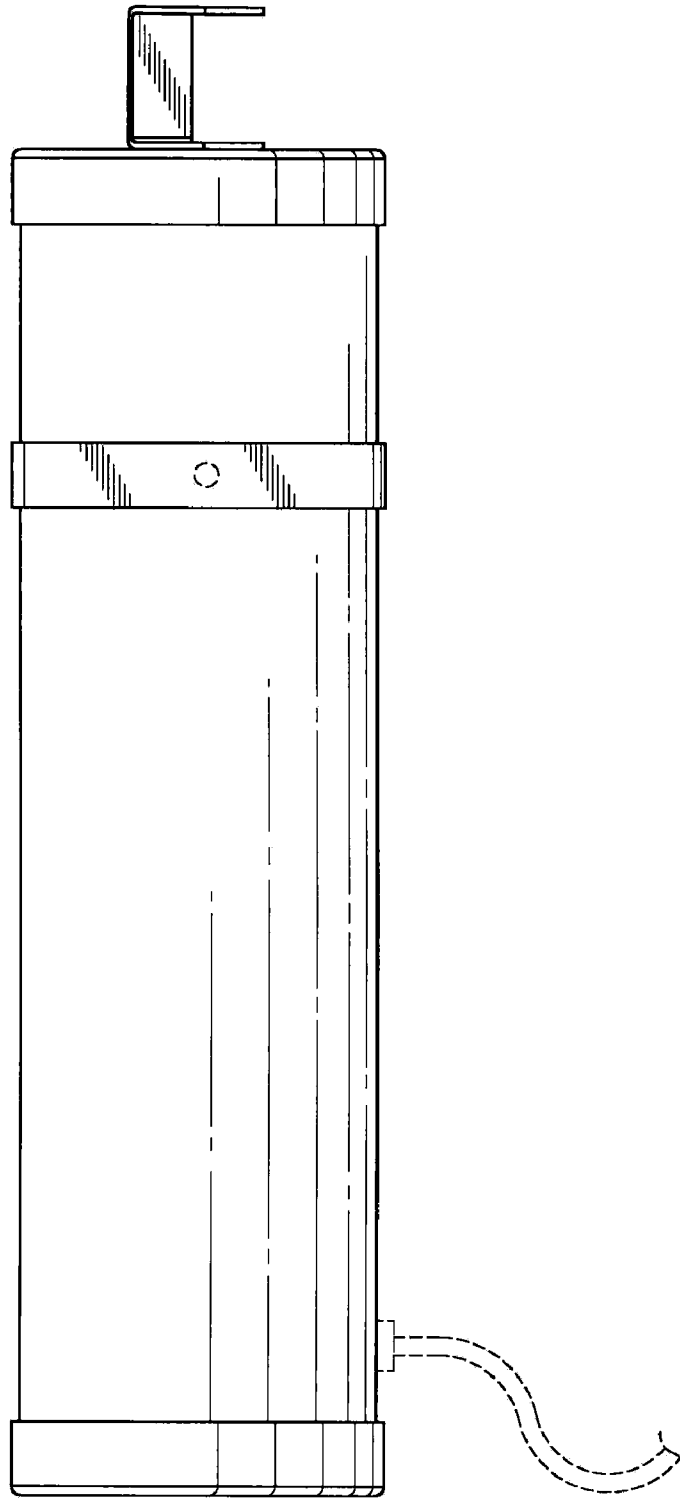


Fig. 3

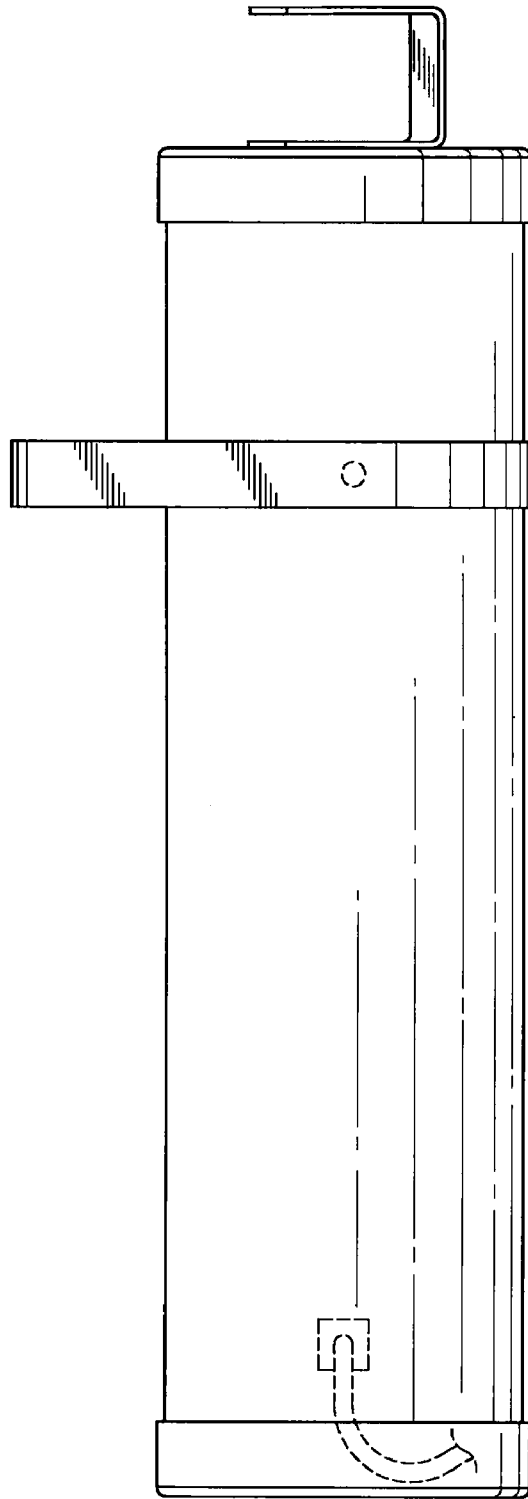


Fig. 4

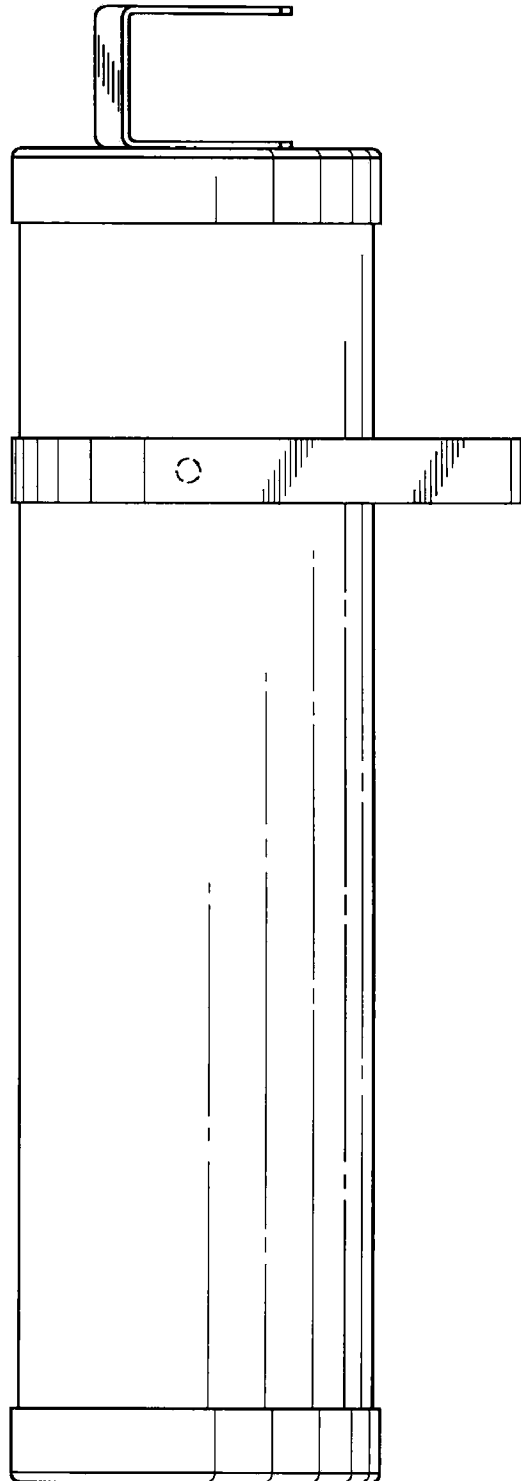


Fig. 5

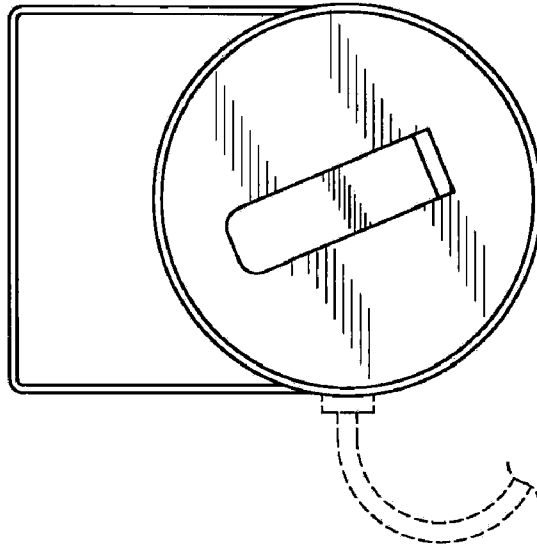


Fig. 6

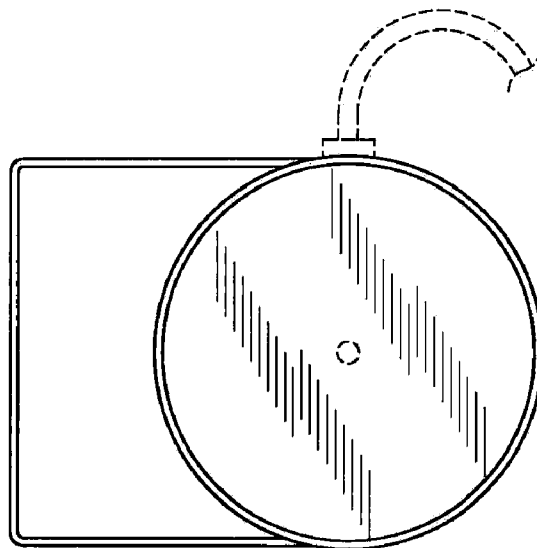


Fig. 7