

(19)



Europäisches Patentamt  
European Patent Office  
Office européen des brevets



(11)

**EP 1 221 919 B1**

(12)

**EUROPEAN PATENT SPECIFICATION**

(45) Date of publication and mention  
of the grant of the patent:  
**23.02.2005 Bulletin 2005/08**

(51) Int Cl.7: **A61F 9/00, A61K 9/00**

(21) Application number: **00972099.6**

(86) International application number:  
**PCT/US2000/028187**

(22) Date of filing: **12.10.2000**

(87) International publication number:  
**WO 2001/028474 (26.04.2001 Gazette 2001/17)**

**(54) OPHTHALMIC DRUG DELIVERY DEVICE**

OPHTHALMOLOGISCHE MEDIKAMENTENZUFÜHRVORRICHTUNG

DISPOSITIF D'ADMINISTRATION DE MEDICAMENTS OPHTALMIQUES

(84) Designated Contracting States:  
**AT BE CH CY DE DK ES FI FR GB GR IE IT LI LU  
MC NL PT SE**

(72) Inventor: **YAACOBI, Yoseph  
Fort Worth, TX 76132 (US)**

(30) Priority: **21.10.1999 US 160673 P  
19.09.2000 US 664790**

(74) Representative: **Hanna, Peter William Derek et al  
Hanna, Moore & Curley,  
11 Mespil Road,  
Dublin 4 (IE)**

(43) Date of publication of application:  
**17.07.2002 Bulletin 2002/29**

(56) References cited:  
**DE-A- 4 022 553 US-A- 5 725 493  
US-A- 5 743 274**

(73) Proprietor: **Alcon Inc.  
6331 Hünenberg (CH)**

**EP 1 221 919 B1**

Note: Within nine months from the publication of the mention of the grant of the European patent, any person may give notice to the European Patent Office of opposition to the European patent granted. Notice of opposition shall be filed in a written reasoned statement. It shall not be deemed to have been filed until the opposition fee has been paid. (Art. 99(1) European Patent Convention).

## Description

### Field of the Invention

[0001] The present invention generally pertains to biocompatible implants for localized delivery of pharmaceutically active agents to body tissue. More particularly, but not by way of limitation, the present invention pertains to biocompatible implants for localized delivery of pharmaceutically active agents to the posterior segment of the eye.

### Description of the Related Art

[0002] Several diseases and conditions of the posterior segment of the eye threaten vision. Age related macular degeneration (ARMD), choroidal neovascularization (CNV), retinopathies (e.g., diabetic retinopathy, vitreoretinopathy), retinitis (e.g., cytomegalovirus (CMV) retinitis), uveitis, macular edema, glaucoma, and neuropathies are several examples.

[0003] Age related macular degeneration (ARMD) is the leading cause of blindness in the elderly. ARMD attacks the center of vision and blurs it, making reading, driving, and other detailed tasks difficult or impossible. About 200,000 new cases of ARMD occur each year in the United States alone. Current estimates reveal that approximately forty percent of the population over age 75, and approximately twenty percent of the population over age 60, suffer from some degree of macular degeneration. "Wet" ARMD is the type of ARMD that most often causes blindness. In wet ARMD, newly formed choroidal blood vessels (choroidal neovascularization (CNV)) leak fluid and cause progressive damage to the retina.

[0004] In the particular case of CNV in ARMD, three main methods of treatment are currently being developed, (a) photocoagulation, (b) the use of angiogenesis inhibitors, and (c) photodynamic therapy. Photocoagulation is the most common treatment modality for CNV. However, photocoagulation can be harmful to the retina and is impractical when the CNV is near the fovea. Furthermore, over time, photocoagulation often results in recurrent CNV. Oral or parenteral (non-ocular) administration of anti-angiogenic compounds is also being tested as a systemic treatment for ARMD. However, due to drug-specific metabolic restrictions, systemic administration usually provides sub-therapeutic drug levels to the eye. Therefore, to achieve effective intraocular drug concentrations, either an unacceptably high dose or repetitive conventional doses are required. Periocular injections of these compounds often result in the drug being quickly washed out and depleted from the eye, via periocular vasculature and soft tissue, into the general circulation. Repetitive intraocular injections may result in severe, often blinding, complications such as retinal detachment and endophthalmitis. Photodynamic therapy is a new technology for which the long-term efficacy

is still largely unknown.

[0005] In order to prevent complications related to the above-described treatments and to provide better ocular treatment, researchers have suggested various implants aimed at localizing delivery of anti-angiogenic compounds to the eye. U.S. Patent No. 5,824,072 to Wong discloses a non-biodegradable polymeric implant with a pharmaceutically active agent disposed therein. The pharmaceutically active agent diffuses through the polymer body of the implant into the target tissue. The pharmaceutically active agent may include drugs for the treatment of macular degeneration and diabetic retinopathy. The implant is placed substantially within the tear fluid upon the outer surface of the eye over an avascular region, and may be anchored in the conjunctiva or sclera; episclerally or intrasclerally over an avascular region; substantially within the suprachoroidal space over an avascular region such as the pars plana or a surgically induced avascular region; or in direct communication with the vitreous.

[0006] U.S. Patent No. 5,476,511 to Gwon et al. discloses a polymer implant for placement under the conjunctiva of the eye. The implant may be used to deliver neovascular inhibitors for the treatment of ARMD and drugs for the treatment of retinopathies, and retinitis. The pharmaceutically active agent diffuses through the polymer body of the implant.

[0007] U.S. Patent No. 5,773,019 to Ashton et al. discloses a non-bioerodable polymer implant for delivery of certain drugs including angiostatic steroids and drugs such as cyclosporine for the treatment of uveitis. Once again, the pharmaceutically active agent diffuses through the polymer body of the implant.

[0008] All of the above-described implants require careful design and manufacture to permit controlled diffusion of the pharmaceutically active agent through a polymer body (i.e., matrix devices) or polymer membrane (i.e., reservoir devices) to the desired site of therapy. Drug release from these devices depends on the porosity and diffusion characteristics of the matrix or membrane, respectively. These parameters must be tailored for each drug moiety to be used with these devices. Consequently, these requirements generally increase the complexity and cost of such implants.

[0009] U.S. Patent No. 5,824,073 to Peyman discloses an indenter for positioning in the eye. The indenter has a raised portion that is used to indent or apply pressure to the sclera over the macular area of the eye. This patent discloses that such pressure decreases choroidal congestion and blood flow through the subretinal neovascular membrane, which, in turn, decreases bleeding and subretinal fluid accumulation.

[0010] Document US-A-5 725 493 discloses a drug delivery device for a human eye comprising a body having a concave shaped surface for placement on the sclera of the eye and an inner reservoir containing a pharmaceutically active agent.

[0011] Therefore, a need exists in the biocompatible

implant field for a surgically implantable ophthalmic drug delivery device capable of safe, effective, rate-controlled, localized delivery of a wide variety of pharmaceutically active agents. The surgical procedure for implanting such a device should be safe, simple, quick, and capable of being performed in an outpatient setting. Ideally, such a device should be easy and economical to manufacture. Furthermore, because of its versatility and capability to deliver a wide variety of pharmaceutically active agents, such an implant should be capable of use in ophthalmic clinical studies to deliver various agents that create a specific physical condition in a patient. Such an ophthalmic drug delivery device is especially needed for localized delivery of pharmaceutically active agents to the posterior segment of the eye to combat ARMD, CNV, retinopathies, retinitis, uveitis, macular edema, glaucoma, and neuropathies.

#### Summary of the Invention

**[0012]** The present invention is directed to a drug delivery device for a human eye as detailed in claim 1. Preferred embodiments are provided in the dependent claims. The human eye has a sclera, an inferior oblique muscle, and a macula. The device of the present invention includes a pharmaceutically active agent, and a geometry that facilitates the implantation of the device on an outer surface of the sclera, beneath the inferior oblique muscle, and with the pharmaceutically active agent disposed above the macula. Because of its unique geometry, the device is especially useful for localized delivery of pharmaceutically active agents to the posterior segment of the eye to combat ARMD, CNV, retinopathies, retinitis, uveitis, macular edema, glaucoma, and neuropathies.

#### Brief Description of the Drawings

**[0013]** For a more complete understanding of the present invention, and for further objects and advantages thereof, reference is made to the following description taken in conjunction with the accompanying drawings in which:

FIG. 1 is a side sectional view schematically illustrating the human eye and an ophthalmic drug delivery device implanted in the posterior segment of the eye according to the present invention;

FIG. 2 is a detailed cross-sectional view of the eye of FIG. 1 along line 2-2;

FIG. 3 is a three dimensional schematic representation of the human eye in situ;

FIG. 4 shows the eye of FIG. 3 after partial removal of the lateral rectus muscle;

FIG. 5 is a schematic representation of the anterior view of a human eye;

FIG. 6 is a schematic representation of the posterior view of a human eye;

FIG. 7 is a perspective, orbital view of an ophthalmic drug delivery device for the right human eye according to a first preferred embodiment of the present invention;

FIG. 8 is a perspective, orbital view of the ophthalmic drug delivery device of FIGS. 7 and 9 including a ramp for mating with the inferior oblique muscle; FIG. 9 is a perspective, scleral view of the ophthalmic drug delivery device of FIG. 7;

FIG. 10 is a perspective view of an oval shaped drug core or tablet for use with the ophthalmic drug delivery devices of the present invention;

FIG. 11 is a perspective view of two, mating half-oval shaped drug cores or tablets for use with the ophthalmic drug delivery devices of the present invention;

FIG. 12 is a perspective, orbital view of the ophthalmic drug delivery device of FIGS. 7 and 9 for the left human eye;

FIG. 13 is a perspective, orbital view of the ophthalmic drug delivery device of FIGS. 12 and 14 including a ramp for mating with the inferior oblique muscle;

FIG. 14 is a perspective, scleral view of the ophthalmic drug delivery device of FIGS. 7 and 9 for the left human eye;

FIG. 15 is a perspective, orbital view of the ophthalmic drug delivery device of FIGS. 7 and 9 including a tapered longitudinal part of the device;

FIG. 16 is a perspective, orbital view of a shortened version of the ophthalmic drug delivery device of FIGS. 7 and 9;

FIG. 17 is a perspective, orbital view of the ophthalmic drug delivery device of FIG. 16 including a ramp for mating with the inferior oblique muscle;

FIG. 18 is a perspective, orbital view of an ophthalmic drug delivery device for the right human eye according to a second preferred embodiment of the present invention;

FIG. 19 is a perspective, orbital view of the ophthalmic drug delivery device of FIG. 18 including a ramp for mating with the inferior oblique muscle;

FIG. 20 is a perspective, orbital view of an ophthalmic drug delivery device for the right human eye according to a third preferred embodiment of the present invention; and

FIG. 21 is a perspective, orbital view of the ophthalmic drug delivery device of FIG. 20 including a ramp for mating with the inferior oblique muscle.

#### Detailed Description of the Preferred Embodiments

**[0014]** The preferred embodiments of the present invention and their advantages are best understood by referring to FIGS. 1 through 21 of the drawings, like numerals being used for like and corresponding parts of the various drawings.

**[0015]** FIGS. 1 through 6 illustrate various portions of

the human eye important to a complete understanding of the present invention. Referring first to FIG. 1, a human eye 90 is schematically illustrated. Eye 90 has a cornea 92, a lens 93, vitreous 95, a sclera 100, a choroid 99, a retina 97, and an optic nerve 96. Eye 90 is generally divided into an anterior segment 89 and a posterior segment 88. Anterior segment 89 of eye 90 generally includes the portions of eye 90 anterior of ora serata 11. Posterior segment 88 of eye 90 generally includes the portions of eye 90 posterior of ora serata 11. Retina 97 is physically attached to choroid 99 in a circumferential manner proximate pars plana 13, posteriorly to optic disk 19. Retina 97 has a macula 98 located slightly lateral to optic disk 19. As is well known in the ophthalmic art, macula 98 is comprised primarily of retinal cones and is the region of maximum visual acuity in retina 97. A Tenon's capsule or Tenon's membrane 101 is disposed on sclera 100. A conjunctiva 94 covers a short area of the globe of eye 90 posterior to limbus 115 (the bulbar conjunctiva) and folds up (the upper cul-de-sac) or down (the lower cul-de-sac) to cover the inner areas of upper eyelid 78 and lower eyelid 79, respectively. Conjunctiva 94 is disposed on top of Tenon's capsule 101.

[0016] As is shown in FIGS. 1 and 2, and as is described in greater detail hereinbelow, device 50 is preferably disposed directly on the outer surface of sclera 100, below Tenon's capsule 101 for treatment of most posterior segment diseases or conditions. In addition, for treatment of ARMD and CNV in humans, device 50 is preferably disposed directly on the outer surface of sclera 100, below Tenon's capsule 101, with an inner core of device 50 proximate macula 98.

[0017] FIG. 3 illustrates a left human eye 90 within its orbit 112. As can be seen from FIG. 3, inferior oblique muscle 107 runs under lateral rectus muscle 105. The insertion line 107a of inferior oblique muscle 107 into sclera 100 is located just above the superior border of lateral rectus muscle 105. Of course, the position of the inferior oblique muscle in a right human eye 90 is a mirror image to its position on left human eye 90 of FIG. 3. Cornea 92, conjunctiva 94, superior rectus muscle 103, inferior rectus muscle 104, superior oblique muscle 106, and limbus 115 are also shown in FIG. 3.

[0018] FIG. 4 similarly shows a left human eye 90 within its orbit 112. However, a portion of lateral rectus muscle 105 is not shown in FIG. 4 to allow visibility of the portion of sclera 100 and optic nerve 96 usually hidden by the muscle. In FIG. 4, an insertion line 107b of inferior oblique muscle 107 into sclera 100 is lower than insertion line 107a of FIG. 3, indicating the representative physiological variability of the insertion line of the inferior oblique muscle in the human eye.

[0019] FIG. 5 schematically illustrates an anterior view of human eye 90 with its four recti muscles, the superior rectus muscle 103, the medial rectus muscle 108, the inferior rectus muscle 104, and the lateral rectus muscle 105. FIG. 5 also shows the relationship be-

tween the limbus, represented in FIG. 5 by circumferential line 115, and the insertion lines of the recti muscles, represented in FIG. 5 by circumferential lines 113.

[0020] The posterior view of human eye 90 is schematically illustrated in FIG. 6. FIG. 6 shows the locations of the superior rectus muscle 103, the lateral rectus muscle 105, the inferior rectus muscle 104, the medial rectus muscle 108, the superior oblique muscle 106, the inferior oblique muscle 107 and its insertion line 107a, the optic nerve 96, the ciliary vessels 109, the sclera 100, the scleral area 110 above macula 98, the long ciliary arteries 111, and the vortex veins 114.

[0021] FIGS. 7 and 9 schematically illustrate an ophthalmic drug delivery device 50 for the right human eye according to a first preferred embodiment of the present invention. Device 50 may be used in any case where localized delivery of a pharmaceutically active agent to the eye is required. Device 50 is particularly useful for localized delivery of pharmaceutically active agents to the posterior segment of the eye. A preferred use for device 50 is the delivery of pharmaceutically active agents to the retina proximate the macula for treating ARMD, choroidal neovascularization (CNV), retinopathies, retinitis, uveitis, macular edema, glaucoma, and neuropathies.

[0022] Device 50 generally includes a body 21 having a convex, dome-shaped, orbital surface 12 and a concave, dome-shaped, scleral surface 14. Scleral surface 14 is designed with a radius of curvature that facilitates direct contact with sclera 100. Most preferably, scleral surface 14 is designed with a radius of curvature equal to the radius of curvature 91 of an average human eye 90. (See FIG. 1) Orbital surface 12 is preferably designed with a radius of curvature that facilitates implantation under Tenon's capsule 101. When viewed from the top, body 21 preferably has a generally "F-shaped" geometry with a longitudinal part 15, a transversal part 18, and a knee 32 therebetween. Longitudinal part 15 and transversal part 18 are joined at knee 32 to form an angle of about ninety degrees. Longitudinal part 15 has a proximal end 25, a rounded edge 24, a stopper 36, and a notch 42. As is described in more detail hereinbelow, notch 42 is designed to accommodate the origin of inferior oblique muscle 107. Stopper 36 defines the lower portion of notch 42 and is preferably slightly elevated from the remainder of the generally convex orbital surface 12. As is described in greater detail hereinbelow, stopper 36 is designed to prevent excessive advancement of device 50 toward optic nerve 96 through contact on the anterior border of inferior oblique muscle 107. Transversal part 18 has a distal end 58, a rounded edge 28, and a well or cavity 20 having an opening 64 to scleral surface 14. Well 20 and opening 64 preferably have a generally oval shape. As is explained in more detail hereinbelow, transversal part 18 allows cavity 20 to be placed more directly over the area of sclera 100 overlying macula 98.

[0023] An inner core 81, which is shown in FIG. 10, is

disposed in well 20. As shown in FIG. 10, inner core 81 is preferably a tablet comprising one or more pharmaceutically active agents. Tablet 81 preferably has a generally oval body 46 with a concave, dome-shaped, scleral surface 85 and a convex, dome-shaped, orbital surface 86. Body 46 also preferably has a peripheral bevel 87 disposed thereon. Alternatively, as shown in FIG. 11, the inner core may comprise mating, half-oval tablets 82a and 82b. Tablet 82a preferably has a body 47 identical to one half of body 46 of tablet 81. Tablet 82b preferably has a body 48 equal to the opposite half of body 46 of tablet 81. Still further in the alternative, inner core 81, or inner cores 82a and 82b, may comprise a conventional hydrogel, gel, paste, or other semi-solid dosage form having one or more pharmaceutically active agents disposed therein.

**[0024]** Returning to FIG. 9, a retaining member 62 is preferably disposed proximate opening 64. Retaining member 62 prevents inner core 81 from falling out of well 20. When inner core 81 is a tablet, retaining member 62 is preferably a continuous rim or lip disposed circumferentially around opening 64 that is designed to accommodate bevel 87 of tablet 81. Alternatively, retaining member 62 may comprise one or more members that extend from body 21 into opening 64.

**[0025]** Although not shown in FIGS. 9 through 11, inner core 81 may alternatively comprise a suspension, solution, powder, or combination thereof containing one or more pharmaceutically active agents.

**[0026]** The geometry and dimensions of device 50 maximize communication between the pharmaceutically active agent of inner core 81 and the tissue underlying scleral surface 14. Scleral surface 14 preferably physically contacts the outer surface of sclera 100. Alternatively, scleral surface 14 may be disposed proximate the outer surface of sclera 100. By way of example, device 50 may be disposed in the periocular tissues just above the outer surface of sclera 100 or intra-lamellarly within sclera 100.

**[0027]** Body 21 preferably comprises a biocompatible, non-bioerodable material. Body 21 more preferably comprises a biocompatible, non-bioerodable polymeric composition. Said polymeric composition may be a homopolymer, a copolymer, straight, branched, cross-linked, or a blend. Examples of polymers suitable for use in said polymeric composition include silicone, polyvinyl alcohol, ethylene vinyl acetate, polylactic acid, nylon, polypropylene, polycarbonate, cellulose, cellulose acetate, polyglycolic acid, polylactic-glycolic acid, cellulose esters, polyethersulfone, acrylics, their derivatives, and combinations thereof. Examples of suitable soft acrylics are more fully disclosed in U.S. Patent No. 5,403,901. Said polymeric composition most preferably comprises silicone. Of course, said polymeric composition may also comprise other conventional materials that affect its physical properties, including, but not limited to, porosity, tortuosity, permeability, rigidity, hardness, and smoothness. Exemplary materials affecting certain

ones of these physical properties include conventional plasticizers, fillers, and lubricants. Said polymeric composition may comprise other conventional materials that affect its chemical properties, including, but not limited to, toxicity, hydrophobicity, and body 21 - inner core 81 interaction. Body 21 is preferably impermeable to the pharmaceutically active agent of inner core 81. When body 21 is made from a generally elastic polymeric composition, the shape of well 20 may be made slightly smaller than the shape of inner core 81. This frictional fit secures inner core 81 within well 20. In this embodiment, body 21 may be formed with or without retaining member 62, and inner core 81 may be formed with or without bevel 87, if desired.

**[0028]** Inner core 81 may comprise any ophthalmically acceptable pharmaceutically active agents suitable for localized delivery. Examples of pharmaceutically active agents suitable for inner core 81 are anti-infectives, including, without limitation, antibiotics, antivirals, and antifungals; antiallergenics and mast cell stabilizers; steroidal and non-steroidal anti-inflammatory agents; cyclooxygenase inhibitors, including, without limitation, Cox I and Cox II inhibitors; combinations of anti-infective and anti-inflammatory agents; anti-glaucoma agents, including, without limitation, adrenergics,  $\beta$ -adrenergic blocking agents,  $\alpha$ -adrenergic agonists, parasymphomimetic agents, cholinesterase inhibitors, carbonic anhydrase inhibitors, and prostaglandins; combinations of anti-glaucoma agents; antioxidants; nutritional supplements; drugs for the treatment of cystoid macular edema including, without limitation, non-steroidal anti-inflammatory agents; drugs for the treatment of ARMD, including, without limitation, angiogenesis inhibitors and nutritional supplements; drugs for the treatment of herpetic infections and CMV ocular infections; drugs for the treatment of proliferative vitreoretinopathy including, without limitation, antimetabolites and fibrinolytics; wound modulating agents, including, without limitation, growth factors; antimetabolites; neuroprotective drugs, including, without limitation, eliprodil; and angiostatic steroids for the treatment of diseases or conditions of the posterior segment of the eye, including, without limitation, ARMD, CNV, retinopathies, retinitis, uveitis, macular edema, and glaucoma. Such angiostatic steroids are more fully disclosed in U.S. Patent Nos. 5,679,666 and 5,770,592.

**[0029]** Preferred ones of such angiostatic steroids include 4,9(11)-Pregnadien-17 $\alpha$ ,21-diol-3,20-dione and 4,9(11)-Pregnadien-17 $\alpha$ ,21-diol-3,20-dione-21-acetate. A preferred non-steroidal anti-inflammatory for the treatment of cystoid macular edema is nepafenac. Inner core 81 may also comprise conventional non-active excipients to enhance the stability, solubility, penetrability, or other properties of the active agent or the drug core.

**[0030]** If inner core 81 is a tablet, it may further comprise conventional excipients necessary for tableting, such as fillers and lubricants. Such tablets may be produced using conventional tableting methods. The phar-

maceutically active agent is preferably distributed evenly throughout the tablet. In addition to conventional tablets, inner core 81 may comprise a special tablet that bioerodes at a controlled rate, releasing the pharmaceutically active agent. By way of example, such bioerosion may occur through hydrolysis or enzymatic cleavage. If inner core 81 is a hydrogel or other gel, such gels may bioerode at a controlled rate, releasing the pharmaceutically active agent. Alternatively, such gels may be non-bioerodable but allow diffusion of the pharmaceutically active agent.

**[0031]** Device 50 may be made by conventional polymer processing methods, including, but not limited to, injection molding, extrusion molding, transfer molding, and compression molding. Preferably, device 50 is formed using conventional injection molding techniques. Inner core 81 is disposed in well 20 after the formation of body 21 of device 50. Retaining member 62 is preferably resilient enough to allow bevel 87 of inner core 81 to be inserted through opening 64 and then to return to its original position.

**[0032]** Device 50 is preferably surgically placed directly on the outer surface of sclera 100 below Tenon's capsule 101 with well 20 and inner core 81 directly over the area of sclera 100 above macula 98 using the following preferred technique that is capable of being performed in an outpatient setting. The surgeon first performs an 8 mm peritomy in one of the quadrants of eye 90. Preferably, the surgeon performs the peritomy in the infra-temporal quadrant, about 3 mm posterior to limbus 115 of eye 90. Once this incision is made, the surgeon performs a blunt dissection to separate Tenon's capsule 101 from sclera 100. Using scissors and blunt dissection, an antero-posterior tunnel is formed along the outer surface of sclera 100 and below inferior oblique muscle 107, preferably following the inferior border of lateral rectus muscle 105. The inferior oblique muscle 107 is then engaged with a Jamison muscle hook. The tip of the hook is then advanced just posterior to the inferior oblique muscle to form a portion of the tunnel that will accommodate transversal part 18 of device 50. Once the tunnel is formed, the surgeon uses Nuggett forceps to hold transversal part 18 of device 50 with scleral surface 14 facing sclera 100 and distal end 58 of transversal part 18 away from the surgeon. The surgeon then introduces device 50, distal end 58 first, into the tunnel at the level of the peritomy. Once in the tunnel, the surgeon advances device 50 along the tunnel toward inferior oblique muscle 107 until stopper 36 contacts the anterior border of muscle 107. At the level of the visualized inferior oblique muscle 107, the surgeon rotates device 50 underneath muscle 107 so that transversal portion 18 of device 50 enters the portion of the tunnel just posterior to inferior oblique muscle 107. When the surgeon feels that knee 32 cannot advance any further, the surgeon slightly moves device 50 in an antero-posterior direction to allow for the accommodation of inferior oblique muscle 107 within notch 42 between transversal

part 18 and stopper 36. Due to the notch 42 and the location of well 20 near distal end 58 of transversal part 18, inner core 81 is positioned directly over the portion of sclera 100 above macula 98. Proximal end 25 of longitudinal part 15 may then be sutured to sclera 100. The surgeon then closes the peritomy by suturing Tenon's capsule 101 and conjunctiva 94 to sclera 100. After closing, the surgeon places a strip of antibiotic ointment on the surgical wound. All sutures are preferably 7-0 Vicryl sutures. For the treatment of ARMD and CNV, the pharmaceutically active agent of inner core 81 is preferably one of the angiostatic steroids disclosed in U.S. Patent Nos. 5,679,666 and 5,770,592.

**[0033]** The geometry of body 21 of device 50, including the concave nature of scleral surface 14; the shape and locations of transversal portion 18, well 20, opening 64, inner core 81, and retaining member 62; and the shape and locations of notch 42 and stopper 36, all facilitate the delivery of a pharmaceutically effective amount of the pharmaceutically active agent from inner core 81 through sclera 100, choroid 99, and into retina 97, and more particularly into macula 98. The absence of a polymer layer or membrane between inner core 20 and sclera 100 also greatly enhances and simplifies the delivery of an active agent to retina 97.

**[0034]** It is believed that device 50 can be used to deliver a pharmaceutically effective amount of a pharmaceutically active agent to retina 97 for many years, depending on the particular physicochemical properties of the pharmaceutically active agent employed. Important physicochemical properties include hydrophobicity, solubility, dissolution rate, diffusion coefficient, partitioning coefficient, and tissue affinity. After inner core 20 no longer contains active agent, the surgeon may easily remove device 50. In addition, the "pre-formed" tunnel facilitates the replacement of an old device 50 with a new device 50.

**[0035]** FIG. 8 illustrates an ophthalmic drug delivery device 60, a slight modification of ophthalmic drug delivery device 50 that is useful for certain implantations of the present invention. As shown in FIG. 8, device 60 has a geometry substantially similar to device 50 of FIGS. 7 and 9, with the exception that a ramp 45 has been added to orbital surface 12 of body 21 proximate notch 42. Ramp 45 is a slanted surface that preferably travels from scleral surface 14, on a first end, to orbital surface 12 on a second end. Alternatively, ramp 45 may travel from a location within edge 24 of longitudinal part 15, on a first end, to orbital surface 12 on a second end. Ramp 45 facilitates the accommodation of inferior oblique muscle 107 within notch 42 between transversal part 18 and stopper 36 when device 60 is implanted within eye 90, as described hereinabove in connection with device 50. Device 60 may be made using techniques substantially similar to device 50.

**[0036]** FIGS. 12 and 14 schematically illustrates an ophthalmic drug delivery device 70 for the left human eye. The geometry of device 70 is a mirror image of the

geometry of device 50 for the right human eye as described hereinabove in connection with FIGS. 7 and 9. The use of device 70 is substantially identical to the use of device 50, and device 70 may be made using techniques substantially similar to device 50.

**[0037]** FIG. 13 illustrates an ophthalmic drug delivery device 75 for the left human eye, a slight modification of ophthalmic drug delivery device 70 that is useful for certain implantations of the present invention. The geometry and use of device 75 of FIG. 13 is substantially similar to the geometry and use of device 60 of FIG. 8, except that device 75 is a mirror image of device 60.

**[0038]** FIG. 15 schematically illustrates an ophthalmic drug delivery device 30, a slight modification of ophthalmic drug delivery device 50 that is useful for certain implantations of the present invention. As shown in FIG. 15, device 30 has a geometry substantially similar to device 50 of FIGS. 7 and 9, with the exception that longitudinal part 15 has a tapered thickness, when viewed from edge 24, preferably beginning at a location 33 and continuing to proximal end 25. This portion of longitudinal part 15 is disposed anteriorly within eye 90 and may be visible to others. Therefore, due to this tapered thickness, device 30 may be more comfortable or cosmetically acceptable to the patient. The use of device 30 of FIG. 15 is substantially similar to the use of device 50, and device 30 may be made using techniques substantially similar to device 50.

**[0039]** FIGS. 16 schematically illustrates an ophthalmic drug delivery device 40, a slight modification of ophthalmic drug delivery device 50 that is useful for certain implantations of the present invention. As shown in FIG. 16, device 40 has a geometry substantially similar to device 50 of FIGS. 7 and 9, with the exception that a length of longitudinal part 15 in device 40 has been shortened relative to device 50. Similar to device 30, this shortening of longitudinal part 15 may result in device 40 being more comfortable or cosmetically acceptable to the patient. The use of device 40 of FIG. 16 is substantially similar to the use of device 50, and device 40 may be made using techniques substantially similar to device 50.

**[0040]** FIG. 17 illustrates an ophthalmic drug delivery device 80, a slight modification of ophthalmic drug delivery device 40 that is useful for certain implantations of the present invention. As shown in FIG. 17, device 80 has a geometry substantially similar to device 40 of FIG. 16, with the exception that a ramp 45 has been added to orbital surface 12 of body 21 proximate notch 42. Ramp 45 is a slanted surface that preferably travels from scleral surface 14, on a first end, to orbital surface 12 on a second end. Alternatively, ramp 45 may travel from a point within edge 24 of longitudinal part 15, on a first end, to orbital surface 12 on a second end. Ramp 45 facilitates the accommodation of inferior oblique muscle 107 within notch 42 between transversal part 18 and stopper 36 when device 80 is implanted within eye 90, as described hereinabove in connection with device 50.

Device 80 may be made using techniques substantially similar to device 50.

**[0041]** FIG. 18 schematically illustrates an ophthalmic drug delivery device 65 for the right human eye according to a second preferred embodiment of the present invention. Device 65 may be used in any case where localized delivery of a pharmaceutically active agent to the eye is required. Device 65 is particularly useful for localized delivery of active agents to the posterior segment of the eye. A preferred use for device 65 is the delivery of pharmaceutically active agents to the retina proximate the macula for treating ARMD, choroidal neovascularization (CNV), retinopathies, retinitis, uveitis, macular edema, glaucoma, and neuropathies.

**[0042]** Device 65 generally includes a body 29 having a convex, dome-shaped, orbital surface 12 and a concave, dome-shaped, scleral surface 14 (not shown). Scleral surface 14 is designed with a radius of curvature that facilitates direct contact with sclera 100. Most preferably, scleral surface 14 is designed with a radius of curvature equal to the radius of curvature 91 of an average human eye 90. Orbital surface 12 is preferably designed with a radius of curvature that facilitates implantation under Tenon's capsule 101. When viewed from the top, body 21 preferably has a generally "C-shaped" geometry with a longitudinal part 17, a transversal part 18, and a knee 32 therebetween. Longitudinal part 17 and transversal part 18 are preferably joined at knee 32 to form an angle of about ninety degrees. Longitudinal part 17 has a proximal end 25 and a rounded edge 24. A stopper 37 forms the "lower" part of the C-shaped geometry and is preferably slightly elevated from the remainder of the generally convex orbital surface 12. A notch 42 is located in longitudinal part 17 and is defined by transversal part 18 and stopper 37. Similar to notch 42 of device 50 of FIGS. 7 and 9, notch 42 of device 65 is designed to accommodate the origin of inferior oblique muscle 107. Similar to stopper 36 of device 50, stopper 37 is designed to prevent excessive advancement of device 65 toward optic nerve 96 through contact on the anterior border of inferior oblique muscle 107. Transversal part 18 has a distal end 58, a rounded edge 28, and a well or cavity 20 having an opening 64 (not shown) to scleral surface 14 (not shown) for holding an inner core similar to those described above in connection with FIGS. 10 and 11. Well 20 and opening 64 preferably have a generally oval shape.

**[0043]** The use of device 65 is substantially similar to the use of device 50 as described hereinabove. Device 65 may be made using techniques substantially similar to device 50.

**[0044]** FIG. 19 illustrates an ophthalmic drug delivery device 67, a slight modification of ophthalmic drug delivery device 65 that is useful for certain implantations of the present invention. As shown in FIG. 19, device 67 has a geometry substantially similar to device 65 of FIG. 18, with the exception that a ramp 45 has been added to orbital surface 12 of body 29 proximate notch 42.

Ramp 45 is a slanted surface that preferably travels from scleral surface 14, on a first end, to orbital surface 12 on a second end. Alternatively, ramp 45 may travel from a point within edge 24 of longitudinal part 17, on a first end, to orbital surface 12 on a second end. Ramp 45 facilitates the accommodation of inferior oblique muscle 107 within notch 42 between transversal part 18 and stopper 37 when device 67 is implanted within eye 90, as described hereinabove in connection with device 50. Device 67 may be made using techniques substantially similar to device 50.

**[0045]** FIG. 20 schematically illustrates an ophthalmic drug delivery device 52 for the right human eye according a third preferred embodiment of the present invention. Device 52 may be used in any case where localized delivery of a pharmaceutically active agent to the eye is required. Device 52 is particularly useful for localized delivery of active agents to the posterior segment of the eye. A preferred use for device 52 is the delivery of pharmaceutically active agents to the retina proximate the macula for treating ARMD, choroidal neovascularization (CNV), retinopathies, retinitis, uveitis, macular edema, glaucoma, and neuropathies.

**[0046]** Device 52 generally includes a body 39 having a convex, dome-shaped, orbital surface 12 and a concave, dome-shaped scleral surface 14 (not shown). Scleral surface 14 is designed with a radius of curvature that facilitates direct contact with sclera 100. Most preferably, scleral surface 14 is designed with a radius of curvature equal to the radius of curvature 91 of an average human eye 90. Orbital surface 12 is preferably designed with a radius of curvature that facilitates implantation under Tenon's capsule 101. When viewed from the top, body 39 preferably has a generally "L-shaped" geometry with a longitudinal part 15, a transversal part 18, and a knee 32 therebetween. Longitudinal part 15 and transversal part 18 are preferably joined at knee 32 to form an angle of about ninety degrees. Similar to notch 42 of device 50 of FIGS. 7 and 9, longitudinal part 15 and transversal part 18 of device 52 form a region 43 designed to accommodate the origin of inferior oblique muscle 107. Longitudinal part 15 has a proximal end 25 and a rounded edge 24. Transversal part 18 has a distal end 58, a rounded edge 28, and a well or cavity 20 having an opening 64 (not shown) to scleral surface 14 for holding an inner core similar to those described above in connection with FIGS. 10 and 11. Well 20 and opening 64 preferably have a generally oval shape.

**[0047]** The use of device 52 is substantially similar is substantially similar to the use of device 50 as described hereinabove. Device 52 may be made using techniques substantially similar to device 50.

**[0048]** FIG. 21 illustrates an ophthalmic drug delivery device 54, a slight modification of ophthalmic drug delivery device 52 that is useful for certain implantations of the present invention. As shown in FIG. 21, device 54 has a geometry substantially similar to device 52 of FIG.

20, with the exception that a ramp 45 has been added to orbital surface 12 of body 29 proximate region 43. Ramp 45 is a slanted surface that preferably travels from scleral surface 14, on a first end, to orbital surface 12 on a second end. Alternatively, ramp 45 may travel from a point within edge 24 of longitudinal part 15, on a first end, to orbital surface 12 on a second end. Ramp 45 facilitates the accommodation of inferior oblique muscle 107 within region 43 when device 54 is implanted within eye 90, as described hereinabove in connection with device 50. Device 54 may be made using techniques substantially similar to device 50.

**[0049]** From the above, it may be appreciated that the present invention provides improved devices and methods for safe, effective, rate-controlled, localized delivery of a variety of pharmaceutically active agents to the eye, and particularly to the posterior segment of the eye to combat ARMD, CNV, retinopathies, retinitis, uveitis, macular edema, glaucoma, and neuropathies. The surgical procedure for implanting such devices is safe, simple, quick, and capable of being performed in an outpatient setting. Such devices are easy and economical to manufacture. Furthermore, because of their capability to deliver a wide variety of pharmaceutically active agents, such devices are useful in clinical studies to deliver various ophthalmic agents that create a specific physical condition in a patient.

**[0050]** The present invention is illustrated herein by example, and various modifications may be made by a person of ordinary skill in the art. For example, although the present invention is described hereinabove with reference to an ophthalmic drug delivery device having a generally "F-shaped", "C-shaped", or "L-shaped" geometry when viewed from the top, other geometries may be used, especially if they facilitate the placement of the device under the inferior oblique muscle and the location of pharmaceutically active agent over the macula when the device is implanted on the outer surface of the sclera and below the Tenon's capsule of the human eye.

**[0051]** It is believed that the operation and construction of the present invention will be apparent from the foregoing description. While the apparatus and methods shown or described above have been characterized as being preferred, various changes and modifications may be made therein without departing from the scope of the invention as defined in the following claims.

#### Claims

1. A drug delivery device (30,40,50,52,54,60,65,67, 70,75,80) for a human eye (90), said eye having sclera (100), an inferior oblique muscle (107), and a macula (98), said device comprising:

a body (21, 29, 39) having:

a convex dome shaped orbital surface (12)



and a concave dome shaped scleral surface (14), the body having a longitudinal part (15,17), a transversal part (18) and a knee (32) therebetween, the longitudinal part and the transversal part being joined at the knee to form an angle of about 90 degrees, the longitudinal part having a notch (42) or region (43) for accommodating the origin of the inferior oblique muscle, the transversal part having a well (20) having an opening (64) to the scleral surface (14); and an inner core (81) comprising a pharmaceutically active agent, the inner core (81) being insertable through said opening (64) to be disposed in said well (20);

wherein the geometry of the device allows an implantation of said device on an outer surface of said sclera, beneath said inferior oblique muscle (107), and with said pharmaceutically active agent disposed above said macula.

2. The drug delivery device of claim 1, wherein said body (21, 29, 39) comprises a biocompatible, non-bioerodable material.
3. The drug delivery device of claim 1, wherein said body (21, 29, 39) comprises a polymeric composition.
4. The drug delivery device of claim 3, wherein said polymeric composition comprises one or more polymers selected from the group consisting of silicone, polyvinyl alcohol, ethylene vinyl acetate, polylactic acid, nylon, polypropylene, polycarbonate, cellulose, cellulose acetate, polyglycolic acid, polylactic glycolic acid, cellulose esters, polyethersulfone, and acrylics.
5. The drug delivery device of claim 3, wherein said polymeric composition comprises silicone.
6. The drug delivery device of claim 1, wherein said body (21, 29, 39) is impermeable to said pharmaceutically active agent.
7. The drug delivery device of claim 1, wherein said inner core (81) is a tablet.
8. The drug delivery device of claim 1, wherein said inner core (81) comprises a semi-solid form, and said pharmaceutically active agent is disposed within said semi-solid form.
9. The drug delivery device of claim 1, wherein the geometry of the device allows implantation of said device below a Tenon's capsule of the human eye.

10. The drug delivery device of claim 1, wherein said pharmaceutically active agent is nepafenac.
11. The drug delivery device of claim 1, wherein said pharmaceutically active agent comprises a compound selected from the group consisting of 4,9(11)-Pregnadien-17a,21-diol-3,20-dione and 4,9(11)-Pregnadien-17a,21-diol-3,20-dione-21-acetate.
12. The drug delivery device of claim 1, wherein said pharmaceutically active agent comprises eliprodil.
13. The drug delivery device of claim 1, further comprising a retaining member (62) extending from said body (21, 29, 39) proximate said opening (64).
14. The drug delivery device of claim 1, wherein said notch (42) or a region (43) comprises a ramp (45).

#### Patentansprüche

1. Wirkstoffabgabereinrichtung (30, 40, 50, 52, 54, 60, 65, 67, 70, 75, 80) für ein menschliches Auge (90), wobei das Auge eine Sklera (100), einen unteren schrägen Muskel (107) und eine Makula (98) aufweist und die Vorrichtung folgendes umfaßt:

einen Körper (21, 29, 39) mit:

einer konvex gewölbten orbitalen Oberfläche (12) und einer konkav gewölbten skleralen Oberfläche (14), wobei der Körper einen longitudinalen Abschnitt (15, 17), einen transversalen Abschnitt (18) und ein Knie (32) dazwischen aufweist, der longitudinale Abschnitt und der transversale Abschnitt an dem Knie so verbunden sind, daß sie einen Winkel von etwa 90° bilden, der longitudinale Abschnitt eine Aussparung (42) oder einen Bereich (43) zum Aufnehmen des Ursprungs des unteren schrägen Muskels aufweist und der transversale Abschnitt eine Vertiefung (20) mit einer Öffnung (64) zu der skleralen Oberfläche (14) aufweist, und einem inneren Kern (81), der ein pharmazeutisch aktives Agens umfaßt, wobei der innere Kern (81) durch die Öffnung (64) einsetzbar ist, um in der Vertiefung (20) angeordnet zu werden,

wobei die Geometrie der Vorrichtung eine Implantation der Vorrichtung auf einer äußeren Oberfläche der Sklera unterhalb des unteren schrägen Muskels (107) ermöglicht, und wobei das pharmazeutisch aktive Agens über der Makula angeordnet ist.

2. Wirkstoffabgabeeinrichtung nach Anspruch 1, bei welcher der Körper (21, 29, 39) ein biokompatibles, biologisch nicht angreifbares Material umfaßt.
3. Wirkstoffabgabeeinrichtung nach Anspruch 1, bei welcher der Körper (21, 29, 39) eine Polymerzusammensetzung umfaßt.
4. Wirkstoffabgabeeinrichtung nach Anspruch 3, bei der die Polymerzusammensetzung ein oder mehrere Polymere umfaßt, die aus der Gruppe ausgewählt sind, die Silikon, Polyvinylalkohol, Ethylvinylacetat, polylaktische Säure, Nylon, Polypropylen, Polycarbonat, Zellulose, Zelluloseacetat, Polyglykolsäure, polylaktische Glykolsäure, Zelluloseester, Polyethersulfon und Acryle umfaßt.
5. Wirkstoffabgabeeinrichtung nach Anspruch 3, bei der die Polymerzusammensetzung Silikon umfaßt.
6. Wirkstoffabgabeeinrichtung nach Anspruch 1, bei welcher der Körper (21, 29, 39) für das pharmazeutisch aktive Agens undurchlässig ist.
7. Wirkstoffabgabeeinrichtung nach Anspruch 1, bei welcher der innere Kern (81) eine Tablette ist.
8. Wirkstoffabgabeeinrichtung nach Anspruch 1, bei welcher der innere Kern (81) eine halb feste Form aufweist und das pharmazeutisch aktive Agens in der halb festen Form verfügbar gemacht wird.
9. Wirkstoffabgabeeinrichtung nach Anspruch 1, bei der die Geometrie der Vorrichtung eine Implantation der Vorrichtung unterhalb einer Tenon-Kapsel des menschlichen Auges ermöglicht.
10. Wirkstoffabgabeeinrichtung nach Anspruch 1, bei der das pharmazeutisch aktive Agens Nepafenac ist.
11. Wirkstoffabgabeeinrichtung nach Anspruch 1, bei der das pharmazeutisch aktive Agens eine Verbindung umfaßt, die aus der Gruppe ausgewählt ist, welche 4,9(11)-Pregnadien-17a, 21-diol-3,20-dion und 4,9(11)-Pregnadien-17a,21-diol-3,20-dion-21-acetat umfaßt.
12. Wirkstoffabgabeeinrichtung nach Anspruch 1, bei der das pharmazeutisch aktive Agens Eliprodil umfaßt.
13. Wirkstoffabgabeeinrichtung nach Anspruch 1, die weiterhin ein Rückhalteelement (62) umfaßt, das sich von dem Körper (21, 29, 39) nahe an der Öffnung (64) erstreckt.
14. Wirkstoffabgabeeinrichtung nach Anspruch 1, bei

der die Aussparung (42) oder ein Bereich (43) eine Schräge (45) umfaßt.

## 5 Revendications

1. Dispositif d'administration de médicament (30, 40, 50, 52, 54, 60, 65, 67, 70, 75, 80) pour un oeil humain (90), ledit oeil ayant une sclère (100), un muscle oblique inférieur (107), et une macule (98), ledit dispositif comportant :

un corps (21, 29, 39) ayant :

une surface orbitale en forme de dôme convexe (12) et une surface sclérale en forme de dôme concave (14), le corps ayant une partie longitudinale (15, 17), une partie transversale (18) et un coude (32) entre ceux-ci, la partie longitudinale et la partie transversale étant raccordée au niveau du coude pour former un angle d'environ 90 degrés, la partie longitudinale ayant une encoche (42) ou une région (43) pour recevoir l'origine du muscle oblique inférieur, la partie transversale ayant un puits (20) ayant une ouverture (64) dans la surface sclérale (14), et un noyau intérieur (81) comportant un agent pharmaceutiquement actif, le noyau intérieur (81) pouvant être inséré à travers ladite ouverture (64) pour être positionné dans ledit puits (20),

dans lequel la géométrie du dispositif permet une implantation dudit dispositif sur une surface extérieure de ladite sclère, au-dessous dudit muscle oblique inférieur (107), et ledit agent pharmaceutiquement actif étant positionné au-dessus de ladite macule.

2. Dispositif d'administration de médicament selon la revendication 1, dans lequel ledit corps (21, 29, 39) comporte un matériau biocompatible, non-bioérodable.
3. Dispositif d'administration de médicament selon la revendication 1, dans lequel ledit corps (21, 29, 39) comporte une composition polymère.
4. Dispositif d'administration de médicament selon la revendication 3, dans lequel ladite composition polymère comporte un ou plusieurs polymères sélectionnés parmi le groupe constitué de silicone, alcool polyvinylique, vinylacétate d'éthylène, acide polylactique, Nylon, polypropylène, polycarbonate, cellulose, acétate de cellulose, acide polyglycolique, acide polylactique glycolique, esters de cellulose,

polyéthersulfone, et des acryliques.

5. Dispositif d'administration de médicament selon la revendication 3, dans lequel ladite composition polymère comporte un silicone. 5
6. Dispositif d'administration de médicament selon la revendication 1, dans lequel ledit corps (21, 29, 39) est imperméable audit agent pharmaceutiquement actif. 10
7. Dispositif d'administration de médicament selon la revendication 1, dans lequel ledit noyau intérieur (81) est un comprimé. 15
8. Dispositif d'administration de médicament selon la revendication 1, dans lequel ledit noyau intérieur (81) comporte une forme semi-solide, et ledit agent pharmaceutiquement actif est positionné dans ladite forme semi-solide. 20
9. Dispositif d'administration de médicament selon la revendication 1, dans lequel la géométrie du dispositif permet l'implantation dudit dispositif au-dessous d'une capsule de Tenon de l'oeil humain. 25
10. Dispositif d'administration de médicament selon la revendication 1, dans lequel ledit agent pharmaceutiquement actif est népafénac. 30
11. Dispositif d'administration de médicament selon la revendication 1, dans lequel ledit agent pharmaceutiquement actif comporte un composé sélectionné parmi le groupe constitué de 4,9(11)-Pregnadiene-17a,21-diol-3,20-dione et 4,9(11)-Pregnadiene-17a,21-diol-3,20-dione-21-acétate. 35
12. Dispositif d'administration de médicament selon la revendication 1, dans lequel ledit agent pharmaceutiquement actif comporte l'éliprodil. 40
13. Dispositif d'administration de médicament selon la revendication 1, comportant de plus un élément de retenue (62) s'étendant depuis ledit corps (21, 29, 39) à proximité de ladite ouverture (64). 45
14. Dispositif d'administration de médicament selon la revendication 1, dans lequel ladite encoche (42) ou une région (43) comporte une rampe (45). 50

55

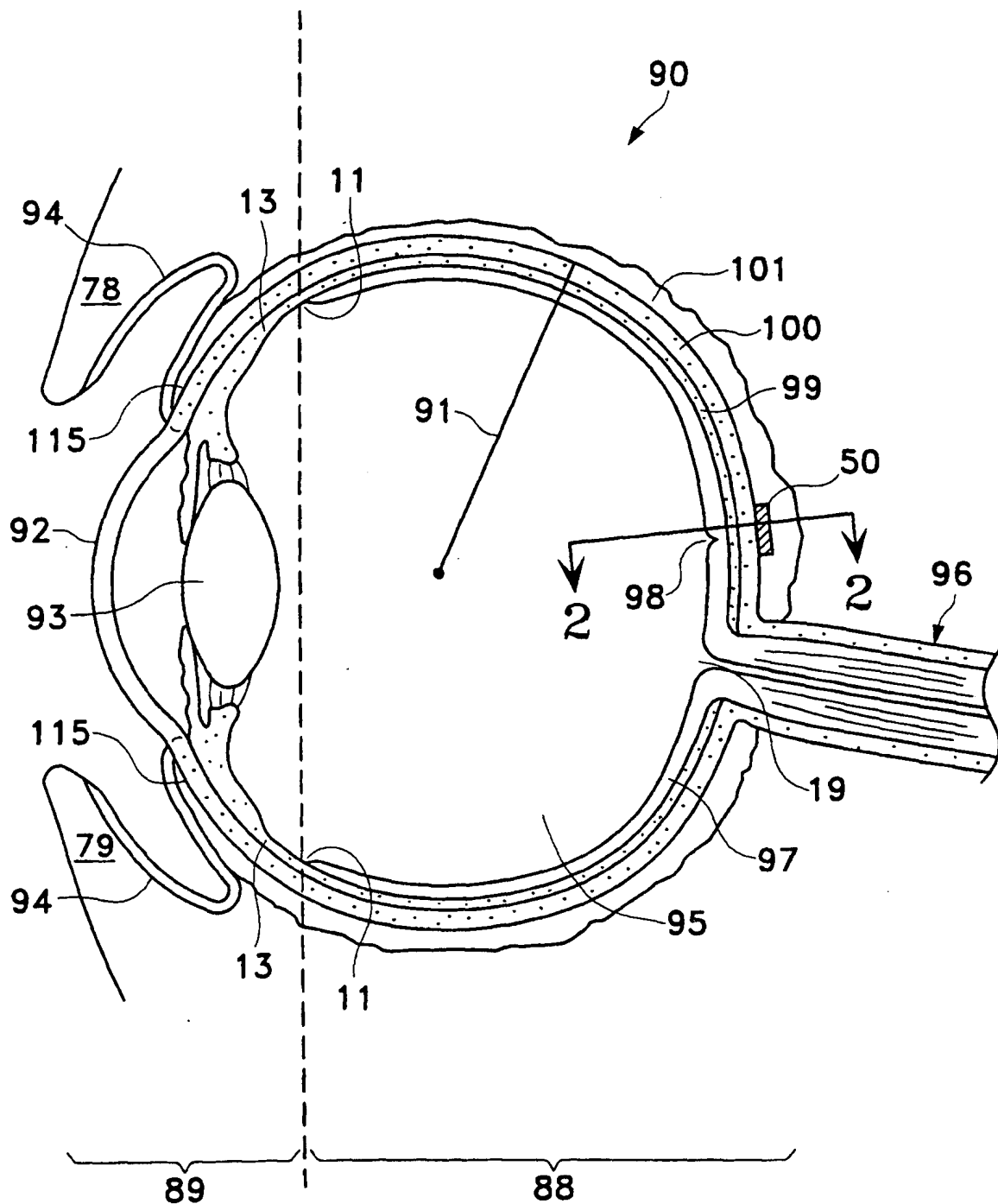


FIG. 1

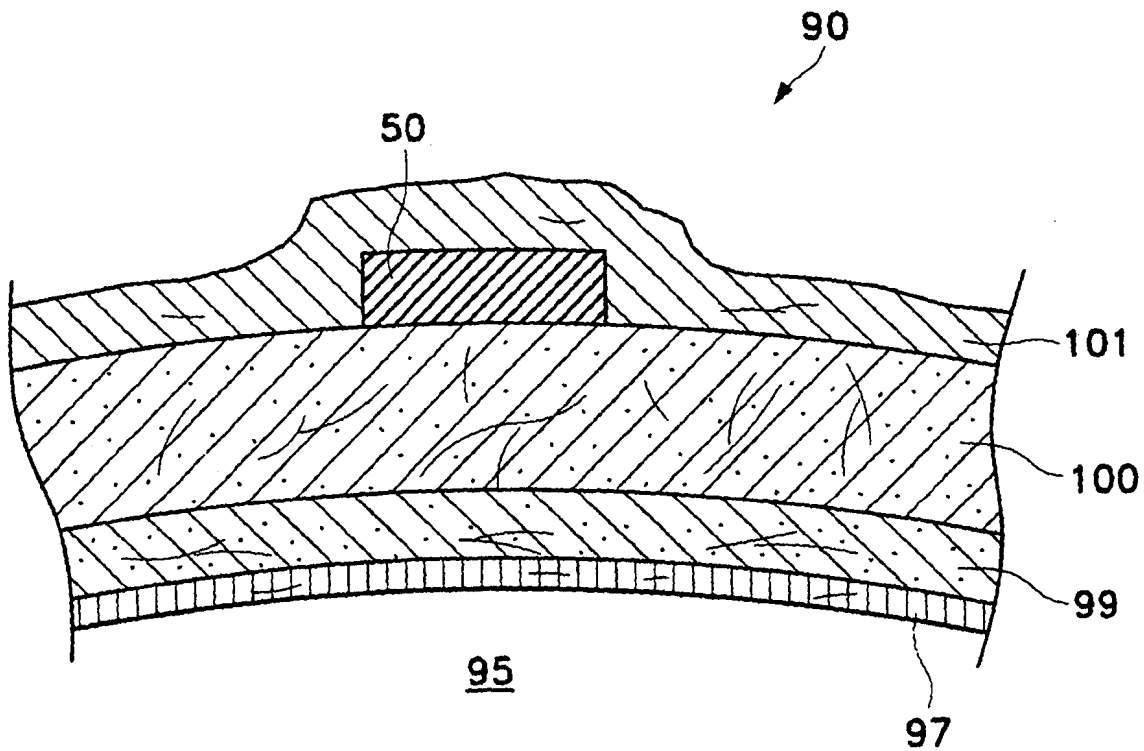


FIG. 2

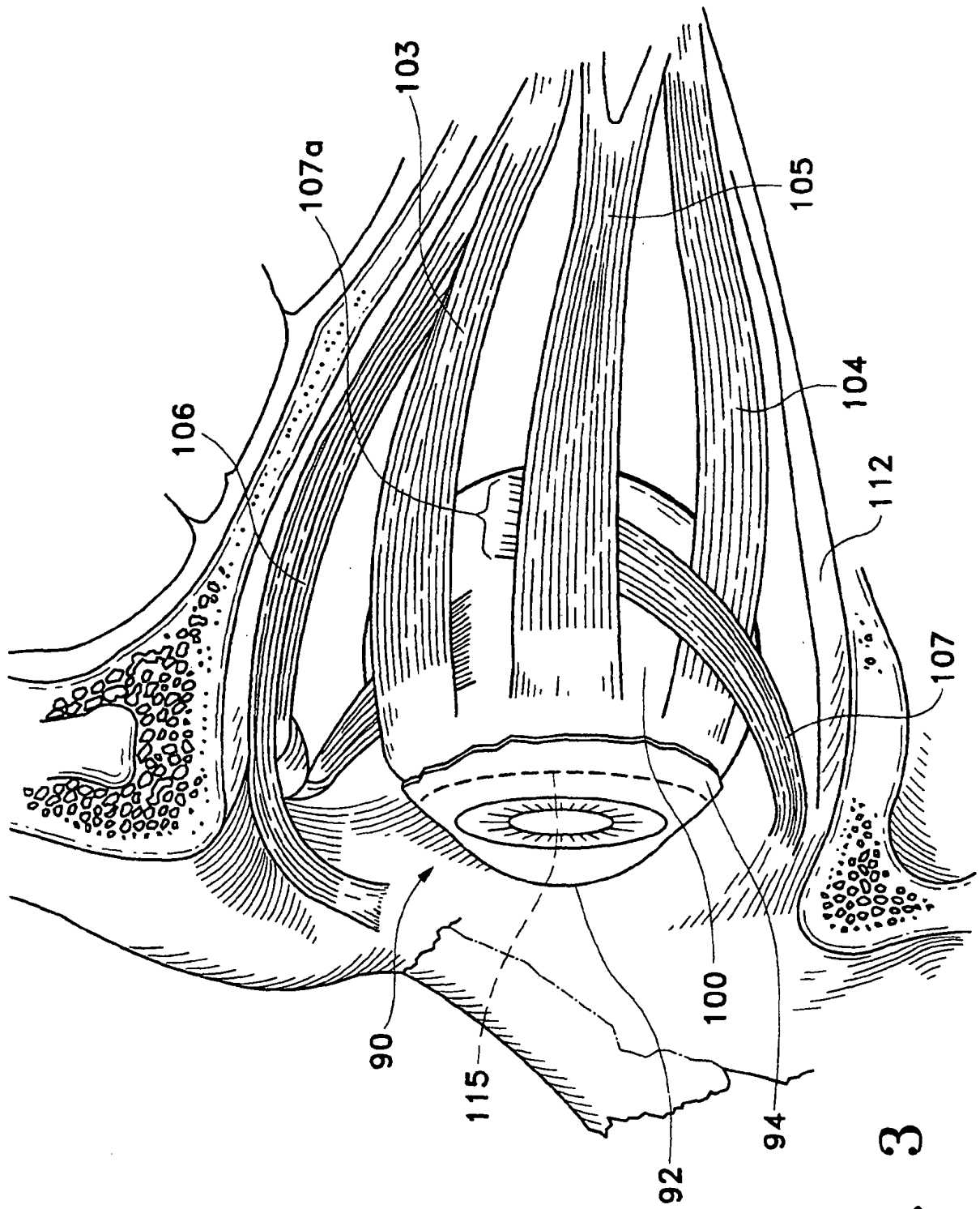


FIG. 3

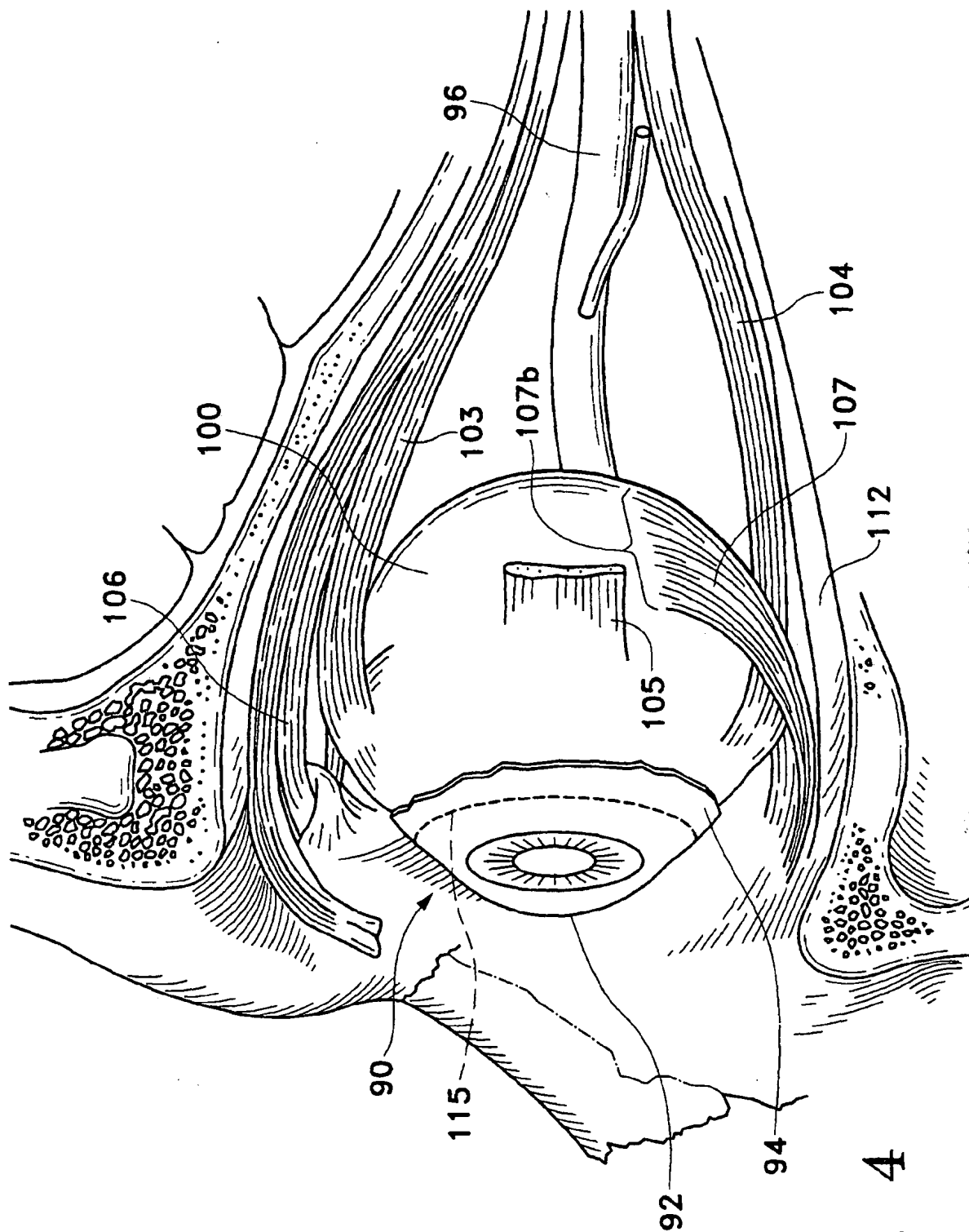


FIG. 4

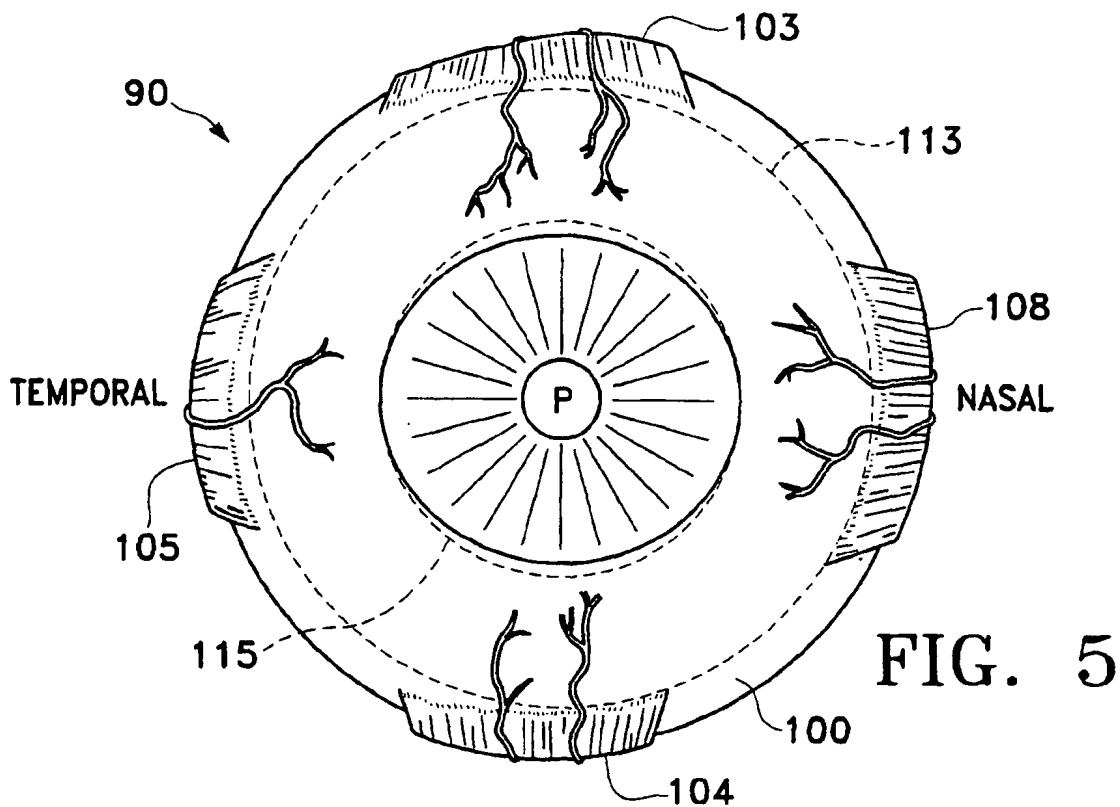


FIG. 5

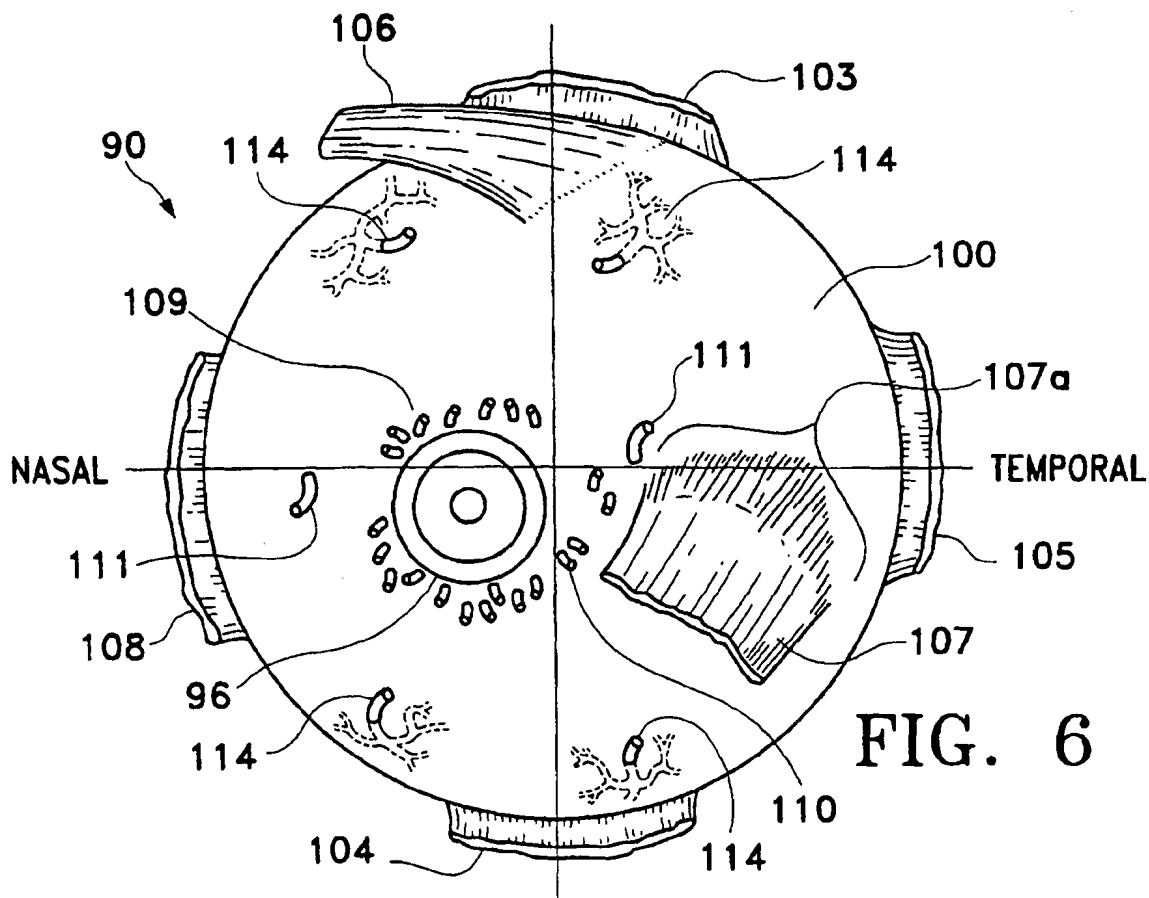


FIG. 6



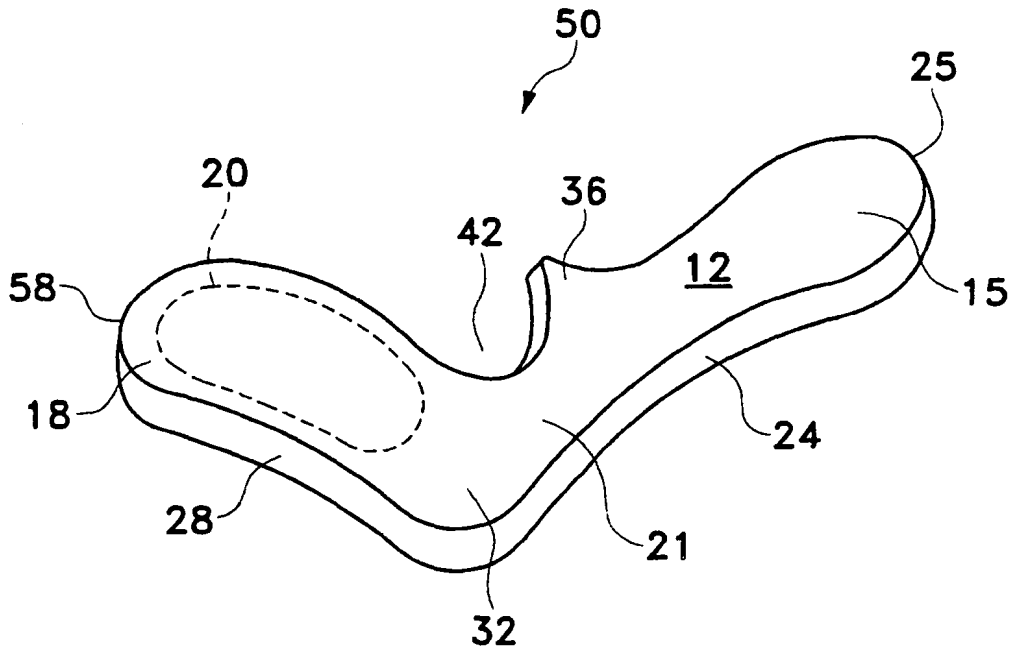


FIG. 7

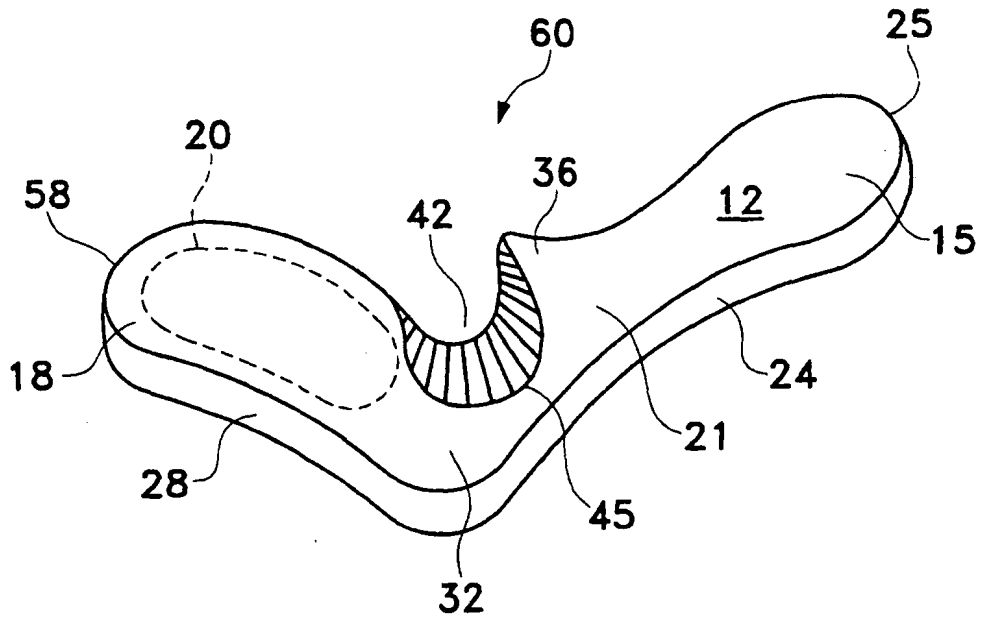


FIG. 8

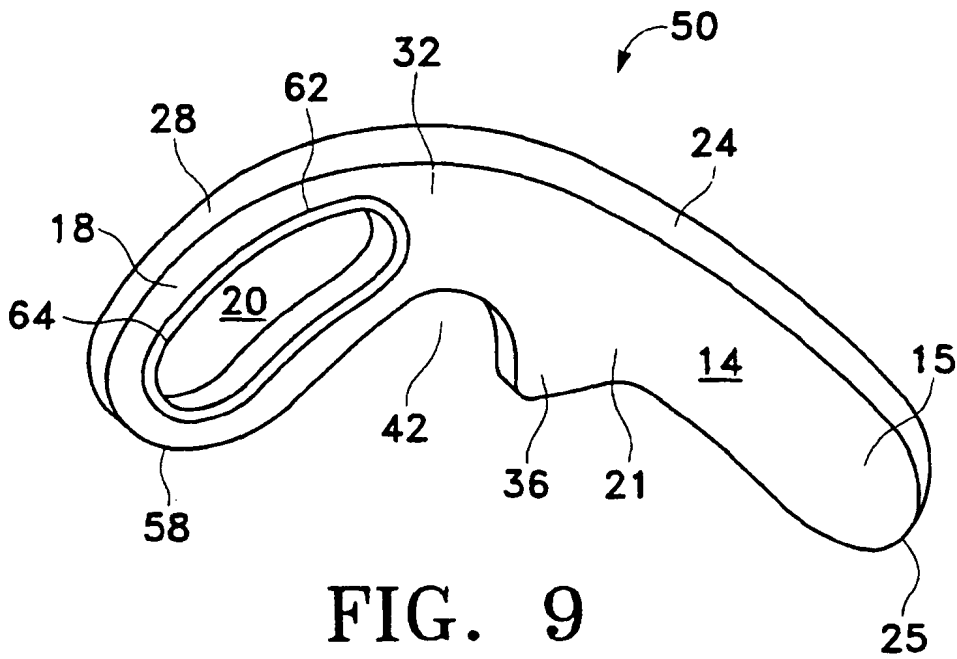


FIG. 9

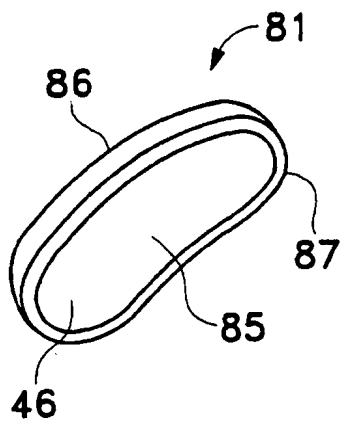
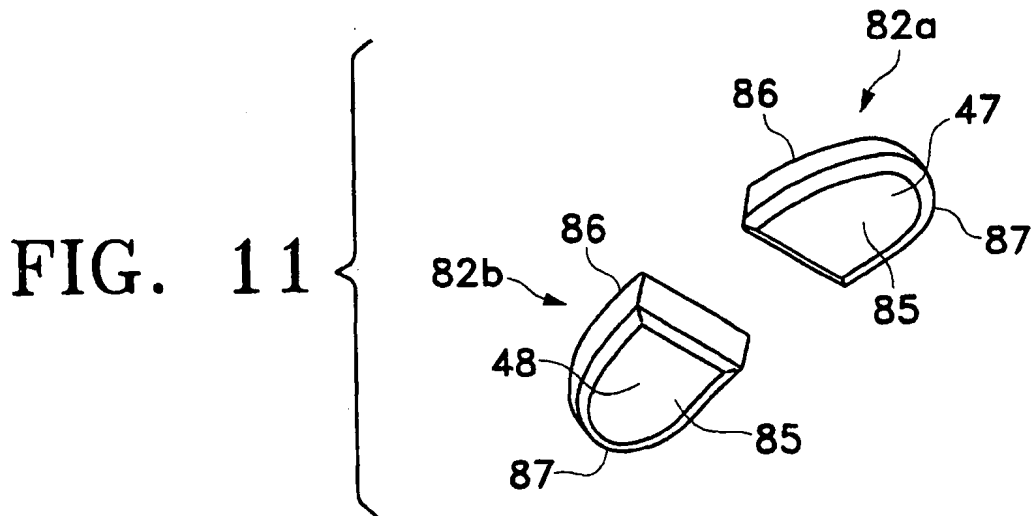


FIG. 10



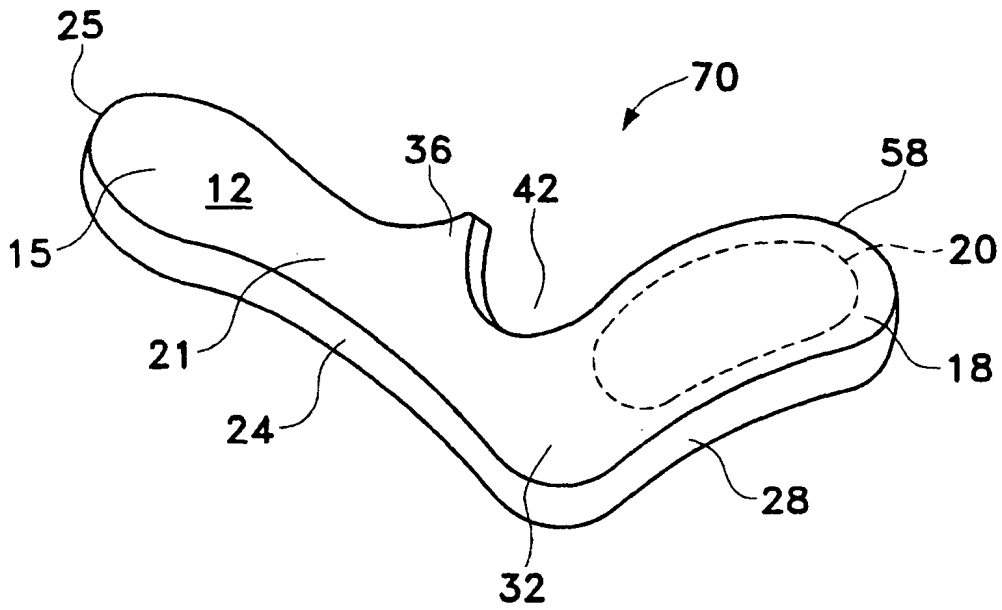


FIG. 12

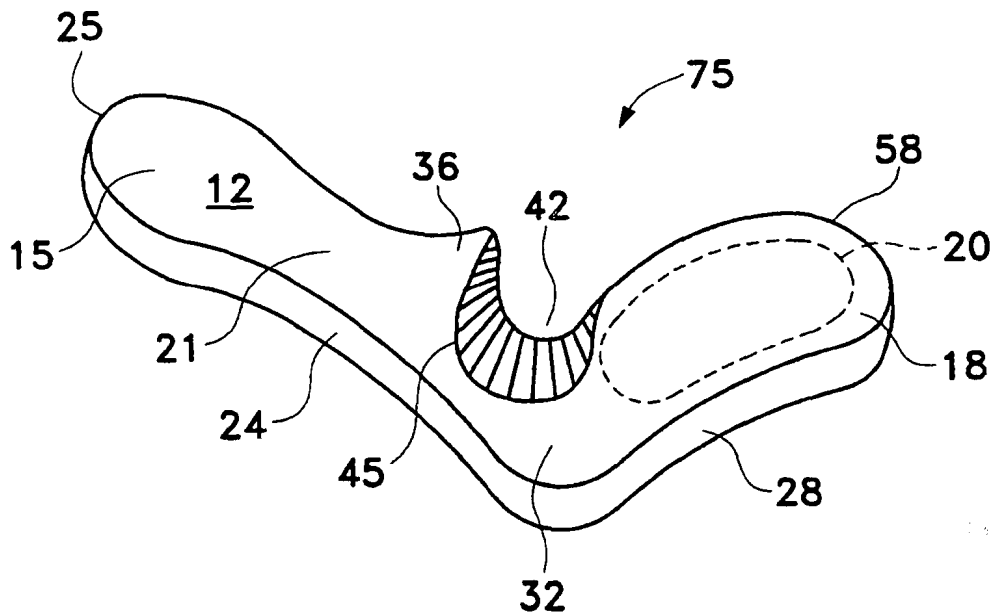
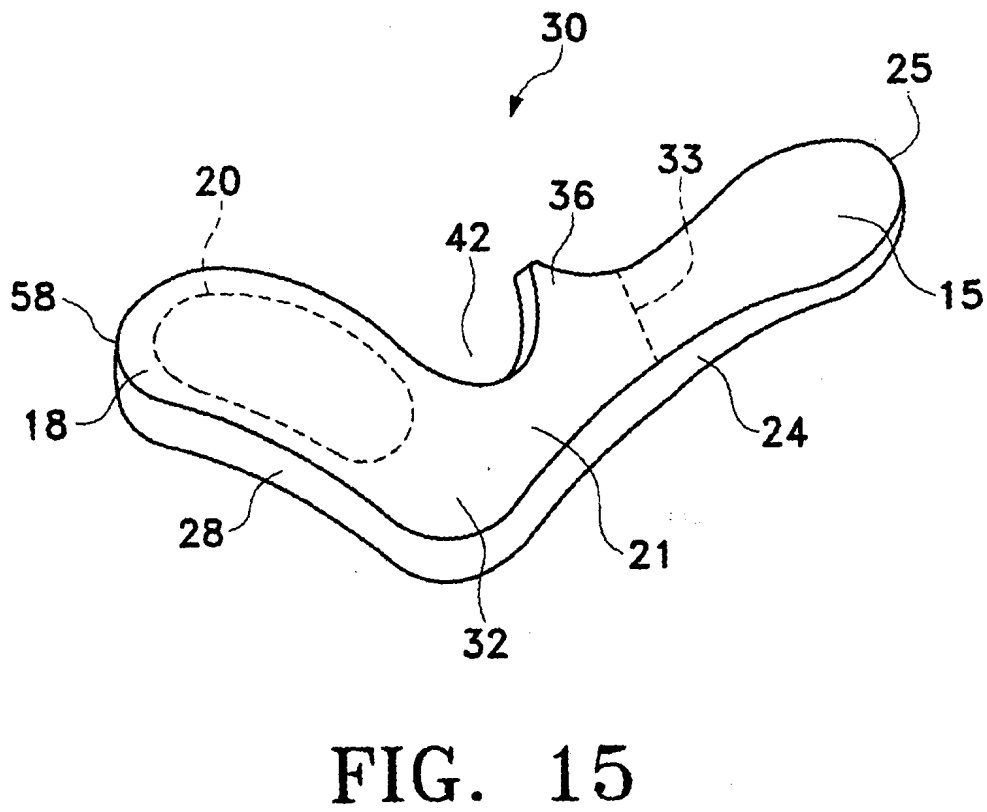
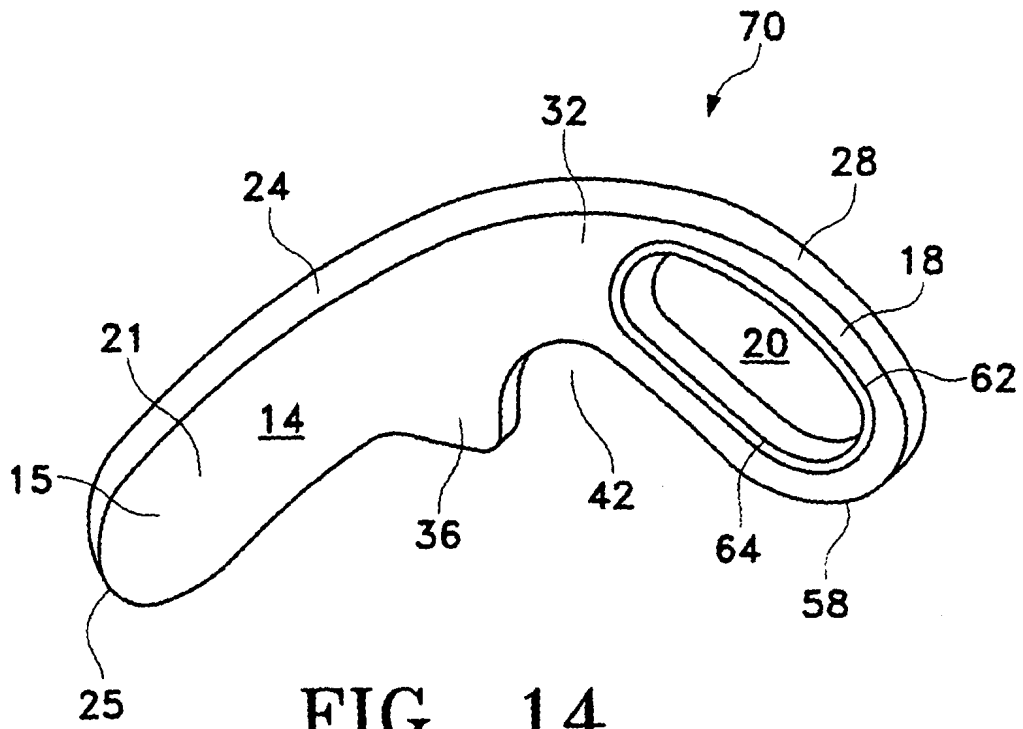


FIG. 13



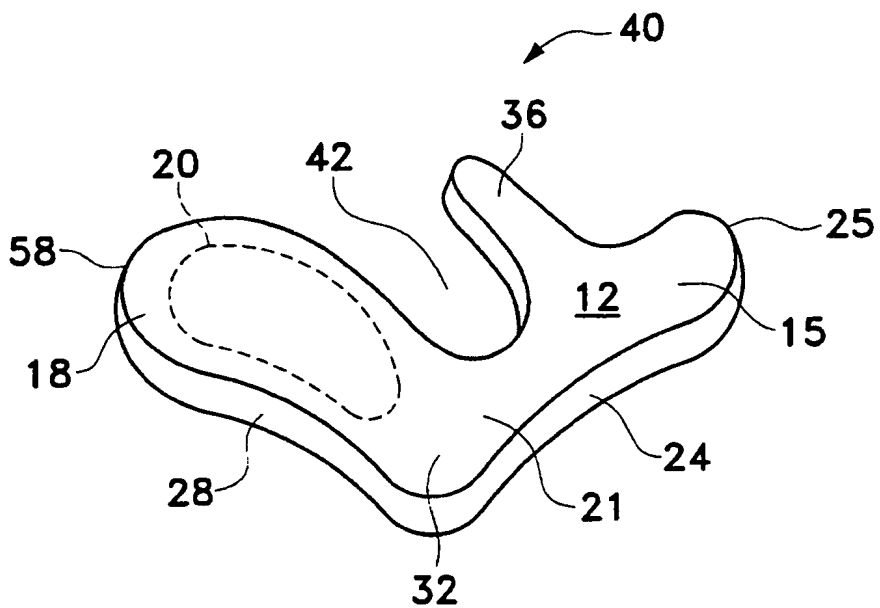


FIG. 16

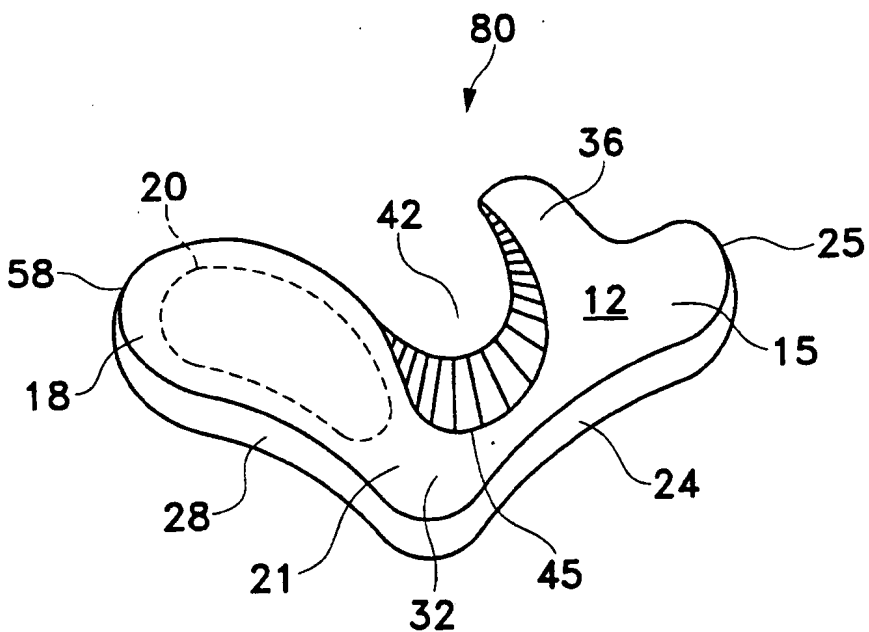


FIG. 17

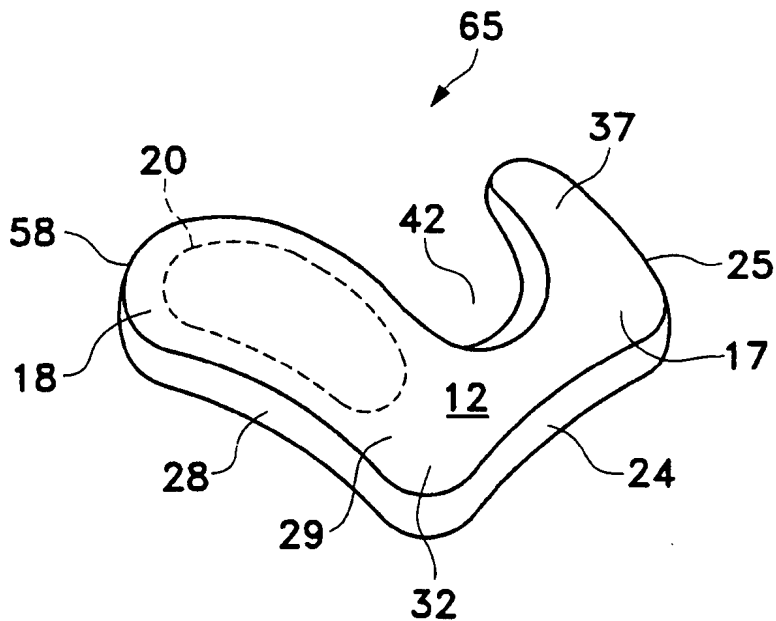


FIG. 18

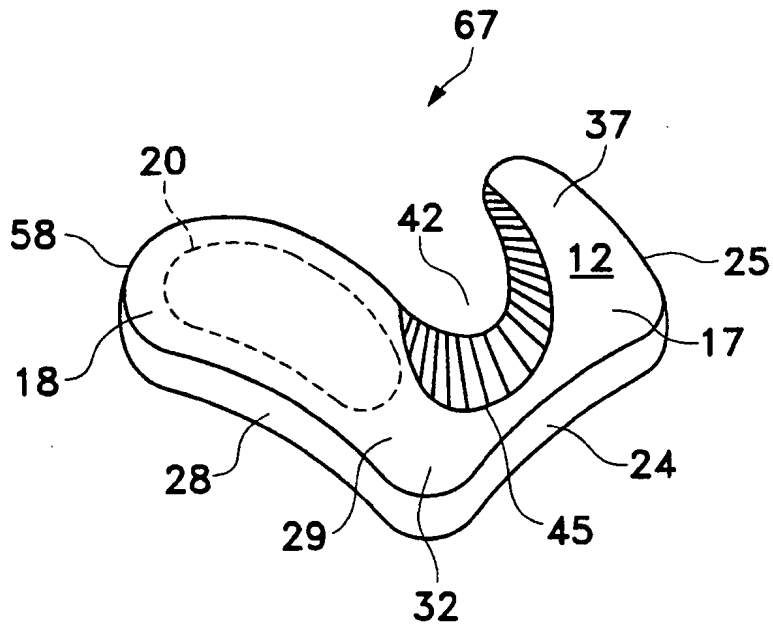


FIG. 19

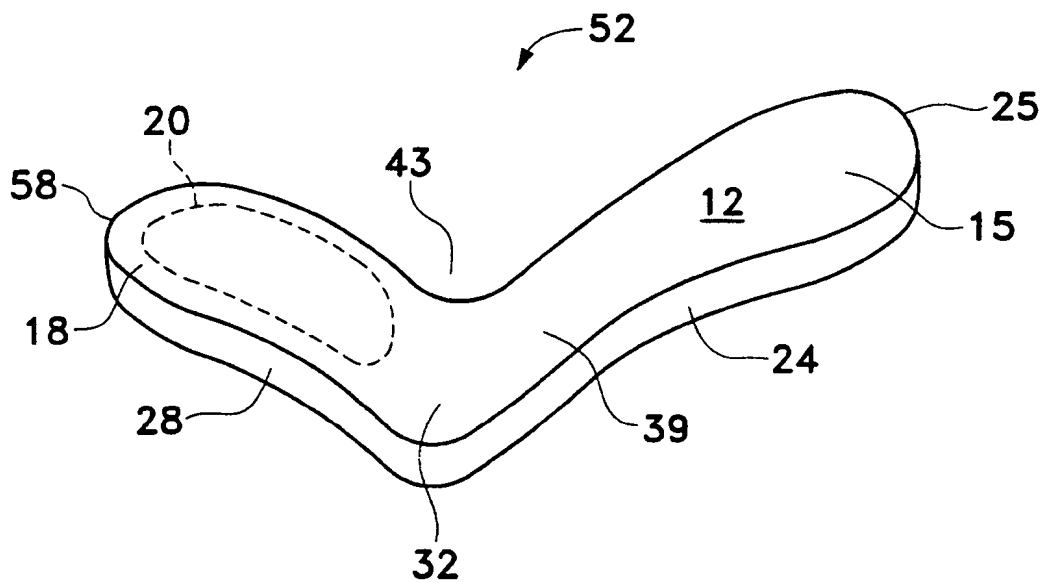


FIG. 20

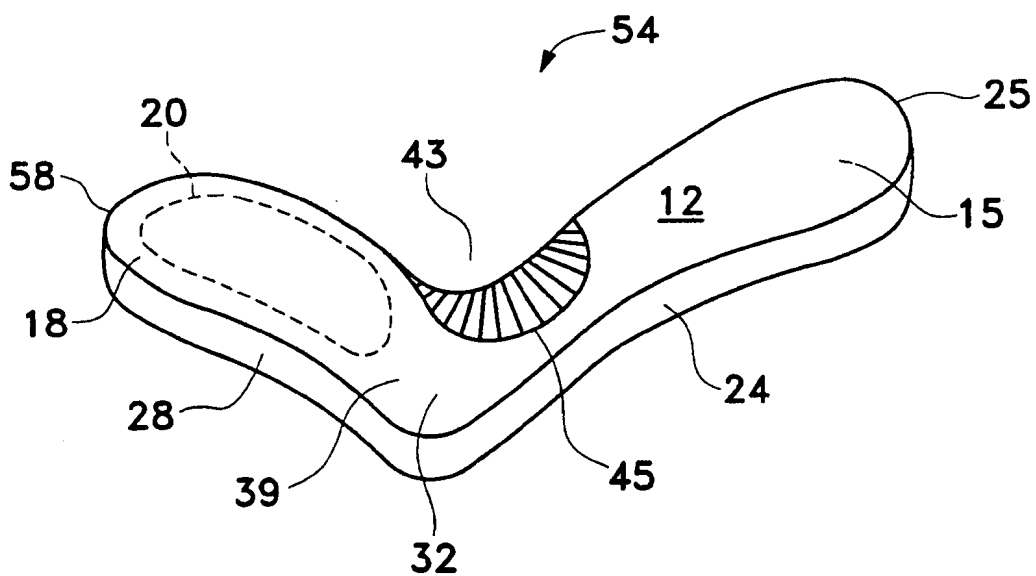


FIG. 21