

(19) World Intellectual Property Organization
International Bureau



(43) International Publication Date
24 January 2002 (24.01.2002)

PCT

(10) International Publication Number
WO 02/06976 A2

- (51) International Patent Classification⁷: **G06F 17/00**
- (21) International Application Number: PCT/EP01/07897
- (22) International Filing Date: 9 July 2001 (09.07.2001)
- (25) Filing Language: English
- (26) Publication Language: English
- (30) Priority Data:
00202546.8 18 July 2000 (18.07.2000) EP
- (71) Applicant: **KONINKLIJKE PHILIPS ELECTRONICS N.V.** [NL/NL]; Groenewoudseweg 1, NL-5621 BA Eindhoven (NL).
- (72) Inventor: **KARSTEN, Richard, P., H.**; Prof. Holstlaan 6, NL-5656 AA Eindhoven (NL).
- (74) Agent: **SCHRIJNEMAEKERS, Hubert, J., M.**; Internationaal Octrooibureau B.V., Prof Holstlaan 6, NL-5656 AA Eindhoven (NL).
- (81) Designated States (*national*): AE, AG, AL, AM, AT, AU, AZ, BA, BB, BG, BR, BY, BZ, CA, CH, CN, CR, CU, CZ, DE, DK, DM, DZ, EE, ES, FI, GB, GD, GE, GH, GM, HR, HU, ID, IL, IN, IS, JP, KE, KG, KP, KR, KZ, LC, LK, LR, LS, LT, LU, LV, MA, MD, MG, MK, MN, MW, MX, MZ, NO, NZ, PL, PT, RO, RU, SD, SE, SG, SI, SK, SL, TJ, TM, TR, TT, TZ, UA, UG, UZ, VN, YU, ZA, ZW.
- (84) Designated States (*regional*): ARIPO patent (GH, GM, KE, LS, MW, MZ, SD, SL, SZ, TZ, UG, ZW), Eurasian patent (AM, AZ, BY, KG, KZ, MD, RU, TJ, TM), European patent (AT, BE, CH, CY, DE, DK, ES, FI, FR, GB, GR, IE, IT, LU, MC, NL, PT, SE, TR), OAPI patent (BF, BJ, CF, CG, CI, CM, GA, GN, GW, ML, MR, NE, SN, TD, TG).

Published:

— without international search report and to be republished upon receipt of that report

For two-letter codes and other abbreviations, refer to the "Guidance Notes on Codes and Abbreviations" appearing at the beginning of each regular issue of the PCT Gazette.



WO 02/06976 A2

(54) Title: ELECTRONICALLY ACCESSIBLE

(57) Abstract: A method and a system is described to make electronically available user specific information to users, customers etc. Using the system described above and the method underlying this system it is possible to make the user specific information accessible for all users and/or the public and in this way create as company one face to the external user and also to the internal user.

Electronically accessible

The invention relates to a method to make electronically accessible user specific information.

The invention further relates to a system for electronically making accessible user specific information.

5

A method and a system to make electronically accessible user specific information are known in the art.

10 One of the disadvantageous of known methods/systems is, that it is relative difficult for a user to get the information he wishes to receive without, for example, contacting a lot of different persons, calling or searching.

15 One of the objects of the invention is to provide a method and a system overcoming the disadvantageous of the prior art.

15

To this end a first aspect of the invention provides a method having the features of claim 1.

A second aspect of the invention provides a system comprising the features of claim 5.

20

Using the system described above and the method underlying this system it is possible to make the user specific information accessible for all users and/or the public and in this way create as company one face to the external user and also to the internal user.

25

Further by creating "one place" the user specific information is available on also internal in a company all information is much more easily accessible than prior art systems could do.

Further the amount of double publishing and double other actions are reduced till a minimum because all the "internal" users can see what information is already available.

Embodiments of the invention are described in the dependent claims.

The invention and additional features, which may optionally be used to implement the invention to advantage will be apparent from and elucidated with reference to the examples as described here below and hereinafter and shown in the figure. The figure shows:

Schematically an example of a system for electronically making accessible user specific information.

The figure shows a system for electronically making accessible user specific information.

The user specific information is in this example split in two parts a first part E, which is accessible for all users and a second part I, which is only accessible for predetermined users. The user specific information can, for example, be replaced on an Internet site. Such user specific information can be accessible via an external communication network ecn.

An external user ue can via a user interface i/o uio connect to the external communication network and via this external communication network access the external user specific information E.

The "internal" user ui can via an internal communication network icn either via an internal interface iio and via the external communication network ecn access the user specific information or via the internal communication network icn directly access the user specific information and in that way having access to all user specific information.

The supplier s also has access to the user specific information via the internal communication network icn and has also the possibility to add new user specific information or amend the user specific information.

Of course the supplier s and the internal user ui can be the same person or unit of the company making the user specific information available to the users/public.

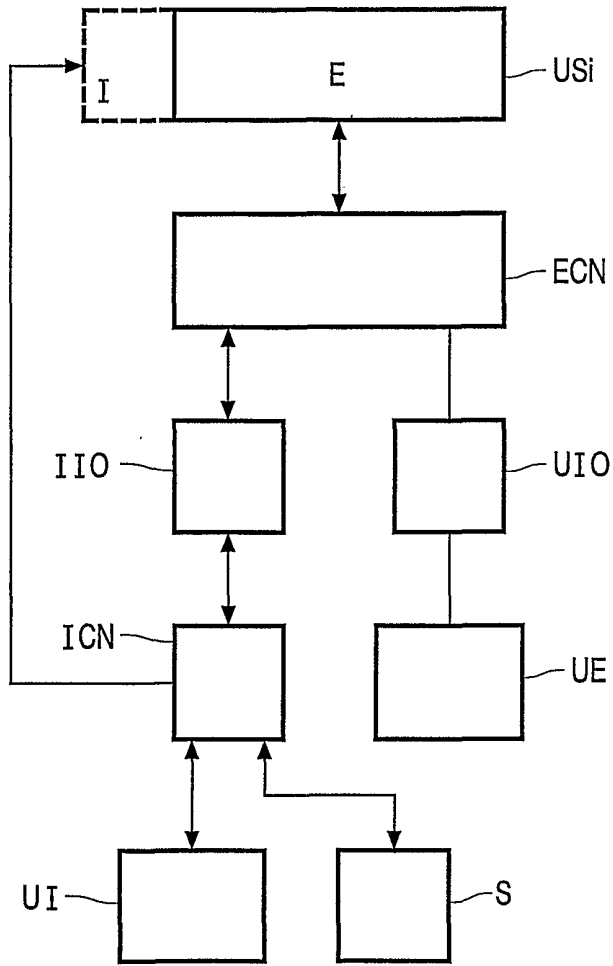
Using the system described above and the method underlying this system it is possible to make the user specific information accessible for all users and/or the public and in this way create as company one face to the external user and also to the internal user.

Further by creating "one place" the user specific information is available on also internal in a company all information is much more easily accessible than prior art systems could do.

5 When for example the user specific information is located on an Internet site it is also possible to make on this Internet site links to other Internet sites with for example more detailed information or privileged information only available to the "internal" user and also to give different users (internal or external) different possibilities to use the links to the different coupled Internet sites.

CLAIMS:

1. Method to make electronically user specific information available having the steps of creating the user specific information by a supplier whereby the supplier determines for which user which part of the user specific information will be accessible, updating the user specific information by the supplier, and making accessible the (part of the) user specific information to a user requesting user specific information.
5
2. Method as claimed in claim 1, whereby the user specific information is accessible on an Internet site.
- 10 3. Method as claimed in claim 1, whereby the user specific information is accessible via two or more Internet sites linked together.
4. Method as claimed in claim 1, whereby the supplier makes the user specific information fully accessible to a predetermined user of the same company as the supplier and makes the user specific information partly accessible to a user of another company.
15
5. System for electronically making accessible user specific information comprising means to create the user specific information and means the determined for which user which part of the user specific information will be accessible, means to update the user specific information, communication means for communicating with a user of the system, and accessing means to give an user access to the (part of the) user specific information.
20



SYS