



US00D647140S

(12) **United States Design Patent**  
**Ray**

(10) **Patent No.:** **US D647,140 S**

(45) **Date of Patent:** **\*\* Oct. 18, 2011**

(54) **PENCIL SHARPENER**

(76) Inventor: **Ivan M. Ray**, Newton, KS (US)

(\*\*) Term: **14 Years**

(21) Appl. No.: **29/356,656**

(22) Filed: **Mar. 1, 2010**

(51) **LOC (9) Cl.** ..... **19-06**

(52) **U.S. Cl.** ..... **D19/73**

(58) **Field of Classification Search** ..... D8/91,  
D8/98; D19/72-74, 99, 100; 30/451-462;  
144/28.1, 28.11, 28.2-28.7, 28.72, 28.8,  
144/28.9; D14/187, 204

See application file for complete search history.

(56) **References Cited**

**U.S. PATENT DOCUMENTS**

199,448	A	*	1/1878	Keyes	.....	30/458
786,395	A	*	4/1905	Zellers	.....	181/178
936,910	A	*	10/1909	Kingsley	.....	181/178
D46,404	S	*	9/1914	Lougee	.....	D14/187
1,158,871	A	*	11/1915	Tomlin	.....	138/166
D67,239	S	*	5/1925	Skinner	.....	D14/187
1,581,972	A	*	4/1926	Mason	.....	181/141
2,517,665	A	*	8/1950	Hochstein	.....	181/178
3,450,226	A	*	6/1969	Kessler	.....	181/180
D223,703	S	*	5/1972	Cheladze	.....	D7/523
D223,704	S	*	5/1972	Cheladze	.....	D7/509
4,125,218	A	*	11/1978	DeBoer	.....	229/400
D283,772	S	*	5/1986	Vail	.....	D7/536
4,613,012	A	*	9/1986	Mueller, III	.....	181/178
4,703,829	A	*	11/1987	Hardt	.....	181/178
5,094,317	A	*	3/1992	Ladendorf	.....	181/178
D338,464	S	*	8/1993	Darby	.....	D14/187
5,675,133	A	*	10/1997	Kobayashi	.....	181/189
D403,399	S	*	12/1998	Montgomery et al.	.....	D24/120
5,967,405	A	*	10/1999	Hanauska	.....	229/103

5,967,875	A	*	10/1999	Graef	.....	446/74
D447,915	S	*	9/2001	Lefroy-Brooks	.....	D7/507
D471,926	S	*	3/2003	Allen	.....	D16/135
D548,526	S	*	8/2007	Huffman et al.	.....	D7/523
D559,830	S	*	1/2008	Lintern	.....	D14/187
D587,402	S	*	2/2009	Priester et al.	.....	D28/41
D620,314	S	*	7/2010	Dorsey et al.	.....	D7/507
D623,961	S	*	9/2010	Maccario	.....	D9/737
2006/0266579	A1	*	11/2006	Stern et al.	.....	181/178

\* cited by examiner

*Primary Examiner* — Elizabeth Albert

(74) *Attorney, Agent, or Firm* — Kenneth H. Jack; Davis & Jack, LLC

(57) **CLAIM**

The ornamental design for a pencil sharpener, as shown and described.

**DESCRIPTION**

FIG. 1 is a perspective view of the pencil sharpener showing my new design.

FIG. 2 is another perspective view of the pencil sharpener of FIG. 1; and,

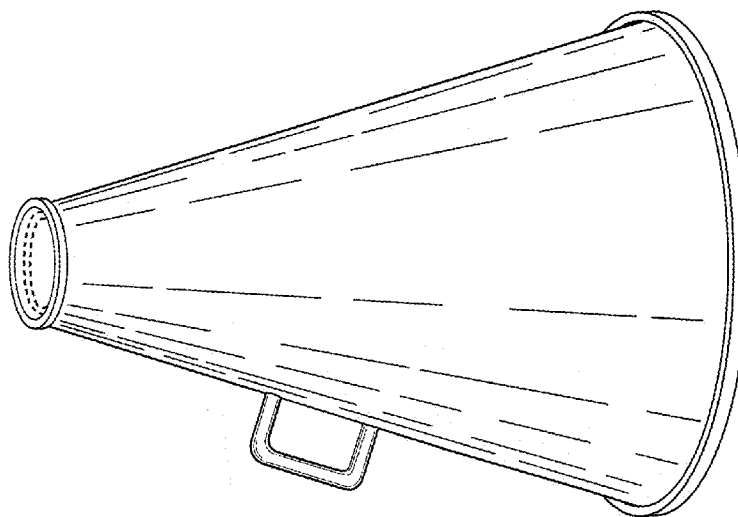
FIG. 3 is a left side, elevational view of the pencil sharpener of FIG. 1.

(The broken lines appearing in FIGS. 1, 2, and 3 showing a pencil and showing other features are included for the purpose of illustrating environmental matter and form no part of the claimed design.)

The intended use of the article in which the design is embodied is the sharpening of pencils.

A feature of the article in which the design is embodied is its depiction of or configuration as a stentor or megaphone.

**1 Claim, 3 Drawing Sheets**



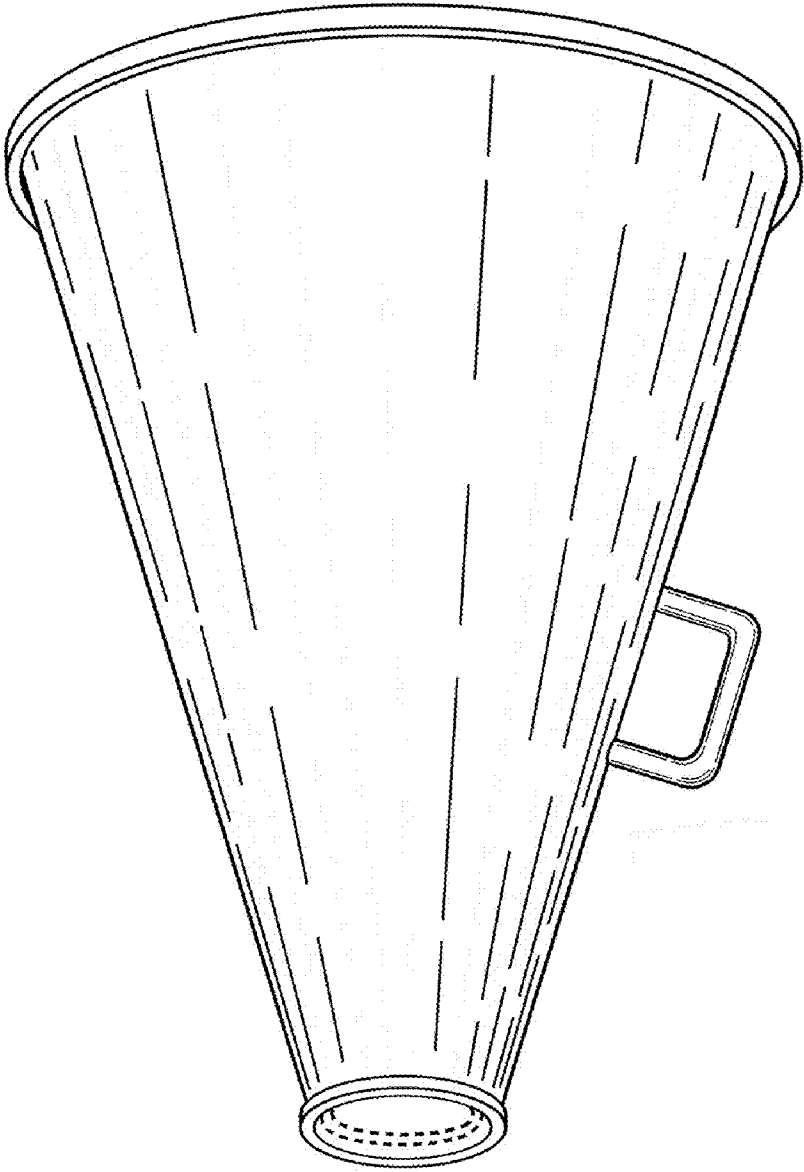


Figure 1

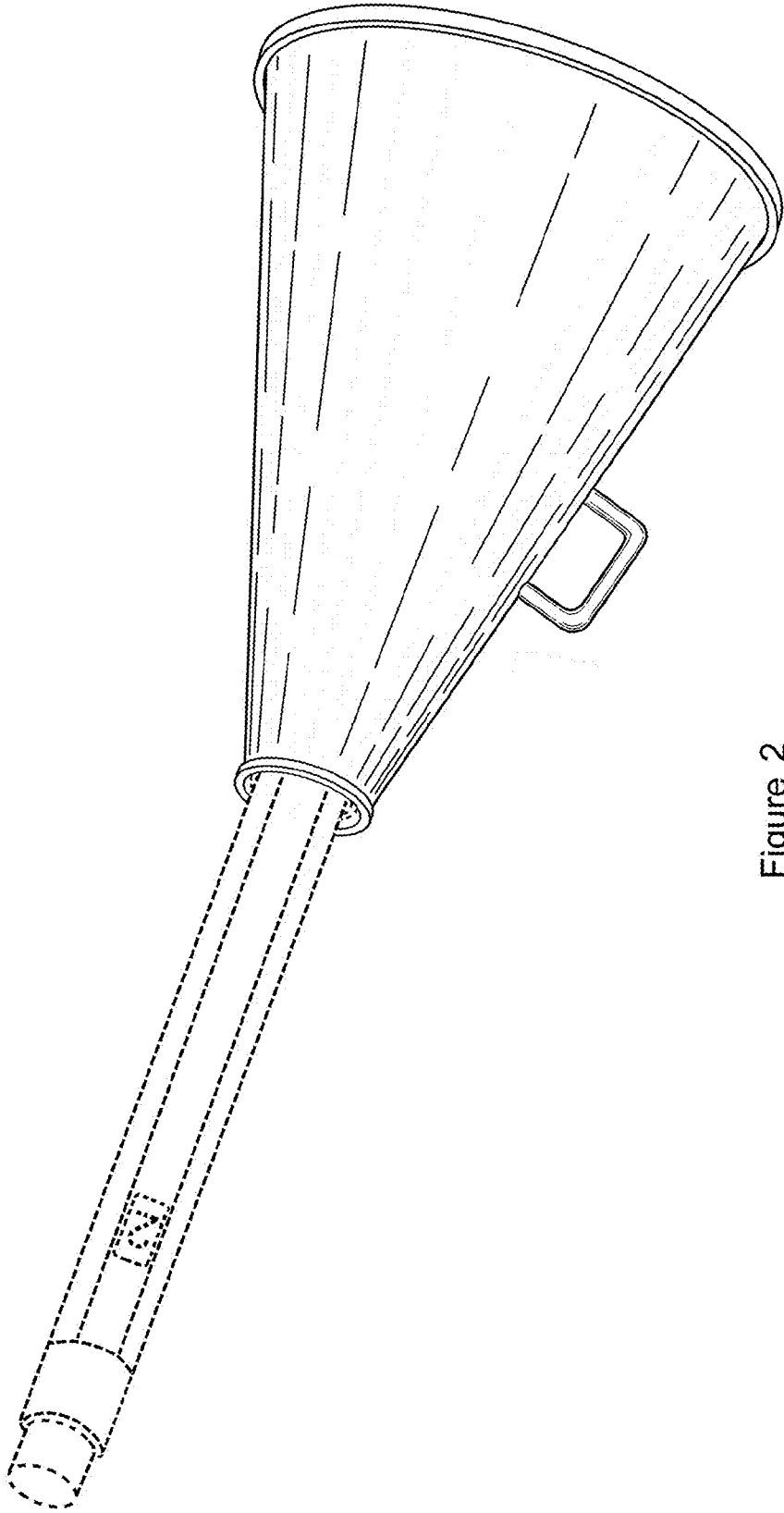


Figure 2

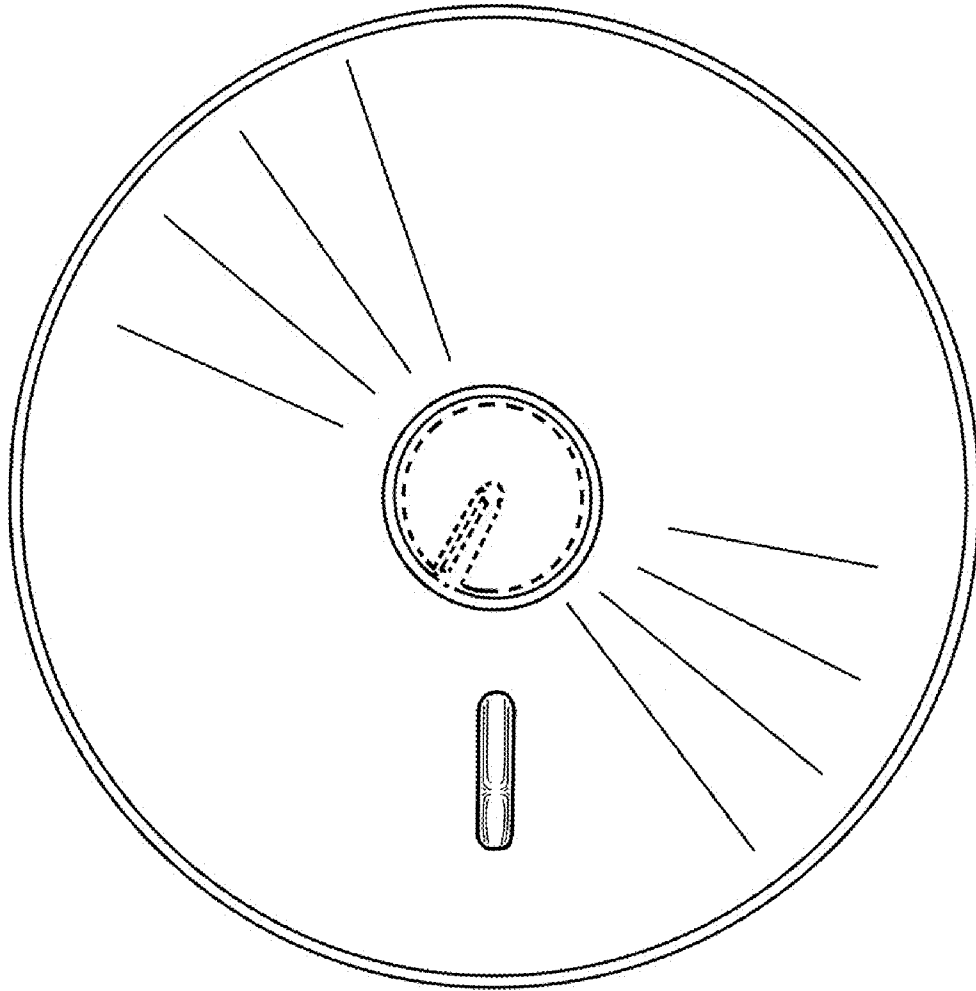


Figure 3