



US00D848784S

(12) **United States Design Patent**
Hazelton et al.

(10) **Patent No.:** US D848,784 S

(45) **Date of Patent:** ** May 21, 2019

(54) **UNIVERSAL CONTAINER LID**

(56) **References Cited**

(71) Applicants: **Lance Eric Hazelton**, Maplewood, NJ (US); **Pual Lacotta**, Tenafly, NJ (US)

U.S. PATENT DOCUMENTS

(72) Inventors: **Lance Eric Hazelton**, Maplewood, NJ (US); **Pual Lacotta**, Tenafly, NJ (US)

D336,596 S *	6/1993	Osgood	D7/542
D380,124 S *	6/1997	Kato	D7/540
D446,084 S *	8/2001	Schulein	D7/629
D537,300 S *	2/2007	Kim	D7/542
D543,077 S *	5/2007	Kim	D7/629
D577,549 S *	9/2008	Plante	D7/538
D578,354 S *	10/2008	Chiang	D7/589
D634,583 S *	3/2011	Bernardaud	D7/538
D667,273 S *	9/2012	Henry	D7/542
D734,976 S *	7/2015	Quinn	D7/354
D759,425 S *	6/2016	Castriota	D7/354
D770,845 S *	11/2016	Quinn	D7/354
D820,027 S *	6/2018	Weermink	D7/354

(73) Assignee: **HELEN OF TROY LIMITED**, St. Michael (BB)

(**) Term: **15 Years**

* cited by examiner

(21) Appl. No.: **29/643,411**

(22) Filed: **Apr. 9, 2018**

Primary Examiner — Ricky Pham

(51) **LOC (11) Cl.** **07-02**

(52) **U.S. Cl.**
USPC **D7/391**

(57) **CLAIM**

The ornamental design for a universal container lid, as shown, and described.

(58) **Field of Classification Search**

USPC D7/354, 360, 391, 392, 392.1, 393, 397, D7/510, 542, 589, 605, 608, 629; D9/414, 424-432, 435, 446, 447, 449, D9/451-453

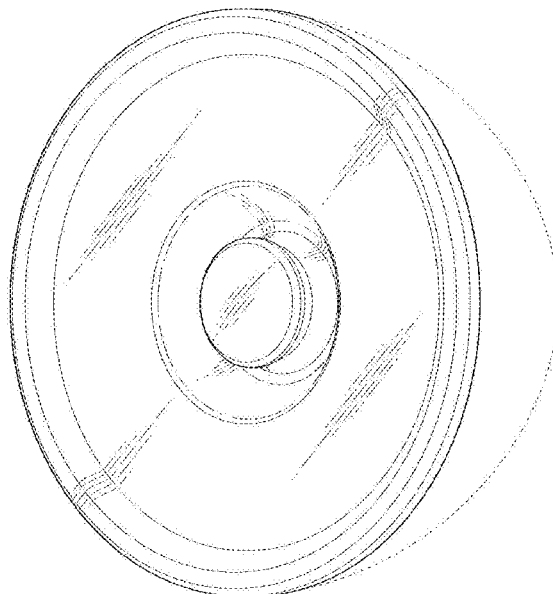
CPC A47J 36/027; A47J 36/06; A47J 37/10; A47J 37/101; B65D 21/0209; B65D 43/00; B65D 43/02; B65D 43/022; B65D 43/161; B65D 43/162; B65D 45/00; B65D 45/16; B65D 45/18; B65D 51/16; B65D 51/1683; B65D 51/1688; B65D 51/1694; B65F 1/1615

DESCRIPTION

FIG. 1 is a perspective view of a universal container lid; FIG. 2 is a top view thereof; FIG. 3 is a bottom thereof; FIG. 4 is a side elevation view thereof, all other sides being identical to FIG. 4; and, FIG. 5 is a perspective view in a use environment. The broken lines in FIG. 5 represent unclaimed environment only and form no part of the claimed design.

See application file for complete search history.

1 Claim, 5 Drawing Sheets



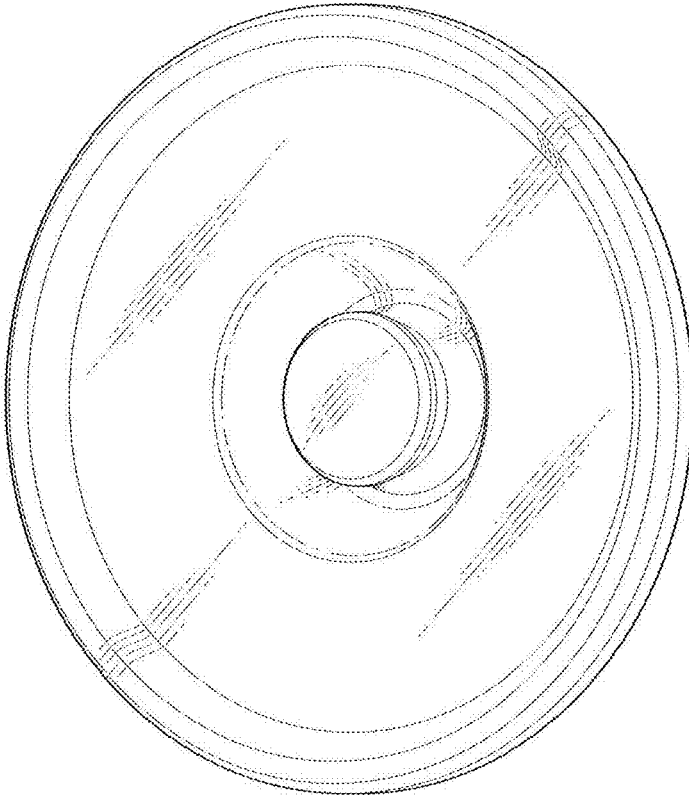


FIG. 1

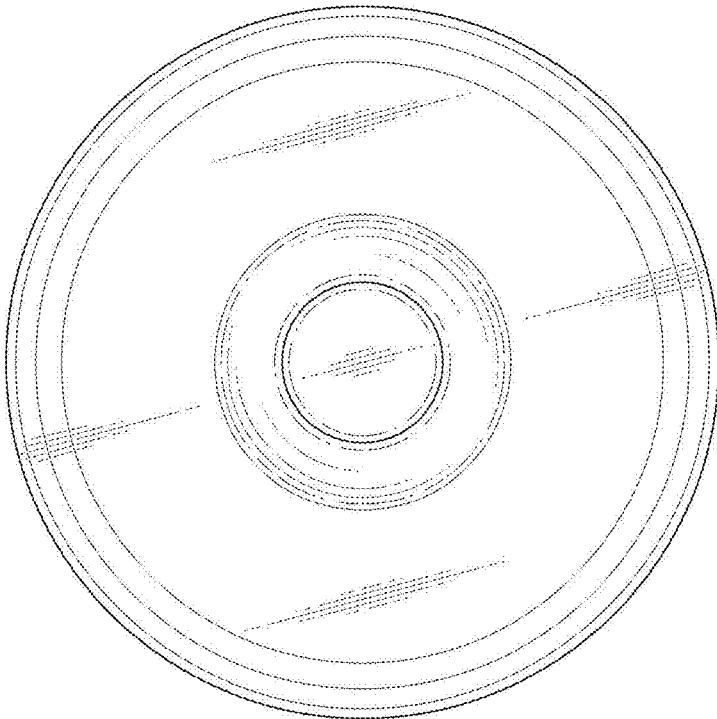


FIG. 2

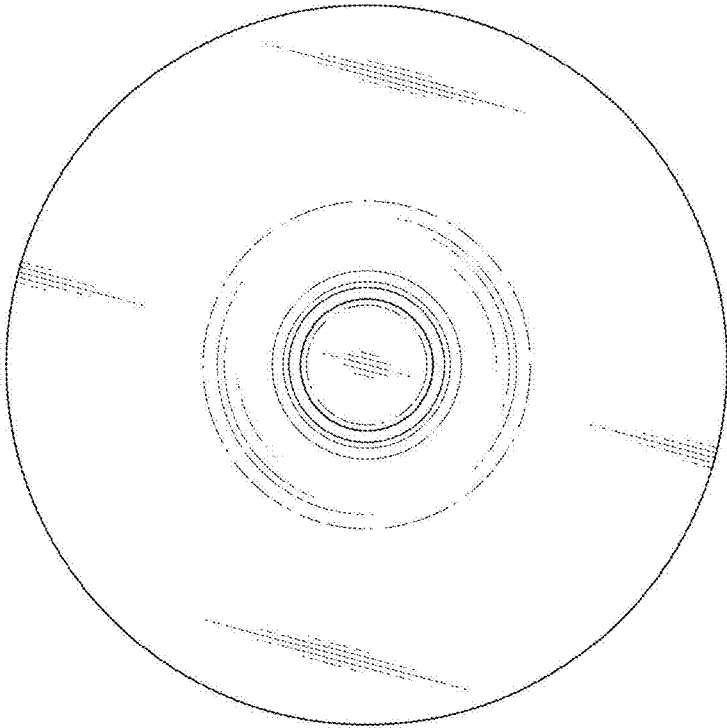


FIG. 3



FIG. 4

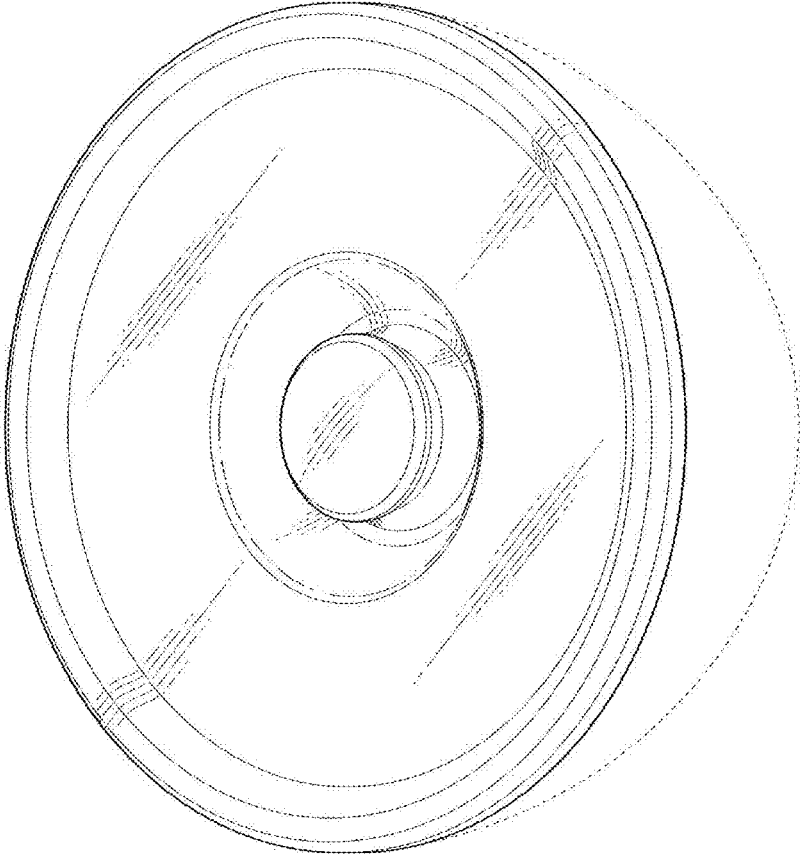


FIG. 5