



US00D488038S

(12) **United States Design Patent**  
**Sach**

(10) **Patent No.:** **US D488,038 S**

(45) **Date of Patent:** **\*\* Apr. 6, 2004**

(54) **BOTTLE OPENER**

(75) Inventor: **Martin Sach, Essen (DE)**

(73) Assignee: **Warbeg Warenbeschaffungs-GmbH,**  
**Essen (DE)**

(\*\*) Term: **14 Years**

(21) Appl. No.: **29/158,573**

(22) Filed: **Apr. 8, 2002**

(30) **Foreign Application Priority Data**

Dec. 24, 2001 (DE) ..... 4 01 11 243

(51) **LOC (7) Cl.** ..... **07-99**

(52) **U.S. Cl.** ..... **D8/40**

(58) **Field of Search** ..... D8/33-43, 308,  
D8/4, 5, 107, 52, 48; 30/400-443; 81/3.07-3.49;  
7/151-156; D7/665, 666; D23/250, 252;  
D12/179, 180; 74/523, 480 R, 489, 502.2

(56) **References Cited**

**U.S. PATENT DOCUMENTS**

206,134 A	*	7/1878	Richardson et al.	.....	81/3.09
593,698 A	*	11/1897	Stoll	.....	81/3.37
593,699 A	*	11/1897	Stoll	.....	81/3.37
593,700 A	*	11/1897	Stoll	.....	81/3.37
814,641 A	*	3/1906	Coomber	.....	81/3.33
4,703,673 A	*	11/1987	Allen	.....	81/3.29
D293,414 S	*	12/1987	Allen	.....	D8/43
4,765,206 A	*	8/1988	Poehlmann	.....	81/3.37
4,947,711 A	*	8/1990	Giebler	.....	81/3.37
5,365,806 A	*	11/1994	Paramest	.....	81/3.09
5,934,160 A	*	8/1999	Gibson	.....	81/3.37
6,073,519 A	*	6/2000	Presa Eguren	.....	81/3.33

D444,360 S	*	7/2001	Chang	.....	D8/42
D445,008 S	*	7/2001	Andina et al.	.....	D8/42
6,357,322 B1	*	3/2002	Dolan et al.	.....	81/3.37
D463,235 S	*	9/2002	Mauffette	.....	D8/40
D463,236 S	*	9/2002	Mauffette	.....	D8/42
D464,546 S	*	10/2002	Mauffette	.....	D8/40

\* cited by examiner

*Primary Examiner*—Jeffrey Asch

(74) *Attorney, Agent, or Firm*—Nixon Peabody LLP; David S. Safran

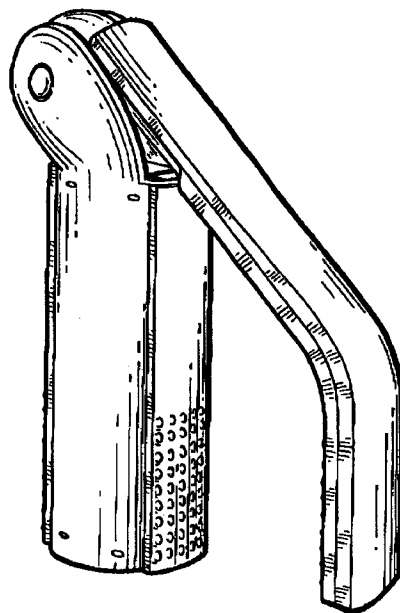
(57) **CLAIM**

The ornamental design for a bottle opener, as shown and described.

**DESCRIPTION**

FIG. 1 is side view of the bottle opener of the claimed design in a handle lowered position;  
 FIG. 2 is side view of the opposite side of the bottle opener of the claimed design from that shown in FIG. 1 in the handle lowered position;  
 FIG. 3. is a perspective view as seen looking toward the FIG. 2 side from the rear of the bottle opener in the handle lowered position;  
 FIG. 4 is a perspective view as seen looking toward the FIG. 2 side from the front of the bottle opener in a handle raised position;  
 FIG. 5 is a view similar to that of FIG. 3, but with the bottle opener in the handle raised position; and,  
 FIG. 6 is an enlarged fragmentary bottom perspective view of the bottle opener. The broken line circle defines the boundaries of the claim and indicates that the interior surfaces and details are not a part of the claimed design.

**1 Claim, 4 Drawing Sheets**



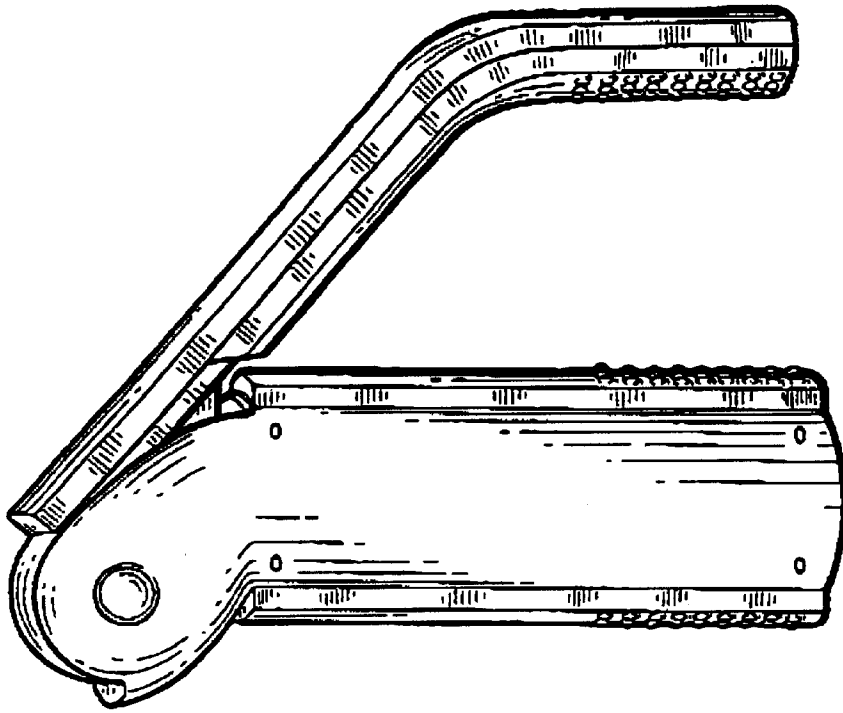


FIG. 2

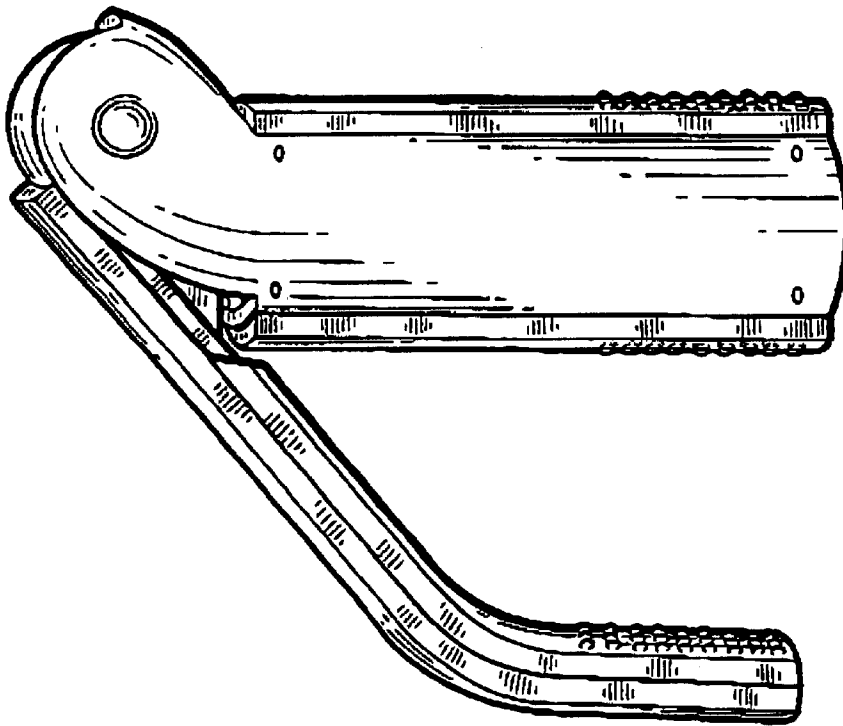


FIG. 1

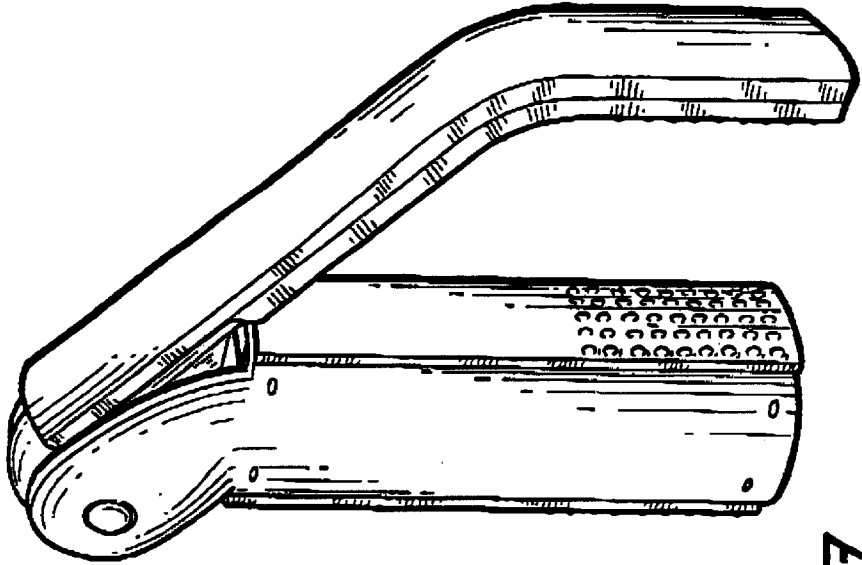


FIG. 3

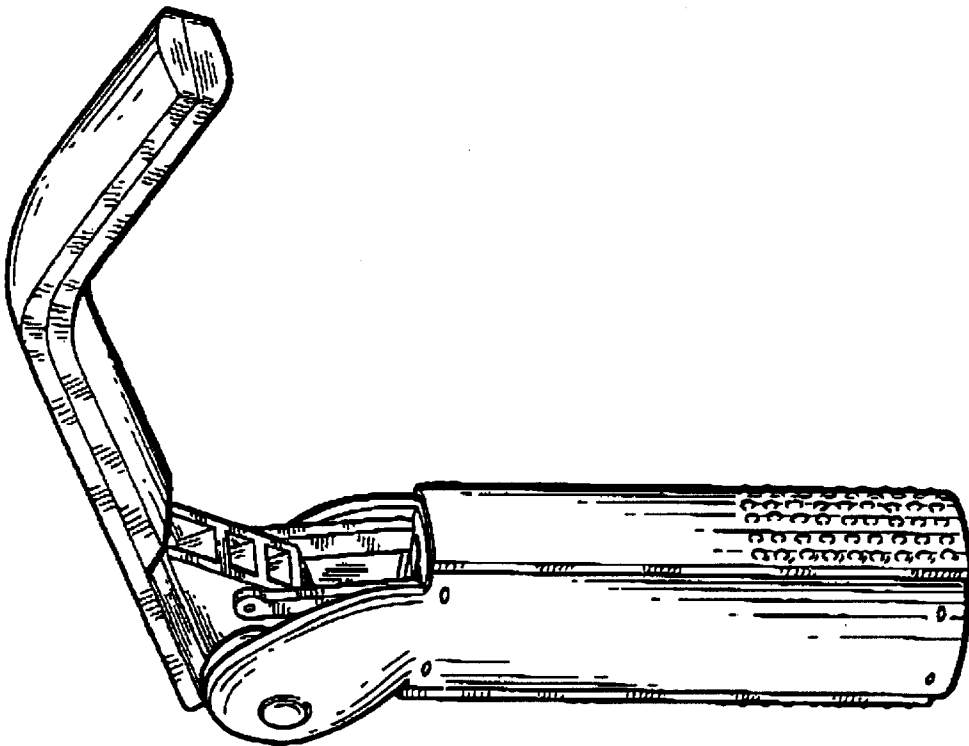


FIG. 5

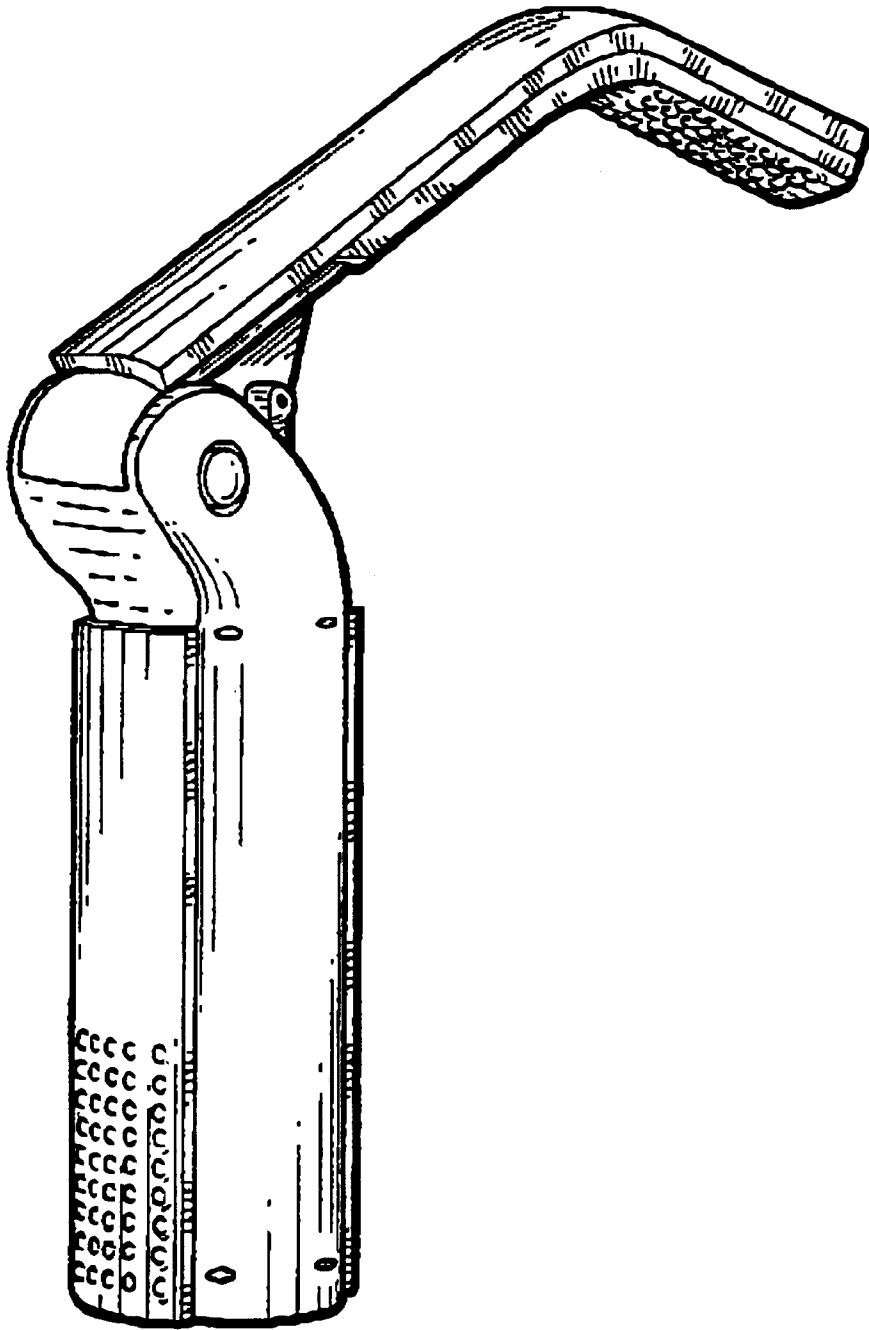


FIG. 4

