



(51) International Patent Classification:

A61M 5/32 (2006.01) A61M 5/31 (2006.01)
A61M 5/34 (2006.01) A61M 5/50 (2006.01)

(21) International Application Number:

PCT/EP2014/066436

(22) International Filing Date:

30 July 2014 (30.07.2014)

(25) Filing Language:

English

(26) Publication Language:

English

(30) Priority Data:

PCT/EP2013/066135 31 July 2013 (31.07.2013) EP
1321128.9 29 November 2013 (29.11.2013) GB

(71) Applicant: **CONCEPTOMED AS** [NO/NO]; Hattvikveien 2, Postboks 10, N-8373 Ballstad (NO).

(72) Inventors: **MIDE, Christian**; Kvalen 30, N-8373 Ballstad (NO). **ANDRESEN, Marius**; Ullernveien 99, N-0280 Oslo (NO). **BLOMVÅGNES, Rolf**; Raudnova 23, N-5337 Rong (NO). **GEERS, Kevin**; Bjerregaardsgate 49, N-0174 Oslo (NO).

(74) Agent: **DEHNS**; St Bride's House, 10 Salisbury Square, London, Greater London EC4Y 8JD (GB).

(81) Designated States (unless otherwise indicated, for every kind of national protection available): AE, AG, AL, AM, AO, AT, AU, AZ, BA, BB, BG, BH, BN, BR, BW, BY, BZ, CA, CH, CL, CN, CO, CR, CU, CZ, DE, DK, DM, DO, DZ, EC, EE, EG, ES, FI, GB, GD, GE, GH, GM, GT, HN, HR, HU, ID, IL, IN, IR, IS, JP, KE, KG, KN, KP, KR, KZ, LA, LC, LK, LR, LS, LT, LU, LY, MA, MD, ME, MG, MK, MN, MW, MX, MY, MZ, NA, NG, NI, NO, NZ, OM, PA, PE, PG, PH, PL, PT, QA, RO, RS, RU, RW, SA, SC, SD, SE, SG, SK, SL, SM, ST, SV, SY, TH, TJ, TM, TN, TR, TT, TZ, UA, UG, US, UZ, VC, VN, ZA, ZM, ZW.

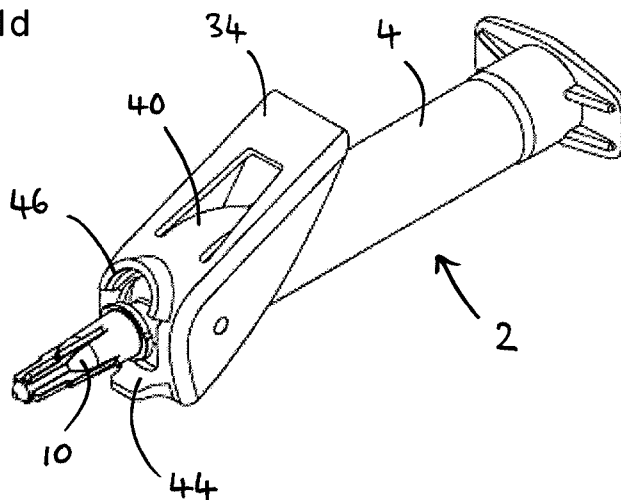
(84) Designated States (unless otherwise indicated, for every kind of regional protection available): ARIPO (BW, GH, GM, KE, LR, LS, MW, MZ, NA, RW, SD, SL, SZ, TZ, UG, ZM, ZW), Eurasian (AM, AZ, BY, KG, KZ, RU, TJ, TM), European (AL, AT, BE, BG, CH, CY, CZ, DE, DK, EE, ES, FI, FR, GB, GR, HR, HU, IE, IS, IT, LT, LU, LV, MC, MK, MT, NL, NO, PL, PT, RO, RS, SE, SI, SK, SM, TR), OAPI (BF, BJ, CF, CG, CI, CM, GA, GN, GQ, GW, KM, ML, MR, NE, SN, TD, TG).

Published:

— with international search report (Art. 21(3))

(54) Title: FLUID TRANSFER CONNECTIONS

Figure 1d



(57) Abstract: A fluid transfer device or connection (2) comprises a fluid transfer tip that has a tapered friction fitting for a corresponding hub (10). A lever member (34) is pivotally mounted to move relative to the fluid transfer tip. A latch (46) such as a screw thread is mounted on the lever member (34) to engage the hub (10) and provide a positive connection e.g. screw fit in addition to the friction fitting. The lever member (34) may optionally be resiliently biased by a spring (44). The hub (10) is disconnected from the tip by pivoting the lever member (34) to release the positive connection with the hub (10) and to subsequently release the hub (10) from the friction fitting.



Fluid transfer connections

5 The present invention relates to the detachment of fluid-transferring devices and connections from a corresponding hub, and especially when transferring fluid in a medical setting. The invention may find particular use in detaching a fluid transfer device such as a syringe, or other fluid transfer connection, from a hub that is connected to a living subject to/from whom fluid is being transferred.

10 In a medical setting it may be necessary or desirable to transfer fluid to/from a subject for a variety of reasons. For example, a hub connected to a needle or other cannula may be used to draw blood from a vein or to infuse fluid substances i.e. intravenous (IV) therapy. A drip is one type of IV therapy. IV therapy may be used to correct electrolyte imbalances, to deliver medications or nutrition, for blood transfusion or as fluid replacement to correct dehydration. IV therapy can also be used for chemotherapy of cancer patients. Fluid-transferring devices such
15 as syringes may also be attached to a hub that connects a cannula for the addition or removal of fluid to/from a variety of bodily cavities, organs or vessels. For instance, the hub may be part of an entity providing a catheter to drain urine from the bladder or kidney, to remove fluid from an abscess, to extract liquid from joints or cysts, or to administer breathing gases through a tracheal tube. A typical endotracheal tube includes a cuff inflation tube with a hub for
20 attachment of a syringe to enable inflation to seal the trachea and bronchial tree against air leakage and aspiration of fluids. A tracheostomy tube or urinary tract catheter might also use a cuff system with a hub for connection of a syringe or other device to inject fluid to inflate a cup or balloon that holds it in place. However fluid injections using a syringe connected to a needle are one of the most common health care procedures in the world.

25 When transferring fluids to/from a subject, the hub with its needle, catheter or other cannula inserted in the patient is often left in-situ while the fluid-transferring device may be removed and replaced, e.g. to empty/re-fill a syringe or to change over the IV therapy. Where two medical devices that carry small fluid volumes must be connected, a standard Luer fitting is the most common means of achieving a leak-free junction. One type of Luer fitting, commonly
30 called a "Luer lock/lok", uses an internally threaded collar surrounding a "Luer slip" friction fit (see below) tapered male tip of a syringe or the like. The projecting tip can be inserted into a corresponding female hub with an external thread and the collar screwed down to lock the connection. Such Luer lock fittings have the advantage of providing a secure connection that can not easily come loose, but two hands are needed to hold the hub while screwing the device
35 in/out. A more rapid form of attachment may be preferred in some circumstances, for example in an emergency situation. Another type of Luer fitting, commonly called a "Luer slip", simply uses a friction fit between a female hub and corresponding tapered male tip of a device without a threaded collar. A standard friction fit is achieved by a 6% taper. A Luer slip attachment is

common for infusing less viscous fluids, such as vaccinations, and transferring fluids where high pressures are not involved, for example when drawing blood.

A problem observed with both Luer lock and Luer slip connections is the risk of injury when detaching the fluid-transferring device from a hub that is still connected to a patient.

5 While a medical practitioner might take care to hold the hub and avoid injury when unscrewing a Luer lock connection, there is a temptation with a Luer slip connection to try to pull the device from the hub e.g. with one hand. However this can easily result in the hub being tugged away from the body and causing tissue damage. Often the device may not be pulled in a straight line with the cannula connected to the hub, but rotated, and this can twist the components. The
10 tape used to hold the hub e.g. IV port in position is often loosened from the skin and its cannula e.g. needle may even be accidentally extracted. When emptying fluid from a body cavity, for example, keeping the needle hub still when detaching the syringe can be essential to avoid diffuse cutting inside the cavity or damage of the cavity wall. In addition there is a risk of unacknowledged contamination of both the hub and the Luer tip (not only the user) when
15 holding the very small hub with the thumb and index fingers while pulling away the male tip, the tip sliding past the user's fingers as it is released.

Moreover tugging with a single hand does not usually apply enough force even to pull the device out of a friction fitting (such as a Luer slip) and, depending on the force used when connecting the Luer slip tip to the hub, the practitioner usually needs to hold or push the hub
20 while also pulling the device so that it becomes detached. Typically the device will be rotated simultaneously while pulling away from the hub. This jerking can result in unwanted extraction of the needle or other component connected to the hub. The connection will often be pressurised by fluid. For example, a cuff connected to a tracheostomy tube, endotracheal tube or urinary catheter often has a tight connection of the male Luer tip with two-handed operation
25 being required to loosen the connection while the sprung piston in the female Luer hub blocks the outflow of fluid (air or liquid) from the cuff.

Ease of disconnection can be a problem not only when detaching a device from a hub connected to a patient but also when it is desired to fill/empty a device such as a syringe via a fluid hub in a quick and convenient manner. For example, when filling a syringe using a needle
30 inserted in a vial, each time that the syringe is removed it requires two hands to firmly grasp the needle hub and the syringe to separate them while the needle remains in the vial. As mentioned above, there is again a risk of contamination as the user grasps the hub and the tip comes into contact with the fingers holding the hub.

Another situation where a user might come into contact with a needle hub is when using
35 a blood collection tube. The blood tubes are evacuated plastic or glass containers sealed with an elastomeric septum that is piercable by a double-ended needle to draw venous blood. Due to the piercing force and pressure differential, a secure connection to the needle assembly is required and therefore a threaded Luer lock connection is normally used rather than a Luer slip.

US 5,201,716 proposes an alternative blood specimen collection system that does not require the needle assembly to be grasped and twisted during disconnection. In this system a needle assembly is mounted with an interference fit rather than a threaded connection. A pivotally mounted lever assembly is spring-biased to hold the needle assembly in position, i.e. to provide an additional level of security over the friction fit. If the lever is actuated against its spring bias then there is only an interference fit holding the needle assembly in place. The lever can be pivoted to simultaneously release the spring bias and to apply a forward ejection force to the needle assembly.

In any situation where one hand is holding a needle hub while pulling a device away there is a risk of needlestick injury and contamination. Needle caps frequently being mislaid or forgotten can exacerbate this. This also applies when separating a needle or other contaminated component from a syringe or similar device for disposal purposes, with many needlestick injuries occurring when trying to remove sharps to throw into a bin. Usually the person handling a syringe will try to cover a contaminated needle with a cap after use, before grasping the hub to separate the needle from the syringe barrel for disposal. However, when mounting a needle cap onto the contaminated needle a person will use the large muscle groups in the arms and shoulders that work less precisely and, combined with poor depth of vision, this often results in a needlestick injury to the fingers holding the needle cap. It would be better if a needle hub could be safely released without needing to cap the needle or handle the connection.

There are various fluid transfer procedures in the medical setting that may require a very secure connection between a fluid transfer tip (e.g. provided by a syringe) and a corresponding hub. The hub may be connected to a needle or catheter inserted into an artery, vein, cavity or organ of a patient. In the field of cardiology, angiography and angioplasty procedures may inject fluids (liquid and/or air) into narrow channels at high pressure. Manual syringes and manifold sets are used for percutaneous coronary interventions and coronary diagnostic procedures such as angiography. A cardiac angiographic kit typically comprises a catheter hub for connection, a catheter body of chosen size, length and stiffness, and a tip with a single end-hole to eject fluids. The catheter body is inserted into the coronary vessels, ventricles and/or peripheral vasculature. A syringe may be connected to the catheter hub to inject contrast agents or saline at pressures ranging between 250 and 800 psi, and even up to 1000 or 1200 psi (84 bar). The catheter hub has an external thread to provide a standard Luer lock connection.

Luer lock connectors have become universal, not only for joining syringes to hubs, but also for connecting small-bore medical tubing and hoses for liquids and/or gases. Luer lock connections are commonly used for vascular IV lines but also find use in other medical treatment or diagnostic systems. Tubing and hoses may use a Luer lock connection for cuff

inflation systems, feeding tubes, catheters, and hoses for vascular, enteral, respiratory, neuraxial and urethral/urinary systems.

The screw connection of a Luer lock hub is often considered necessary to withstand high pressures. However a syringe, hose or other fluid transfer device must be rotated to connect, and disconnect, its Luer lock collar to/from the hub. This can take time and requires a two-handed operation. Furthermore, when a user grips the hub to unscrew the connection there is a risk of contamination, especially where the hub includes a needle that may carry blood on its shaft. It would improve the efficiency and workflow of medical procedures if a fluid transfer device could be disconnected from a Luer lock hub more easily.

The present invention seeks to address or mitigate the problems outlined above.

When viewed from a first aspect of the present invention there is provided a fluid transfer device comprising: a fluid transfer tip, the fluid transfer tip comprising a tapered friction fitting for a corresponding hub; a lever member pivotally mounted to move relative to the fluid transfer tip; and a screw thread mounted on the lever member to enable a hub to be connected to the tip by a screw fit in addition to the friction fitting; wherein the lever member is resiliently biased so that the screw thread is positioned to form a screw fit with the hub; and wherein the hub can be disconnected by pivoting the lever member against the resilient bias to release the screw fit with the hub and to subsequently release the hub from the friction fitting.

Such a device provides a novel mechanism for locking with a screw fit and automatic release using a lever. The screw thread mounted on the lever member enables a hub carrying a screw thread, such as a standard Luer lock hub, to be connected to the device. The hub may be connected by relative rotation, as is conventional, to ensure a tight screw connection. Such a Luer lock connection may be suited to high pressure fluid transfer procedures. A benefit of the operating the lever member to pivot away the screw thread and release the screw fit is that a hub can be disconnected from the device without an unscrewing action. The usual two-handed operation of unscrewing can be replaced by a simple one-handed operation of the lever member. Such a device may furthermore be connected to a hub carrying a flange, such as a standard Luer slip hub, with the screw thread engaging the flange to provide a positive connection in addition to the friction fitting. Other hub designs may also be positively engaged by the screw thread, as is explained further below.

The screw thread mounted on the lever member can be considered a kind of latch, as pivoting the lever member against the resilient bias releases the latch so that the screw thread is separated from a corresponding thread on an outer surface of the connected hub. This leaves the hub connected by the friction fitting alone. Simply releasing the screw fit is not enough to disconnect the hub from the fluid transfer tip; the hub can not fall away from the tip under gravity due to the friction fitting. The lever member has the additional function of also releasing the hub from the friction fitting. This can be achieved in a single smooth action by the lever member, for example a front surface thereof, moving relative to the fluid transfer tip to

push away the hub and release the friction fitting. In a preferred set of embodiments the a lever member is pivotally connected to the device with one end, such as a front surface, moveable between first and second positions relative to the fluid transfer tip.

The lever member is resiliently biased so that the screw thread is positioned to form a screw fit with the hub. This means that the default position of the lever member is one that maintains a Luer lock connection. This ensures safety and reliability. A user must actively overcome the resilient bias to release the screw fit with the hub.

As is mentioned above, a hub may be connected to the screw thread by rotating the hub as it is pushed onto the fluid transfer tip. The lever member may remain in its resiliently biased position while the hub is being connected in this way. For example, a standard Luer lock hub may be rotated by up to 270° to ensure connection of its outer screw thread with the screw thread mounted on the lever member. However, the Applicant has recognised that the time and/or manual dexterity required to rotate a hub to form the screw fit may not always be desirable. The resilient bias of the lever member means that it can be pushed aside to enable faster connection of a hub. This provides an improvement over standard Luer lock connections. For example, a hub may be pushed onto the fluid transfer tip without rotation, forcing the lever member to pivot against its resilient bias so that the screw thread is not engaged while the hub is connected onto the tapered friction fitting. A final, short rotation of the hub may then allow the screw thread to engage and the lever to return to its resiliently biased position. This may only require a turn through 90° (or less), rather than 180° or 270° , to complete the screw fit connection. The screw thread may only be partially threaded.

The screw thread mounted on the lever member may take the form of a standard helical thread. The cross-sectional shape of the thread (often called its form or thread form) may be square, rectangular, triangular (e.g. V-shaped), trapezoidal, or other shapes. A standard triangular thread form is based on an isosceles triangle and usually called V-threads. An equilateral triangle provides 60° V-threads. However it is envisaged that the screw thread may have a thread form that assists a hub in being pushed onto the tip without requiring full rotation. The screw thread may have a non-equilateral triangular thread form. For example, a triangular thread form may be angled downwardly, along a direction of decreasing taper of the fluid transfer tip, to assist in a hub pushing past the screw thread and then engaging the screw fit once the friction fitting has been formed. The thread form may even include downwardly extending teeth, or other gripping means, that prevent a hub from being forcibly disconnected without pivoting the lever member to release the screw fit. Various different thread forms may be considered, especially where the device is intended to be connected to a hub that does not carry a standard Luer lock threaded collar, e.g. a Luer slip hub carrying a flange, or any other kind of hub that can form a friction fitting with the tapered fluid transfer tip.

An advantage of using a lever member to disconnect the tip from a corresponding hub is that it can amplify an input force to provide a greater output force, i.e. providing leverage to

push a hub away from the tip. The mechanical advantage of a lever member can increase the force applied so that the device can be released without necessarily holding the hub, thereby enabling single-handed operation. Furthermore, a lever member can be ideally suited to engage the screw fit when pivoted under the resilient bias and to move the hub out of the screw fit as it pivots against the resilient bias, with further pivotal movement of the lever member also acting to release the hub from the friction fitting.

In a set of embodiments the screw thread is an internal thread carried by a partial hemispherical collar. As such a collar only extends around one side of the fluid transfer tip, e.g. up to 180° around the circumference of the fluid transfer tip, the screw fit may be released simply by pivoting the lever member to move the collar away from the fluid transfer tip and hub connected thereto.

More generally, it is preferable that the screw thread mounted on the lever member takes the form of an internally threaded collar. Such a collar may be mounted on the lever member to at least partially surround the fluid transfer tip. In order to ensure a secure Luer lock connection, the internally threaded collar may extend substantially 360° around the circumference of the fluid transfer tip. However a 360° collar can make it more difficult for the lever member to operate to release the screw fit, as the collar must be moved away from the fluid transfer tip on all sides. The Applicant has devised a solution wherein the internally threaded collar is separable into multiple segments that are arranged to be moved apart by pivoting the lever member against the resilient bias, thereby releasing the screw fit with the hub.

This is considered novel and inventive in its own right, regardless of whether the lever member is resiliently biased, and not only for fluid transfer devices (such as syringes) but any fluid transfer connection in general. Thus according to a second aspect of the present invention there is provided a fluid transfer connection comprising: a fluid transfer tip comprising a tapered friction fitting for a corresponding hub; a lever member pivotally mounted to move relative to the fluid transfer tip; and an internally threaded collar mounted on the lever member to at least partially surround the fluid transfer tip and enable a hub to be connected to the tip by a screw fit in addition to the friction fitting; wherein the internally threaded collar is separable into multiple segments; and wherein a hub is disconnected by pivoting the lever member to move the segments apart and thereby release the screw fit.

Such a fluid transfer connection benefits from the screw fit of a standard Luer lock connection, which is trusted to withstand pressurised fluid transfer procedures, but enables the Luer lock connection to be released by operating the lever member instead of unscrewing the tip from a corresponding hub. This can be a simple one-handed gesture rather than a two-handed twisting movement. The separable collar allows the lever-operated disconnection mechanism to cooperate with a standard Luer lock hub.

The internally threaded collar may be separable into multiple segments that are arranged around the circumference of the fluid transfer tip, for example partially hemispherical

segments. The multiple segments may move apart, for example by moving radially, in a direction that is in line with lever member or orthogonal to the lever member. Preferably at least some of the segments move radially outwardly relative to the fluid transfer tip. It will be appreciated that not all of the segments necessarily move radially outwardly relative to the fluid transfer tip. For example, one or more of the segments may stay still while one or more other segments move outwardly to result in the segments being spaced apart.

The internally threaded collar may surround the fluid transfer tip by up to 360°, in continuous or spaced segments. A secure Luer lock connection may be achieved by a collar that extends at least 180°, 190°, 200°, 210°, 220°, 230°, 240°, 250°, 260°, 270°, 280°, 290°, 300°, 310°, 320°, 330°, 340°, or 350° around the circumference of the fluid transfer tip. In preferred embodiments the internally threaded collar extends substantially 360° around the circumference of the fluid transfer tip. The movable segments of the collar enable a 360° screw fit to be achieved which is conveniently released by operating the lever member.

According to at least some embodiments of the second aspect of the invention the lever member may be freely pivotable, allowing a user to easily open and close the collar to connect and disconnect a hub as desired. However it may be preferable that the lever member has a default position that holds the collar closed to form the screw fit. In a preferred set of embodiments the lever member is resiliently biased so that the internally threaded collar surrounds the fluid transfer tip to form a screw fit with the hub. A user must therefore operate the lever member with sufficient force to overcome the resilient bias before the screw fit is released. This can prevent the Luer lock connection from being accidentally released. It is therefore preferable that the segments are only moved apart by pivoting the lever member against the resilient bias.

The lever member may act to separate the internally threaded collar into multiple segments that are already defined e.g. formed during manufacture. In one set of embodiments the internally threaded collar comprises pre-separated multiple segments. However the force applied by the lever member may instead be exploited to physically separate the collar into segments, for example breaking open frangible connections or areas of weakness formed in the collar. In another set of embodiments the internally threaded collar is arranged to be broken into multiple segments.

The fluid transfer tip may be connected and reconnected to a hub more than once. In a set of embodiments the internally threaded collar may be separable into hinged segments. Such hinged segments may be opened and closed by operation of the lever member. However, in at least some embodiments it is preferable that the fluid transfer tip can only be used once, e.g. to prevent cross-contamination. The collar may be designed to undergo permanent damage during disconnection of a hub so that the fluid transfer connection or device can not be re-used. In a set of embodiments there may be provided means for locking the multiple segments apart.

In embodiments of the second aspect of the invention, operation of the lever member may leave a hub connected to the tip by the friction fitting. Manual intervention may be required to fully disconnect the hub, for example a user may need to pull away the hub. However the friction fitting may not be easy to release manually, and a twisting action might be required to loosen the hub. It is therefore preferable that pivoting the lever member subsequently releases the hub from the friction fitting. As is mentioned above, the lever member, for example a front surface thereof, can be arranged to move relative to the fluid transfer tip to push away the hub and release the friction fitting. In a set of embodiments the lever member comprises a front surface having a rim arranged to move forwards along the tip after the segments have been moved apart.

The Applicant has further recognised that a resilient bias may not be an essential feature to at least some further aspects of the invention. Thus when viewed from a third aspect of the present invention there is provided a fluid transfer device or connection comprising: a fluid transfer tip, the fluid transfer tip comprising a tapered friction fitting for a corresponding hub; a lever member pivotally mounted to move relative to the fluid transfer tip; and a screw thread mounted on the lever member to enable a hub to be connected to the tip by a screw fit in addition to the friction fitting; wherein the lever member is operable to move the screw thread between at least two different positions, wherein in a first position the screw thread engages the hub and thereby assists in holding the hub in a locked position and in a second position the screw thread does not engage the hub and the lever member acts to release the hub from the friction fitting.

It is preferable that the lever member is manually operable to pivot between the first and second positions. A resilient bias may optionally be used to assist manual operation. For example, the lever member may be resiliently biased to move the screw thread into the first position. This can ensure that the screw thread automatically engages the tip without manual intervention, i.e. the locking position is the default position. Manual operation of the lever member can then overcome the bias force to move the screw thread from the first position to the second position when it is desired to release the screw fit and then disconnect the friction fitting, e.g. by pushing away the hub. However, in some embodiments the presence of such a resilient bias, e.g. a spring member, may require a user to actively operate the lever member when it is desired to connect a hub to the fluid transfer tip, whereas without a resilient bias the lever member can be left in the second position (or a neutral third position) where the screw thread is moved out of the way.

In at least one set of embodiments, the lever member is preferably mounted so as to freely pivot between the first and second positions. This removes the need for a user to overcome a bias force and can make it easier to control the lever member. This may provide a user with manual dexterity in controlling movement of the lever member and selective connection/disconnection of a hub.

Even without a resilient bias, e.g. a spring member, the lever member may be arranged so as to hold the screw thread in the first position. Thus alternatively, or in addition to a resilient bias, the lever member may hold itself in the first position or the fluid transfer device/connection may act to hold the lever member in the first position. For example, the fluid transfer device
5 may comprise a fluid chamber connected to the fluid transfer tip (e.g. a syringe) and the lever member may grip onto the fluid chamber when it moves to the first position. A user may need to apply a force to overcome the grip before the lever member can be moved away from the first position. Thus in a set of embodiments the fluid transfer device or connection further comprises gripping means arranged to hold the lever member in the first position. Such gripping means
10 act in addition to the screw fit or other positive connection to the hub.

As mentioned above, in a set of embodiments the lever member may be operable to move the screw thread into a third position, between the first and second positions, where the screw thread no longer holds the hub in a locked position but allows the hub to remain connected to the fluid transfer tip by the friction fitting.

15 The lever member may comprise an actuator portion, e.g. provided by a front surface, that acts to release the hub from the friction fitting. The actuator portion is preferably arranged to move along the tip when the lever member is pivoted between the different positions. Such embodiments are described further below.

20 While the lever member may take many different forms, preferably the lever member comprises a front surface that is substantially transverse to the axis of the tip and the front surface is arranged to move along the tip when the lever member is pivoted against the resilient bias. In order for the lever member to transfer force efficiently, it is preferable for it to be relatively stiff. However it may also be desirable to mould the device, or at least the lever member, from plastics materials so as to provide a cheap, sterile and disposable product for
25 single use in a medical setting. The lever member may be stiffened by forming it as a three-dimensional shell. Preferably the lever member comprises a front surface that is substantially transverse to the axis of the tip and one or more side surfaces that extend in a direction substantially parallel to the axis of the tip. Preferably the surfaces form a shroud extending back from the front surface and away from the fluid transfer tip. The three-dimensional extent of
30 the member can help to ensure that it is stiff even if formed of a plastics material, as is preferred in various embodiments.

35 In a set of embodiments the lever member has an at least partially cylindrical form with the side surface(s) extending substantially parallel to the axis of the fluid transfer tip being cylindrical side surfaces. The side surface(s) do not need to fully surround the axis of the fluid transfer tip. But in at least one set of embodiments the front surface of the lever member is connected to one or more side surfaces that surround the fluid transfer tip. This can stiffen the lever member so that the front surface preferably does not flex when pushed against a hub but instead transmits its kinetic energy to move the hub away.

Alternatively, or in addition, the front and side surface(s) of the lever member are preferably integrally formed. For example, at least these parts of the lever member may be formed as a single plastics moulding. Alternatively, or in addition, it is preferable that the front surface at least partially surrounds the fluid transfer tip. The front surface may entirely surround the fluid transfer tip, for example with the tip protruding through an aperture in the front surface. This can make the lever member more compact and/or make the front surface more effective in pushing against a hub mounted on the fluid transfer tip with a friction fit.

A further advantage of using a lever member to disconnect the hub is that the shape, in particular the curvature, of the front surface can be designed to control the leverage that is achieved. In one set of embodiments the front surface is curved such that initial movement of the lever member (e.g. against a resilient bias) moves the front surface substantially transverse to the fluid transfer tip to release engagement of the screw fit and further movement of the lever member (e.g. against the resilient bias) moves the front surface along the fluid transfer tip to release the hub from the friction fitting. Accordingly the curvature of the front surface provides for two different movements that are matched to the different stages of disconnection.

A potential problem with pushing a hub away from a tip is that it may be forcibly disconnected. If the hub is carrying a needle or other sharp object then this could pose an injury risk. It is therefore preferable that the device further comprises a catch means arranged to catch the hub after it has been released from the friction fitting. Preferably further movement of the lever member (e.g. against a resilient bias) causes the catch means to catch the hub. In this way the hub may be caught as it becomes disconnected but then controllably separated from the device. The catch means may be subsequently released by resiliently biased movement of the lever member, e.g. back to its resting state.

It may be desirable to disable the resilient bias (where provided) when the device is not in use, for example to make it compact for storage and/or transport. A generally applicable feature is for the device to comprise means to lock the lever member against the resilient bias.

In any of the embodiments described above, the fluid transfer device or connection may include means for mounting the lever member. Where the lever member comprises one or more side surfaces that extend in a direction substantially parallel to the axis of the fluid transfer tip, for example in a cylindrical or rectangular form, the side surface(s) can conveniently extend along at least part of the device to engage with such mounting means. Accordingly the fluid transfer device or connection can be conveniently provided with the lever member mounted ready for assistance in disconnecting the tip from a hub during use. At least some embodiments of the present invention may therefore provide a new category of fluid transfer devices, such as syringes, or other fluid transfer connections, that are manufactured and/or sold with a lever member pre-mounted ready for use. While the lever member could potentially be packaged separately and mounted to a device (or connection) as required, it is advantageous

for the device (or connection) to be packaged and sold as a single unit comprising the lever member mounted thereto.

The lever member may be mounted to or around the fluid transfer tip, especially if retrofitted to a conventional fluid transfer device or connection, as will be discussed further below. However this may risk the lever member taking up space around the fluid transfer tip that would better used to form the friction fit with a corresponding hub, or otherwise interfere with connection. In at least some embodiments it is therefore preferred that the lever member is mounted to a fluid chamber of the fluid transfer device or connection. Where the lever member comprises one or more side surfaces that extend in a direction substantially parallel to the axis of the fluid transfer tip, for example in a cylindrical or rectangular form, the side surface(s) may extend parallel to the fluid chamber for mounting purposes. Preferably the side surface(s) form a shroud extending from the fluid transfer tip to at least partially surround the fluid chamber and engage with mounting means provided by the fluid chamber.

The means for mounting the lever member may be integral with or separate from the fluid transfer tip. In one set of embodiments the fluid transfer device or connection includes integral means for mounting the lever member. In embodiments where the mounting means are integral with the fluid transfer tip, they may be positioned behind the fluid transfer tip, for example carried by a fluid chamber that is integrated with the tip. In one set of embodiments the fluid transfer device comprises a fluid chamber in communication with the fluid transfer tip and the mounting means is integrated with the fluid chamber. For example, the mounting means may comprise an axle integrated with the fluid chamber. In such examples, the fluid transfer device may comprise a syringe and the syringe barrel may have an axle moulded on its outer surface to pivotally mount the lever member. The fluid chamber, such as the barrel of a syringe, may therefore be designed to mount a lever member so that the device can be supplied with the lever member pre-mounted ready for use. In another set of embodiments the lever member could even be integrated with the fluid transfer device or connection, for example with the lever member pivotally mounted by an integral hinge. The lever member and fluid transfer device (or connection) could, for example, be formed as a single plastics moulding, e.g. with the lever member pivotally mounted by a living hinge or the like.

However, in another set of embodiments it may be desirable to retrofit a lever member to an existing fluid transfer device or connection. For example, it may be desirable to mount a lever member to a standard syringe or other device/connection so as to enjoy various of the benefits outlined above but without changing the design of the device/connection. In such embodiments it is preferable that the lever member is mounted by a separate attachment. The lever member may be attached to a fluid transfer device or connection by any suitable means. So as to avoid interference with the fluid transfer tip, the lever member may be attached to the aft end of the tip, or behind the tip, by an attachment collar.

It will be understood that such a retrofitting mechanism may be attached around the fluid transfer tip or any other part of a fluid transfer connection or device, such as a syringe, in any situation where operation of the lever member may assist in locking and subsequently disconnecting a hub to/from the tip. The mechanism may be attached before or after inserting the tip into a hub. Such a mechanism could be optionally attached to a fluid transfer device or connection by a user when it is determined that the friction fitting is too tight to be easily disconnected by pulling the tip away from the hub, or at least not without risking damage or injury. The mechanism could also be optionally attached where the fluid transfer device (or connection) is connected to a hub carrying a needle and protection from needle spike is desired.

In one set of embodiments it is preferable that the lever member is removably mounted to the device or connection. This means that a user may remove and discard the lever member if it is not required or if it is preferable to operate the device (or connection) without any interference from the lever member. Preferably the lever member is mounted in a bi-stable position such that a force above a certain threshold and/or in a certain direction must be applied to release it from its mounted position. This can prevent the lever member from being accidentally released from the device (or connection).

The Applicant has recognised that even when the lever member is resiliently biased so that the collar is normally closed around the fluid transfer tip to form a screw fit, there is a risk of a user accidentally operating the lever member and disconnecting a hub unintentionally. During some fluid transfer procedures it may be paramount to ensure that the fluid connection is not released inadvertently. This may be particularly dangerous during high pressure fluid transfer. One way of avoiding this could be to disable the lever member. For example, the fluid transfer device or connection may include means for locking the lever member so that it can not be pivoted. A user may need to actively unlock the lever member before it can be moved. Another solution could be to remove the lever member i.e. reverting to a traditional Luer lock connection that has to be manually unscrewed.

A solution that ensures a high level of safety for the Luer lock connection, without changing the lever disconnection mechanism, is to provide the hub with means for locking the lever member. Thus in a set of embodiments the hub comprises a socket having a tapered internal surface to form the friction fitting, a screw thread around an outer surface of the socket to form the screw fit, and a flange circumscribing the screw thread so as to lock the screw fit.

This is considered novel and inventive in its own right, and thus when viewed from a further aspect the present invention provides a hub for directing fluid from a fluid transfer connection, the hub comprising a socket having a tapered internal surface to form a friction fit with a corresponding fluid transfer tip inserted therein, a screw thread around an outer surface of the socket to enable a screw connection in addition to the friction fit, and a flange

circumscribing the screw thread so as to lock the screw connection with a corresponding fluid transfer tip.

5 It will be appreciated that the extra flange circumscribing the screw thread of the hub can be arranged to engage against an outer surface of an internally threaded collar that forms a screw fit with the hub i.e. the Luer lock collar of a fluid transfer device or connection. Where the collar is mounted on a lever member, this engagement means that the lever member is immobilised so that it can not be operated to release the screw fit. The hub may be designed so that the flange circumscribes the screw thread at a distance that substantially matches the width of a standard Luer lock collar. This distance may be chosen to provide an interference fit
10 between the flange and a Luer lock collar. Alternatively, or in addition, the flange may be provided with an internal gripping surface, e.g. made of a material and/or coated or treated to increase the coefficient of friction with the outer surface of a Luer lock collar.

Thus in embodiments of this aspect of the invention the hub may be connected to the fluid transfer tip of a fluid transfer device or connection, a friction fit being formed between the
15 tip and the tapered internal surface of the socket, and a screw connection being formed between the screw thread and an internally threaded collar that at least partially surrounds the fluid transfer tip. Preferably the internally threaded collar is mounted on a lever member, the lever member being pivotally mounted to move relative to the fluid transfer tip to release the screw connection. The flange circumscribing the screw thread preferably engages an outer
20 surface of the internally threaded collar so as to lock the screw connection against movement of the lever member. Thus the flange can prevent the internally threaded collar from moving or separating into multiple segments so that the screw connection can not be released.

In other embodiments the fluid transfer tip of a fluid transfer device or connection may be connected to a hub that does not include such a flange. The hub may therefore allow a lever
25 member to operate to move or separate an internally threaded collar that forms a screw connection/fit with the hub. In a set of embodiments the hub may comprise a tapered internal surface and an outer rim at its base, for example a standard Luer slip hub. The outer rim may form an interference fit with the internally threaded collar that is akin to a screw fit. In another set of embodiments the hub may comprise a tapered internal surface and an outer thread at its
30 base, for example a standard Luer lock hub. The outer thread of such a hub is of course intended to form a screw fit with the internally threaded collar of a corresponding Luer lock fitting.

Furthermore, although the various aspects of the invention described above relate to a screw thread or internally threaded collar being mounted on the lever member to form a screw
35 fit with the hub, it will be appreciated that the invention may be extended to any latch or positive connection acting to lock the hub in addition to the normal friction fitting. For example, a suitable positive connection may be achieved by engaging a pair of male/female parts. Thus according to a further broad aspect of the present invention there is provided a fluid transfer

device or connection comprising: a fluid transfer tip, the fluid transfer tip comprising a tapered friction fitting for a corresponding hub; a lever member pivotally mounted to move relative to the fluid transfer tip; and a latch mounted on the lever member to engage a part mounted on the hub and provide a positive connection in addition to the friction fitting; wherein the hub is
5 disconnected from the tip by pivoting the lever member to release the latch and to subsequently release the hub from the friction fitting. In some examples the latch may provide a positive connection on just one side of the fluid transfer tip, for example a latch extending up to 90° or up to 180° around the tip. In other examples the latch may provide a positive connection substantially all the way around the fluid transfer tip, for example a latch extending at least 180°
10 or 270° and up to 360° around the tip. The latch may take the form of a screw thread or internally threaded collar. Any of the preferred features described above may equally be applied to this further aspect of the invention.

It is also envisaged that suitable hubs may deviate from standard Luer slip or Luer lock designs. The Applicant has recognised that when a hub is to be disconnected using a lever
15 member it may be helpful to provide space below the outer rim or thread for the lever member to interact with the hub. Thus in a set of embodiments the hub comprises a tapered internal surface and an outer rim or thread spaced from its base by a skirt portion. The skirt portion can conveniently provide room for a lever member to rotate before it comes into contact with the rim or thread. As is described above, this may allow an internally threaded collar to open to release
20 the screw fit before further movement of the lever member moves a front surface (e.g. having a rim) forwards along the fluid transfer tip, past the skirt portion, to release the hub from the friction fitting by pushing against the rim or thread. The skirt portion may be flexible.

In at least some embodiments, the hub may further comprise an additional means for gripping a fluid transfer tip when the hub is connected thereto. For example, the additional
25 means for gripping a tip may comprise a flange or groove provided on the tapered internal surface. The flange or groove on the inner surface of the hub may engage over a corresponding groove or flange when it is connected to a tip. Accordingly, such a corresponding groove or flange may be provided on the fluid transfer tip. For example, the hub may comprise an annular groove on its tapered internal surface and the fluid transfer tip may be
30 circumscribed by an annular gripping flange.

During use, the hub may be connected to a fluid transfer tip provided by a fluid transfer device or connection in the form of a syringe, blood collection tube, hose, tubing, IV line, stopper or closing cone. The hub may take the form of any female Luer lock connector, for
35 example including a fluid connection to a catheter, cannula or hypodermic needle. The fluid transfer device or connection may be arranged to transfer liquids and/or gases.

The fluid transfer device may comprise any type of device used to transfer fluid - liquid and/or gas - either to or from a fluid receptacle. The fluid receptacle may be inanimate or it may be part of a living subject, for example a bodily cavity, organ or vessel, such as a vein or artery.

Although the present invention may find a wide range of uses, preferably the fluid transfer device is a medical device. The fluid transfer device may comprise one or more devices such as a syringe, pre-filled syringe, IV delivery device e.g. "drip", transfusion device, fluid pump, stopcock, aspirator, suction device, container for a blood collection tube or hose. The device
5 may be made to meet the relevant medical standard(s), for example ISO 7886 for sterile hypodermic syringes.

Some embodiments of the present invention will now be described, by way of example only, and with reference to the accompanying drawings, in which:

Figures 1a to 1d show an embodiment of a disconnecting mechanism for a syringe
10 connected to a needle hub;

Figures 2a and 2b provide a side and a cross-sectional view of a conventional Luer slip hub;

Figures 3a and 3b provide a side and a cross-sectional view of a conventional Luer lock hub;

Figures 4a to 4e show another embodiment of a disconnecting mechanism for a syringe
15 connected to a needle hub;

Figures 5a and 5b provide plan views showing an alternative to Figures 4c and 4d;

Figures 6a and 6b show a first variant of the embodiment of Figure 4;

Figures 7a and 7b show a second variant of the embodiment of Figure 4;

Figures 8a to 8d provide plan and perspective views showing an alternative version of
20 the embodiment of Figure 4;

Figures 9a to 9d illustrate some examples of a separable collar for use in the embodiments of Figures 4 to 7;

Figures 10a and 10b illustrate third and fourth variants of the embodiment of Figure 4;

Figures 11a and 11b illustrate fifth and sixth variants of the embodiment of Figure 4;

Figures 12a and 12b show another embodiment of a hub;

Figure 13 shows another variant of a hub;

Figures 14a and 14b provide a side and a cross-sectional view of a different Luer lock
hub;

Figures 15a and 15b provide perspective views of a hub connected to, and disconnected
30 from, a syringe;

Figures 16a and 16b provide cross-sectional views of a first embodiment corresponding to Figures 15a and 15b;

Figures 17a and 17b provide cross-sectional views of a second embodiment
35 corresponding to Figures 15a and 15b;

Figures 18a and 18b provide cross-sectional views of a third embodiment corresponding to Figures 15a and 15b; and

Figure 19 shows a disconnecting mechanism mounted to a fluid transfer tip at the end of a fluid transfer hose.

Figures 1a to 1d illustrate an embodiment of a disconnecting mechanism for a hub 10. The syringe 2 has a fluid transfer tip 6 that is tapered so as to form a Luer slip connection i.e. friction fitting with a corresponding hub 10. In addition the tip 6 may optionally be provided with an annular gripping flange 8 surrounding the tip 6 close to the barrel 4 of the syringe 2. The hub 10 may be a standard Luer slip hub 10 as seen in Figures 2a and 2b, or a hub 410 as seen in Figures 14a and 14b which includes an annular groove on its inner surface to grip onto the flange 8. The hub 10 may be similar to a standard Luer slip hub having an internal taper and an outer rim 12, except additionally provided with a skirt extending below the rim 12. Alternatively, the hub 10 may be a standard Luer lock hub 110 as seen in Figures 3a and 3b.

In this embodiment (see Fig. 1a) the syringe 2 has a pivotally mounted lever member 34 which carries a forwardly extending latch 46 in the form of a partial hemispherical collar carrying an internal thread. As is seen from Fig. 1b, the hub 10 may be connected to the tip 6 by pushing it onto the friction fitting at the same time as twisting the hub 10 to connect (e.g. the rim 12) with the threads of the latch 46. If the hub 10 is not rotated then it may still be pushed along the tip 6, forcing the lever member 34 to pivot against its resilient bias, and then finally rotated to form a screw fit. In its resiliently biased position, seen in Fig. 1c, the lever member 34 is pivoted to keep the threads positively engaged. Although a two-handed operation may be required to connect the hub 10 to the syringe 2, the lever member 34 can be used to disconnect the hub 10 in a continuous, single-handed movement. Fig. 1d shows the lever member 34 being pivoted down against the resilient bias of its leaf spring 40 so that the threaded latch 46 is moved away from the hub 10 so that it no longer assists in holding the hub in a locked position. Pivotal movement of the lever member 34 also pushes the hub 10 out of engagement with the gripping flange 8 on the tip 6 and releases the friction fitting. An optional catch member 44 is provided to prevent the hub 10 from flying away from the syringe 2.

In these embodiments the outer rim 12 of a standard Luer slip hub 10 is twisted to form a screw fit with an internal thread mounted on the latch 46 of the lever member 34. However a Luer slip hub is not usually intended to form a screw fit with a fluid transfer tip in the same way as a Luer lock connector. A Luer lock hub has an outer thread rather than a flat rim so as to ensure that a screw fit connection is made. Figures 2 and 3 compare conventional hubs. Figs. 2a and 2b show a standard Luer slip hub 10 having an outer rim 12. Figures 3a and 3b show a standard Luer lock hub 110 having an outer thread 112. Either of these hubs 10, 110 may be connected to the fluid transfer tip 6 of the syringe 2 seen in Figs. 1a-1d, the screw threads of the latch 46 engaging with either the rim 12 or outer thread 112 to provide a positive connection e.g. screw fit in addition to the friction fitting.

There will now be described some embodiments of a disconnecting mechanism for a standard Luer lock hub 110. In Figures 4a-4e there is seen a syringe 102 that has a pivotably

mounted lever member 134 resiliently biased by a leaf spring 140. The Luer lock hub 110 is connected to the tip 106 of the syringe 102 by a friction fitting between the tapered surfaces. The Luer lock hub 110 has an outer thread 112 at its base which enables the hub 110 to be connected by a screw fit in addition to the friction fitting. A conventional Luer lock syringe would provide an internally threaded collar that could be twisted onto the hub 110. However in these
5 embodied in an internally threaded collar 146 is mounted on the lever member 134 and arranged to be split open when the lever member 134 is operated.

In order to connect or disconnect the hub 110 from the tip 106, the lever member 134 may be moved against the resilient bias of the spring 140 so as to open the collar 146, as is
10 seen in Fig. 4b. It is no longer necessary to rotate the syringe 102 or the hub 110 when connecting or disconnecting. The screw connection is simply released when the lever member 134 is pressed down. When disconnecting the syringe 102 from the hub 110, it may not even be necessary to forcibly separate the friction fitting. As the lever member 134 is pivoted against
15 the syringe 102 its front surface, or a rim on the front surface, may push forwards along the tip 106 so as to push away the hub 110 and automatically separate the connection in a single one-handed operation, as is seen in Fig. 4c. An optional catch member 144 may be arranged to prevent the hub 110 from flying off. Further details of such a lever mechanism may be found in the Applicant's published application WO 2013/164358, the contents of which are hereby
incorporated by reference.

When the lever member 134 is released, it automatically pivots under the resilient bias of
20 the spring 140 so that the threaded collar 146 closes around the outer thread 112 of the Luer lock hub 110. Unlike the hemispherical collar seen in Figure 1, the threaded collar 146 can extend substantially 360° around the circumference of the Luer lock hub 110. This ensures the integrity of the screw fit providing the Luer lock connection. The plan views of Figures 4d and
25 4e demonstrate how, in one example, the threaded collar 146 splits apart into two hemispherical segments when the lever member 134 is operated. Of course the threaded collar 146 may separate into multiple parts that move radially outwardly from one another when the collar is opened. These partly hemispherical segments may not be equal in circumference. An example of a threaded collar 246 that separates into three segments is shown in the plan views of Figs.
30 5a and 5b.

It will be appreciated that when the threaded collar 146 is closed around the hub 110, its segments may not exactly touch one another, for example as seen in Figures 6a and 6b. In one example, seen in Figures 7a and 7b, the threaded collar 146 forms a continuous 360 degree
thread around the Luer lock hub 110.

When the lever member 134 is operated, the internally threaded collar 146 may separate
35 into multiple segments that separate radially parallel to the lever member 134. In other embodiments, for example as shown in Figures 8a to 8c, a lever member 134 may carry an

internally threaded collar 146 that separates into multiple segments that spread apart radially in a direction transverse to the lever member 134.

In any of these embodiments, the internally threaded collar 146 may already be separated into separate segments, for example a cut collar as seen in Fig. 9a. Alternatively, the threaded collar 146 may be formed as an integral 360° circle around the tip 106, but with one or more areas of weakness or frangible lines that enable the collar to split apart into multiple segments when a force is applied to the lever member 134. Figures 9b to 9d illustrate some possible examples.

It will be appreciated that the lever member 134 may operate to split open the threaded collar 146 in any suitable way. In the illustrated example of Figure 10a, a feature on the tip 106 is arranged to push against one or more of the segments of the threaded collar 146 when the lever member 134 is operated. In the illustrative example of Figure 10b, a feature provided on the barrel 104 of the syringe 102 may act to push open the threaded collar 146 when the lever member 134 is operated.

In at least some of these embodiments it is envisaged that the lever member 134 may be operated multiple times so as to open and close the threaded collar 146 and allow multiple connection and disconnection events to take place. However, in a medical setting where fluid transfer devices such as syringes are typically intended to only be used once, it can be desirable for the disconnecting mechanism to render the device unusable after a single use. Figures 11a and 11b illustrate some possible ways of achieving this. In Fig. 11a it is seen that the segments of the threaded collar 146 become permanently deformed upon operation of the lever member, so that the collar cannot be used again. Figure 11b shows an alternative design where the segments of the collar 146 become locked in an open position once the lever member has operated.

It is an advantage of the embodiments described above that a standard Luer lock hub 110 can be connected and disconnected using the one-hand operation of a lever member. The resilient bias acting on the lever member ensures that its default position holds the threaded collar closed around the hub 110 and a user must purposely apply pressure to the lever member in order to unlock the connection. However, there may be some circumstances where a syringe or other fluid transfer device that carries such a lever member is to have a Luer lock connection with a hub, but without any risk of a user accidentally operating the lever member and opening the screw fit connection. In such situations, a standard Luer lock hub may be replaced with a novel locking hub 210 as seen in Figures 12a and 12b. In addition to the external thread 212, the hub 210 includes a circumferential flange 214 that circumscribes the screw thread 212. As is seen from Figure 12b, this hub 210 may be connected to the tip 106 of a syringe 102 by twisting the screw thread 212 into engagement with the internally threaded collar 146 so that the outer flange 214 surrounds the collar 146 and therefore locks a screw connection. Even if pressure is applied to the lever member 134, it is not able to pivot and open

the collar 146 due to the circumscribing flange 214 provided by the hub 210. The only way that a user can disconnect the hub 210 from the tip is by unscrewing it in the same way as a conventional Luer lock connection.

5 A similar type of locking flange may also be provided on a Luer slip hub. In another variant seen in Figure 13, the lever member 334 is provided with an outwardly facing latch member 366, such as a partial hemispherical collar, that can lock inside the flange 314 of the hub 310.

10 Another hub 410 is shown in Figures 14a and 14b. It may be seen that the hub 410 carries an external thread 412, which means that the hub 410 may be used with a standard Luer lock connection if desired. The thread 412 may be omitted or replaced by a plain rim, in other variants. However, as compared to a conventional Luer lock hub (seen in Figs. 3a and 3b), the hub 410 comprises a skirt 414 below the thread 412. The skirt 414 extends downwardly so as to pass through the slot in the front surface of the lever member. The skirt 414 therefore provides a surface that helps the lever member to engage the hub 410. It can
15 further be seen from the cross-section shown in Fig. 14b that the skirt 414 has an annular groove 416 formed on its inner surface in addition to being tapered. The groove 416 provides an additional means for the hub 410 to be gripped when connected to a fluid transfer tip by a friction fitting, in particular a fluid transfer tip circumscribed by an annular gripping flange. Finally, it can also be seen from Figs. 14a and 14b that the hub 410 may optionally include an
20 outer ring 418 which is an ergonomic feature making it easier for a user to push the hub 410 onto a tip. Such a hub 410 may be connected/disconnected to/from the fluid transfer tip 6, 106 of a syringe 2, 102 as described above in relation to Figs. 1-12.

25 Figures 15-18 illustrate some further embodiments of a locking and disconnecting mechanism for a hub 510, seen here as a standard Luer slip hub 510 carrying a flange 512. The hub 510 may be replaced by any of the other hubs described above. The hub 510 may carry a needle (not shown) or form part of a fluid transfer connection. The syringe 502 has a fluid transfer tip 506 that is tapered to form a Luer slip i.e. friction fitting with the hub 510. Behind the fluid transfer tip 506, a lever member 534 is pivotally mounted to the barrel 504 of the syringe 502. The lever member 534 carries a latch 546 in form of a screw thread or
30 internally threaded collar. The lever member 534 can be manually operated to move the latch 546 between different positions.

35 As is seen in Fig. 15a, in a first position the lever member 534 is pivoted down so that the screw thread of the latch 546 engages the flange 512 of the hub 510 and thereby assists in holding the hub in a locked position. As is seen in Fig. 15b, in a second position the lever member 534 is pivoted up so that the screw thread does not engage the hub 510 and, furthermore, the lever member 534 acts to release the hub 510 from the friction fitting by pushing it forwards along the tip 506. Although a two-handed operation may be required to connect the hub 510 to the syringe 502, the lever member 534 can be used to disconnect the

hub 510 in a continuous, single-handed movement. As seen in the cross-sectional views of Figs. 16a and 16b, an optional catch member 544 may be provided on the lever member 534 to prevent the hub 510 from flying away from the syringe 502 when it is released by movement into the second position.

5 The lever member 534 may be freely pivotable between the first and second positions seen in Figs. 15a and 15b. The cross-sectional views of Figs. 17a and 17b show movement of the lever member 534 between the first (locking) position and the second (releasing and disconnecting) position. Alternatively, the lever member 534 may be resiliently biased into the first position e.g. by a leaf spring 540 (or other spring member), as seen in the cross-sectional
10 views of Figs. 18a and 18b. In this example a user must pivot the lever member 534 against the resilient bias of the leaf spring 540 in order to move the latch 546 away from the hub 510 and push the hub 510 along the tip 506, thereby releasing the friction fitting.

 Of course various embodiments of the present invention, such as those described above, are not limited to a fluid transfer device in the form of a syringe. It will be appreciated
15 that the disconnecting mechanisms described herein are not limited to use with a syringe comprising a barrel as a fluid chamber, but may instead be mounted to a fluid transfer tip at the end of a hose, pipe, cannula, etc. Figure 19 shows a lever-actuated disconnection mechanism mounted to a fluid transfer tip at the end of a fluid transfer hose. Equally, such a hose or other
20 fluid transfer device could replace the syringe shown in any of the other embodiments described above.

Claims

1. A fluid transfer device comprising:
a fluid transfer tip, the fluid transfer tip comprising a tapered friction fitting for a
5 corresponding hub;
a lever member pivotally mounted to move relative to the fluid transfer tip; and
a screw thread mounted on the lever member to enable a hub to be connected to the tip
by a screw fit in addition to the friction fitting;
wherein the lever member is resiliently biased so that the screw thread is positioned to
10 form a screw fit with the hub;
and wherein the hub can be disconnected by pivoting the lever member against the
resilient bias to release the screw fit with the hub and to subsequently release the hub from the
friction fitting.
- 15 2. A fluid transfer device according to claim 1, wherein the screw thread is an internal
thread carried by a partial hemispherical collar.
3. A fluid transfer device according to claim 1, wherein the screw thread mounted on the
lever member takes the form of an internally threaded collar.
- 20 4. A fluid transfer device according to claim 3, wherein the internally threaded collar
extends substantially 360° around the circumference of the fluid transfer tip.
5. A fluid transfer device according to claim 3 or 4, wherein the internally threaded collar is
25 separable into multiple segments that are arranged to be moved apart by pivoting the lever
member against the resilient bias, thereby releasing the screw fit with the hub.
6. A fluid transfer connection comprising:
a fluid transfer tip comprising a tapered friction fitting for a corresponding hub;
30 a lever member pivotally mounted to move relative to the fluid transfer tip; and
an internally threaded collar mounted on the lever member to at least partially surround
the fluid transfer tip and enable a hub to be connected to the tip by a screw fit in addition to the
friction fitting;
wherein the internally threaded collar is separable into multiple segments; and
35 wherein a hub is disconnected by pivoting the lever member to move the multiple
segments apart and thereby release the screw fit.

7. A fluid transfer connection according to claim 6, wherein the internally threaded collar extends substantially 360° around the circumference of the fluid transfer tip.

8. A fluid transfer connection according to claim 6 or 7, wherein the lever member is resiliently biased so that the internally threaded collar surrounds the fluid transfer tip to form the screw fit.

9. A fluid transfer connection according to claim 8, wherein the segments are moved apart by pivoting the lever member against the resilient bias.

10. A fluid transfer connection according to any of claims 6-9, wherein at least some of the segments move radially outwardly relative to the fluid transfer tip.

11. A fluid transfer connection or device according to any of claims 3-10, wherein the internally threaded collar comprises pre-separated multiple segments.

12. A fluid transfer connection or device according to any of claims 3-10, wherein the internally threaded collar is arranged to be broken into multiple segments.

13. A fluid transfer connection or device according to any of claims 3-12, wherein the internally threaded collar is separable into hinged segments.

14. A fluid transfer connection according to any of claims 6-13, further comprising means for locking the multiple segments apart.

15. A fluid transfer connection according to any of claims 6-14, wherein pivoting the lever member subsequently releases the hub from the friction fitting.

16. A fluid transfer device or connection comprising:

a fluid transfer tip, the fluid transfer tip comprising a tapered friction fitting for a corresponding hub;

a lever member pivotally mounted to move relative to the fluid transfer tip; and

a screw thread mounted on the lever member to enable a hub to be connected to the tip by a screw fit in addition to the friction fitting;

wherein the lever member is operable to move the screw thread between at least two different positions, wherein in a first position the screw thread engages the hub and thereby assists in holding the hub in a locked position and in a second position the screw thread does not engage the hub and the lever member acts to release the hub from the friction fitting.

17. A fluid transfer device or connection according to claim 16, wherein the lever member is manually operable to pivot between the first and second positions

5 18. A fluid transfer device or connection according to claim 16 or 17, further comprising gripping means arranged to hold the lever member in the first position.

19. A fluid transfer device or connection according to any of claims 16-18, wherein the lever member is resiliently biased to move the screw thread into the first position.

10

20. A fluid transfer device or connection according to any of claims 16-19, wherein the lever member is operable to move the screw thread into a third position, between the first and second positions, where the screw thread no longer holds the hub in a locked position but allows the hub to remain connected to the fluid transfer tip by the friction fitting.

15

21. A fluid transfer device or connection comprising:

a fluid transfer tip, the fluid transfer tip comprising a tapered friction fitting for a corresponding hub;

a lever member pivotally mounted to move relative to the fluid transfer tip; and

20

a latch mounted on the lever member to engage a part mounted on the hub and provide a positive connection in addition to the friction fitting;

wherein the hub is disconnected from the tip by pivoting the lever member to release the latch and to subsequently release the hub from the friction fitting.

25

22. A fluid transfer device or connection according to claim 21, wherein the lever member is resiliently biased so that the latch provides said positive connection.

23. A fluid transfer device or connection according to any preceding claim, wherein the lever member comprises a front surface that is substantially transverse to the axis of the tip and the front surface is arranged to move along the tip when the lever member is pivoted.

30

24. A fluid transfer device or connection according to claim 23, wherein the front surface is curved such that initial pivoting movement of the lever member moves the front surface substantially transverse to the fluid transfer tip to release the screw fit and further movement of the lever member moves the front surface along the fluid transfer tip to release the hub from the friction fitting.

35

25. A fluid transfer device or connection according to any preceding claim, wherein the lever member comprises a front surface having a rim arranged to move forwards along the tip after the segments have been moved apart.

5 26. A fluid transfer device or connection according to any preceding claim, wherein the lever member comprises a catch means arranged to catch the hub after it has been released from the friction fitting.

10 27. A fluid transfer device or connection according to claim 26, wherein the lever member is resiliently biased and pivoting the lever member against the resilient bias causes the catch means to catch the hub.

28. A fluid transfer device or connection according to claim 26 or 27, wherein the catch means is arranged to be released by resiliently biased movement of the lever member.

15 29. A fluid transfer device or connection according to any preceding claim, further comprising means for mounting the lever member.

20 30. A fluid transfer device or connection according to claim 29, wherein the means for mounting the lever member are integral with or separate from the fluid transfer tip.

31. A fluid transfer device or connection according to claim 30, wherein the lever member is mounted by a separate attachment.

25 32. A fluid transfer device or connection according to any preceding claim, wherein the lever member is removably mounted.

30 33. A fluid transfer device or connection according to any preceding claim, wherein the fluid transfer tip comprises a male connector tip that is tapered to form the friction fitting when inserted into a corresponding female hub.

34. A fluid transfer device or connection according to any preceding claim, wherein a hub is connected to the fluid transfer tip.

35 35. A fluid transfer device or connection according to claim 34, wherein the hub comprises a tapered internal surface and an outer rim at its base.

36. A fluid transfer device or connection according to claim 34, wherein the hub comprises a tapered internal surface and an outer thread at its base.

37. A fluid transfer device or connection according to claim 34, wherein the hub comprises a tapered internal surface and an outer rim or thread spaced from its base by a skirt portion.

38. A fluid transfer device or connection according to claim 37, wherein the skirt portion is flexible.

39. A fluid transfer device or connection according to any of claims 35-38, wherein the hub further comprises a groove or flange provided on the tapered internal surface for gripping a corresponding flange or groove on the fluid transfer tip.

40. A fluid transfer device or connection according to any of claims 34-39, wherein the hub provides a fluid connection to a catheter, cannula or hypodermic needle.

41. A fluid transfer device or connection according to any preceding claim, wherein the fluid transfer tip is part of a syringe.

42. A fluid transfer device or connection according to claim 34, wherein the hub comprises a socket having a tapered internal surface to form the friction fitting, a screw thread around an outer surface of the socket to form the screw fit, and a flange circumscribing the screw thread so as to lock the screw fit.

43. A hub for directing fluid from a fluid transfer connection, the hub comprising a socket having a tapered internal surface to form a friction fit with a corresponding fluid transfer tip inserted therein, a screw thread around an outer surface of the socket to enable a screw connection in addition to the friction fit, and a flange circumscribing the screw thread so as to lock the screw connection with a corresponding fluid transfer tip.

44. A hub according to claim 43, including a fluid connection to a catheter, cannula or hypodermic needle.

45. A hub according to claim 43 or 44, wherein the screw thread is spaced from a base of the hub by a skirt portion.

46. A hub according to claim 45, wherein the skirt portion is flexible.

47. A hub according to any of claims 43-46, further comprising an additional means for gripping a fluid transfer tip when the hub is connected thereto.

5 48. A hub according to claim 47, wherein the additional means for gripping a tip comprises a flange or groove provided on the tapered internal surface.

49. A hub according to any of claims 43-48, connected to a fluid transfer tip provided by a fluid transfer device or connection in the form of a syringe, blood collection tube, hose, tubing, IV line, stopper or closing cone.

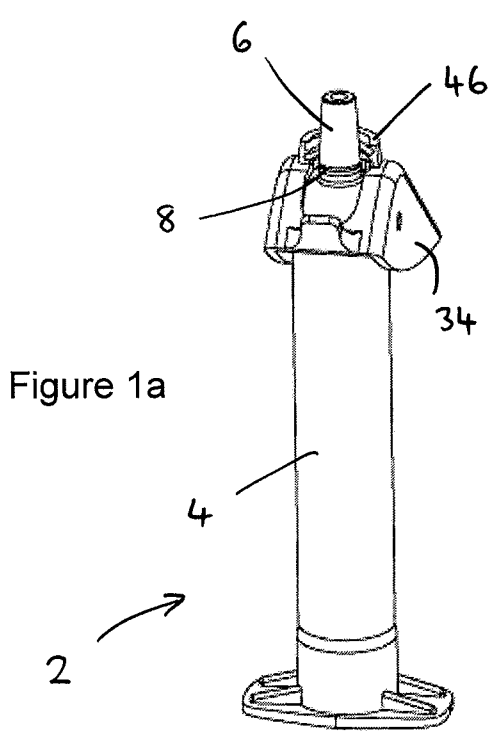


Figure 1a

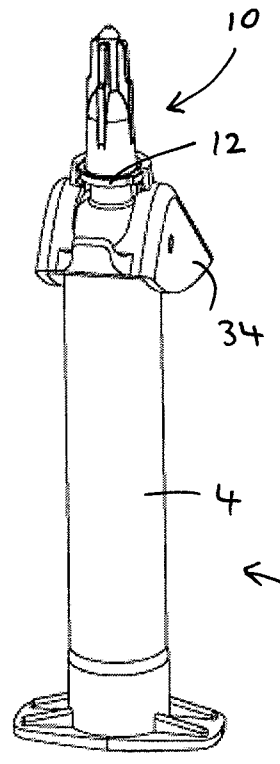


Figure 1b

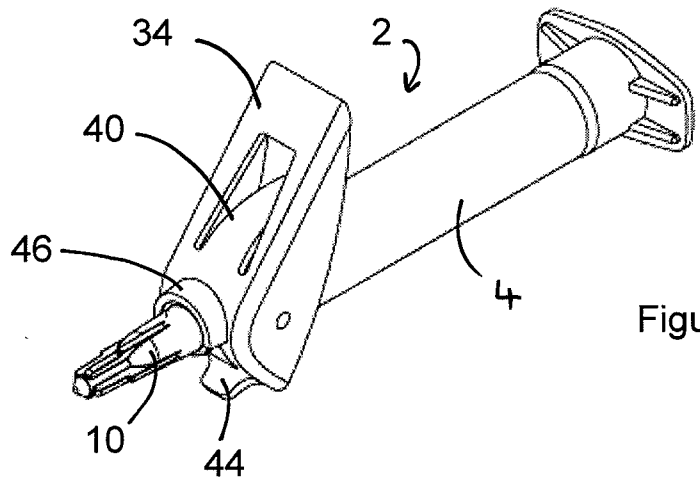


Figure 1c

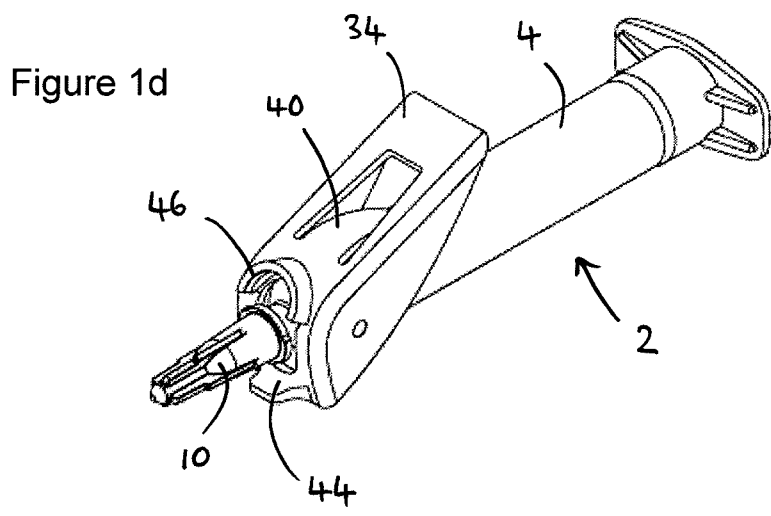


Figure 1d

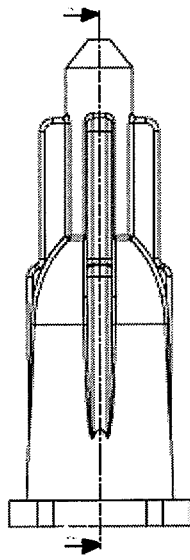


Fig. 2a

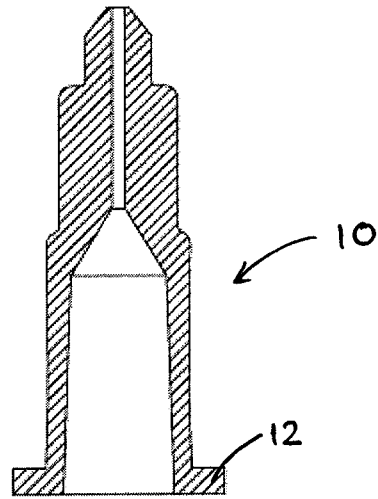


Fig. 2b

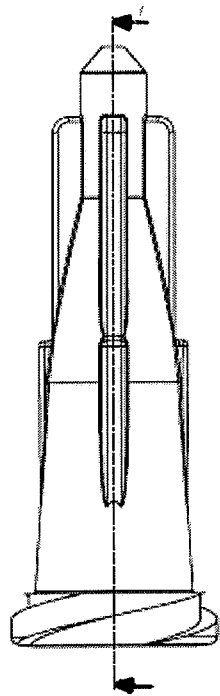


Fig. 3a

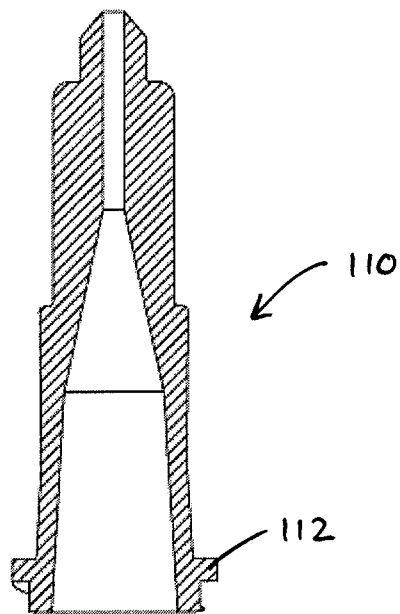
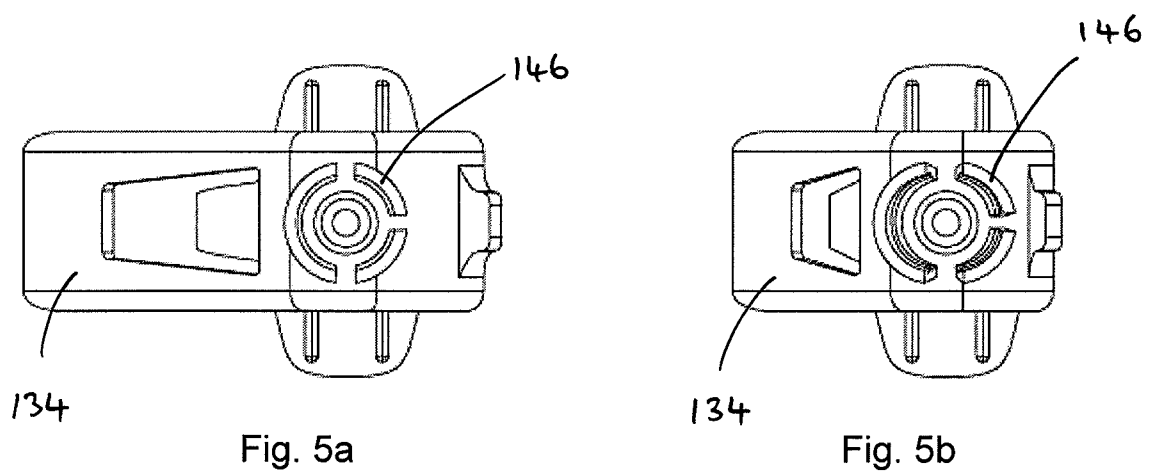
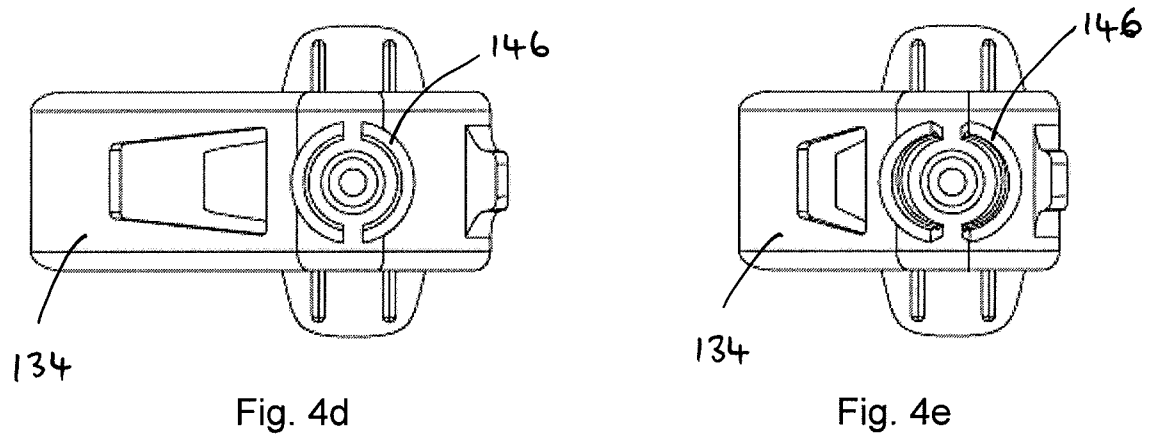
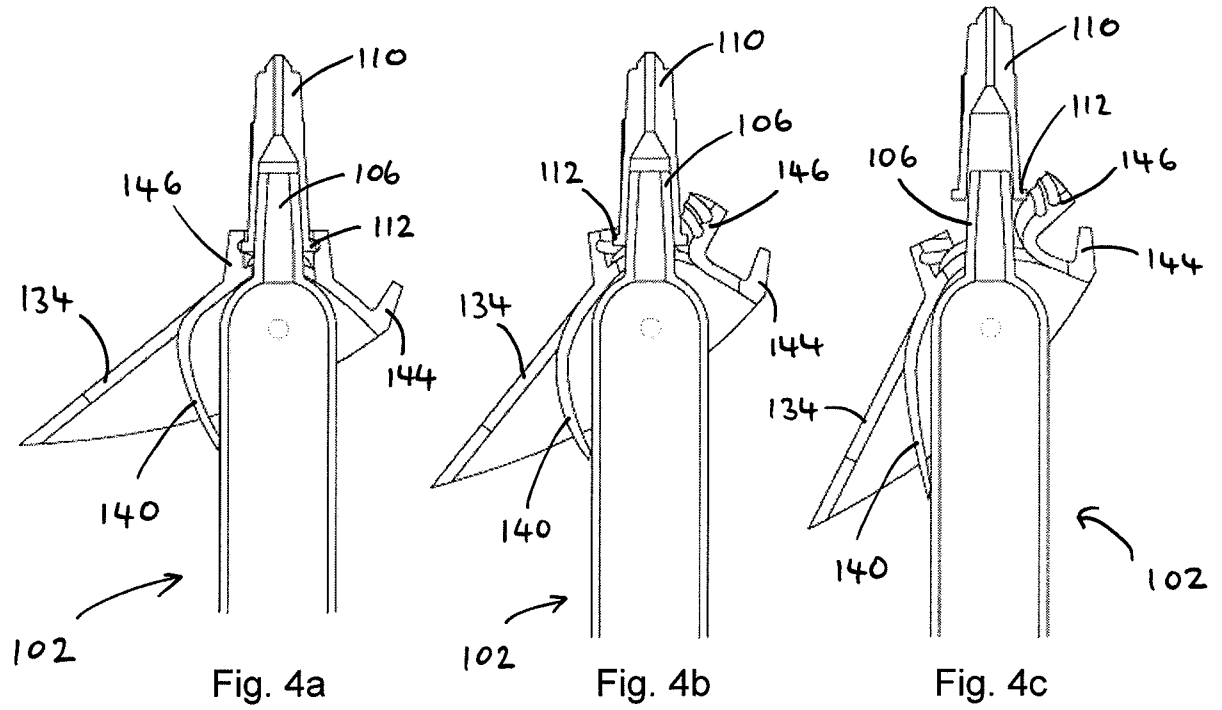


Fig. 3b



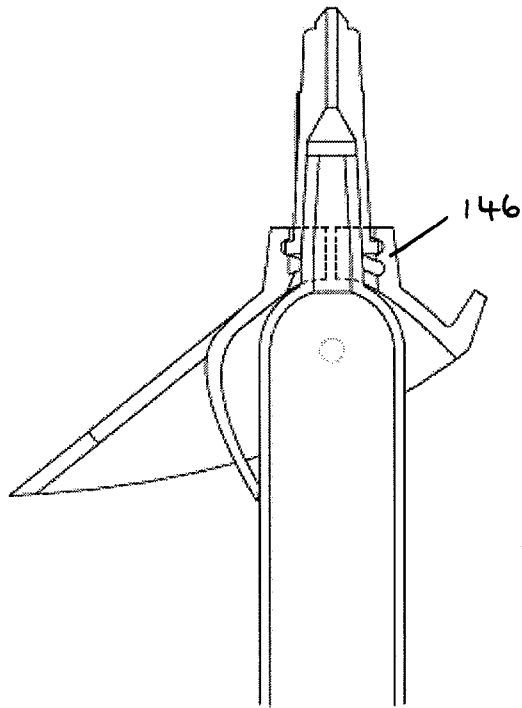


Fig. 6a

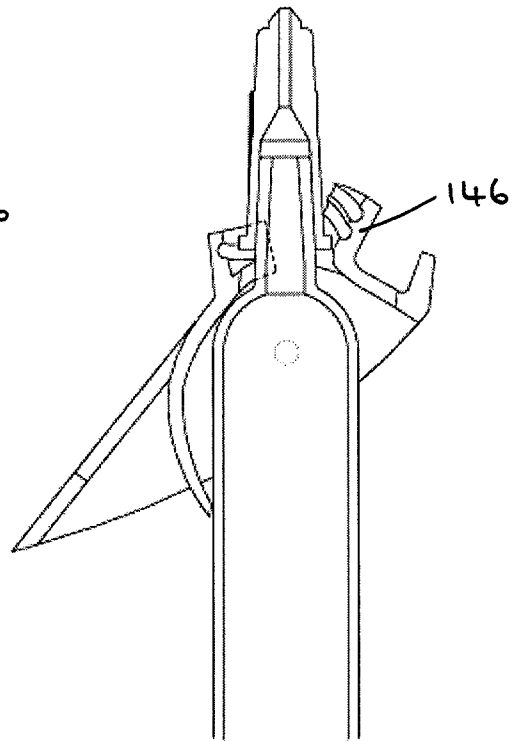


Fig. 6b

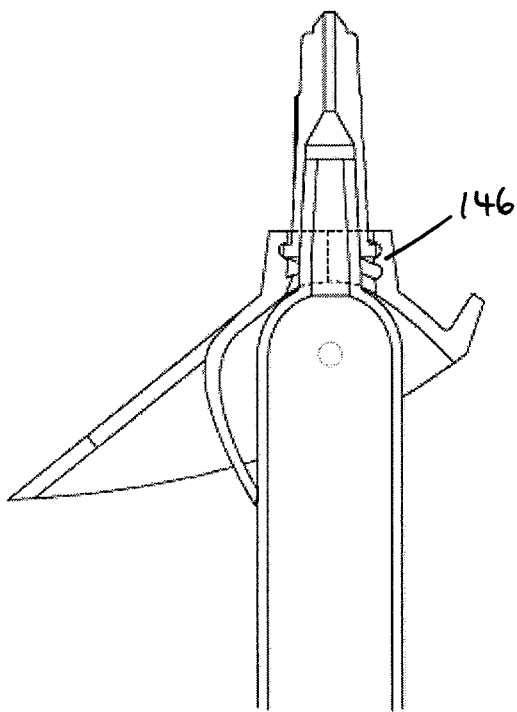


Fig. 7a

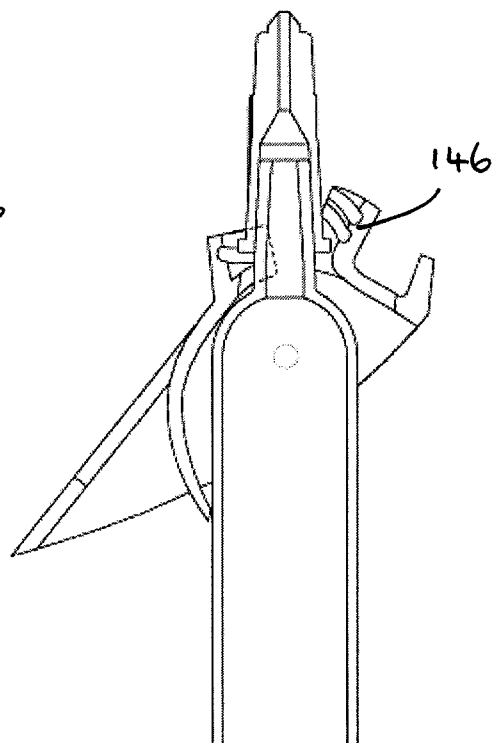


Fig. 7b

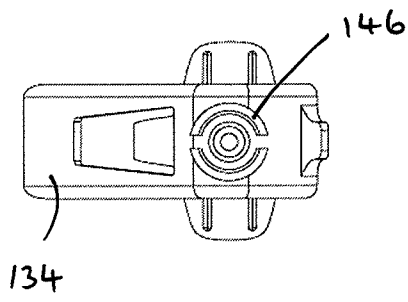


Fig. 8a

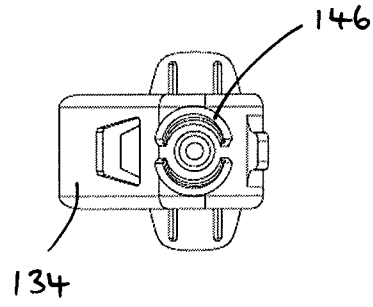


Fig. 8b

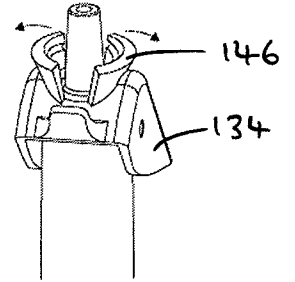


Fig. 8c

Fig. 9a

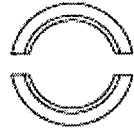


Fig. 9b



Fig. 9c

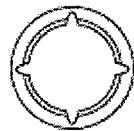
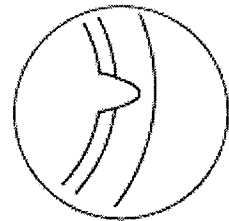
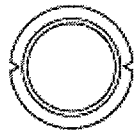
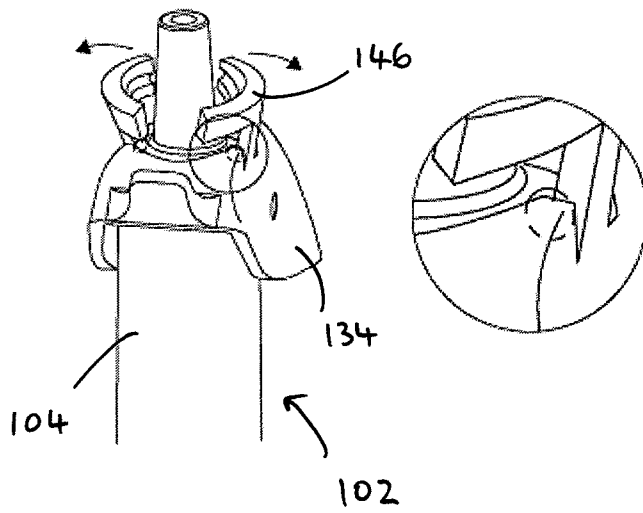
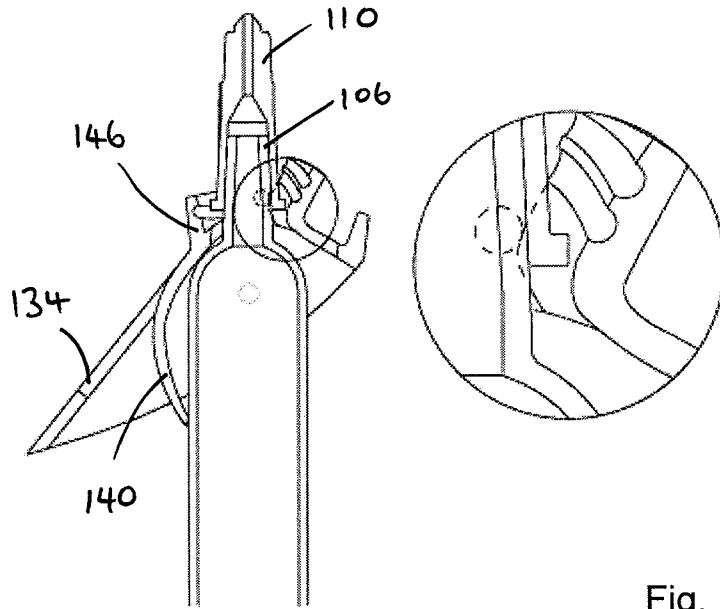


Fig. 9d





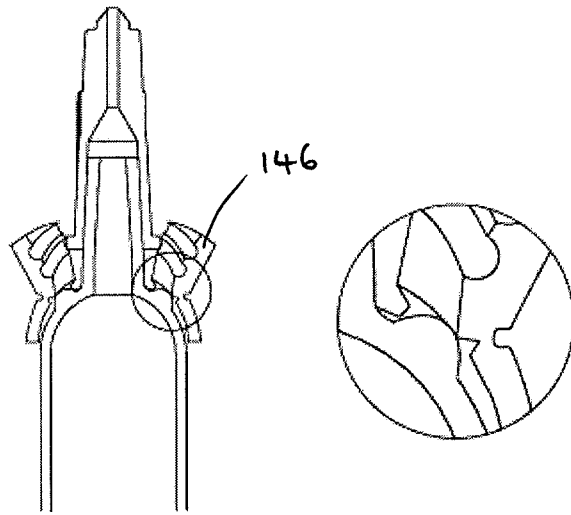


Fig. 11a

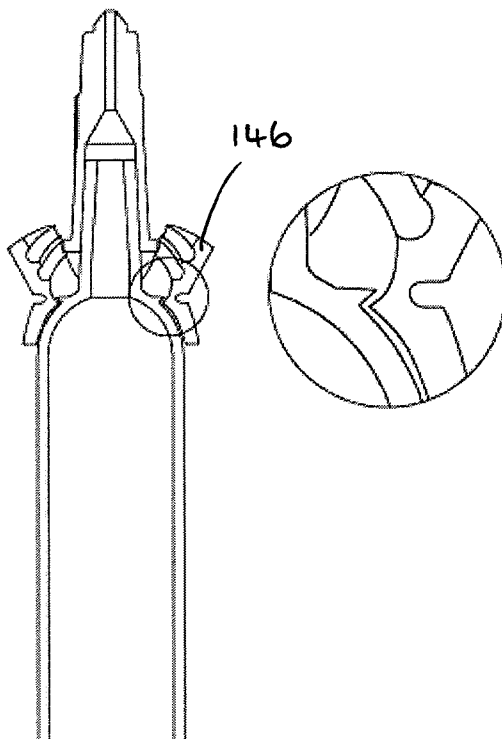


Fig. 11b

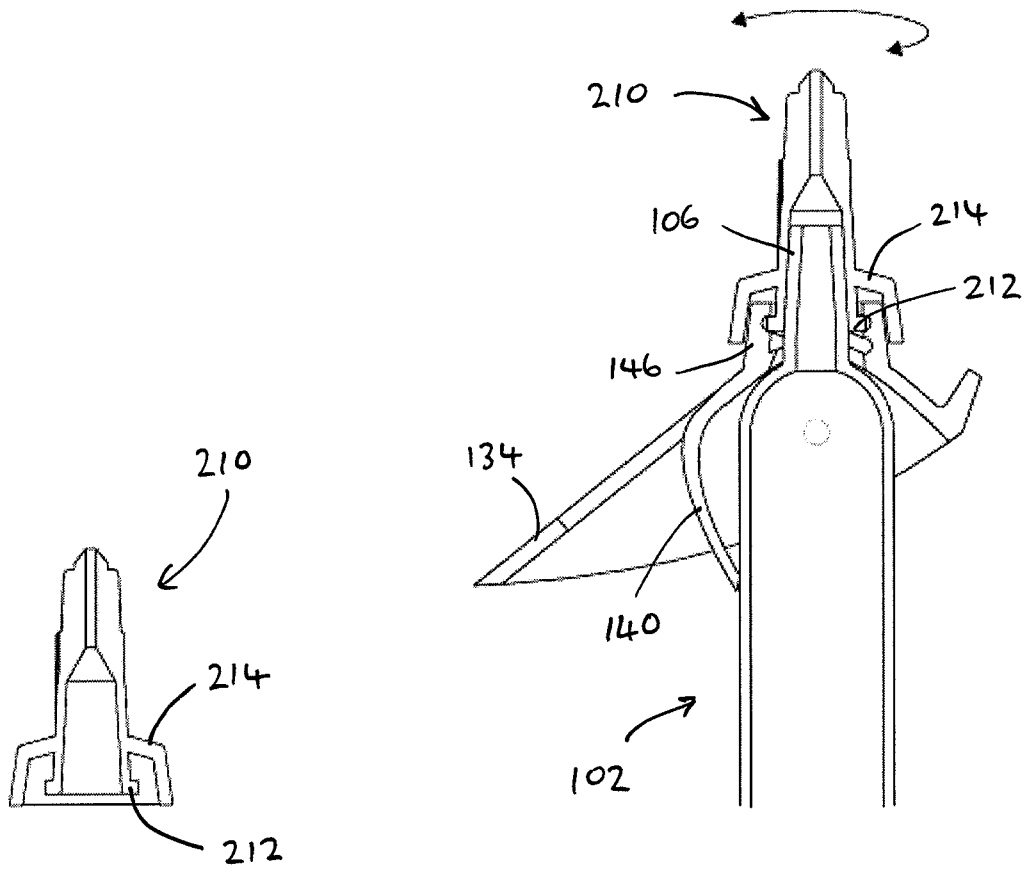


Fig. 12a

Fig. 12b

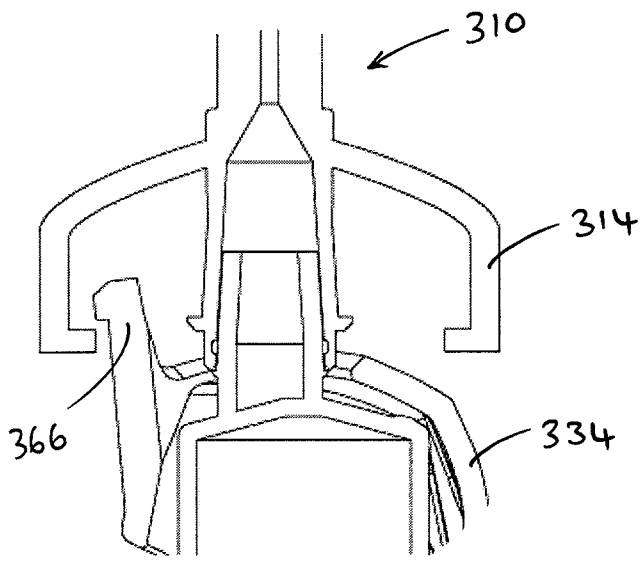


Fig. 13

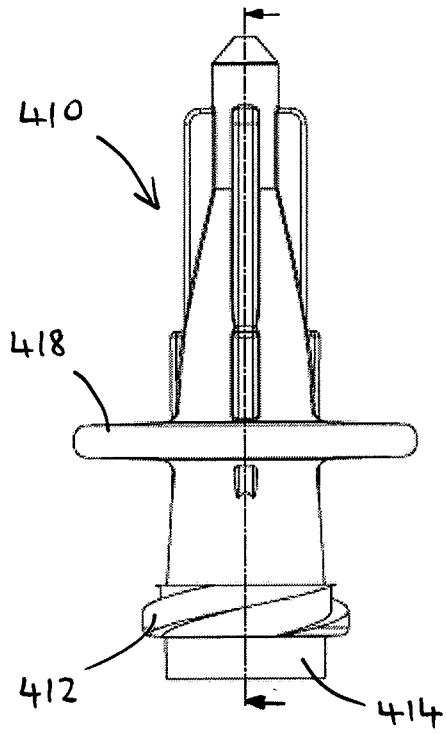


Fig. 14a

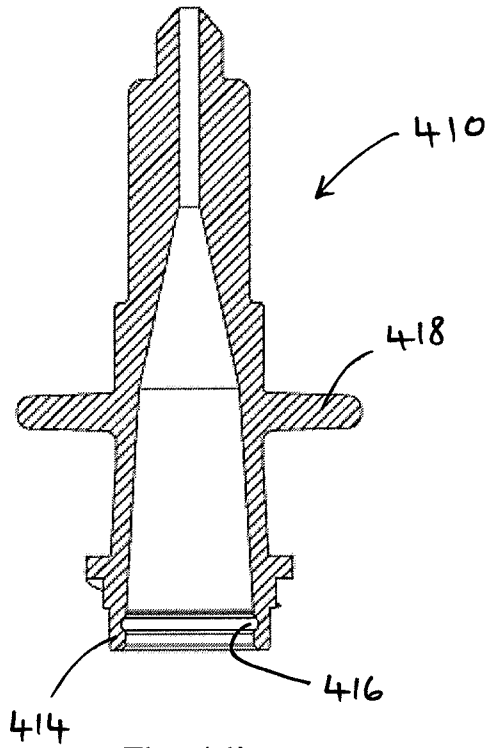


Fig. 14b

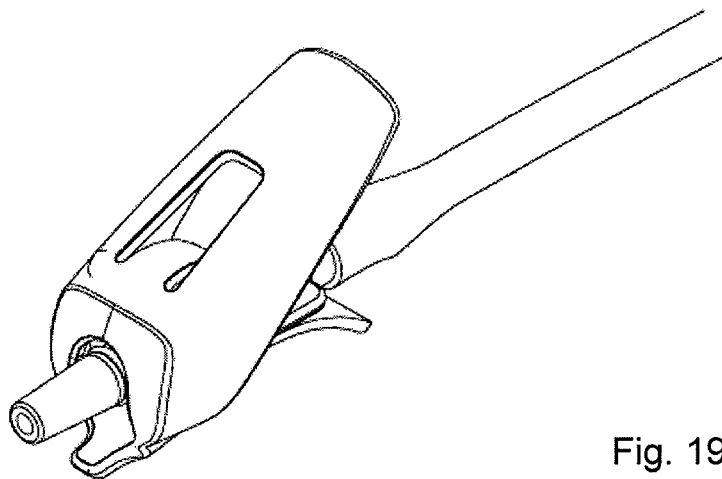


Fig. 19

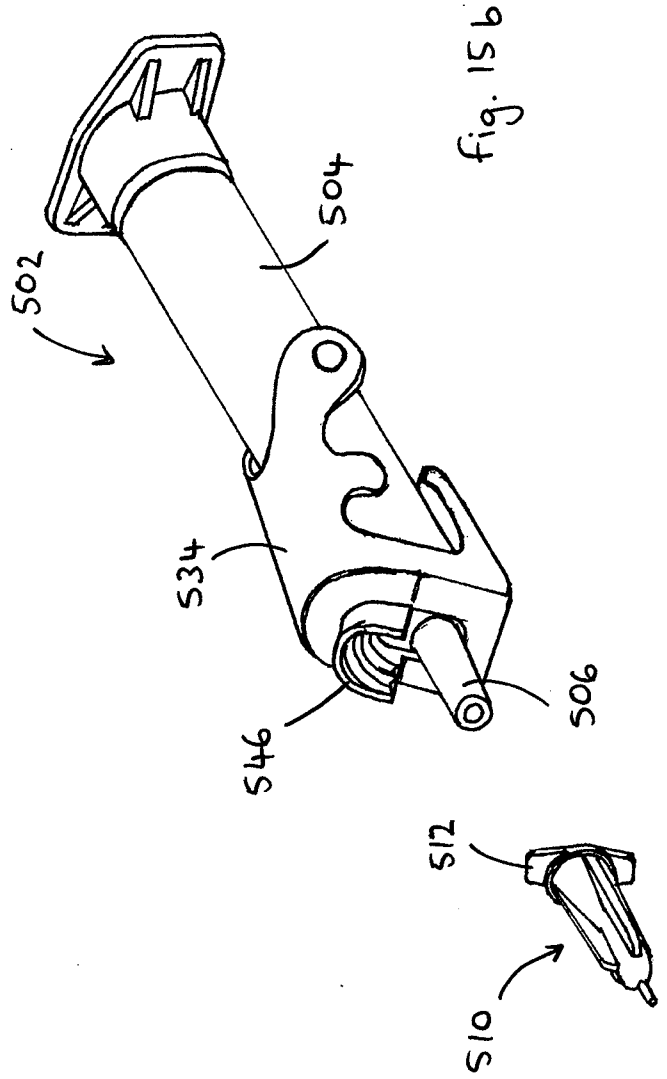
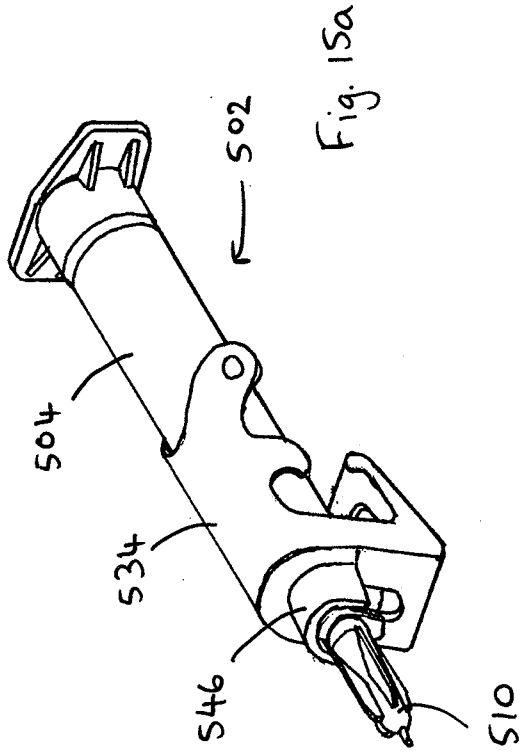


Fig. 16b

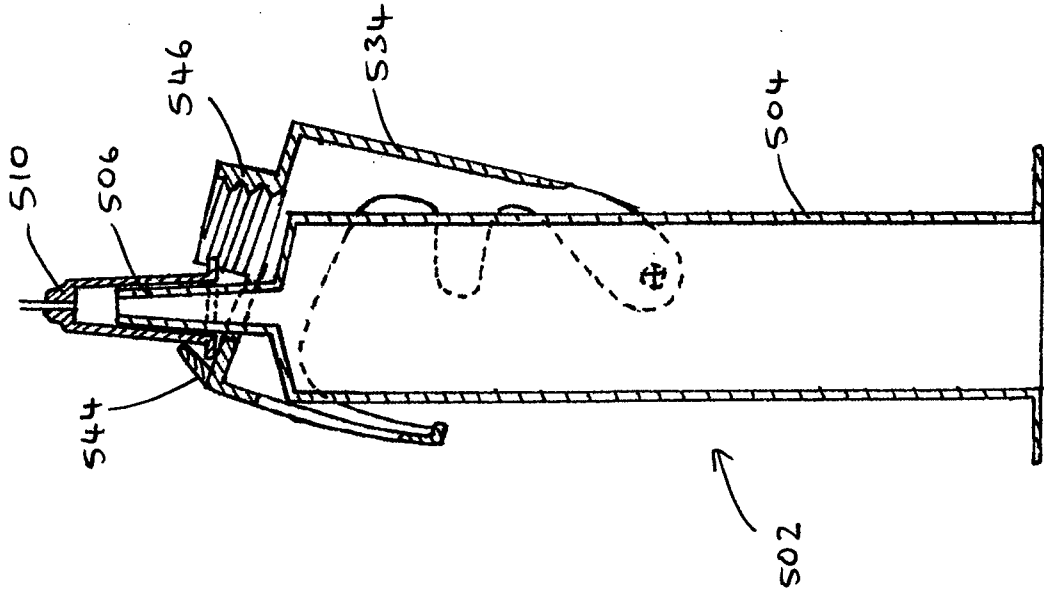


Fig. 16a

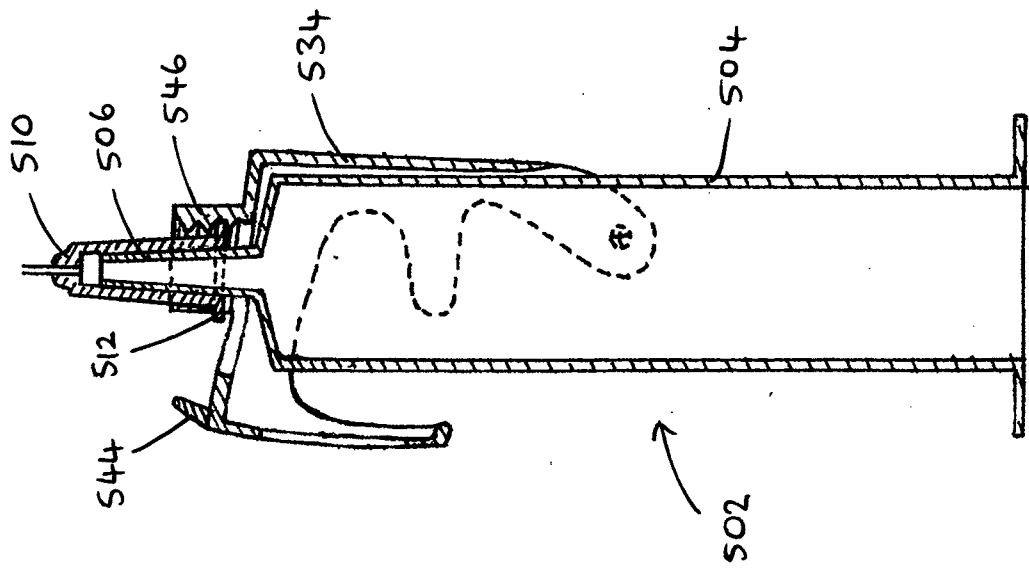


Fig. 17b

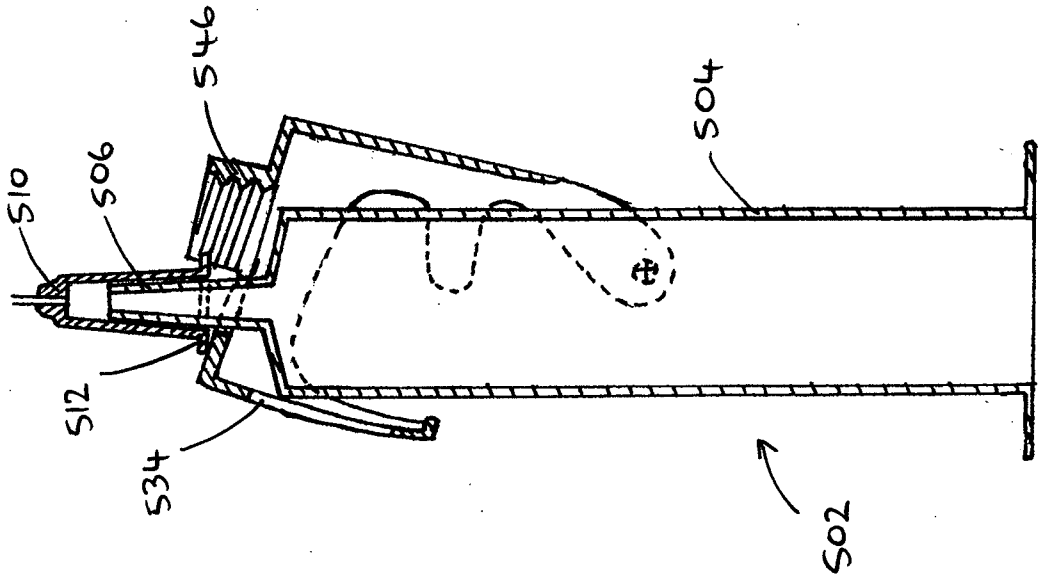


Fig. 17a

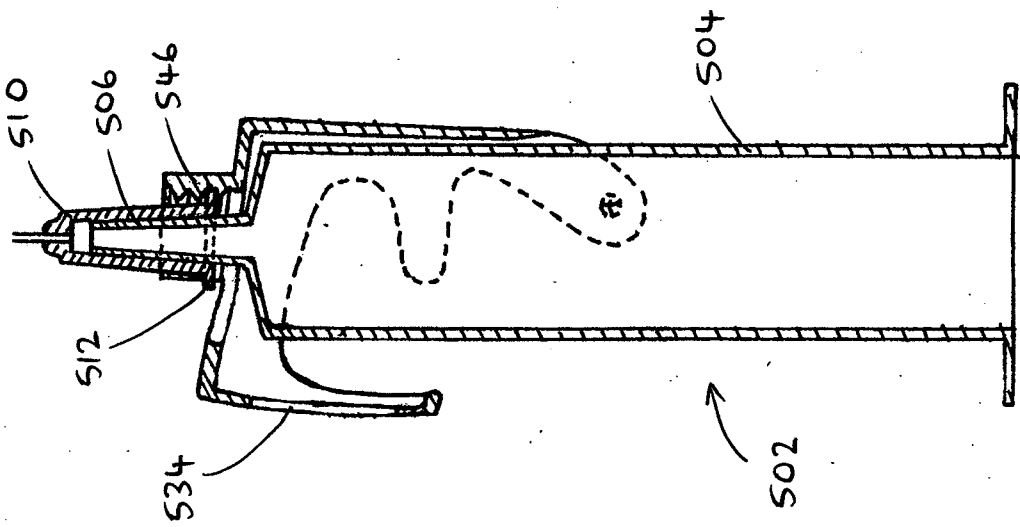


Fig. 18b

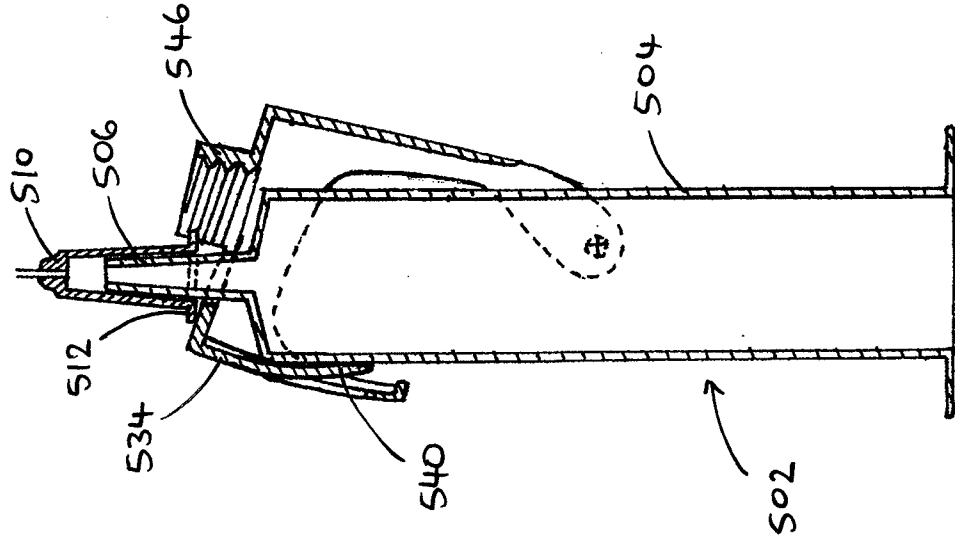
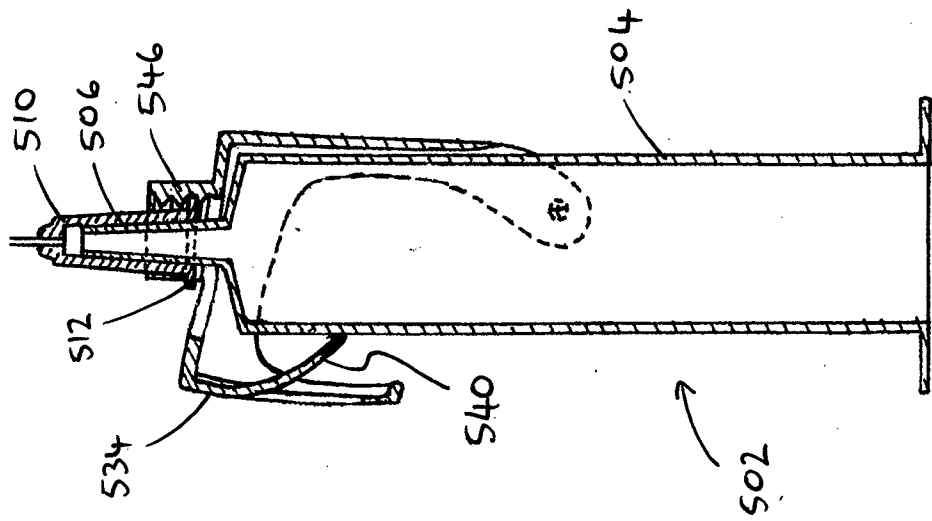


Fig. 18a



INTERNATIONAL SEARCH REPORT

International application No

PCT/EP2014/066436

A. CLASSIFICATION OF SUBJECT MATTER

INV. A61M5/32 A61M5/34 A61M5/31 A61M5/50
 ADD.

According to International Patent Classification (IPC) or to both national classification and IPC

B. FIELDS SEARCHED

Minimum documentation searched (classification system followed by classification symbols)

A61M

Documentation searched other than minimum documentation to the extent that such documents are included in the fields searched

Electronic data base consulted during the international search (name of data base and, where practicable, search terms used)

EPO-Internal, WPI Data

C. DOCUMENTS CONSIDERED TO BE RELEVANT

Category*	Citation of document, with indication, where appropriate, of the relevant passages	Relevant to claim No.
X Y	WO 90/00881 A1 (SPENCER TREESA A [US]) 8 February 1990 (1990-02-08) figures 20-23	1,6,16, 21,43 2-5, 7-15, 17-20, 22-42, 44-49
Y	----- US 4 490 142 A (SILVERN RUBIN D [US]) 25 December 1984 (1984-12-25) figure 2	1-49
Y	----- WO 90/11789 A1 (ANTHOGRYR SOC [FR]) 18 October 1990 (1990-10-18) figure 6	1-49
	----- -/--	

Further documents are listed in the continuation of Box C.

See patent family annex.

* Special categories of cited documents :

"A" document defining the general state of the art which is not considered to be of particular relevance

"E" earlier application or patent but published on or after the international filing date

"L" document which may throw doubts on priority claim(s) or which is cited to establish the publication date of another citation or other special reason (as specified)

"O" document referring to an oral disclosure, use, exhibition or other means

"P" document published prior to the international filing date but later than the priority date claimed

"T" later document published after the international filing date or priority date and not in conflict with the application but cited to understand the principle or theory underlying the invention

"X" document of particular relevance; the claimed invention cannot be considered novel or cannot be considered to involve an inventive step when the document is taken alone

"Y" document of particular relevance; the claimed invention cannot be considered to involve an inventive step when the document is combined with one or more other such documents, such combination being obvious to a person skilled in the art

"&" document member of the same patent family

Date of the actual completion of the international search

12 September 2014

Date of mailing of the international search report

22/09/2014

Name and mailing address of the ISA/

European Patent Office, P.B. 5818 Patentlaan 2
 NL - 2280 HV Rijswijk
 Tel. (+31-70) 340-2040,
 Fax: (+31-70) 340-3016

Authorized officer

Ehrsam, Fernand

INTERNATIONAL SEARCH REPORT

International application No PCT/EP2014/066436

C(Continuation). DOCUMENTS CONSIDERED TO BE RELEVANT		
Category*	Citation of document, with indication, where appropriate, of the relevant passages	Relevant to claim No.
X,P	WO 2013/164358 A1 (CONCEPTOMED AS [NO]) 7 November 2013 (2013-11-07) figures -----	1-49
X,P	WO 2014/020090 A1 (CONCEPTOMED AS [NO]) 6 February 2014 (2014-02-06) figures 18, 22d-22d -----	1-49
Y	US 5 755 673 A (KINSEY PHILLIP SPENCER [US]) 26 May 1998 (1998-05-26) figure 3 -----	1-49

INTERNATIONAL SEARCH REPORT

International application No.
PCT/EP2014/066436

Box No. II Observations where certain claims were found unsearchable (Continuation of item 2 of first sheet)

This international search report has not been established in respect of certain claims under Article 17(2)(a) for the following reasons:

1. Claims Nos.:
because they relate to subject matter not required to be searched by this Authority, namely:

2. Claims Nos.:
because they relate to parts of the international application that do not comply with the prescribed requirements to such an extent that no meaningful international search can be carried out, specifically:

3. Claims Nos.:
because they are dependent claims and are not drafted in accordance with the second and third sentences of Rule 6.4(a).

Box No. III Observations where unity of invention is lacking (Continuation of item 3 of first sheet)

This International Searching Authority found multiple inventions in this international application, as follows:

see additional sheet

1. As all required additional search fees were timely paid by the applicant, this international search report covers all searchable claims.
2. As all searchable claims could be searched without effort justifying an additional fees, this Authority did not invite payment of additional fees.
3. As only some of the required additional search fees were timely paid by the applicant, this international search report covers only those claims for which fees were paid, specifically claims Nos.:

4. No required additional search fees were timely paid by the applicant. Consequently, this international search report is restricted to the invention first mentioned in the claims; it is covered by claims Nos.:

Remark on Protest

- The additional search fees were accompanied by the applicant's protest and, where applicable, the payment of a protest fee.
- The additional search fees were accompanied by the applicant's protest but the applicable protest fee was not paid within the time limit specified in the invitation.
- No protest accompanied the payment of additional search fees.

FURTHER INFORMATION CONTINUED FROM PCT/ISA/ 210

This International Searching Authority found multiple (groups of) inventions in this international application, as follows:

1. claims: 1-49

A fluid transfer device

1.1. claims: 43-49

A hub for directing fluid from a fluid transfer device

INTERNATIONAL SEARCH REPORT

Information on patent family members

International application No

PCT/EP2014/066436

Patent document cited in search report	Publication date	Patent family member(s)	Publication date
WO 9000881	A1	08-02-1990	AT 124226 T 15-07-1995
			AU 615400 B2 26-09-1991
			AU 4040089 A 19-02-1990
			BR 8907570 A 18-06-1991
			CA 1310241 C 17-11-1992
			DE 68923284 D1 03-08-1995
			DE 68923284 T2 08-02-1996
			EP 0430978 A1 12-06-1991
			ES 2015739 A6 01-09-1990
			IE 61468 B1 02-11-1994
			JP 2740318 B2 15-04-1998
			JP H04500016 A 09-01-1992
			US 4907600 A 13-03-1990
			WO 9000881 A1 08-02-1990

US 4490142	A	25-12-1984	NONE

WO 9011789	A1	18-10-1990	FR 2645444 A1 12-10-1990
			WO 9011789 A1 18-10-1990

WO 2013164358	A1	07-11-2013	GB 2507888 A 14-05-2014
			WO 2013164358 A1 07-11-2013

WO 2014020090	A1	06-02-2014	NONE

US 5755673	A	26-05-1998	AU 721815 B2 13-07-2000
			AU 1284097 A 28-07-1997
			CA 2241631 A1 10-07-1997
			EP 0959770 A1 01-12-1999
			US RE37908 E1 19-11-2002
			US 5755673 A 26-05-1998
			WO 9724067 A1 10-07-1997
			ZA 9610754 A 30-06-1997
