



US00D692145S

(12) **United States Design Patent**
Al-Ali et al.

(10) **Patent No.:** **US D692,145 S**

(45) **Date of Patent:** **** Oct. 22, 2013**

(54) **MEDICAL PROXIMITY DETECTION TOKEN**

(71) Applicant: **Masimo Corporation**, Irvine, CA (US)

(72) Inventors: **Ammar Al-Ali**, San Juan Capistrano, CA (US); **Chad DeJong**, Los Angeles, CA (US)

(73) Assignee: **Masimo Corporation**, Irvine, CA (US)

(**) Term: **14 Years**

(21) Appl. No.: **29/432,824**

(22) Filed: **Sep. 20, 2012**

(51) **LOC (9) Cl.** **24-01**

(52) **U.S. Cl.**
USPC **D24/186**

(58) **Field of Classification Search**

USPC D24/107, 158, 164, 165, 169, 170,
D24/186-187, 231, 137-138; 600/300, 301,
600/368, 372, 481, 529, 544, 554, 561;
D10/81, 104.1; D14/137, 191, 189;
D3/218

See application file for complete search history.

(56) **References Cited**

U.S. PATENT DOCUMENTS

D348,463 S * 7/1994 Scheid et al. D14/191
D375,792 S * 11/1996 Hillman et al. D24/186
D390,666 S * 2/1998 Lagerlof D24/186
D392,639 S * 3/1998 Tamura et al. D14/191
D402,805 S * 12/1998 Nagano et al. D3/218

D409,195 S * 5/1999 Halstead et al. D14/191
D414,870 S * 10/1999 Saltzstein et al. D24/186
D423,504 S * 4/2000 Nishii et al. D14/191
D450,679 S * 11/2001 Soh D14/191
D452,012 S * 12/2001 Phillips D24/186
D539,265 S * 3/2007 Tompkins et al. D14/191
D554,616 S * 11/2007 Pierce D14/191
D603,836 S * 11/2009 Hibbard et al. D14/191
D606,659 S * 12/2009 Kiani et al. D24/186
D665,504 S * 8/2012 Arimitsu D24/186
D676,136 S * 2/2013 Arimitsu D24/186

* cited by examiner

Primary Examiner — T. Chase Nelson

Assistant Examiner — Mark Cavanna

(74) *Attorney, Agent, or Firm* — Knobbe, Martens, Olson and Bear, LLP

(57) **CLAIM**

The ornamental design for a medical proximity detection token, as shown and described.

DESCRIPTION

FIG. 1 is a perspective view of the top of a medical proximity detection token showing my/our new design.

FIG. 2 is a perspective view of the bottom thereof.

FIG. 3 is a front elevation view thereof.

FIG. 4 is a rear elevation view thereof.

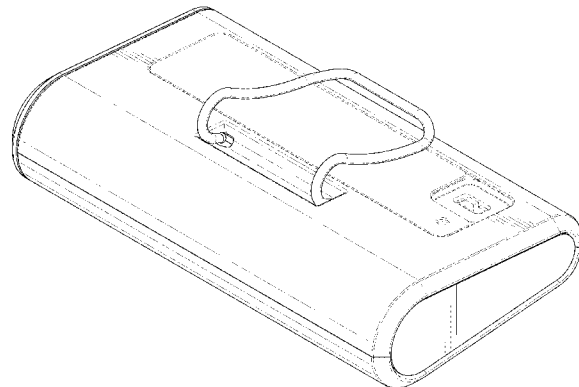
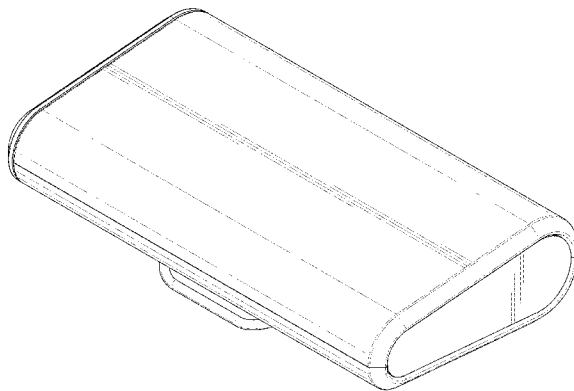
FIG. 5 is a side elevation view thereof.

FIG. 6 is a top plan view thereof; and,

FIG. 7 is a bottom plan view thereof.

The broken lines depict environmental features of the medical proximity detection token, and form no part of the claimed design.

1 Claim, 7 Drawing Sheets



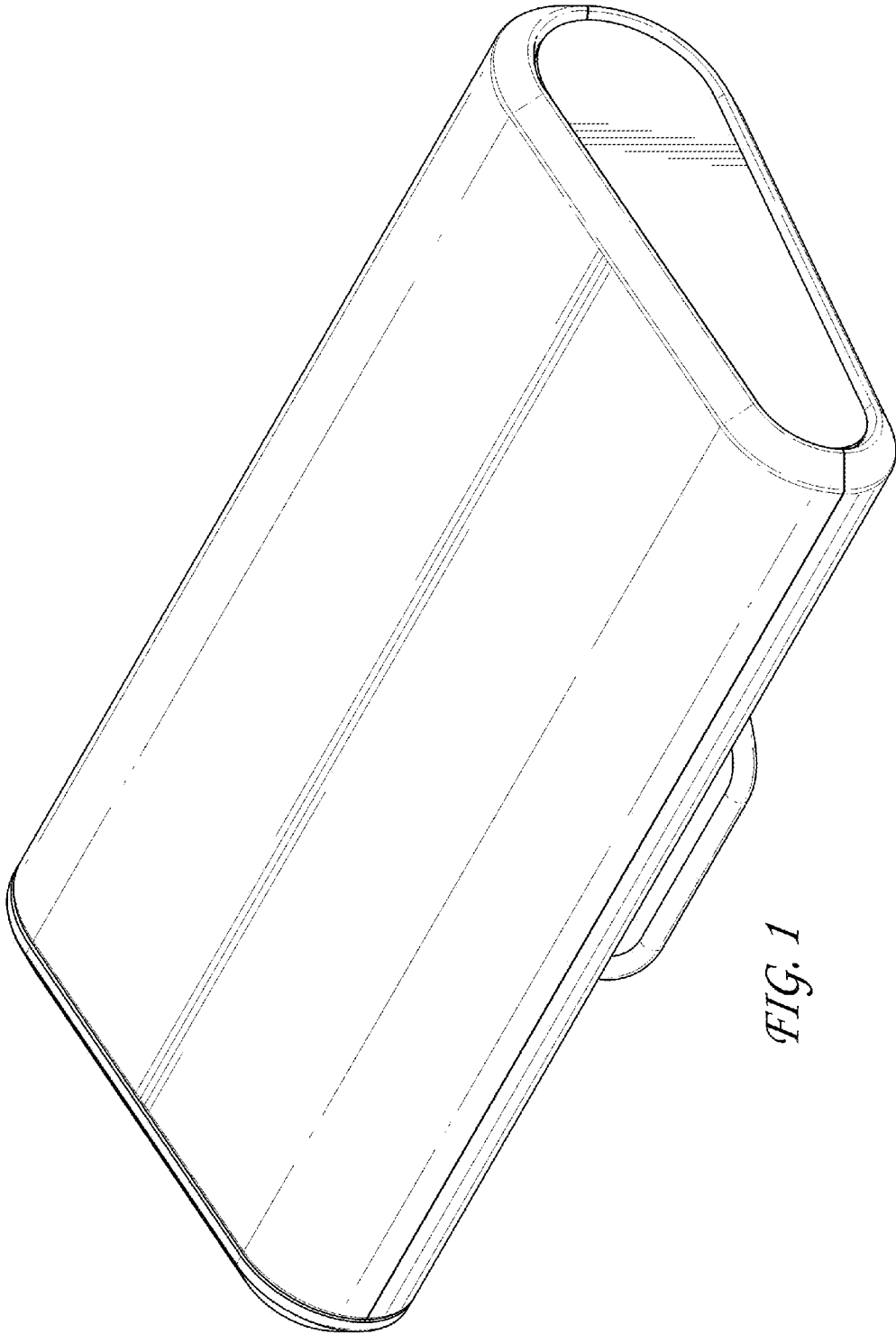


FIG. 1

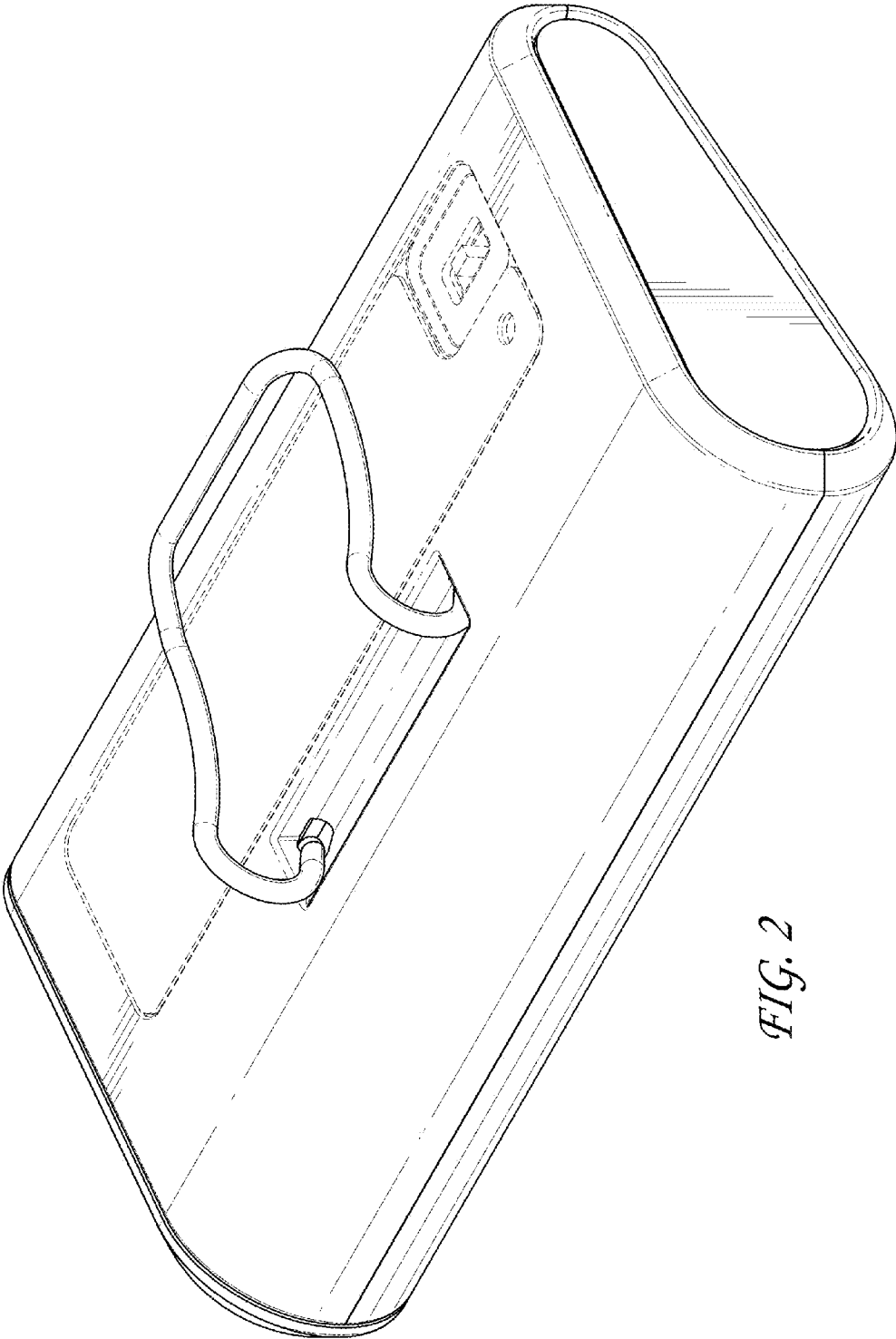


FIG. 2

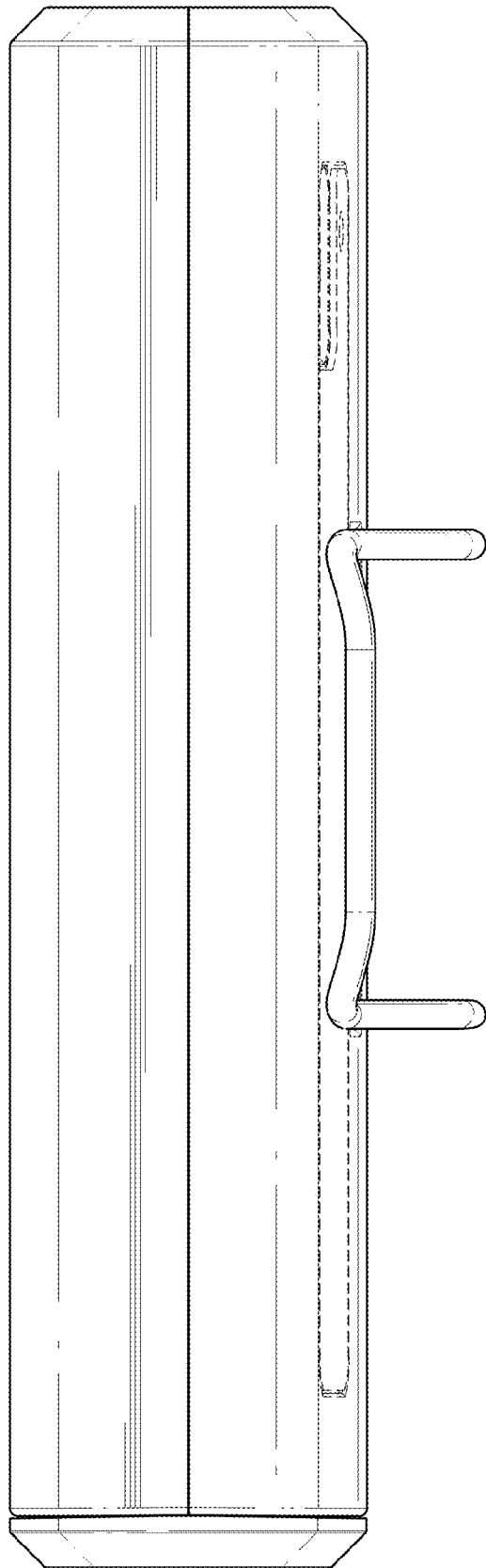


FIG. 3

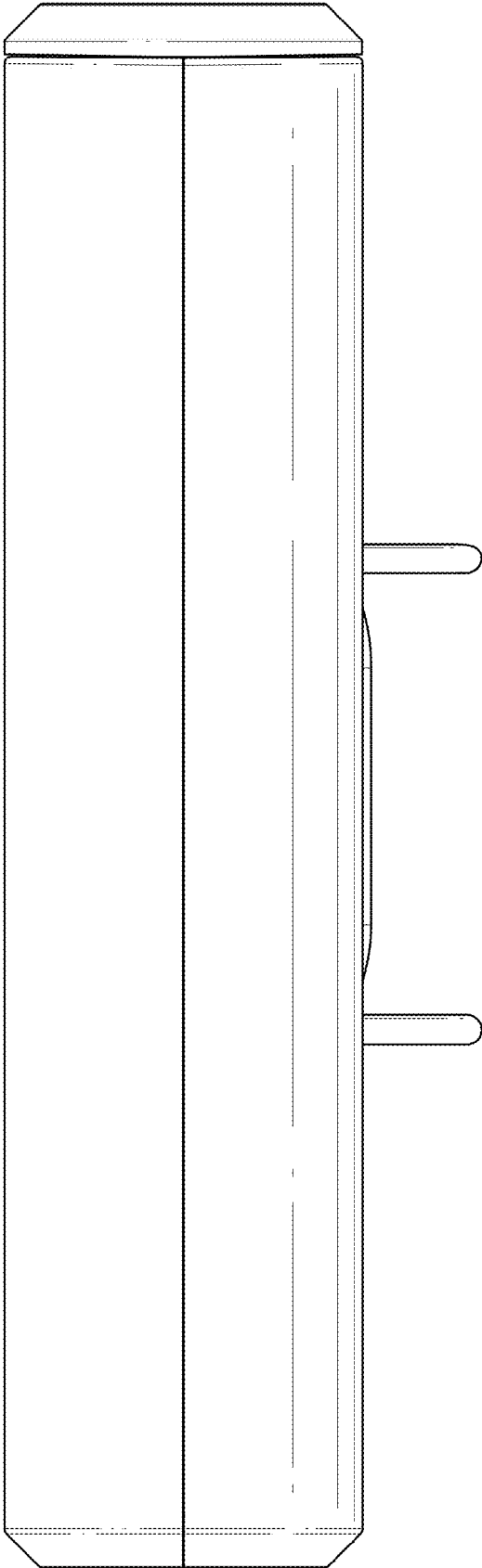


FIG. 4

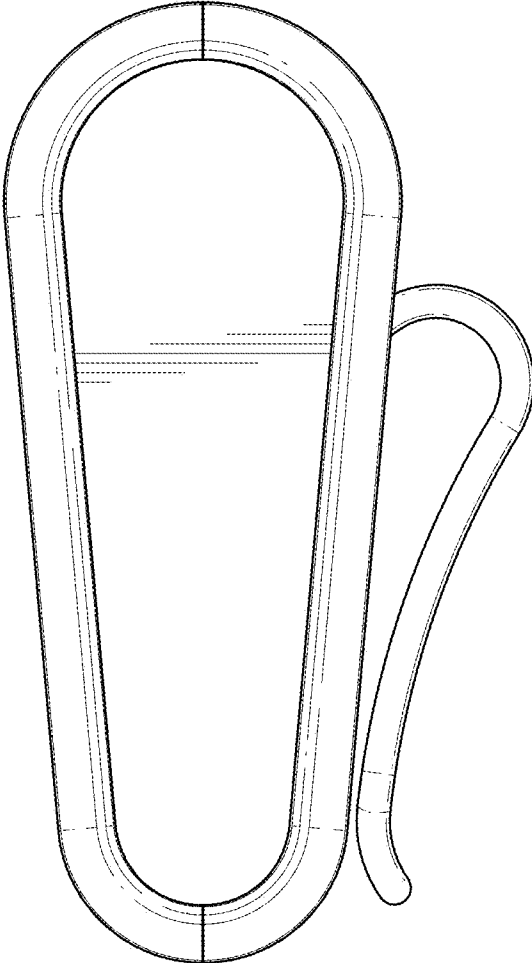


FIG. 5

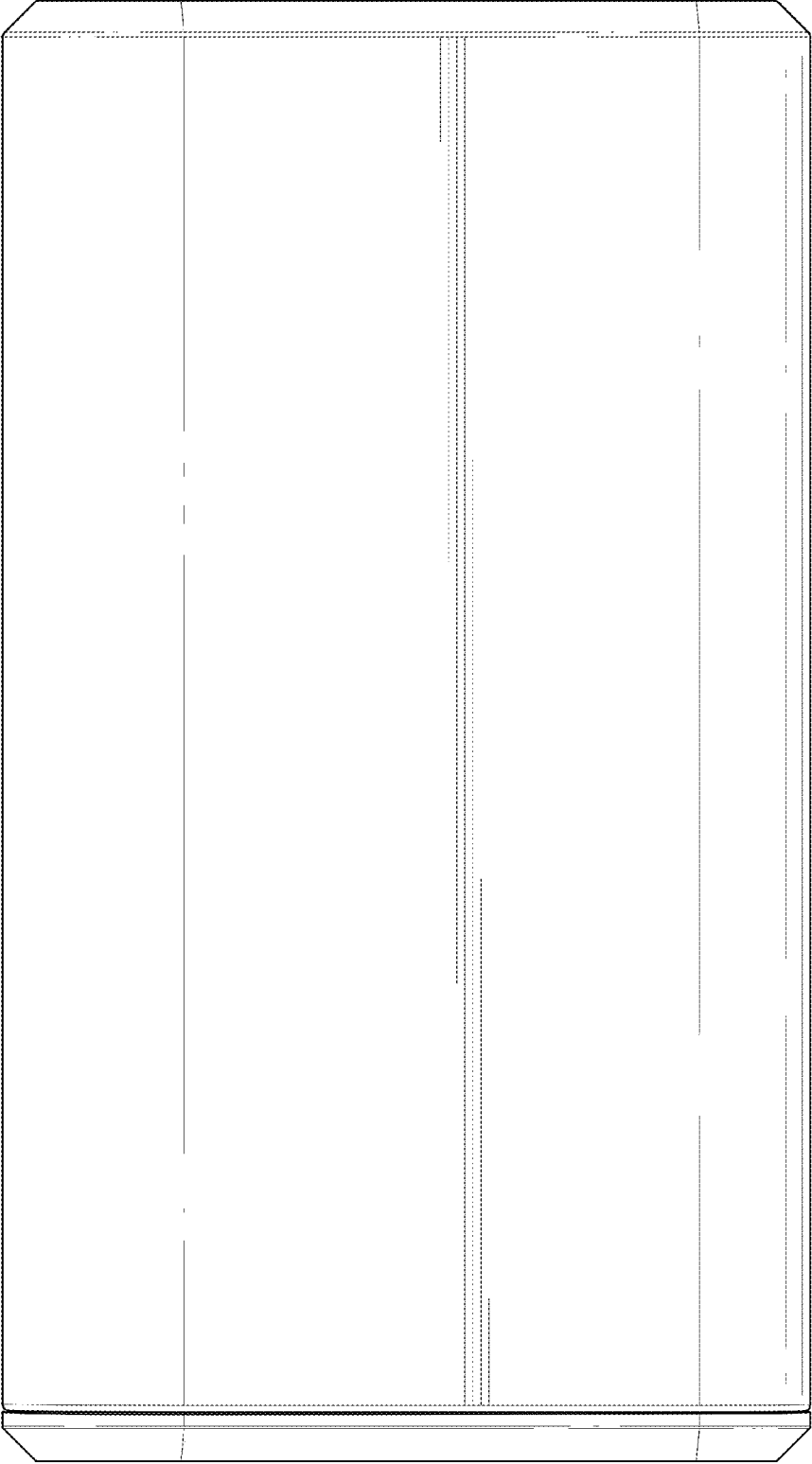


FIG. 6

7/7

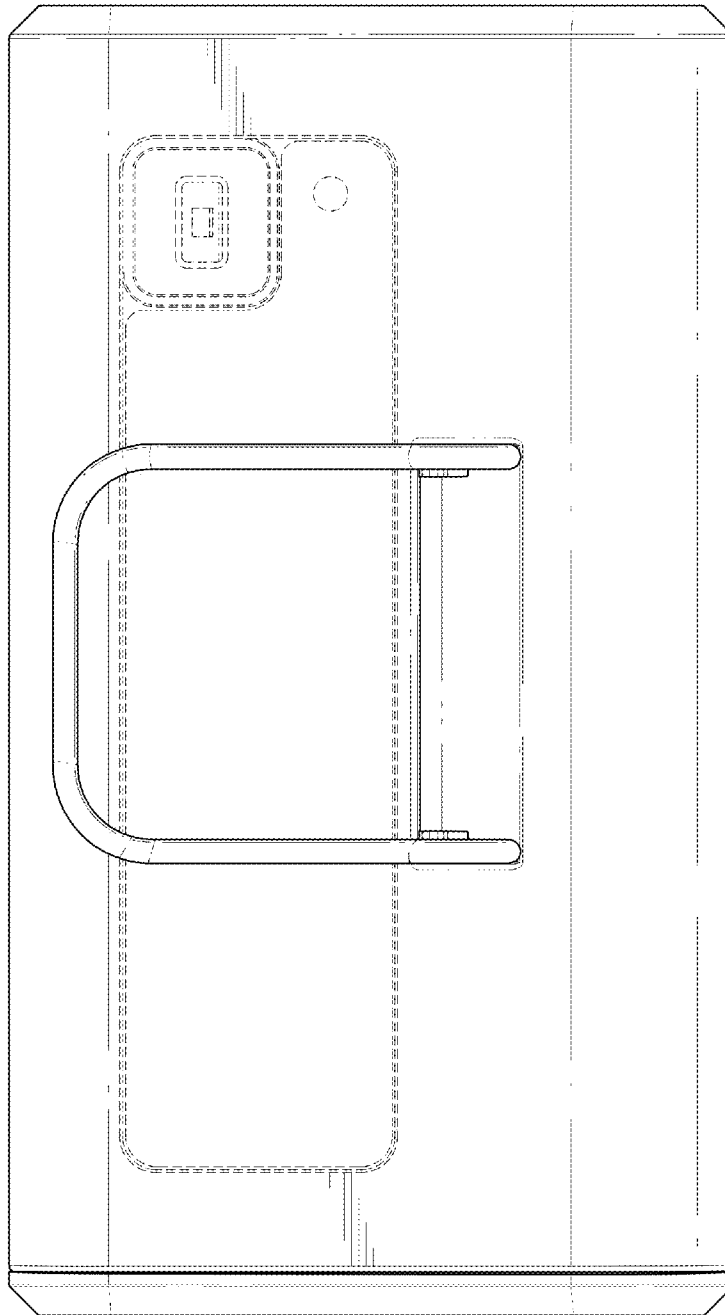


FIG. 7