



US00D808124S

(12) **United States Design Patent**
Therrien

(10) **Patent No.:** **US D808,124 S**

(45) **Date of Patent:** **** Jan. 23, 2018**

(54) **JACKET**

(71) Applicant: **Lakeland Industries, Inc.**,
Ronkonkoma, NY (US)

(72) Inventor: **John Therrien**, Epsom, NH (US)

(73) Assignee: **Lakeland Industries, Inc.**,
Ronkonkoma, NY (US)

(**) Term: **15 Years**

(21) Appl. No.: **29/533,141**

(22) Filed: **Jul. 14, 2015**

(51) **LOC (11) Cl.** **02-02**

(52) **U.S. Cl.**
USPC **D2/828**

(58) **Field of Classification Search**
USPC D2/828-831, 833-834, 839-840; 2/69.5,
2/70, 84-87, 93-97, 102, 108, 202
CPC .. A41D 13/00; A41D 13/001; A41D 13/0012;
A41D 13/08; A41D 27/10; A41D 27/04;
A41D 27/20; A41D 15/04; A41D 15/007;
A42B 1/048; A41F 5/00
See application file for complete search history.

(56) **References Cited**

U.S. PATENT DOCUMENTS

- 5,640,718 A * 6/1997 Aldridge A41D 27/04
2/458
- 5,685,015 A * 11/1997 Aldridge A62B 17/003
2/81
- D531,783 S * 11/2006 Collier D2/828

- D564,182 S * 3/2008 Wiens D2/840
- D679,072 S * 4/2013 Abbevik D2/828
- D687,619 S * 8/2013 Savage D2/828
- D698,524 S * 2/2014 Roberts D2/839
- D698,525 S * 2/2014 Roberts D2/839
- D703,416 S * 4/2014 Roberts D2/839
- D714,525 S * 10/2014 Payne D2/828
- D742,622 S * 11/2015 Oygarden D2/830
- D746,550 S * 1/2016 Roberts D2/839
- 2004/0055069 A1* 3/2004 Clarke Fayle A41D 3/00
2/93
- 2009/0249529 A1* 10/2009 Rodriguez A41D 3/00
2/97
- 2012/0324612 A1* 12/2012 Howell A41D 27/10
2/2.5

* cited by examiner

Primary Examiner — Eric L Goodman

Assistant Examiner — Amy C Wierenga

(74) *Attorney, Agent, or Firm* — Snell & Wilmer L.L.P.

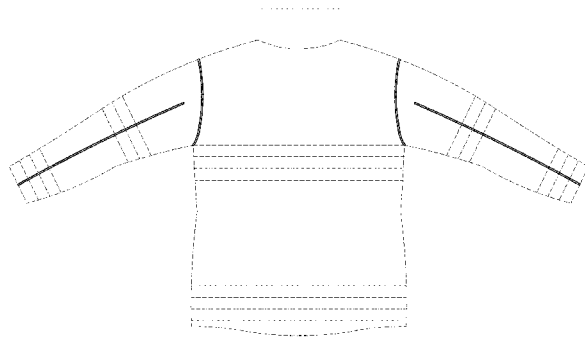
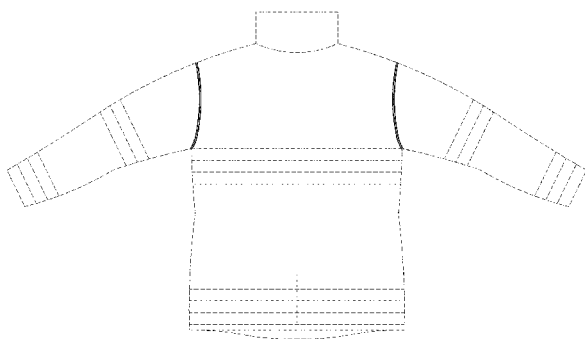
(57) **CLAIM**

An ornamental design for a jacket, as shown and described.

DESCRIPTION

FIG. 1 is a front side perspective view of the jacket showing my new design;
FIG. 2 is a rear side perspective view of FIG. 1;
FIG. 3 is a front view of FIG. 1;
FIG. 4 is a rear view of FIG. 1; and,
FIG. 5 is a side view of FIG. 1.
The broken lines depict portions of the article that form no part of the claim.

1 Claim, 5 Drawing Sheets



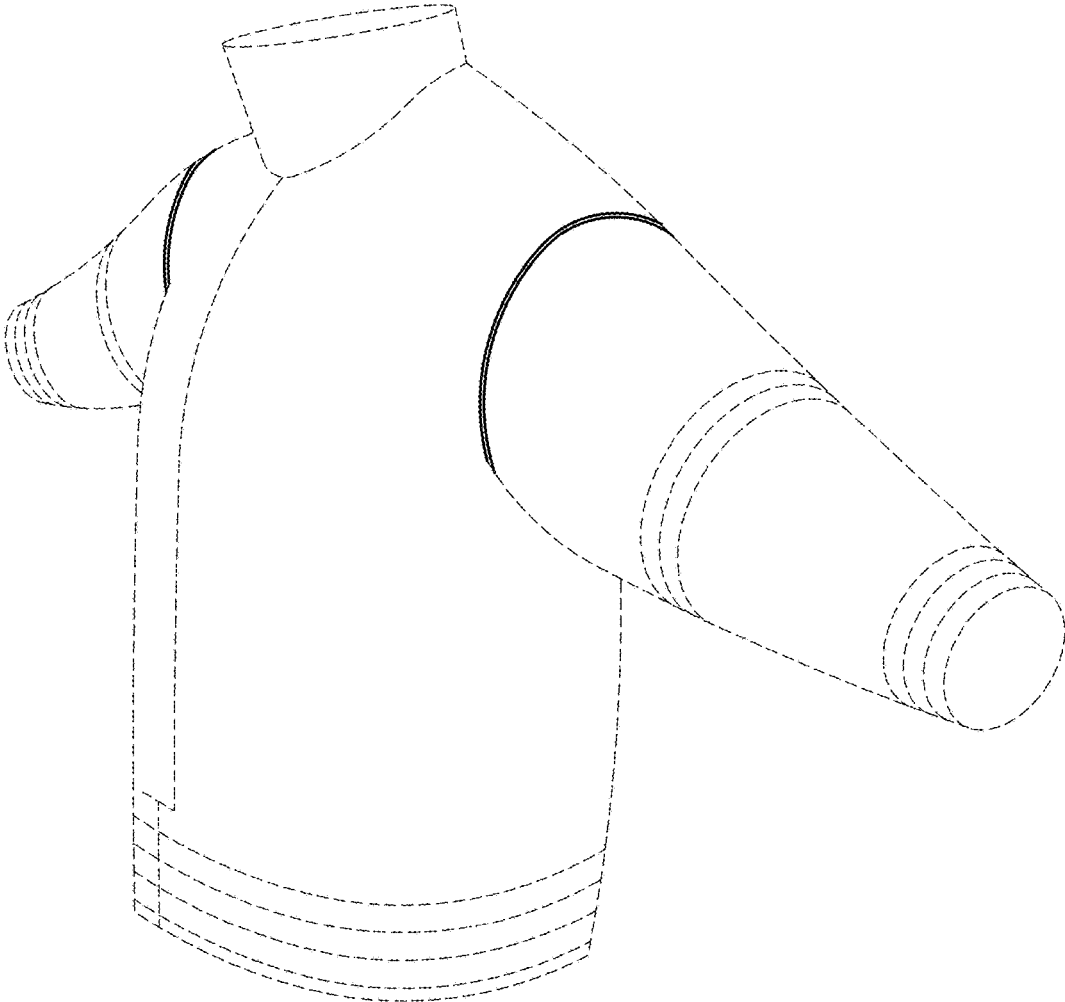


FIG. 1

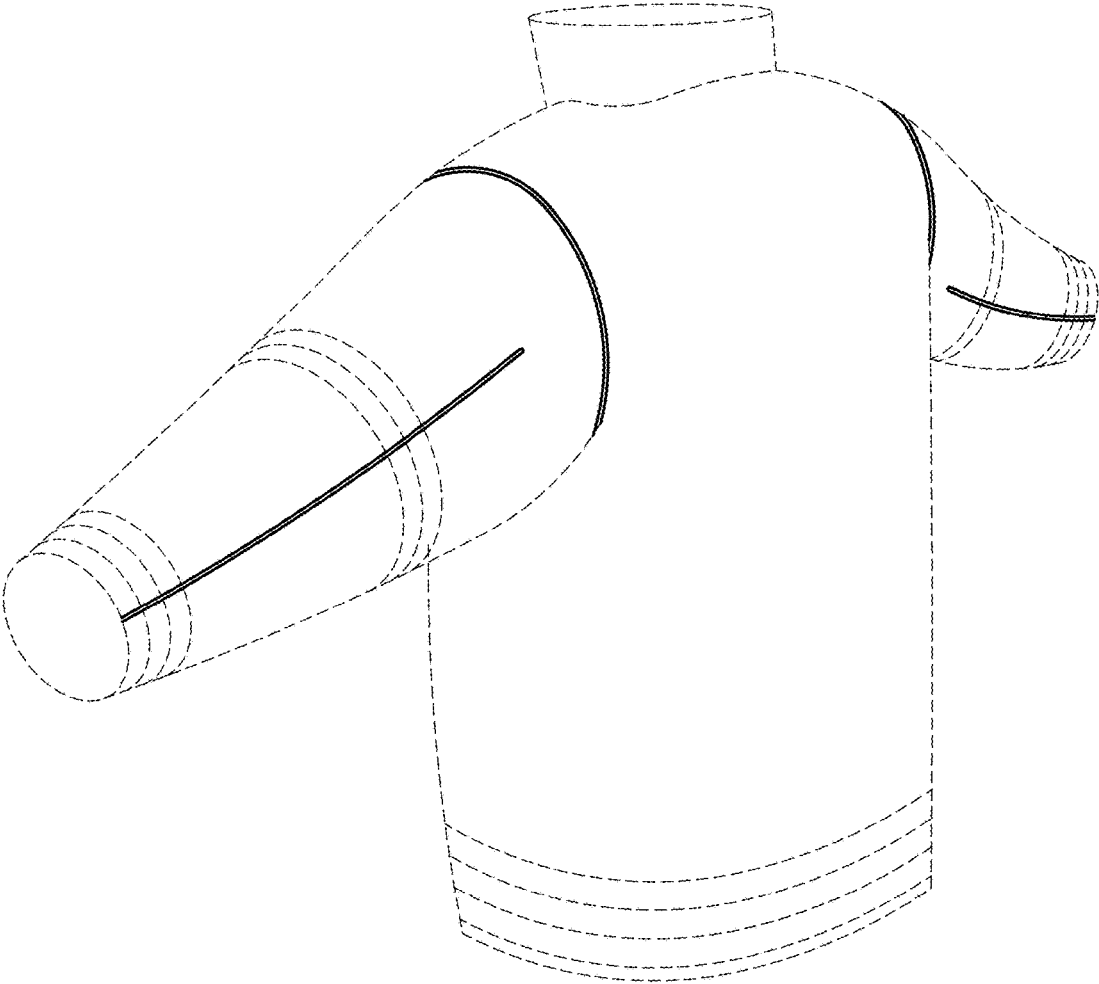


FIG. 2

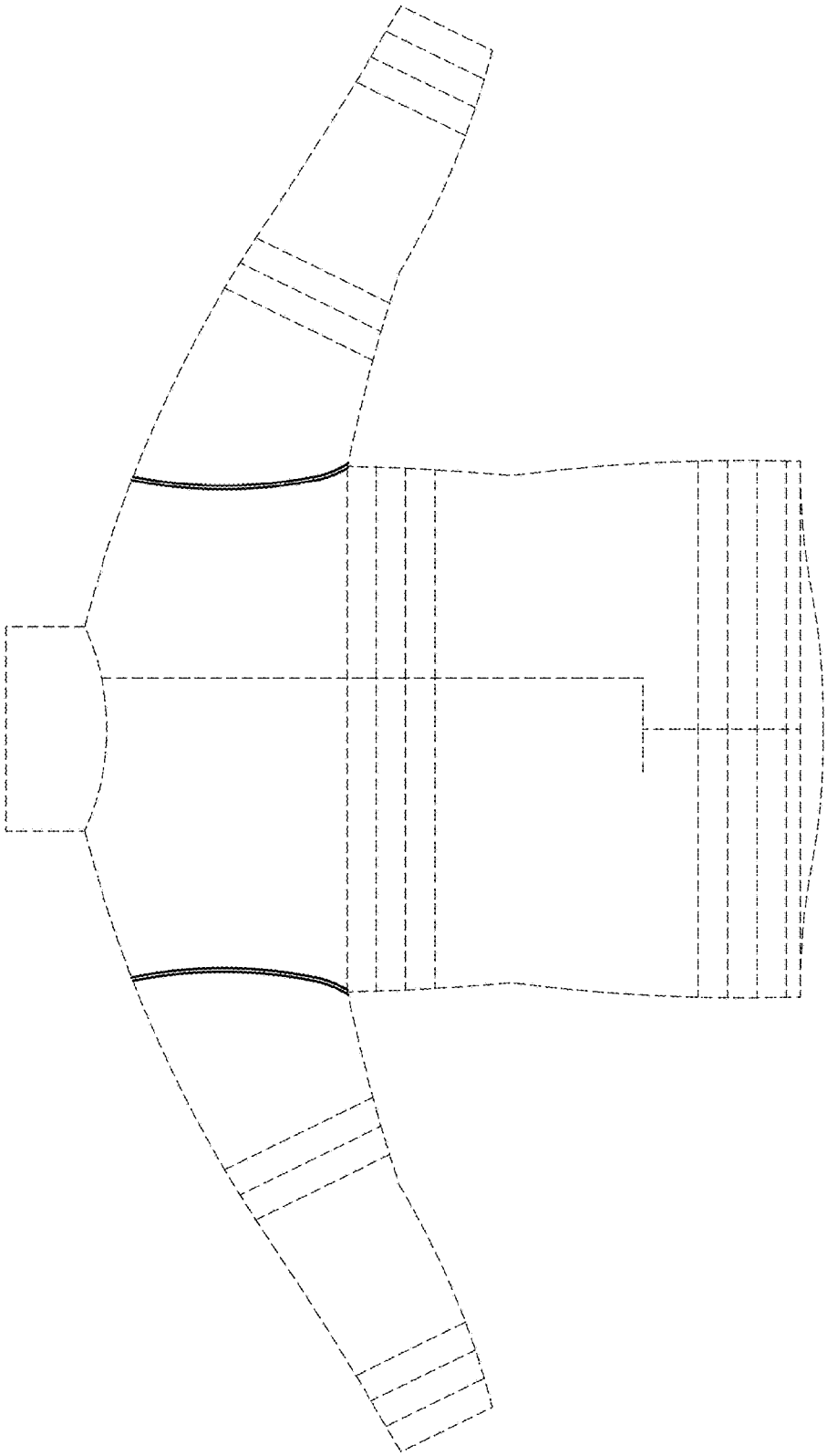


FIG. 3

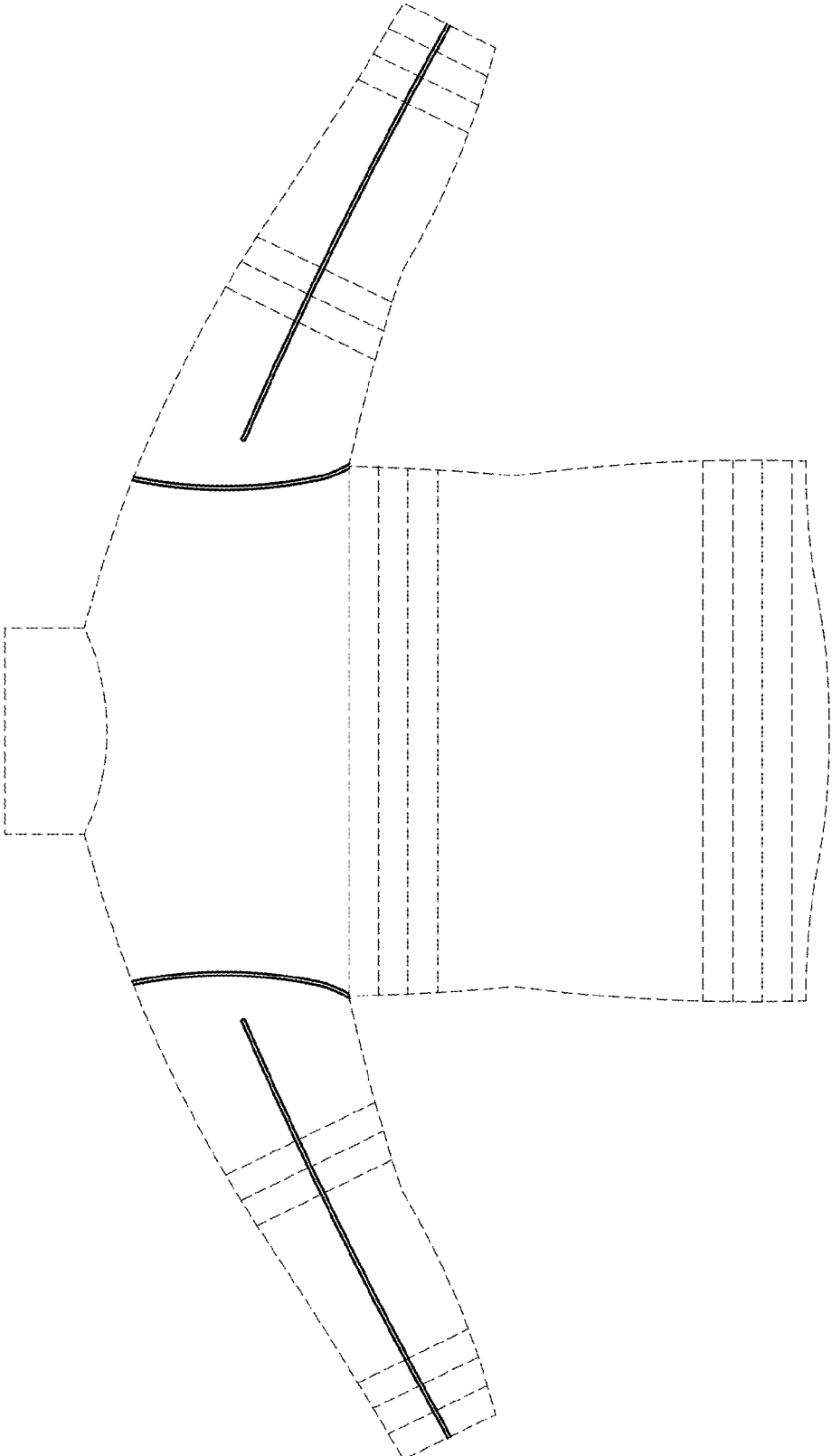


FIG. 4

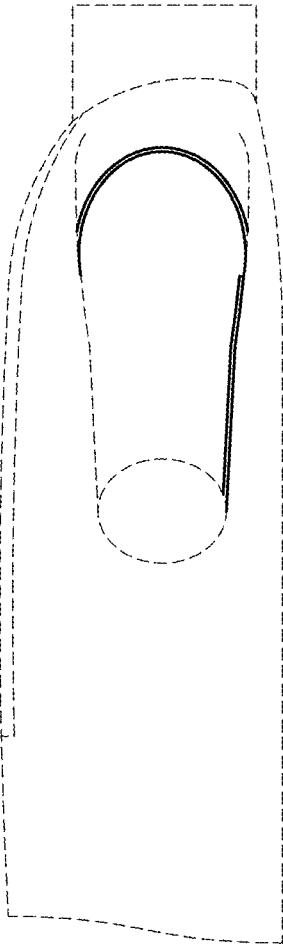


FIG. 5