

(19) World Intellectual Property Organization  
International Bureau



(43) International Publication Date  
21 September 2000 (21.09.2000)

PCT

(10) International Publication Number  
**WO 00/54716 A3**

- (51) International Patent Classification<sup>7</sup>: **A61B 6/04**
- (21) International Application Number: PCT/US00/06505
- (22) International Filing Date: 13 March 2000 (13.03.2000)
- (25) Filing Language: English
- (26) Publication Language: English
- (30) Priority Data:  
60/124,611 16 March 1999 (16.03.1999) US  
60/142,483 6 July 1999 (06.07.1999) US
- (71) Applicant (for all designated States except US):  
**HILL-ROM, INC.** [US/US]; 1096 State Route 46  
East, Batesville, IN 47006-8835 (US).
- (74) Agent: **NIEDNAGEL, Timothy, E.**; Bose McKinney &  
Evans LLP, 2700 First Indiana Plaza, 135 North Pennsyl-  
vania Street, Indianapolis, IN 46204 (US).
- (81) Designated States (national): AE, AL, AM, AT, AU, AZ,  
BA, BB, BG, BR, BY, CA, CH, CN, CR, CU, CZ, DE, DK,  
DM, EE, ES, FI, GB, GD, GE, GH, GM, HR, HU, ID, IL,  
IN, IS, JP, KE, KG, KP, KR, KZ, LC, LK, LR, LS, LT, LU,  
LV, MA, MD, MG, MK, MN, MW, MX, NO, NZ, PL, PT,  
RO, RU, SD, SE, SG, SI, SK, SL, TJ, TM, TR, TT, TZ, UA,  
UG, US, UZ, VN, YU, ZA, ZW.
- (84) Designated States (regional): ARIPO patent (GH, GM,  
KE, LS, MW, SD, SL, SZ, TZ, UG, ZW), Eurasian patent  
(AM, AZ, BY, KG, KZ, MD, RU, TJ, TM), European patent  
(AT, BE, CH, CY, DE, DK, ES, FI, FR, GB, GR, IE, IT, LU,  
MC, NL, PT, SE), OAPI patent (BF, BJ, CF, CG, CI, CM,  
GA, GN, GW, ML, MR, NE, SN, TD, TG).

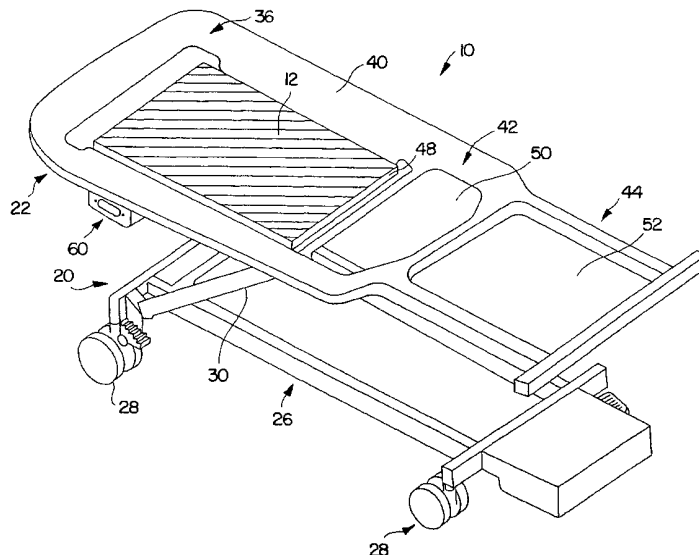
- (72) Inventor; and  
(75) Inventor/Applicant (for US only): **BROOKS, Jack, J.**  
[US/US]; 116 West Huron Avenue, Folly Beach, SC 29439  
(US).

**Published:**

- with international search report
- before the expiration of the time limit for amending the claims and to be republished in the event of receipt of amendments

[Continued on next page]

(54) Title: PATIENT SUPPORT WITH DIGITAL X-RAY CASSETTE



(57) Abstract: A patient support (10) includes a base portion (20) and a patient-support portion (22) positioned above base portion (20). The patient-support portion (22) includes a deck (36) having a back section (40), a seat section (42), and a leg section (44). The back section (40) is formed to include a space (48) for receiving a digital x-ray cassette (12). The seat section (42) and leg section (44) are also each formed to include spaces (50, 52) for receiving a digital x-ray cassette (12). A suitable bracket, clamp, or fastener may be used to secure the digital x-ray cassette (12) to the deck (36). The digital x-ray cassette (12) is mounted in one of the three receiving spaces (40, 50, 52).

WO 00/54716 A3



**(88) Date of publication of the international search report:**  
11 April 2002

*For two-letter codes and other abbreviations, refer to the "Guidance Notes on Codes and Abbreviations" appearing at the beginning of each regular issue of the PCT Gazette.*

INTERNATIONAL SEARCH REPORT

International Application No  
PCT/US 00/06505

<b>A. CLASSIFICATION OF SUBJECT MATTER</b> IPC 7 A61B6/04		
According to International Patent Classification (IPC) or to both national classification and IPC		
<b>B. FIELDS SEARCHED</b>		
Minimum documentation searched (classification system followed by classification symbols) IPC 7 A61B A61G		
Documentation searched other than minimum documentation to the extent that such documents are included in the fields searched		
Electronic data base consulted during the international search (name of data base and, where practical, search terms used) EPO-Internal		
<b>C. DOCUMENTS CONSIDERED TO BE RELEVANT</b>		
Category *	Citation of document, with indication, where appropriate, of the relevant passages	Relevant to claim No.
X A	DE 196 28 247 A (SIEMENS AG) 25 September 1997 (1997-09-25) figures	1, 17, 29  4, 7, 8, 14, 16, 19-22, 26, 28, 30-32
X A	DE 196 27 659 C (SIEMENS AG) 8 January 1998 (1998-01-08) the whole document	1, 17  8-10, 18, 19, 22, 29
--- -/---		
<input checked="" type="checkbox"/> Further documents are listed in the continuation of box C.		
<input checked="" type="checkbox"/> Patent family members are listed in annex.		
* Special categories of cited documents :		
*A* document defining the general state of the art which is not considered to be of particular relevance *E* earlier document but published on or after the international filing date *L* document which may throw doubts on priority claim(s) or which is cited to establish the publication date of another citation or other special reason (as specified) *O* document referring to an oral disclosure, use, exhibition or other means *P* document published prior to the international filing date but later than the priority date claimed *T* later document published after the international filing date or priority date and not in conflict with the application but cited to understand the principle or theory underlying the invention *X* document of particular relevance; the claimed invention cannot be considered novel or cannot be considered to involve an inventive step when the document is taken alone *Y* document of particular relevance; the claimed invention cannot be considered to involve an inventive step when the document is combined with one or more other such documents, such combination being obvious to a person skilled in the art. *&* document member of the same patent family		
Date of the actual completion of the international search  12 February 2002		Date of mailing of the international search report  20/02/2002
Name and mailing address of the ISA European Patent Office, P.B. 5818 Patentlaan 2 NL - 2280 HV Rijswijk Tel. (+31-70) 340-2040, Tx. 31 651 epo nl. Fax: (+31-70) 340-3016		Authorized officer  Chen, A

## INTERNATIONAL SEARCH REPORT

International Application No

PCT/US 00/06505

## C.(Continuation) DOCUMENTS CONSIDERED TO BE RELEVANT

Category °	Citation of document, with indication, where appropriate, of the relevant passages	Relevant to claim No.
Y  A	WO 99 03396 A (HILL-ROM, INC.) 28 January 1999 (1999-01-28) cited in the application page 7, line 12 -page 11, line 23 figures 3,4,10-12	1,17,29
Y  A	--- US 5 514 873 A (SCHULZE-GANZLIN ET AL.) 7 May 1996 (1996-05-07) column 2, line 10 - line 31 column 2, line 48 -column 4, line 15 figures	2-7,11, 12,21, 23,24, 31,32
A  A	--- US 3 980 288 A (MITCHELL ET LA.) 14 September 1976 (1976-09-14) abstract column 3, line 9 - line 26 figure 1	30-33
A	--- DE 197 29 434 A (SIEMENS AG) 11 February 1999 (1999-02-11) the whole document	2,13,25
A	--- EP 0 436 761 A (SIEMENS AG) 17 July 1991 (1991-07-17) the whole document	30,31,33
		33

# INTERNATIONAL SEARCH REPORT

Information on patent family members

International Application No

PCT/US 00/06505

Patent document cited in search report	Publication date	Patent family member(s)	Publication date
DE 19628247	A	25-09-1997	DE 19628247 A1 25-09-1997
DE 19627659	C	08-01-1998	DE 19627659 C1 08-01-1998
WO 9903396	A	28-01-1999	US 5996149 A 07-12-1999 AU 8568098 A 10-02-1999 BR 9810906 A 01-08-2000 DE 996362 T1 05-10-2000 EP 1163881 A1 19-12-2001 EP 0996362 A2 03-05-2000 GB 2340369 A ,B 16-02-2000 JP 2001510063 T 31-07-2001 TR 200000092 T2 22-05-2000 WO 9903396 A2 28-01-1999 US 6095683 A 01-08-2000 US 6151732 A 28-11-2000 US 6341398 B1 29-01-2002
US 5514873	A	07-05-1996	DE 4402114 A1 27-07-1995 FR 2715530 A1 28-07-1995 IT MI950091 A1 25-07-1995
US 3980288	A	14-09-1976	CA 1035002 A1 18-07-1978 DE 2612728 A1 07-10-1976 GB 1546167 A 16-05-1979 JP 1245488 C 25-12-1984 JP 51126784 A 05-11-1976 JP 59018055 B 25-04-1984 SE 424403 B 19-07-1982 SE 7603502 A 26-09-1976
DE 19729434	A	11-02-1999	DE 19729434 A1 11-02-1999 JP 11072446 A 16-03-1999
EP 436761	A	17-07-1991	EP 0436761 A1 17-07-1991 DE 59007633 D1 08-12-1994 US 5231653 A 27-07-1993