



US00D564062S

(12) **United States Design Patent**
Carnevali

(10) **Patent No.:** **US D564,062 S**

(45) **Date of Patent:** **** Mar. 11, 2008**

(54) **FISHING ROD HOLDER**

(76) Inventor: **Jeffrey D. Carnevali**, 5957 Beach Dr.
SW., Seattle, WA (US) 98136

(**) Term: **14 Years**

(21) Appl. No.: **29/270,802**

(22) Filed: **Jan. 2, 2007**

(51) **LOC (8) Cl.** **22-05**

(52) **U.S. Cl.** **D22/147**

(58) **Field of Classification Search** **D22/147,**
D22/148, 138-139; 43/21.2, 54.1; 248/516-519,
248/530, 533, 538, 156; 224/922
See application file for complete search history.

(56) **References Cited**

U.S. PATENT DOCUMENTS

3,934,801 A	1/1976	Johnson
3,977,117 A	8/1976	Zahner
4,017,998 A	4/1977	Dumler
D246,661 S	12/1977	Engblom
4,093,171 A	6/1978	Mengo, Sr.
4,124,190 A	11/1978	Wheeler
4,142,315 A	3/1979	Hoffman
4,142,316 A	3/1979	Greer et al.
4,150,506 A	4/1979	McGinnis
4,154,015 A	5/1979	Holland
4,197,668 A	4/1980	McKinsey
4,198,775 A	4/1980	Leisner
4,202,125 A	5/1980	Kovacs
4,217,720 A	8/1980	Karr
4,235,409 A	11/1980	Cummings
4,257,181 A	3/1981	Cooper
4,344,248 A	8/1982	Brophy, Sr. et al.
4,366,640 A	1/1983	Clapp
4,397,113 A	8/1983	Pinson

4,399,630 A	8/1983	Laws
4,407,089 A	10/1983	Miller
D273,971 S	5/1984	Nelson et al.
4,455,779 A	6/1984	Cosic
4,468,878 A	9/1984	Maher
4,471,553 A	9/1984	Copeland
4,510,709 A	4/1985	Melcher
4,517,761 A	5/1985	Bleggi
4,528,768 A	7/1985	Anderson
4,541,196 A	9/1985	Jershin
4,550,519 A	11/1985	Simmons et al.
4,581,838 A	4/1986	Moon
D283,909 S	5/1986	Hoover

(Continued)

Primary Examiner—Catherine R. Oliver
(74) *Attorney, Agent, or Firm*—Charles J. Rupnick

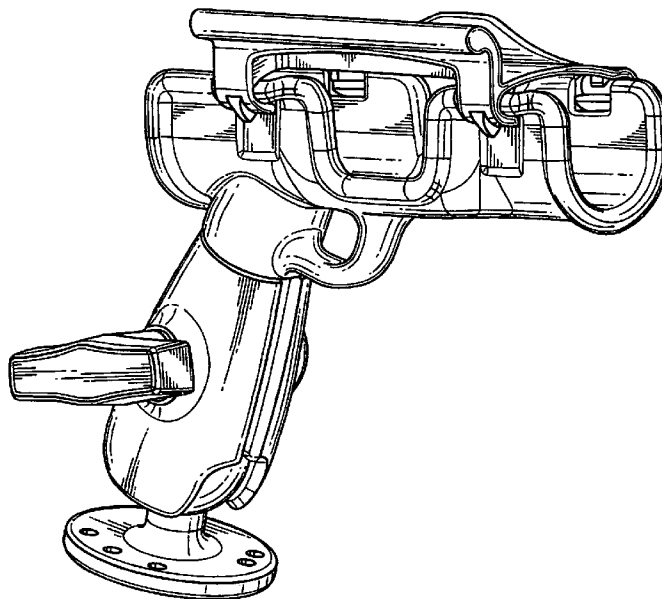
(57) **CLAIM**

The ornamental design for a fishing rod holder, as shown and described.

DESCRIPTION

FIG. 1 is a front and side perspective view of the fishing rod holder showing my new design;
FIG. 2 is a front and opposite side perspective view thereof;
FIG. 3 is a rear and side perspective view thereof;
FIG. 4 is a rear and opposite side perspective view thereof;
FIG. 5 is a front elevational view thereof;
FIG. 6 is a rear elevational view thereof;
FIG. 7 is a first side elevational view thereof;
FIG. 8 is a second side elevational view thereof; and,
FIG. 9 is a top plan view thereof.

1 Claim, 8 Drawing Sheets



US D564,062 S

U.S. PATENT DOCUMENTS					
4,586,688 A	5/1986	Hartman et al.	5,873,191 A	2/1999	Bova et al.
4,594,805 A	6/1986	McClelland	D407,137 S	3/1999	Thompson
4,614,323 A	9/1986	Bauer	5,937,567 A	8/1999	Elkins
4,640,038 A	2/1987	Jershin	5,975,479 A	11/1999	Suter
4,641,453 A	2/1987	Roberts, Sr.	5,987,801 A	11/1999	Anderson
4,650,146 A	3/1987	Duke	5,987,804 A	11/1999	Shearer et al.
4,674,222 A	6/1987	Hughes	5,992,081 A	11/1999	Elkins
4,676,018 A	6/1987	Kimball	D418,195 S	12/1999	Perry
4,676,019 A	6/1987	Engles	5,996,958 A	12/1999	Baynard et al.
4,730,408 A	3/1988	Miller	6,003,746 A	12/1999	Richardson
4,763,435 A	8/1988	Deering	6,052,937 A	4/2000	Morong
4,765,083 A	8/1988	Wilkins	6,094,851 A	8/2000	Guidry
4,778,141 A	10/1988	Bogar	6,112,449 A	9/2000	Blackwell
D298,699 S	11/1988	Glawe	D443,020 S	5/2001	Ratza et al.
4,793,086 A	12/1988	Cup	D447,213 S	8/2001	Rossmann
4,831,763 A	5/1989	Alcorn	6,269,584 B1	8/2001	Peaschek
D303,003 S	8/1989	Combs	6,301,820 B1	10/2001	Rosa
4,852,290 A	8/1989	Wallace et al.	6,302,367 B1	10/2001	Ratza et al.
4,877,165 A	10/1989	Behrle	6,318,017 B1	11/2001	Genardo
D307,170 S	4/1990	Scott	6,363,650 B1	4/2002	Beeler
4,919,316 A	4/1990	Grauberger	6,381,897 B1	5/2002	Walsh
D307,786 S	5/1990	Cedergreen	D459,784 S	7/2002	Smith
4,932,152 A	6/1990	Barlotta et al.	D460,144 S	7/2002	Huy, Jr.
5,009,027 A	4/1991	Lee	6,421,948 B1	7/2002	Craig
5,025,584 A	6/1991	Butterwick, Sr.	D461,521 S	8/2002	Krueger
5,033,223 A	7/1991	Minter	D461,522 S	8/2002	James et al.
5,054,229 A	10/1991	Hughes	6,427,376 B1	8/2002	Weber
5,068,996 A	12/1991	Shank	6,430,864 B1	8/2002	Thomure et al.
5,088,224 A	2/1992	Gutierrez	D464,705 S	10/2002	Ratliffe
5,105,574 A	4/1992	Fast	D465,006 S	10/2002	Kissner
D330,753 S	11/1992	Gutierrez	6,484,433 B1	11/2002	Greene
5,163,244 A	11/1992	Rupp	6,487,813 B2	12/2002	Baynard et al.
D332,299 S	1/1993	Dryna et al.	6,499,248 B2	12/2002	Thompson
5,184,797 A	2/1993	Hurner	D471,952 S	3/2003	Cardenas
D334,226 S	3/1993	Engle	6,568,122 B1	5/2003	Smith
D335,031 S	4/1993	Resnik et al.	6,594,941 B1	7/2003	Anderson
5,231,785 A	8/1993	Roberts	D478,649 S	8/2003	Stuedeman et al.
D345,409 S	3/1994	Baynard	6,626,409 B1	9/2003	Thompson
5,295,321 A	3/1994	Matura	D480,782 S	10/2003	DeBerry et al.
5,313,734 A	5/1994	Roberts	6,637,146 B2	10/2003	Ernst
D347,678 S	6/1994	McCann, Jr. et al.	6,651,374 B1	11/2003	Ridlen
5,335,440 A	8/1994	Williams	D483,436 S	12/2003	Tull
5,341,589 A	8/1994	Gutierrez	6,681,517 B1	1/2004	Solomon
D352,543 S	11/1994	Venable	6,718,682 B1	4/2004	Seitsinger et al.
5,359,802 A	11/1994	Gutierrez	6,802,150 B2	10/2004	Harden
5,365,689 A	11/1994	Holliman	D499,789 S	12/2004	Bridgewater
5,435,473 A	7/1995	Larkum	D503,768 S	4/2005	Thompson
5,437,122 A	8/1995	Wilson	D507,817 S	7/2005	Mitchell
5,438,789 A	8/1995	Emory	6,941,694 B2	9/2005	Ernst
5,446,989 A	9/1995	Strange et al.	6,974,113 B1	12/2005	Clark et al.
5,460,306 A	10/1995	Rudd	D516,164 S	2/2006	Roth et al.
D365,870 S	1/1996	Miller	7,017,296 B2	3/2006	Templeman et al.
D366,091 S	1/1996	Delekta et al.	D523,109 S	6/2006	Palmer, Jr.
5,501,028 A	3/1996	Hull et al.	D525,675 S	7/2006	Munn
5,519,959 A	5/1996	Cross	7,086,194 B1	8/2006	Troyer, Jr.
D372,956 S	8/1996	Mills	7,086,195 B2	8/2006	Borgeat
5,557,876 A	9/1996	Parker	7,089,699 B2	8/2006	Borgeat
5,557,877 A	9/1996	Colson	7,114,281 B2	10/2006	Miller
5,561,937 A	10/1996	Johnson	7,131,232 B1	11/2006	Fecht
5,571,228 A	11/1996	McMurtrie	D542,884 S *	5/2007	Johnson D22/147
D377,387 S *	1/1997	Mathewson D22/147	2002/0023996 A1	2/2002	Kondash
5,632,112 A	5/1997	Steinborn	2002/0043014 A1	4/2002	Kondash
5,632,427 A	5/1997	Gattuso et al.	2002/0116860 A1	8/2002	Ernst
D386,557 S	11/1997	Thompson	2003/0089021 A1	5/2003	Miller
D388,153 S	12/1997	Snyder	2003/0217500 A1	11/2003	Ernst
5,724,763 A	3/1998	Rasmussen	2004/0025404 A1	2/2004	Thompson
D394,486 S	5/1998	O'Neill	2004/0144016 A1	7/2004	Harden
5,761,844 A	6/1998	Horschel	2006/0064919 A1	3/2006	Fulop
5,845,891 A	12/1998	West	2006/0137236 A1	6/2006	Diederichs
5,855,087 A	1/1999	Risinger	2006/0254118 A1	11/2006	Warecke
5,871,196 A	2/1999	Martelli			

* cited by examiner

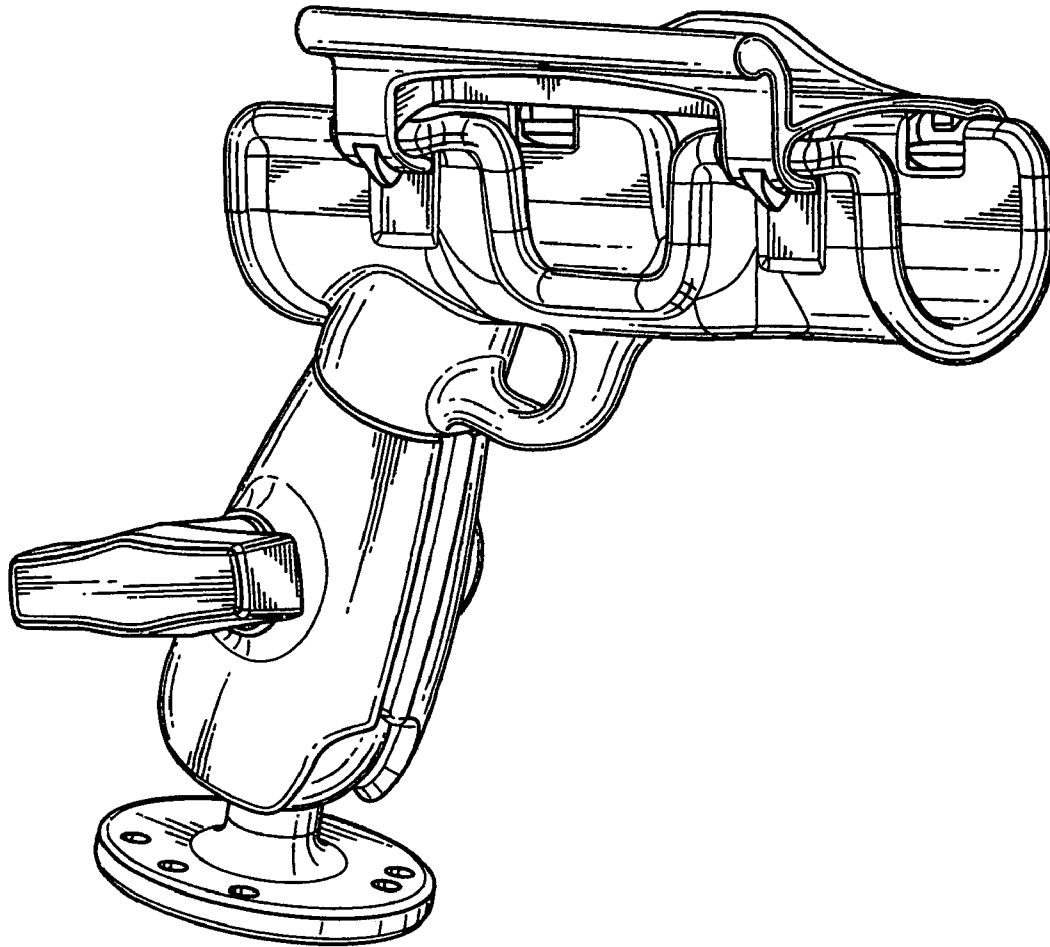


FIG.1

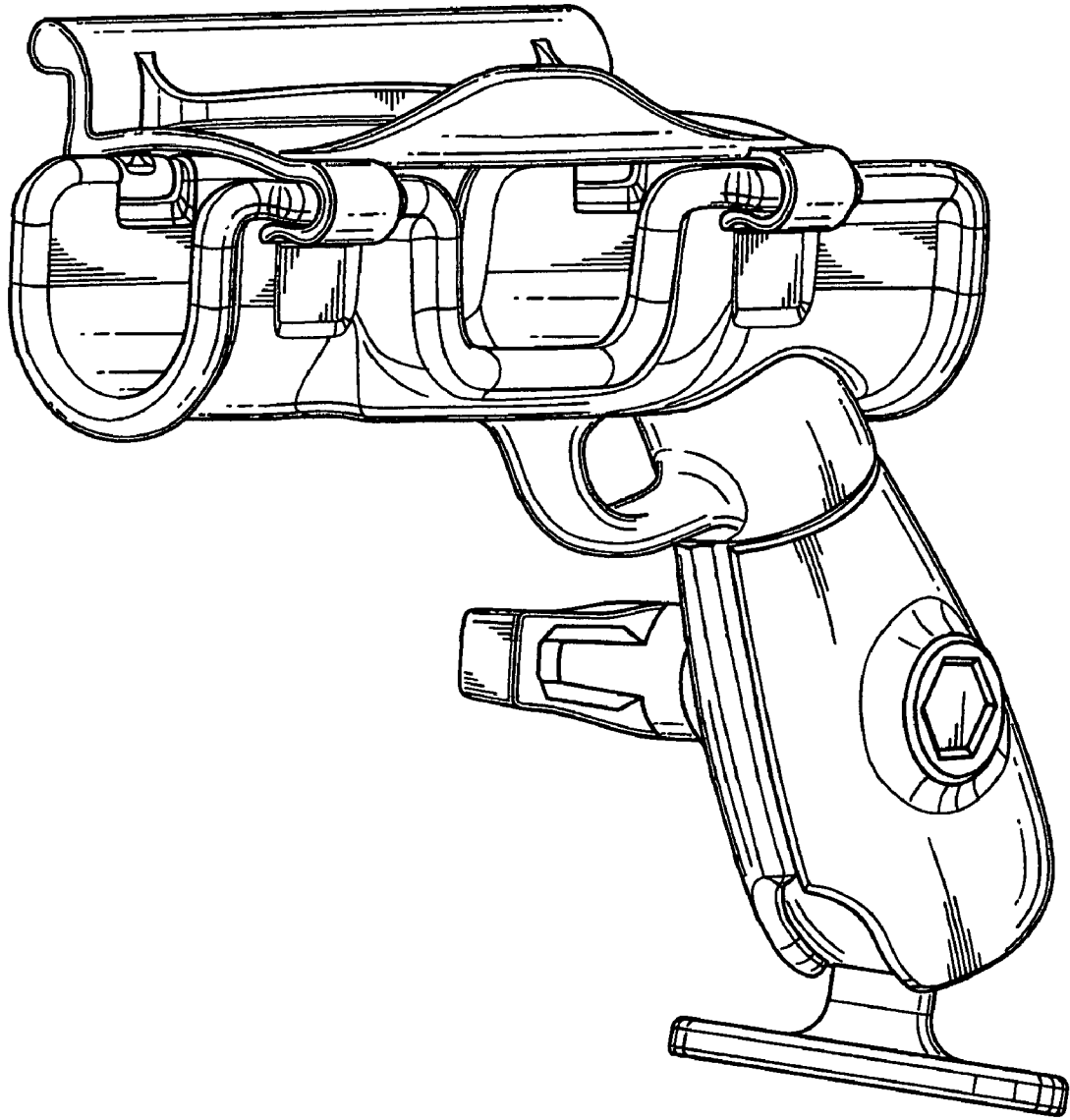


FIG. 2

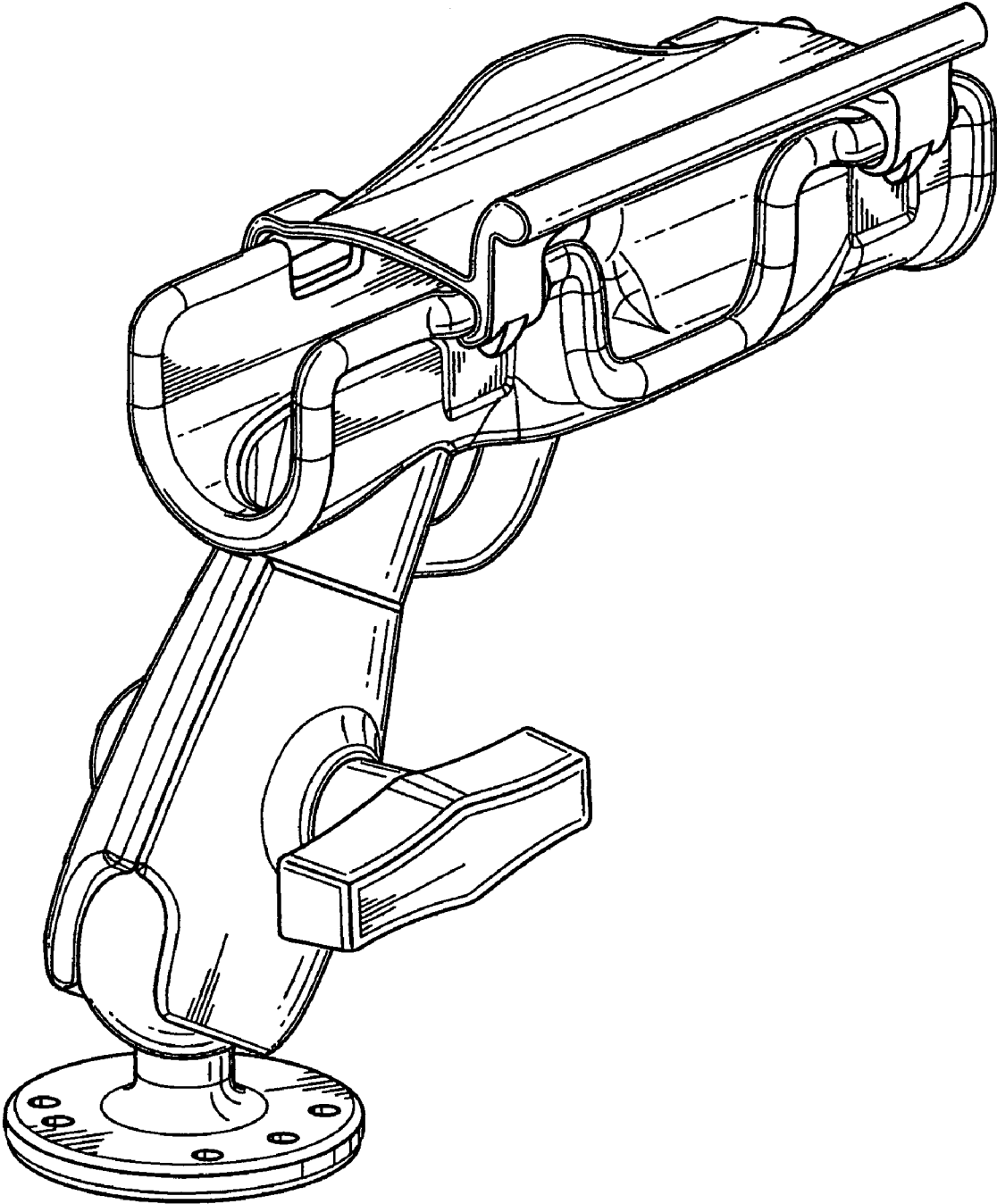


FIG.3

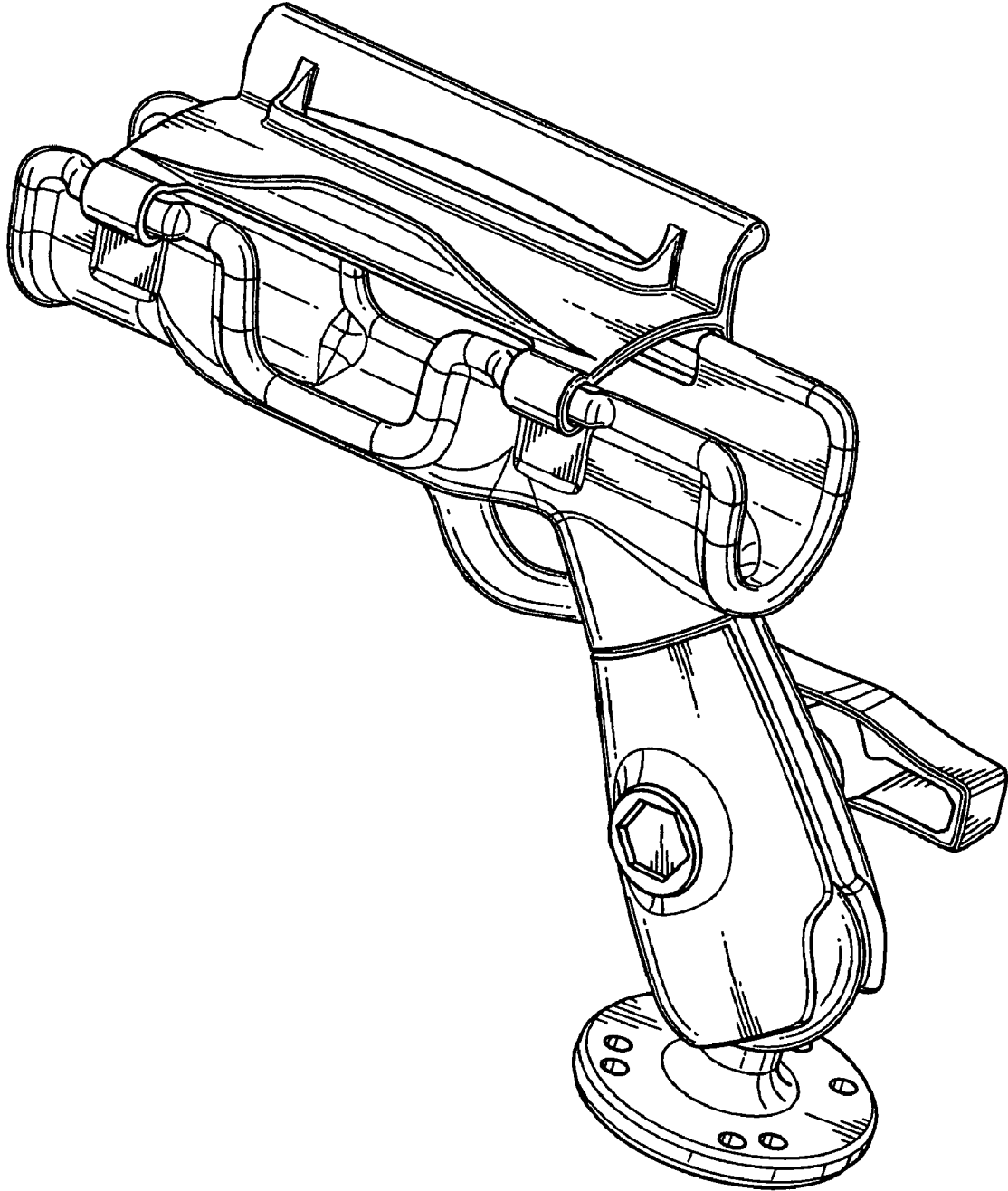


FIG. 4

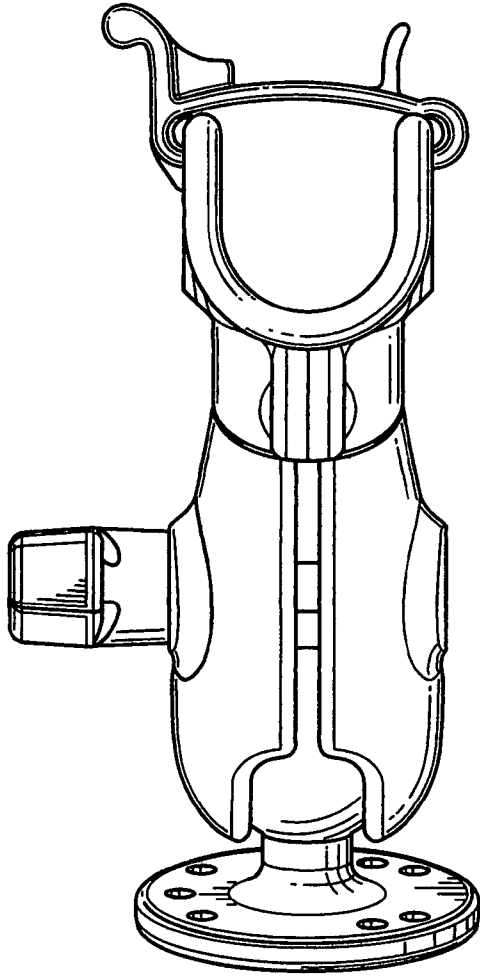


FIG. 5

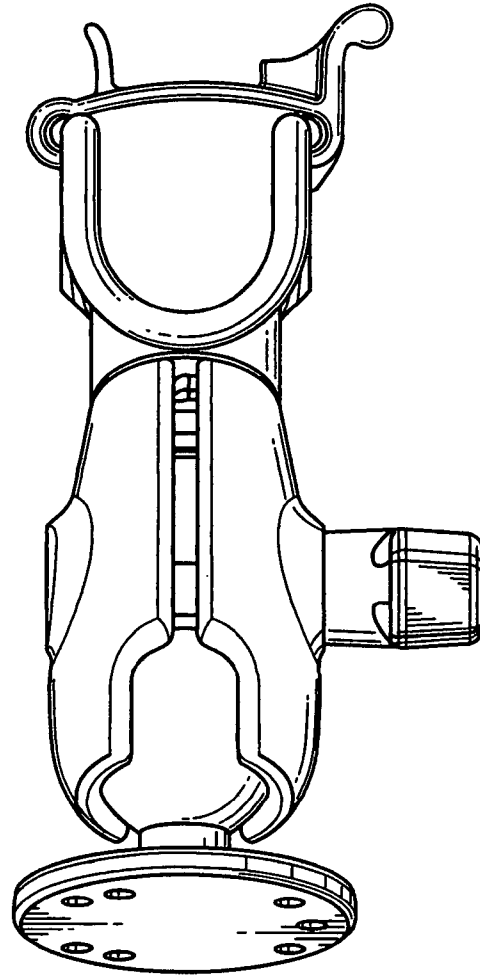


FIG. 6

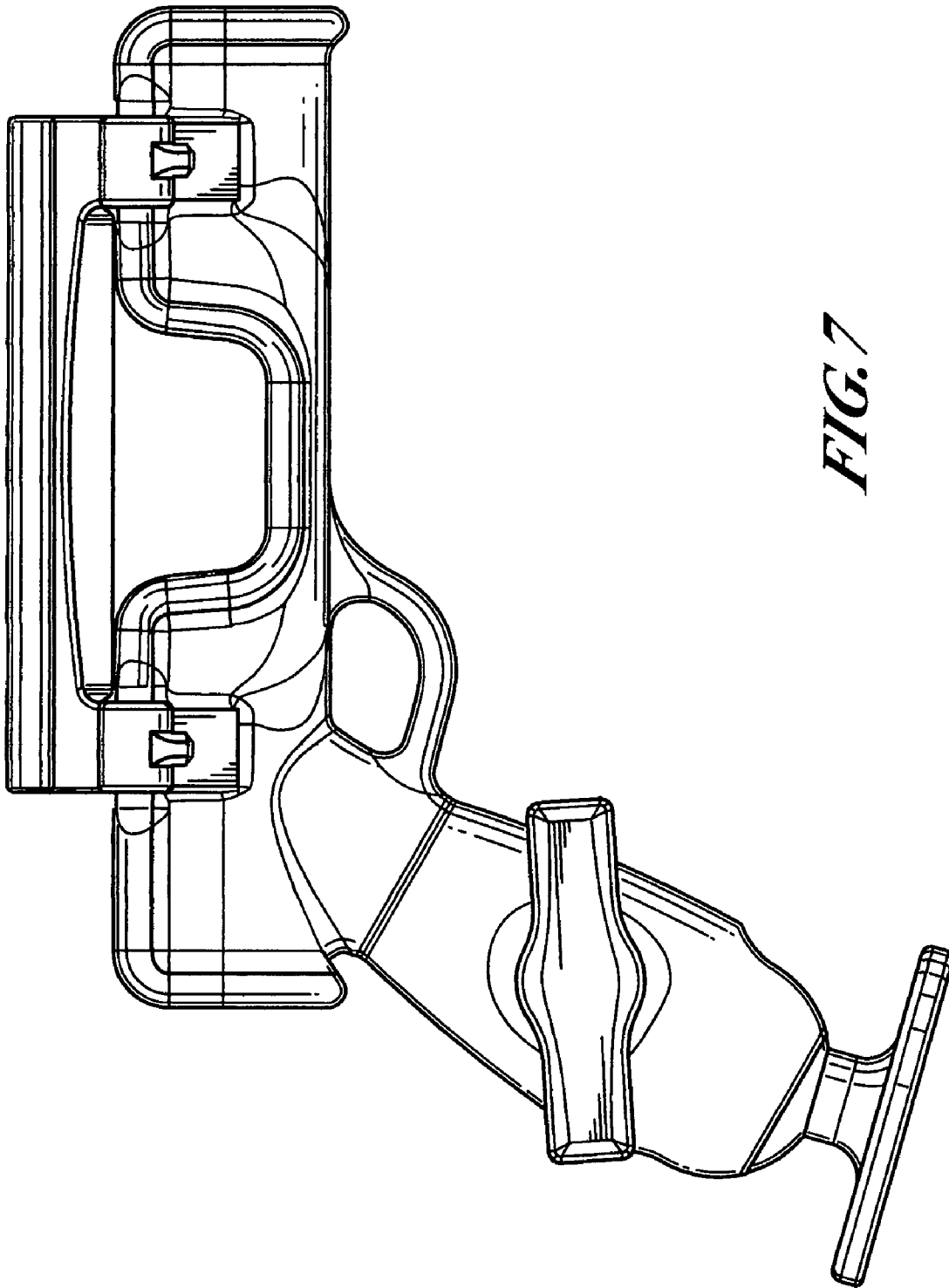


FIG. 7

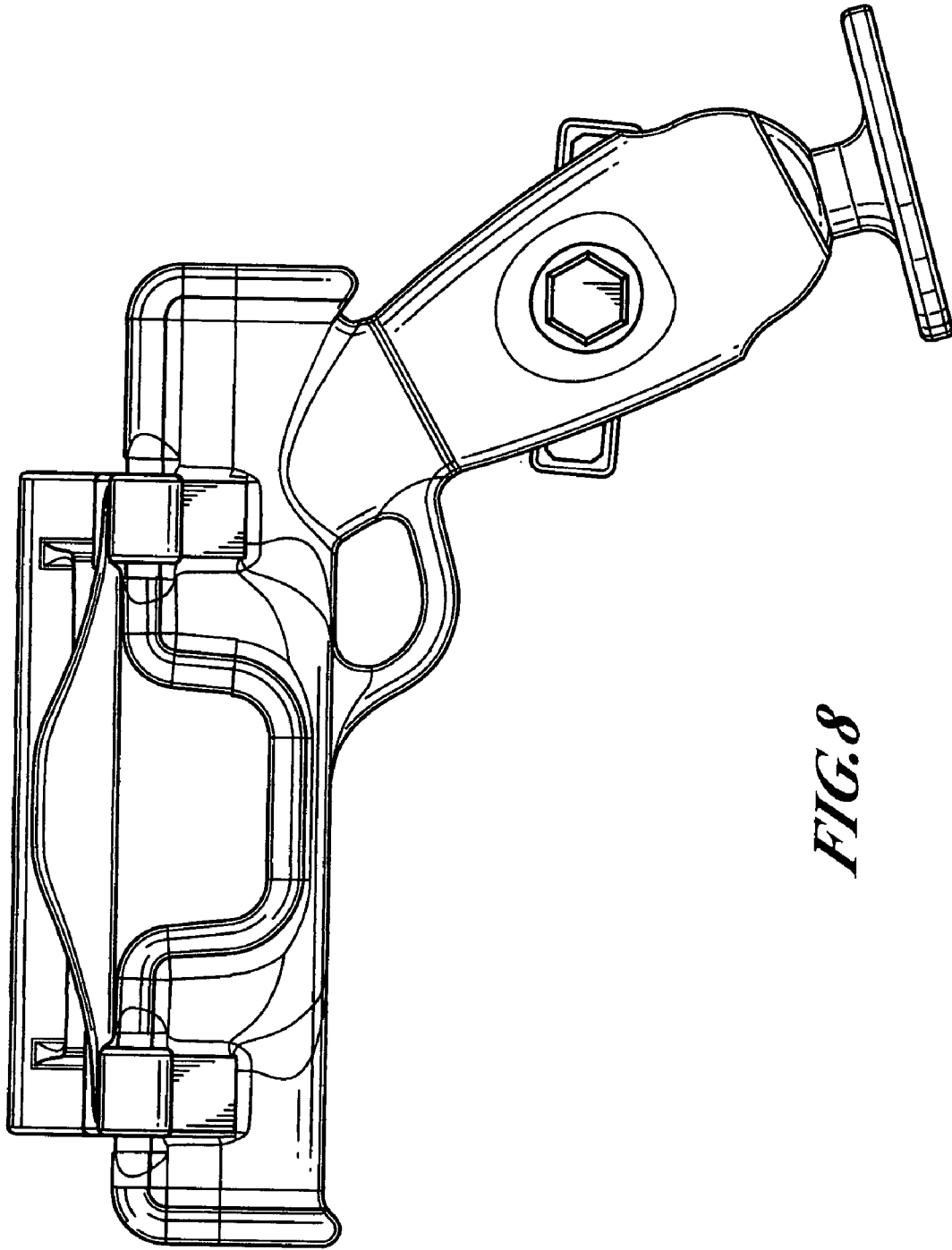


FIG. 8

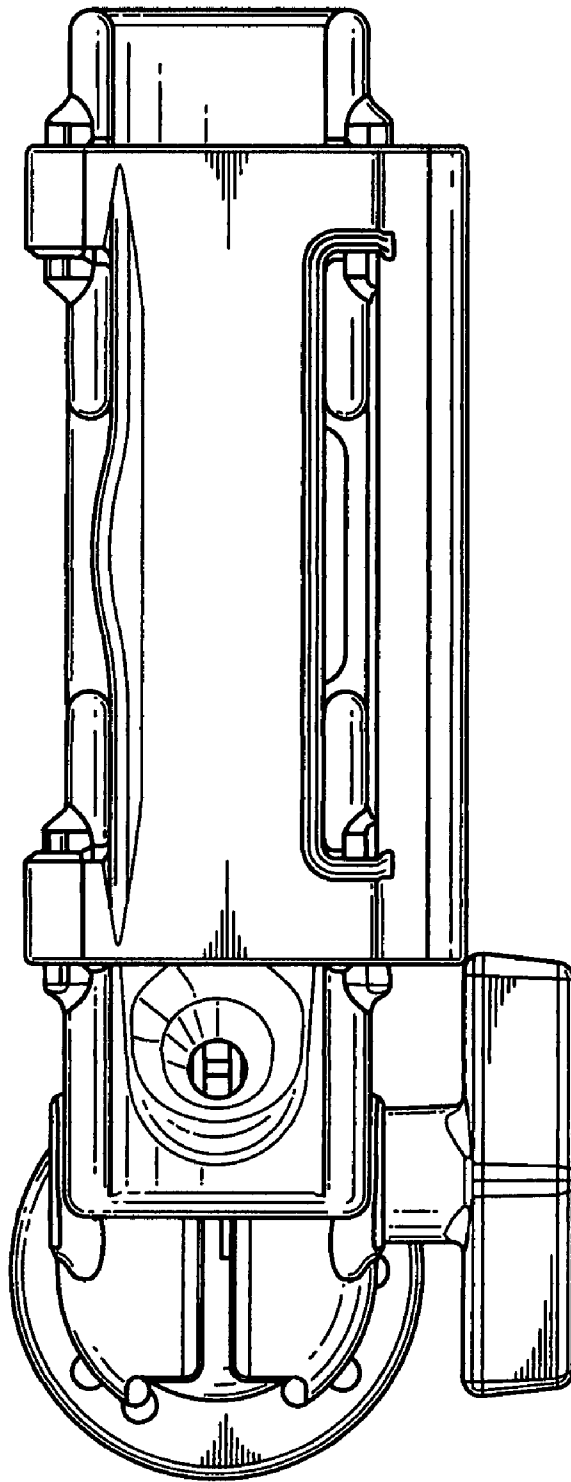


FIG. 9