



US00D972358S

(12) **United States Design Patent**  
**Jung et al.**

(10) **Patent No.:** **US D972,358 S**

(45) **Date of Patent:** **\*\* Dec. 13, 2022**

(54) **TOASTER OVEN**

(71) Applicant: **LG ELECTRONICS INC.**, Seoul (KR)

(72) Inventors: **Hanjin Jung**, Seoul (KR); **Woonkyu Seo**, Seoul (KR); **Hyun Choi**, Seoul (KR); **Byeongkook Kim**, Seoul (KR)

(73) Assignee: **LG ELECTRONICS INC.**, Seoul (KR)

(\*\*) Term: **15 Years**

(21) Appl. No.: **29/798,907**

(22) Filed: **Jul. 12, 2021**

(30) **Foreign Application Priority Data**

Jan. 18, 2021 (KR) ..... 30-2021-0002565

(51) **LOC (13) Cl.** ..... **07-02**

(52) **U.S. Cl.**  
USPC ..... **D7/328**

(58) **Field of Classification Search**  
USPC ... D7/323, 328-330, 339, 350.1, 350.4, 351, D7/390  
CPC ... A21B 2/00; A47J 37/00; A47J 37/06; A47J 37/0611; A47J 37/08; A47J 37/0807; A47J 37/0814; A47J 37/0821; A47J 37/0835; A47J 37/0842; A47J 37/085; A47J 37/0864; A47J 37/0878; A47J 37/0885; A47J 37/0892; F24C 15/10; F24C 15/102

See application file for complete search history.

(56) **References Cited**

**U.S. PATENT DOCUMENTS**

D310,616 S \* 9/1990 Murai ..... D7/351  
D431,957 S \* 10/2000 Taira ..... D7/351

D433,268 S \* 11/2000 Taira ..... D7/351  
D442,018 S \* 5/2001 Kusachi ..... D7/351  
D634,968 S \* 3/2011 Drummond ..... D7/351  
D717,581 S \* 11/2014 Kim ..... D7/351  
D718,084 S \* 11/2014 Kim ..... D7/351  
D779,263 S \* 2/2017 Suh ..... D7/351  
D859,053 S \* 9/2019 Baacke ..... D7/339  
D873,064 S \* 1/2020 Kim ..... D7/351  
D888,489 S \* 6/2020 Thorogood ..... D7/350.4  
D927,241 S \* 8/2021 Huang ..... D7/351  
D955,800 S \* 6/2022 Kim ..... D7/350.1

\* cited by examiner

*Primary Examiner* — Ricky Pham

(74) *Attorney, Agent, or Firm* — Birch, Stewart, Kolasch & Birch, LLP

(57) **CLAIM**

We claim the ornamental design for a toaster oven, as shown and described.

**DESCRIPTION**

FIG. 1 is a perspective view of a toaster oven showing a new design;

FIG. 2 is a front view thereof;

FIG. 3 is a rear view thereof;

FIG. 4 is a left-side elevation view thereof;

FIG. 5 is a right-side elevation view thereof;

FIG. 6 is a top plan view thereof;

FIG. 7 is a bottom plan view thereof;

FIG. 8 is a disassembled perspective view thereof; and,

FIG. 9 is a perspective view shown in opened condition.

The broken lines shown in the drawings illustrate portions of the toaster oven that form no part of the claimed design.

**1 Claim, 9 Drawing Sheets**

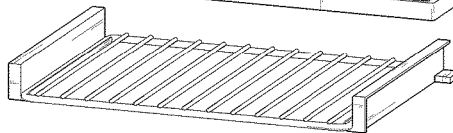
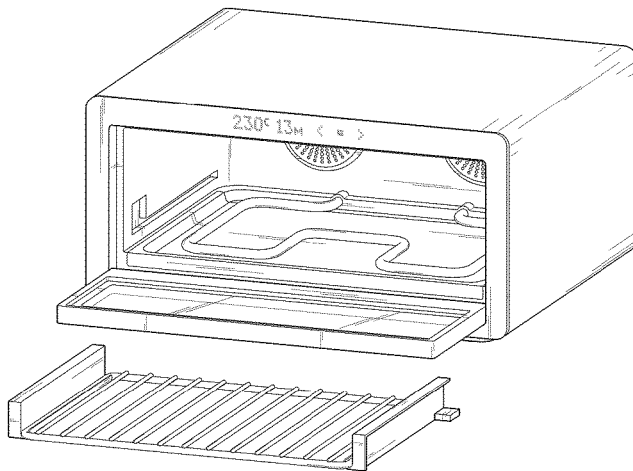
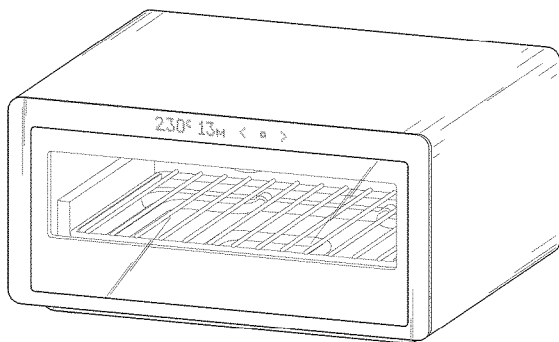


FIG. 1

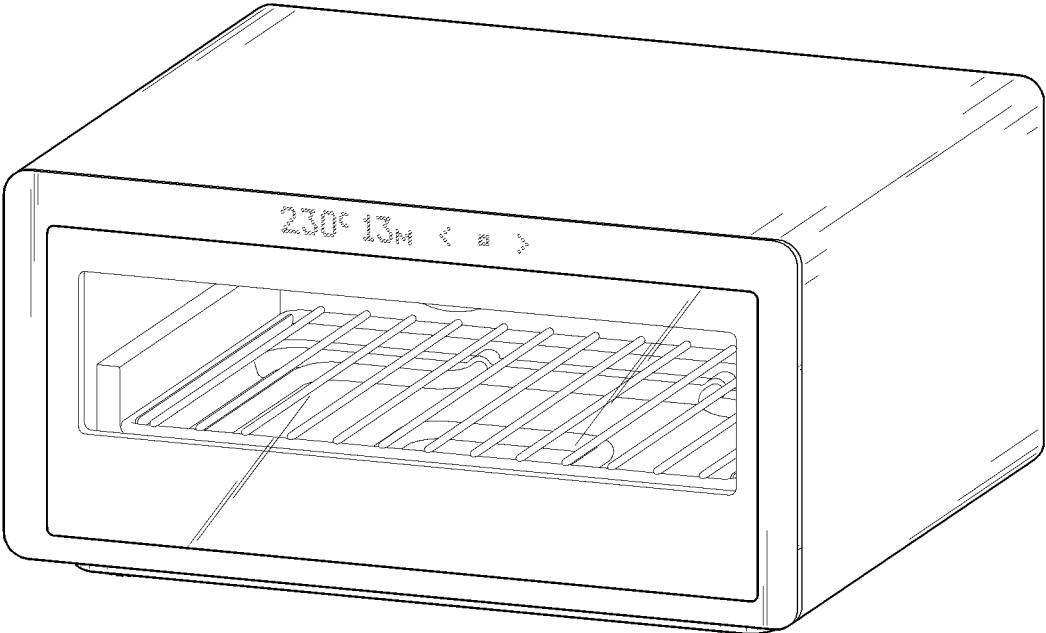
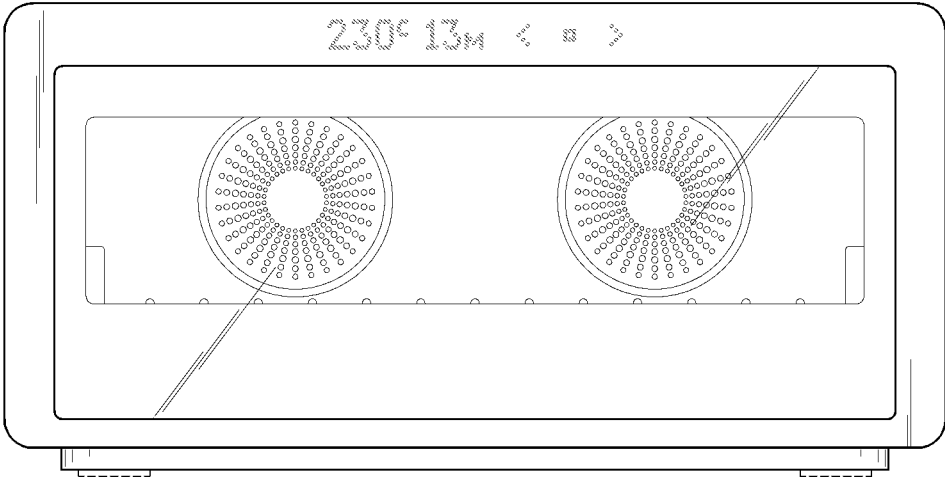
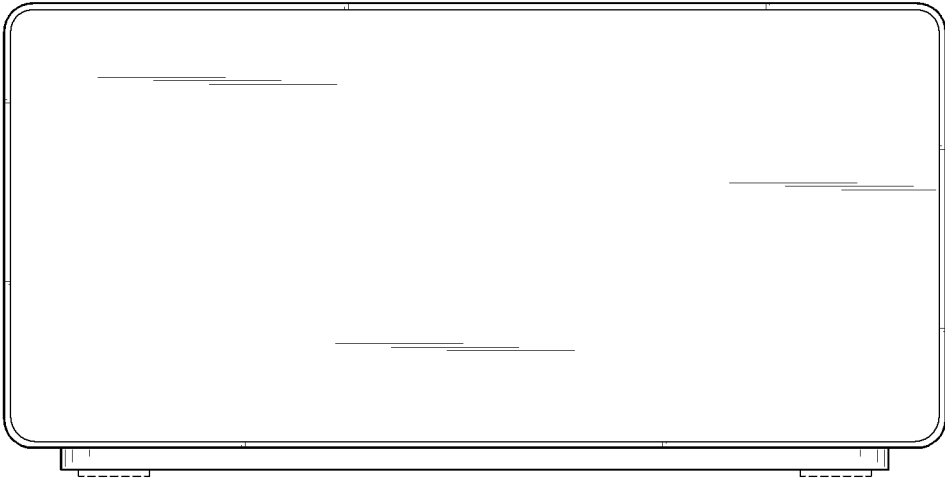


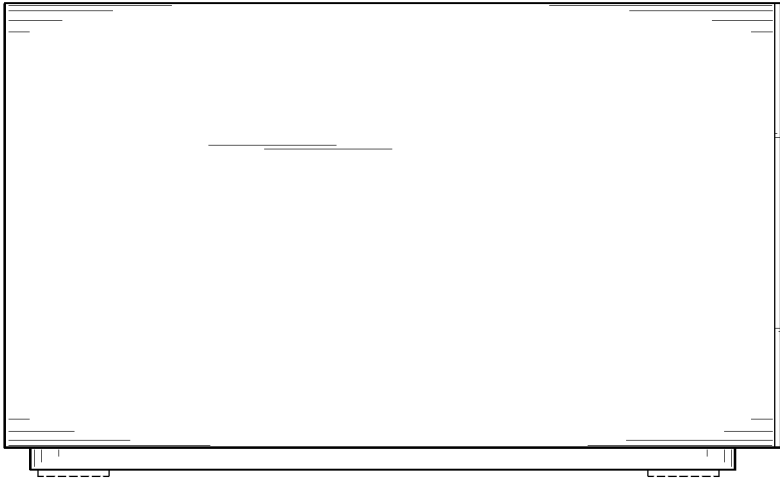
FIG. 2



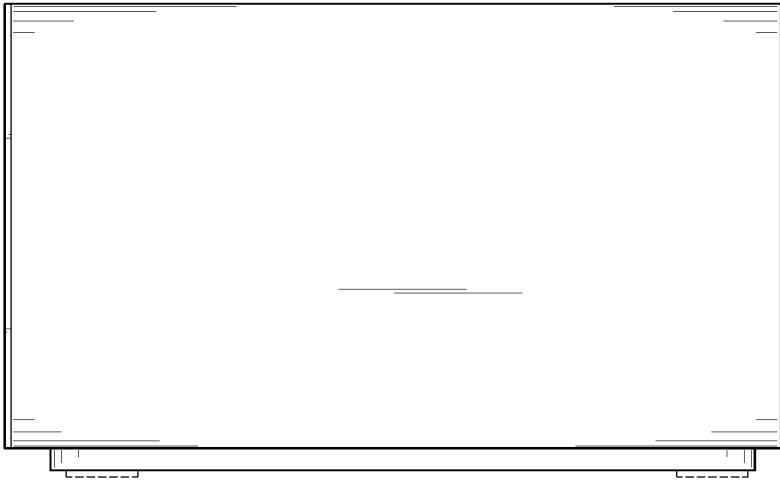
*FIG. 3*



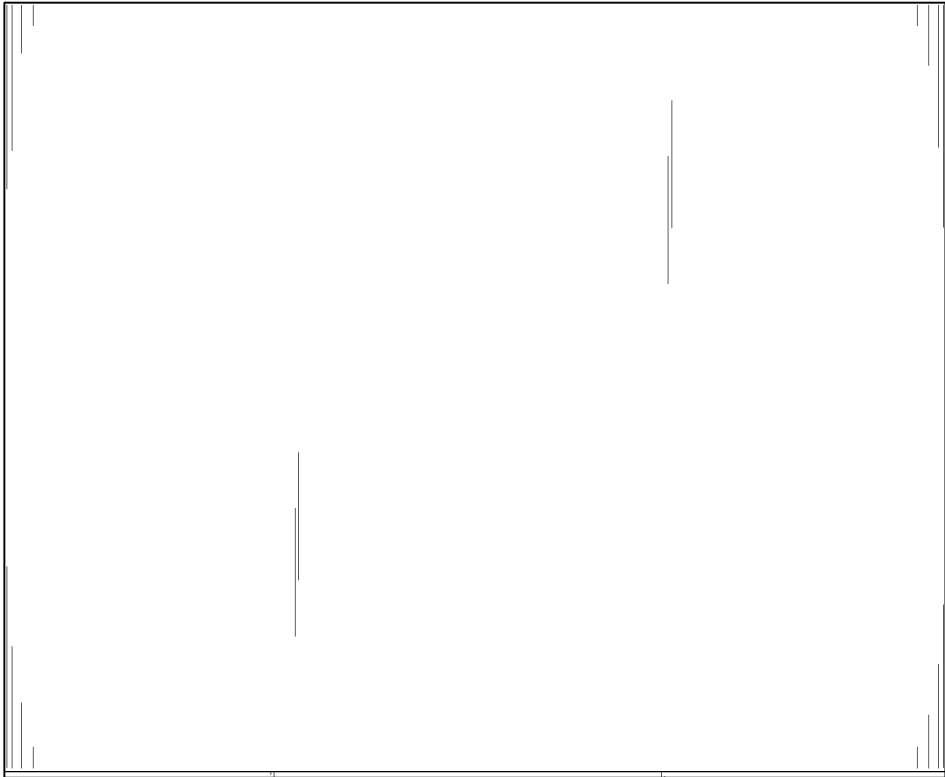
*FIG. 4*



*FIG. 5*



*FIG. 6*



*FIG. 7*

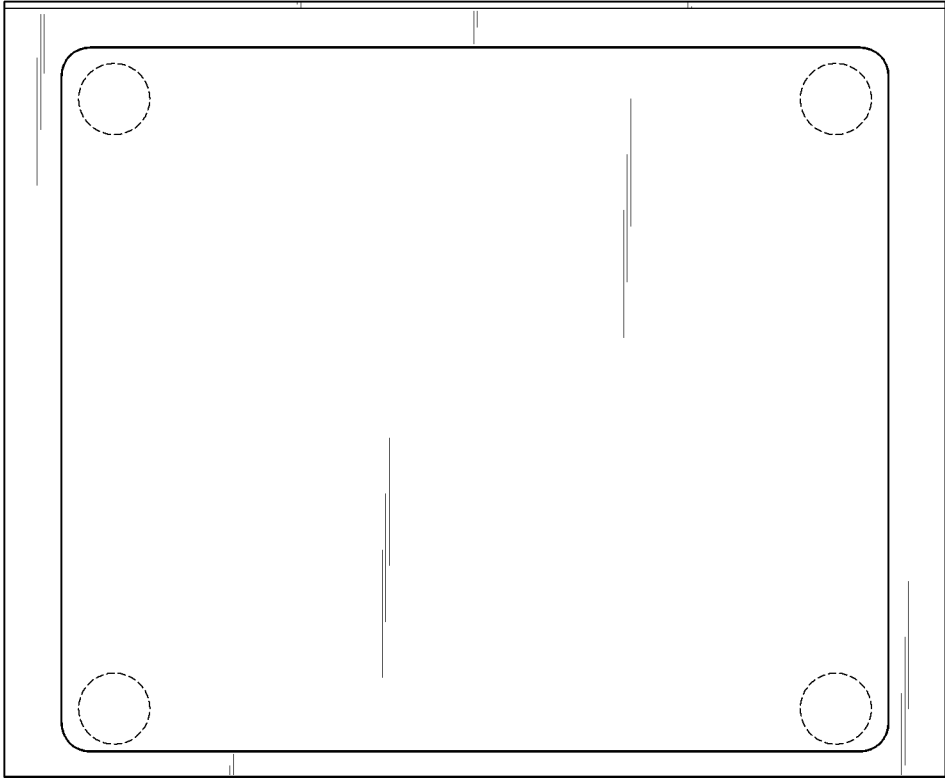


FIG. 8

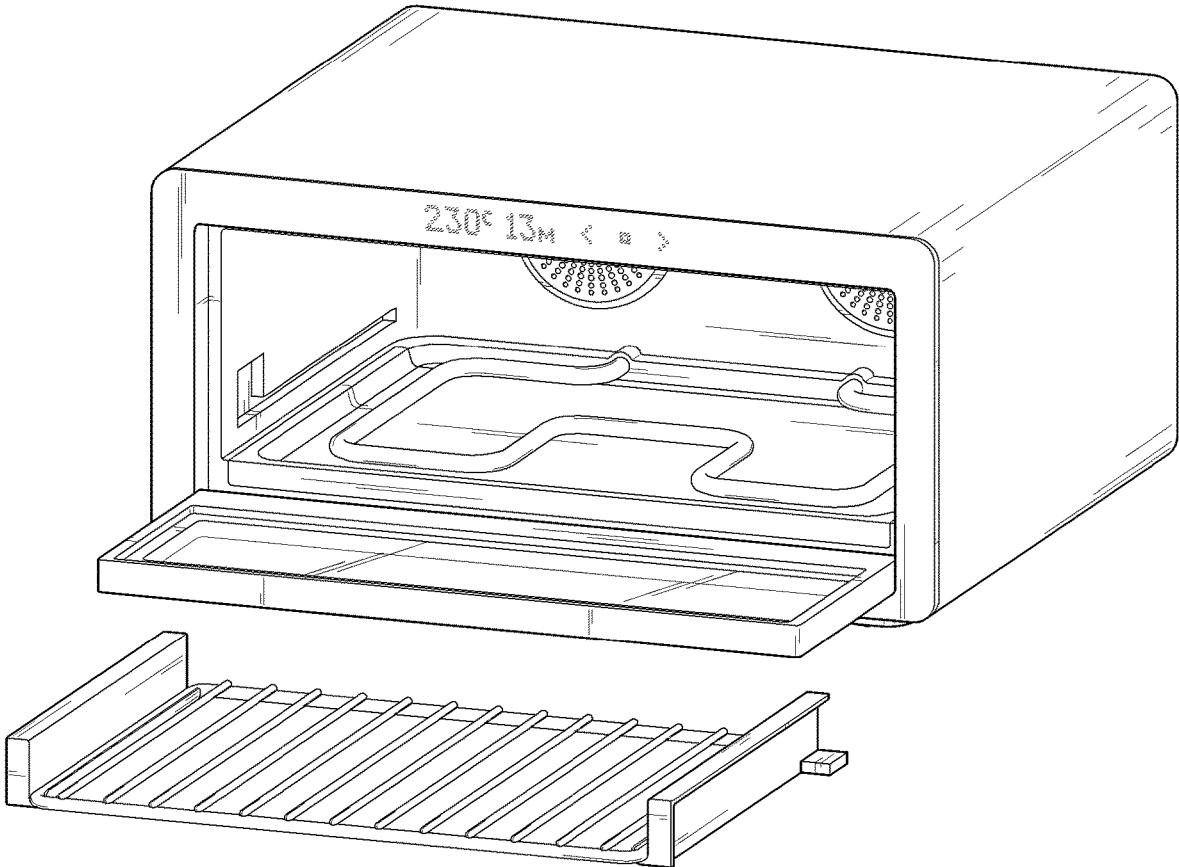


FIG. 9

