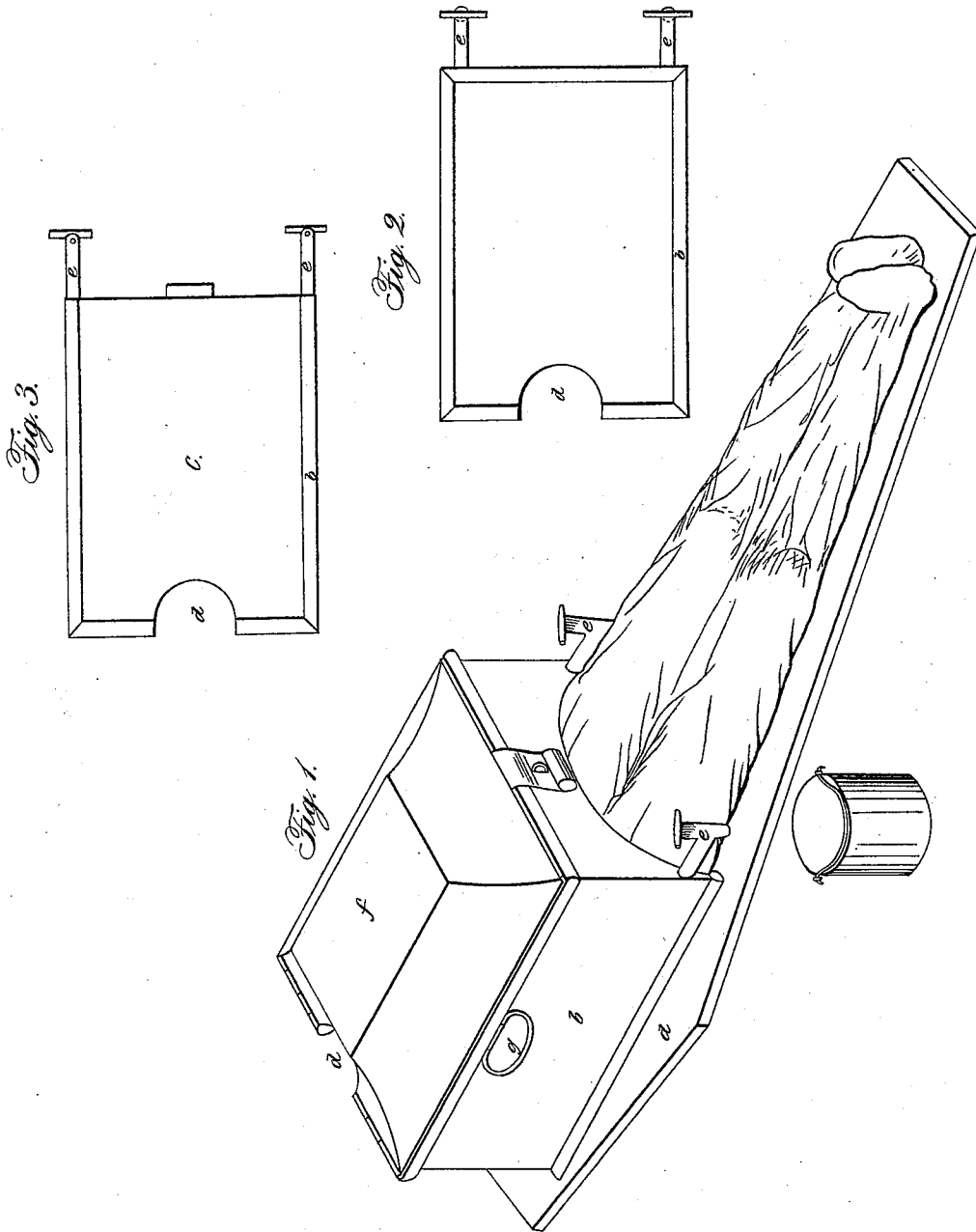


FREDERICK & TRUMP.

Corpse Cooler.

No. 4,504.

Patented May 9, 1846.



UNITED STATES PATENT OFFICE.

ROBERT FREDRICK AND G. A. TRUMP, OF BALTIMORE, MARYLAND.

REFRIGERATOR FOR CORPSES.

Specification of Letters Patent No. 4,504, dated May 9, 1846; Antedated May 2, 1846.

To all whom it may concern:

Be it known that we, ROBERT FREDRICK and G. A. TRUMP, of the city of Baltimore and State of Maryland, have invented a new and useful Apparatus for Preserving Corpses, and that the following is a full, clear, and exact description of the principle or character thereof which distinguishes it from all other things before known and of the manner of making, constructing, and using the same, reference being had to the accompanying drawings, making part of this specification, in which—

Figure 1 is a view of the apparatus applied to the corpse; Fig. 2, is a plan of the same with the cover removed; and Fig. 3, a view of the underside of the box.

Various devices have from time to time been essayed for preserving bodies after death by the application of ice; but where applied directly to the body it was troublesome and ineffectual, wetting it and thereby rendering it more subject to decomposition. Another process has been to place the body in a coffin shaped case, said case being surrounded with ice, but this method was objectionable on account of the space that must intervene between the ice and those parts of the body most desirable to congeal. Experience has proved that it is only necessary to freeze the trunk or abdomen and the chest; but no apparatus has heretofore been made that would with any degree of certainty effect this object on all sized persons without an immense expenditure of ice, owing to the difficulty of bringing the reservoir containing the ice in contact with the proper parts. By our invention we effect this, and with a very small quantity of ice we freeze the corpse as much as is necessary, while at the same time, our apparatus is portable and convenient.

In the accompanying drawings (a) is a common cooling board on which the body is laid out; (b) is an oblong box made of metal, the bottom (c) of which is concave so as to fit the chest and abdomen; the upper end of this box, or that part which is placed nearest the head has a curved recess (d) in it to allow the box to cover the shoulders without touching the head; at this end the partition comes down on each side of the above named recess as low as the sides so as to cover the shoulders. At the other end the recess goes straight out, as is clearly shown in the drawing; near each side and at the lowest part at this end are stop cocks (e, e) for the purpose of letting off the water from the ice which is placed inside; a cover (f) is furnished which shuts tight, and handles (g) to lift it by are placed on the sides.

In using this apparatus a sufficient quantity of ice is put in it, and it is placed over the body on the cooling board touching the chest and abdomen, and freezing those parts in a very short time. It can be applied after the body is dressed, so that when the process is finished the corpse can be immediately laid in the coffin.

Having thus fully described our improved apparatus and its application, what we claim as our invention and desire to secure by Letters Patent, is—

A reservoir for containing ice, having a bottom formed to fit the corpse, so that it can be placed in contact with it, in the manner and for the purpose described.

ROBERT FREDRICK.
GRANVILLE A. TRUMP.

Witnesses:

J. J. GREENOUGH,
S. C. DONN.