

19



Octrooicentrum
Nederland

11

2009236

12 C OCTROOI

21

Aanvraagnummer: **2009236**

51

Int.Cl.:

B67D 1/04 (2006.01)

B67D 1/08 (2006.01)

B67D 7/02 (2010.01)

B29C 49/06 (2006.01)

22

Aanvraag ingediend: **26.07.2012**

43

Aanvraag gepubliceerd:

-

73

Octrooihouder(s):

Heineken Supply Chain B.V. te Amsterdam.

47

Octrooi verleend:

06.02.2014

72

Uitvinder(s):

Pieter Gerard Witte te Amsterdam.

Arie Maarten Paauwe te Amsterdam.

Bart Jan Bax te Amsterdam.

45

Octrooischrift uitgegeven:

12.02.2014

74

Gemachtigde:

ir. C.M. Jansen c.s. te Den Haag.

54

Container and set of preforms for forming a container.

57

Container of a bag-in-container type, wherein a neck region of the container is provided with at least one opening extending substantially radially there through, into a space between the outer container and an inner container adjacent thereto, wherein:

- the neck region is provided with coupling elements, preferably at opposite sides of said at least one opening, seen in circumferential direction, for coupling of a connecting device to the container for introducing a pressure fluid through said at least one opening into a space between the inner and outer container; and/or
- the at least one opening is provided with or forming part of a first coupler for coupling a pressure fluid feed line to said opening, for pressurising a space between the inner and outer container.

NL C 2009236

Dit octrooi is verleend ongeacht het bijgevoegde resultaat van het onderzoek naar de stand van de techniek en schriftelijke opinie. Het octrooischrift komt overeen met de oorspronkelijk ingediende stukken.

P98974NL00

Title: Container and set of preforms for forming a container.

The invention relates to a container, especially of a bag-in-container type, and a set of preforms for forming the same.

The invention further relates to a tapping assembly for dispensing beverages. The invention especially but not exclusively relates to such
5 tapping assembly for dispensing a beverage from a bag-in-container type container.

The invention further relates to a method for forming a container, especially of the bag-in-container type.

It is known to dispense beverages such as carbonated beverages,
10 especially beer from a rigid metal or wooden container such as a keg, barrel or cask by feeding pressurised gas, such as CO₂ into the container, forcing the beverage out of the container.

In an alternative system, as for example known from Heineken's DraughtKeg® and disclosed in for example EP1064221, a beverage
15 container can be provided with an integrated, for example internal pressurizer, with which preferably automatically gas is introduced into the container in order to pressurise the beverage for dispensing and maintain as much as possible a constant pressure inside the container.

It has further been known, as is for example known from
20 Heineken's BeerTender® and disclosed in WO00/03944, to dispense beverages from a bag-in-container type of container, in which a beverage is contained inside a flexible inner container, which is suspended in a more rigid outer container. In such system a pressurising gas can be inserted into the container, between the inner and outer container, thereby compressing
25 the bag or inner container, squeezing out the beverage without the pressurising gas coming into direct contact with the beverage.

In EP2148771 an integrally blow moulded bag-in-container is disclosed, for holding and dispensing beverages, wherein at least one vent is provided running parallel to an interface between inner and outer containers, which vent opens to the atmosphere at a location adjacent to and orientated approximately coaxially with the bag-in-container's mouth. EP2148771 fails to disclose how this container is used in a dispensing assembly, especially how this is to be connected to a tapping line or tapping device.

WO2011/002295 further discloses a system in which a container is compressed within a pressure chamber, such that beverage contained within the container is dispensed. This requires a strong pressure chamber and an air tight closure of the pressure chamber to the container.

WO2011/002294 discloses an integrally blow moulded bag-in-container type container, wherein at a neck region of the inner container an opening is provided, opening into a space between the inner and outer container. A closure can be provided, with a valve and a gas feed channel, connecting to said opening for feeding gas under pressure into said space. The full gas pressure is therein exerted on the neck region of the outer container, in the neck region. In an alternative embodiment the opening could be in the neck of the outer preform or container.

The present invention aims at providing an alternative container, especially of a BIC-type, for dispensing beverages. The present invention furthermore aims at a preform set for manufacturing a container, especially of a BIC-type container. The invention further aims at providing an alternative method for forming a beverage container. These aims are not extensive. Other aims can and will be fulfilled by the present disclosure.

In an aspect the present invention can be characterised by a container of a bag-in-container type, wherein a neck region of an outer container is provided with at least one opening extending substantially radially there through, into a space between the outer container and an

inner container adjacent thereto. The neck region can be provided with coupling elements, preferably at opposite sides of said at least one opening, seen in circumferential direction, for coupling of a connecting device to the container for introducing a pressure fluid through said at least one opening
5 into a space between the inner and outer container. Alternatively or additionally to the coupling elements the at least one opening can be provided with or forming part of a first coupler for coupling a pressure fluid feed line to said opening, for pressurising a space between the inner and outer container of the BIC container.

10 In another aspect the present invention can be characterised by a set of preforms for forming a container of a bag-in-container type, comprising an inner preform and an outer preform. A neck region of an outer preform is provided with at least one opening extending substantially radially there through, into a space between the outer preform and a part of
15 the inner preform adjacent thereto. The neck region can be provided with coupling elements, preferably at opposite sides of said at least one opening, seen in circumferential direction, for coupling of a connecting device to a BIC container after blow moulding of the preforms, for introducing a pressure fluid through said at least one opening into a space between the
20 inner and outer container. Alternatively or additionally to the coupling elements the at least one opening can be provided with or forming part of a first coupler for coupling a pressure fluid feed line to said opening, for pressurising a space between the inner and outer container of the BIC container.

25 In embodiments the first container has a neck portion and the second container is suspended in the first container, from the neck portion thereof. The neck portion of the second container can extend at least partly and preferably entirely within the first container, for example within the neck region of the first container. The container can for example be used in
30 an assembly which can further comprise a connecting device, connected or

connectable to the neck portion. The connecting device can then comprise at least one connecting element for connecting to the at least one opening, wherein the connecting element is connected to a source of a pressurising fluidum, preferably a pressurised gas.

5 Another aspect of the invention can be characterised by a method for forming a container, wherein a bag-in-container is blow moulded integrally from at least two super positioned preforms or an integral, multilayer preform, such that an outer container and an inner container or bag are formed. Prior to or after blow moulding the container a closure ring
10 can be provided, for example by spin welding the ring onto the inner and outer preforms, closing off a space between the inner and outer preforms and the containers blow moulded there from. Alternatively or additionally the two preforms or containers can be welded, especially spin welded or otherwise connected to each other at the neck regions, closing off the space
15 between the containers or preforms. At least one opening is provided in a peripheral wall of a neck region of one of the preforms and/or containers, preferably the outer preform and/or container, opening into said space, for introducing gas under pressure into said space and compressing the inner container within the outer container. After blow moulding the container the
20 inner container is filled with beverage and a valve is mounted in or on an opening in said ring, opening into said inner container.

 When connecting the preforms by a ring, which can be an integral part of one of the preforms or can be a separate ring, preferably at least one and more preferably two labyrinth shaped sections are formed, within the
25 neck region, preventing debris formed during welding, especially spin welding, from falling into the space between the inner and outer containers. Such debris, for example small pieces of plastic, could damage, especially puncture the inner and/or outer container, which is avoided by the labyrinth sections.

Preforms and preform assemblies will be discussed and disclosed for forming a container.

In order to further elucidate the present invention, embodiments thereof shall be disclosed and discussed hereafter, with reference to the drawings. Therein shows:

Fig. 1 in side view part of an assembly according to the disclosure, showing a neck region of a container with a connecting device, in a first embodiment;

Fig. 2 in side view part of an assembly according to the disclosure, showing a neck region of a container with a connecting device, in a second embodiment;

Fig. 3 schematically the embodiment of fig. 1 in connected position;

Fig. 4 schematically the embodiment of fig. 2 in connected position;

Fig. 5A - C a neck region of a container, in top view, cross sectional view and perspective view respectively;

Fig. 6 a cross sectional perspective view of a closure ring;

Fig. 7A and B in top view and in cross sectional view along the line A - A a preform assembly;

Fig. 7C and D in top view and in cross sectional view along the line A - A an alternative preform assembly;

Fig. 8 a detail of part of the preform assembly of fig. 7A and B, in cross section, showing a closure ring mounted to the preforms;

Fig. 8A a detail of part of the preform assembly of fig. 7C and D, in cross section, showing a closure ring mounted to the preforms;

Fig. 9 an exploded view of a preform assembly according to fig. 7A, B and 8;

Fig. 9A an exploded view of a preform assembly according to fig. 7C, D and 8A;

Fig. 10 and 10A a container, within in phantom lines showing the preform assembly from which the container is blow moulded;

Fig. 11 a detail in cross section of the neck region, comparable to fig. 8;

5 Fig. 11A a detail in cross section of the neck region, comparable to fig. 8A.

Fig. 12A and B an embodiment of a pre-form set, assembled and preassembling respectively;

10 Fig. 12C and D a cross sectional view of the assembly according to line B - B in fig. 12A and a detail of fig. 12C respectively;

Fig. 13A and B another embodiment of a pre-form set, assembled and preassembling respectively;

Fig. 13C and D a cross sectional view of the assembly according to line B - B in fig. 13A and a detail of fig. 13C respectively;

15 In this description embodiments are shown and disclosed of the invention, by way of example only. These should by no means be interpreted or understood as limiting the scope of the present invention in any way. In this description the same or similar elements are indicated by the same or similar reference signs. In this description embodiments of the present
20 invention shall be discussed with reference to carbonated beverages, especially beer. However, other beverages could also be used in the present invention.

In this description references to above and below, top and bottom and the like shall be considered, unless specifically stipulated differently, to
25 a normal orientation of a container standing on a bottom part and having a neck region comprising an orifice for filling and/or dispensing facing substantially upward. This is for example shown in the drawings, especially fig. 10, wherein top, bottom, up and down are indicated by arrows and appropriate wording, for indicative purposes only. This does not necessarily

reflect the orientation in which a tapping device of the present disclosure or parts thereof have to be used.

In this description a bag-in-container has to be understood as meaning at least a container comprising an outer holder and an inner
5 holder, wherein the inner holder is designed to hold a beverage and is more flexible or compressible than the outer holder. The outer holder can for example be a container, such as a bottle shaped container with a neck and a body, a box shaped holder or the like, whereas the inner holder can be a flexible container, such as a bag. The inner and/or outer holder can be made
10 of mono materials or blends, can be made entirely or partly by injection moulding and/or blow moulding, rotation moulding or the like. Preferably a bag-in-container according to the invention is made by integrally blow moulding. In embodiments the bag-in-container can be made by inserting at least one preform into another preform and then blow moulding them
15 together into a bag-in-container type container. In embodiments the bag-in-container can be made by over-moulding at least one preform forming a multi layered preform and then blow moulding them together into a bag-in-container type container. In embodiments a bag can be suspended inside an outer container, after forming the outer container and the bag separately, at
20 least in part.

In the present disclosure by way of example a bag in container (BIC) shall be described, integrally blow moulded from a preform set comprising two plastic preforms, super imposed, which should be understood as meaning that one of the preforms is inserted into the other,
25 after which they are together blow moulded in a known manner into a BIC. In embodiments prior to said blow moulding a closure ring is fitted over the preforms, connecting them together and closing off the space, which can also be referred to as interface or inter space, between the preforms, such that at least after blow moulding said space is or can be in communication with the
30 environment only through one or more openings provided in a neck region of

the container, especially an outward opening, extending through a wall of the neck region of the outer preform and/or container. The said at least one opening can be provided during manufacturing the preforms, especially during injection moulding thereof, but could also be provided later, for example by punching, drilling or otherwise machining. In embodiments the ring can be provided as an integral part of one of the preforms.

In this description a tapping assembly shall be described, comprising at least a connecting device, a container, especially a bag in container (BIC) type container and a tap or such device to which the container is to be coupled, as well as a source of pressurised gas, such as air. The tap and source of gas shall not be discussed explicitly, since these are commonly known in the art. In advantageous embodiments as a gas to be introduced into the container air can be used, for example pressurised by a compressor, connected to the connecting device by a gas line, especially an air hose. As pressure fluidum other gasses can however be used, such as CO₂, or another fluidum, such as water. The fluidum can be supplied in any suitable way, as is known in the art. As a tap any fixed or mobile tap can be used, depending on for example the tapping line used. In embodiments the tapping line can be a replaceable tapping line, especially a disposable tapping line, as for example used in Heineken's David® system, as for example disclosed in EP1289874 or US2004226967, in which case a tap can be used to which the tapping line can be releasably coupled, for example by an in-line valve or by forming a valve assembly of the hose valve type, or by a quick coupling type coupling. In other embodiments the tapping line used can be a fixed tapping line of a beverage dispense system. Both types of systems are well known in the art and shall not be further discussed.

Fig. 1 shows in a side view part of a first embodiment of a tapping assembly 1, showing a neck region 2 of a container 3, a gas connecting unit 4 of a connecting device 5, connected to a gas line 6, such as an air line or air hose, and a connector 7 connected to a tapping line 8, especially a flexible

tapping line. As will be discussed the gas connecting unit 4 can be connected to the neck region 2, whereas the connector 7 can be coupled to or at least over a valve 9 mounted in a closure ring 10 of the container 3. The container is a bag-in-container type container 3.

5 Fig. 2 shows in a side view part of a second embodiment of a tapping assembly 1, showing a neck region 2 of a container 3, a gas connecting unit 4 of a connecting device 5, connected to a gas line 6, such as an air line or air hose, and a connector 11 connected to a tapping line 8, especially a flexible tapping line. As will be discussed the gas connecting
10 unit 4 can be connected to the neck region 2, whereas the connector 1 can be coupled to the gas unit 4, in a position over a valve 9 mounted in a closure ring 10 of the container 3. The container is a bag-in-container type container 3.

 Alternative to the embodiment of fig. 2 the connector 11 could also
15 be integral to the connecting device 5. In embodiments disclosed preferably the tapping line 8 is provided with a valve spaced apart from or in the connector 11 for closing off the tapping line 8, such that when connecting the connecting device 5 to the container 3 and thereby opening the valve 9 as will be discussed, beverage will not flow out of the tapping line 8
20 unintended. Such valve can for example be as disclosed in EP1289874 or US2004226967, and as discussed here above.

 In the embodiments of fig. 1 and 2 the container 3 can be the same, whereas the connectors 7 and 11 can be different, the connector 7 of the first embodiment being designed basically for single use, i.e. for use with
25 one container only, disposable with the tapping line 8, although it could be reusable for different containers, whereas in the second embodiment the connector 11 is designed basically for repeated use, i.e. for use with a series of different containers 3. A connecting device according to this description can therefore comprise an air unit 4 and, depending on the intended use,
30 either one or both of the connectors 7, 11. The connector 7 of the first

assembly could be provided with and/or could be discarded with the container 3, such that for each subsequent container 3 a new connector 7 is used.

In fig. 1 and 2 schematically a tapping device 200 is shown, to which the tapping line 8 is connected in a known and suitable manner, such that when operating a tapping handle 201 of the tapping device 200, beverage from the container 3 can flow through the tapping line 8 and out of the tapping device 200.

Embodiments of the air unit 4 and container 3 shall be discussed in general, whereas the connectors shall be described with specific references to the relevant figures.

As can be seen in fig. 1 and 2 the container 3 can have an outer container 12 with a body 13, of which a shoulder portion is visible, having a substantially cylindrical neck 15 forming part of the neck region 2. The neck comprises a ring shaped flange 14 as is common in the art and can for example be used for engaging the preform from which the container is formed as well as the container during manufacturing, filling and/or further handling, whereas the flange 14 can also increase the rigidity of the neck 15. The neck 15 can further be provided with a number of coupling elements 16, preferably above the flange 14, which can cooperate with compatible coupling provisions of the gas unit 4. In an alternative embodiment, as shown in fig. 2, the connecting unit 4 can be coupled by engaging the flange 14, for example similar to known tapping handles.

As shown in fig. 1 and 2 and as is discussed further on in more detail, at least one opening 22 is provided in the neck region 11, for example in a wall of the neck of an inner or outer container or in a ring or flange connecting them, which opening opens into a space 28 between the inner and outer containers or inner and outer preforms.

In fig. 1 a pressure medium feeding line 6 can be connected to the at least one opening 22, for feeding a fluid, such as preferably gas under

pressure into the space 28, for pressurising said space and thereby compressing the inner container. In this embodiment a first coupler element 60 is provided in or by the opening 22, whereas the feeding line 6 is provided with a complementary second coupler element 61, for gas and/or fluid tight cooperation of the coupling elements 60, 61. In the embodiment shown the first and second coupling elements 60, 61 can be any type of suitable couplers, such as for example quick couplers as known in the art for realisably forming pressure connections. The coupler elements 60, 61 are preferably connected in such a way that they stay connected without external help, for example by press fitting, clicking, snap coupling, screw threads, bayonet coupling or the like. In an embodiment the opening 22 can be provided with such means, such as for example screw threads or bayonet coupling elements. The coupler 61 can thus be or be part of the coupling unit 4.

15 In the embodiment of fig. 1 the coupler element 61 is separate from the connector 7, such that they can be placed and/or removed independently from each other.

 In fig. 2 a tapping handle 67 as a connecting unit 4 is disclosed, schematically, which comprises, in a known manner, a horse shoe shaped coupling element 63 with two substantially parallel legs 64 fitting on opposite sides of the neck of the outer container, under the flange 14. An arm 66 is hingedly connected to the coupling element 63, such that it can be pushed over the top of the container, especially over a ring 10 and valve 9. At one end the legs 64 they are connected by a cross bar element 65, in which a coupler 61 is provided, extending into the space between the legs 64. The coupler 61 can be liquid and/or gas tightly connected to the opening 22, for example directly or by a coupler 60 provided in or by the opening 22, as described with reference to fig. 1. The connector 11 is pivotly mounted to the arm 66, such that when the arm 66 is pushed over the valve 9, the valve is or can be opened by the connector 11 and, at the same time or just prior to

it, the coupler 61 is coupled to the opening 22 or the coupler 60 provided therein or thereby. The arm 66 can be locked to the coupling element 63 in a known manner by a locking lever 68 biased by a spring or similar locking means.

5 In embodiments according to fig. 1 the opening and therefore the first coupler 60 can be provided in another position and can be formed such that the second coupler 61 can be coupled in a different direction, for example substantially parallel to the axis X - X of the container, as shown in fig. 1 in broken lines. In such embodiment with a tapping handle 67 both the
10 connector 11 and the coupler element 61 can be coupled by pushing the arm down over the valve. The coupler element 61 can be provided in or at least partly by the at least one opening 22, wherein the coupler element 60 comprises a channel including a bent between the container and an opposite end for coupling to the pressure medium feed line 6.

15 In these embodiments, if there is more than one opening 22, further openings can be closed off, for example by a stop. In embodiments in such second or further opening a pressure relieve valve can be provided for preventing overpressure in the space 28. In embodiments the first and/or second coupling elements 61, 62 can be provided with such over pressure
20 safety provision for releasing pressure fluid, especially gas from the coupling or space 28 when the pressure becomes higher than a set safety pressure.

Fig. 3 and 4 show schematically the embodiments of fig. 1 and 2 respectively in coupled condition. As can be seen in fig. 4 the connector 11 has a skirt 69 fitting over the wall 42 of the ring 10 (fig. 5) centring the
25 connector relative to the valve 9 and also locking the tapping handle 67 and thus the connector 61 into position.

In fig. 5 a neck region 2 of a container 3 is shown, whereas fig. 7 - 11 show a preform assembly 19 that can be used for forming such container as well as a container 3 as such.

The preform assembly 19 comprises an outer preform 20 and an inner preform 21, which is inserted into the outer preform 20. Both preforms 20, 21 are in the embodiment shown basically rotational symmetrical around a longitudinal axis X - X, though openings 22 as will be discussed
5 can be provided in discrete positions. Other shapes and dimensions would be possible too. The outer preform will, when blow moulded, form the outer container 12, whereas the inner preform 21 will by blow moulding form an inner container 35, which will be more flexible than the outer container 12 and may for example be a bag or balloon or such container.

10 The outer preform 20 has a neck or neck region 15, as indicated before, which on the inside is provided with a shoulder 23, for example at a longitudinal level substantially the same as an upper face 14A of the flange 14. The inner preform 21 has a neck or neck region 24, which is wider than a body forming portion 25 thereof, such that a shoulder 26 is formed which
15 can rest on the shoulder 23 of the outer preform 20. Thus an insertion depth is defined. As can be seen the shoulder 26 and the neck 24 of the inner preform 21 can be provided with spacer elements 27, such as teeth, channels or the like, such that at least at different peripheral positions gaps are maintained between the preforms at the neck and shoulder regions, in order
20 to prevent them from close contact, since such close contact could seal off the shoulders 23, 26 and necks 15, 24 or at least substantially prevent gas such as air passing the shoulders 23, 26 into the body 32 of the container, between outer and inner containers 12, 35.

In the embodiment shown the spacer elements 27 can comprise a
25 flange or ridge 121 extending outward from the outer surface of the neck region of the inner preform 21, for example approximately at a level of the lower end of or just below the outer wall part 49B of the groove 49, which has an outer diameter only slightly smaller than the inner diameter of the neck of the outer preform at the same level. This flange or ridge 121 thus
30 can form at least part of a shoulder 26 for resting on the shoulder 23 in the

outer preform 20. The flange or ridge 121 comprises at least one and preferably a number of cut-troughs 122. As is shown in fig. 9 this or these cut-troughs 122 can each be in communication with a channel 122A extending in an outer face of the inner preform and/or in an inner face of the outer preform, extending over at least part of a shoulder forming part 123 thereof. Upon blow moulding the BIC integrally from the preforms 20, 21 the shoulder forming part 123 will be expanded in radial and tangential direction, for forming a shoulder of the inner and outer containers. The cut troughs 122 and the channels 122A will remain open, even though the channels 122A will deform slightly, such that a clear passage for pressurised gas is obtained or maintained from the at least one opening 22 into the space 32 between the body forming portions of the inner and outer containers. As can for example be seen in fig. 8 and 11 the neck 24 of the inner preform 21 and the neck 15 of the outer preform 20 and/or outer and inner containers 12, 35 are connected to a closure ring 10, such that an air tight connection is provided between the neck 26 and the ring 10 and between the neck 15 and the ring 10. The ring 10 thus closes off the upper end of the space or interface 28 between the outer and inner preform 20, 21 or containers 12, 35 formed there from.

In the embodiments shown the ring 10 is mounted on the free ends 30, 31 of the respective necks 15, 26 of the outer 20 and inner preform 21 or containers 12, 35. The free ends 30, 31 are formed at a side of the respective necks 15, 26 at a side remote from the body 32 of the container 3. These free ends 30, 31 are positioned at first and second longitudinal levels A and B. Each level A, B can for example be represented as a plane substantially perpendicular to the longitudinal axis X - X. The levels A and B can coincide, but in the embodiment shown the level A at which the free end 30 of the outer preform 20 or outer container 12 lies is positioned at a higher longitudinal level A, that is further from the body 32 of the container

3 than the level B at which the free end 31 of the inner preform 21 or
container 35 formed therefore, which may be a bag, is positioned.

In the embodiment shown in fig. 7B the inner preform 21 can
have longitudinal length X_1 which is substantially smaller than the
5 longitudinal length X_2 of the outer preform 20, such that a substantial open
area is formed between bottom portions 33A, 33B of the inner 20 and outer
preform 21. This means that the outer longitudinal length of the inner
container below the neck region, including the bottom forming portion, is
considerably smaller than the inner longitudinal length of the outer
10 container below the neck forming portion. Thus when blow moulding the
preforms into a container, the inner preform 21 is likely to be stretched
longitudinally first, before the outer preform is stretched as well, which can
mean that the wall thickness of the body forming portion 28 of the inner
container 35 or bag formed is reduced more significantly than the wall
15 thickness of the outer container 12 when stretched. Moreover this may lead
to different material properties of the inner and outer containers formed,
even if the same material is used. The same material should be understood
as at least meaning the same type of plastic, even if they are different
grades of such plastic, or the same blends of plastics, wherein blends are at
20 least considered the same within the context of this application when they
contain substantially the same plastic materials in substantially the same
weight percentages. Substantially the same should be understood in this
context as at least meaning within 10% differences in weight ratios, wherein
substantially the same plastics should be understood as meaning that they
25 should comprise the same plastics, even if they are different grades,
whereas if they contain different plastics, the amount of difference may by
weight ratio not exceed 10 percent of the total weight of the preforms or
containers. In embodiments the inner and outer preform may be made of
different plastic materials. Release agents or the like may be provided
30 between the preforms and/or parts thereof. A substantial open area should

be understood as meaning that the area is seen in the longitudinal length direction of the preforms larger than strictly necessary for accommodating fabrication tolerances of the injection moulded preforms and possibly a stub formed at the bottom portion 33B of the inner preform, which is due to the injection point of the preform being present centrally at said bottom portion 33B. By way of example only, $(X2-X1)/X2$ could be in a range of for example between 0.1 and 0.3.

In the embodiment of fig. 7D the lengths X1 and X2 of the inner and outer preforms 21, 20 are chosen such that the bottom portion 33B of the inner preform 21 is close, preferably as close as possible to the bottom portion 33A of the outer preform 20 as physically possible, taking into account normal production tolerances for the preforms and alignment of the preforms relative to each other and for accommodating the stub resulting from the injection point of the inner preform 21. This can be understood that said lengths are a close to being equal as allowable. In embodiments this means that the difference in length X2 and X1 would be in the order of a few millimetres. The difference in length is preferably sufficient to allow relative rotation of the inner preform and the outer preform during spin welding steps. By way of example, which should not be understood as limiting the scope of the disclosure in any way, for a BIC having an internal volume for beverage of between 15 and 20 litres, the difference in length X2 and X1 could be less than 5 mm, for example less than 4 mm, at a total outer length of the outer preform 20 of for example about 250 mm. The relation $(X2-X1)/X2$ can be in the order of less than 0.1, for example about 0.05 or less.

By making the preforms 20, 21 substantially of the same length, the stretch ratios of the preforms 20, 21 during blow moulding them together into a BIC will be better controlled and more optimal for the material properties of both the inner and outer container. For example the inner container will be prevented from being over stretched. Over stretching the inner container could be detrimental to its strength and could make the inner container

prone to breaking. The outer container could be prevented from being under stretched. Under stretching of the outer container could lead to a container with insufficient stability necessary for performing its functions, such as but not limited to protecting the inner container and providing for a pressure
5 barrel in order to be able to squeeze the inner container by pressurising the space between the inner and outer container.

The plastic materials and processing parameters for especially blow moulding should be chosen such that the inner container 35 will release from the body 13 of the outer container 12 when the space 32 in
10 between them is pressurised to a pressure sufficient to properly dispense the beverage by squeezing at least part of the body portion of the inner container. The release pressure can be understood as the difference between the pressure of the fluidum, especially gas, such as air or CO₂ introduced into the space 32 between the inner and outer containers and the pressure
15 inside the inner container, for example provided by a carbonated beverage enclosed therein, such as but not limited to beer. This pressure difference preferably is relatively low, such as for example less than about 1 bar (1.10⁵ Pa), more preferably less than 0.5 Bar (0.5.10⁵ Pa), even more preferably less than 0.2 Bar (0.2.10⁵ Pa). A low release pressure will have
20 the advantage that the absolute pressure within the space 32 and therefore within the BIC can be kept relatively low, which can increase safety. For example a pressure in said space can be kept below 4 barg , more specifically less than 3 barg absolute. Preferably the outer and inner preforms 20, 21 or containers 12, 35 are not connected to each other over any substantial area
25 within the body 32.

As can be seen in for example fig 5, 8 and 11 at least one opening 22 can be provided, extending through the wall of the neck 15 of the outer container 12. In the embodiment shown there are two such openings 22, diametrically opposite each other. The opening or openings 22 is/are
30 positioned at a longitudinal level C between the levels A and B. i.e. above

the flange 14 and below the free end 30 of the outer preform 20 or container 12.

In embodiments the free ends 30, 31 are spaced apart over a longitudinal distance W. The closure ring 10, as is shown for example in fig. 5, 6, 7, 8, 8A, 11, 11A, 12A-D and 13A-D in more detail, can comprise a central opening 34, opening into the inner volume of the inner preform 21 or inner container 35, and is designed to hold a valve 9 as will be discussed. The closure ring 10 can be provided with an outer, first ring shaped portion or flange 36 that can be positioned on the free end 30 of the outer preform 20 or outer container 12, an intermediate or second peripheral ring shaped flange or portion 37 that can be positioned on the free end 31 of the inner preform 21 or inner container 35, and an inner or third peripheral ring shaped flange or portion 38. The outer and intermediate portions 36, 37 are connected by a first peripheral wall 39, extending upward from an outer edge 43 of the intermediate portion 37. The intermediate and inner portions 37 and 38 are connected by a second peripheral wall 40, extending downward from an inner edge 44 of the intermediate portion 37. From an inner edge 41 of the inner portion 38 a third peripheral wall 42 extends upward, forming or at least enclosing the opening 34. The walls 39, 40 and 42 can be considered as forming substantially concentric skirts. The second and third walls 40, 42 can be substantially parallel to each other and to the longitudinal axis X - X, whereas the first wall can slope slightly outward in upward direction.

The first wall 39 preferably extends directly adjacent the inner face 45 of the neck 15 of the outer preform 20 or container 12, such that the outer edge 43 is positioned above the shoulders 23 and 26, wherein the neck portion 24A of the neck 24 between the free edge 31 and the shoulder 26 is enclosed between the said edge 43 and the shoulder 23. Preferably at least at a lower end of the first wall 39, close to the edge 43 a gap is provided between the wall 43 and the inner face 45. The second wall 40 extends

preferably adjacent the inner face 46 of the neck 24 of the inner preform 21 or inner container 35. The inner portion 38 of the closure ring 10 can be positioned at the longitudinal level of the shoulder 23 and/or the flange 14. Thus the neck 24 of the inner preform 21 or container 35 is well enclosed.

5 The third or inner wall 42 can extend from the portion 38 upward to a level D substantially the same as level A, and preferably below a top surface 47 of the first or outer portion 37. The contact surfaces between the ring 10 and the free ends 30, 31 could have any suitable shape and configuration, and may depend on for example the method of connecting. In embodiments the

10 ring 10 can be connected to the preforms by mechanical or physical means, such as but not limited to press fitting, screw threads, bayonet coupling, glue, welding, over moulding or other suitable means. In the present disclosure especially welding is disclosed, more specifically spin welding, by way of example. Combinations of connecting techniques as discussed are

15 also possible. The configuration discussed hereafter is not limiting but may be advantageous for welding, especially spin welding.

In the embodiment as shown in for example fig. 7 C and D and fig. 8A and 11A the ring 10 is mounted substantially entirely within the neck portion of the outer container. In this embodiment the ring 10 is not

20 provided with the flange 36, or at least not such flange for resting on top of the neck of the outer container but is during spin welding forced into and fused with an internal portion of the neck of the outer preform 20.

In the embodiments shown the ring 10 and free ends 30, 31 of the preforms or containers form a labyrinth 32A type of connecting, which may

25 be beneficial because it can limit or even prevent debris coming from the plastic during spin welding or otherwise connecting the parts from entering into the space 28 and/or into the inner volume 48 of the inner preform 21 or inner container 35. In the embodiment shown the free edge 31 of the inner preform 21 and/or of the inner container 35 is provided with an annular

30 groove 49, between an inner wall portion 49A and an outer wall portion 49B,

open in upward direction, away from the body 32. From the intermediate portion 38 a skirt 50 extends downward, preferably a peripheral skirt, into the groove 49. The groove 49 is preferably somewhat deeper than the height 51 of the skirt 50, whereas the skirt may be slightly wider than the groove 49, at least over part of its height 51. In fig. 8 overlapping materials are shown at the top right hand corner of the groove, which may be used during spin welding, to merge the ring 10 and inner preform 21 or container 35. The free end 30 of the outer preform 20 and/or of the outer container 35 can be provided with a further annular or peripheral skirt 52, whereas the outer portion 37 of the ring may be provided, at the side facing said free edge 30, with an annular groove 53. The depth of the groove 53 may again be slightly larger than the height of the skirt 53 above the free end 30. During welding any material released from the ring 10 and/or the preforms 20, 21 or containers 12, 35 respectively may, at least to a large extent, be caught within the grooves 49, 53.

In the embodiment shown in fig. 7C and D and fig. 8A and 11A, a second labyrinth 32B type of connection is provided between the inner and outer preforms 21, 20 and the ring 10. In this embodiment the outer wall portion 49B of the groove 49 of the inner container 21 is extending further upward relative to the inner wall portion 49A thereof, forming a peripheral lip portion 49C inclined outward, such that the free edge 49D of said lip portion 49C is in close proximity of or in contact with the inner face 45 of the neck outer preform or outer container, preferably above the at least one opening 22, that is at a side of said at least one opening 22 facing towards the free ends 30, 31. In this embodiment any debris forming during connecting the ring 10, especially to the outer preform, for example by spin welding, or otherwise present at the ring will be caught by said lip portion 49C and will be trapped, prevented from entering into the space 32.

In the embodiment shown of the closure ring 10, the second wall 40 may be provided with engagement elements 54 for engaging the ring 10

during spin welding, in which the ring and preforms 20, 21 and/or containers 12, 35 are rotated relative to each other around the longitudinal axis X - X at such speed and pressure that the materials of the ring 10 and the preforms 20, 21 and/or containers 12, 35 at least partly melt and merge, such that a gas and liquid tight connection is obtained, as is schematically shown especially in the cross section of fig. 11. Spin welding as such is a technique well known in the art and is therefore not discussed herein in extenso. The engagement elements 54, here shown as teeth, enable an easy and firm grip of the closure ring 10.

10 In embodiments of a method of the disclosure the preforms 20, 21 and the ring 10 can be assembled prior to blow moulding. In embodiments they can be assembled directly or shortly after injection moulding of the preforms, and then stored and shipped to a filling station, where they can be blow moulded into a container directly prior to filling the container with a
15 beverage. In an alternative embodiment the preforms and the ring 10 can be shipped in a position in which the ring 10 is not connected to both preforms 20, 21 or at least not to one of them, such that the inner preform can be inserted into the outer preform directly prior to blow moulding the container, which would typically be close to or in line with a blow moulding
20 apparatus and a filling station for filling beverage into the container. An advantage thereof could be that when for example a release agent is used between the inner and outer preforms, for preventing at least in part adherence between the inner and outer containers, this release agent can be applied directly prior to blow moulding, which may prevent the release
25 agent from running, which could lead to an uneven distribution and therefore improper functioning of the release agent. Such release agent, which in itself is known in the art, could be applied for example by (dip)coating or spraying, for example using a silicon based material. In
embodiments the ring could be adhered to the inner preform first, and then
30 to the outer preform, for example after applying a release agent. In

embodiments the ring 10 can be part of the inner preform, at least in part. In embodiments the ring 10 can be adhered to the outer preform only after blow moulding the container from the set of preforms. In embodiments the inner preform could be blow moulded into a container blow moulded from
5 the outer preform.

When assembling the inner and outer preforms directly prior to blow moulding them into the container an advantage can be obtained that the preforms, and especially the inner preform, can be heated at least in part prior to inserting the inner preform into the outer preform, which
10 facilitates accurate heating of the preforms even further.

During blow moulding of a container 3 a tool of a blow moulding apparatus, such as for example a stretch rod, heating device or the like can be inserted through the opening 34 in the ring 10, if previously provided, wherein the opening 34 is preferably slightly larger than the relevant cross
15 section of the tool, such that pressure release of the inner volumes of the preforms is possible, at least partly passed the tool.

As can be seen in for example fig. 5, 8 and 11, the opening or openings 22 open into the space or interface 28 between the necks 15, 24 at a level just above the level B. In other words through such opening 22 the
20 wall 39 and/or a lip portion 49C if applicable is visible. Any gas such as air injected into and through the opening will therefore impinge onto said wall, which is relatively rigid, and be forced down towards the body 32. By providing the or each opening in the neck region 2, it is ensured that during blow moulding of the container 3 the opening or openings 22 will not be
25 deformed or displaced, since the neck region 2 will not deform during blow moulding.

As is shown in for example fig. 5, a valve 9, such as but not limited to an aerosol valve type valve as is commonly known in the art and for example described in WO00/35803 or EP1506129. The valve 9 is
30 mounted in a clinch plate 55, for example made of metal or plastic, which

can be clinched onto a upper end 56 of the inner wall 42. In the embodiment shown the valve 9 is a female type aerosol type of valve. Obviously also other such valves can be used, such as but not limited to male aerosol valves and/or tilting aerosol valves and the like. Any type of valve suitable for closing off the dispense opening and for being opened by the connecting device or connector or dispense adapter can be used in the present disclosure. The valve 9 preferably extends below the level 47 of the outer portion of the closure ring 10, such that the valve 9 is well protected. The valve 9 with clinch plate 55 closes off the opening 34 and thus the inner volume of the inner container 35. In embodiment the valve 9 can be connected to a dip tube 108. In the embodiment of fig. 3 such dip tube 108 is omitted. In this embodiment, which could be used with the container standing on its bottom and the valve 9 on top, the head space of the inner container will be emptied and removed immediately upon pressurising the container and opening the valve 9 for the first time, such that after that the entire remaining volume of the inner container will be filled with beverage when pressurised sufficiently, improving the tapping behaviour and the quality of the beverage. In this embodiment a valve body 130 of the valve 9 is biased in a manner known from for example aerosol valves, against a seal 131 by a spring enclosed within a housing 132. In this embodiment the housing is provided with relatively large side openings 133 for not unduly restriction the flow when the valve 9 is opened.

A unit 4 could be provided solely with such connecting element for connecting a gas supply to the opening 22. In such embodiment the container is preferably only provided with one opening 22, or the unit is provided with a sealing element for sealing the or each further such opening 22.

In fig. 10 and 10A schematically a container is shown in side view, with in broken lines the preforms 20, 21 from which the container has been blow moulded integrally. In fig. 10 the bottom of the container has a

petaloid shape, as known in the art. In the embodiment of fig. 10A the bottom is hemispherical. Especially but not exclusively in the latter embodiment the container can be packaged in a outer package such as a box, for example made of cardboard, fibre board, plastic or wood, for supporting and protecting the container and/or for enabling stable positioning of the container during for example transport, storage and dispensing and other use.

As can be seen in fig. 1 and 3, in the first embodiment the connector 7 can be connected directly to the valve 9, for example by fitting the connector 7 to the closure ring 10, especially to the third wall 43 and/or to the clinch plate 55. In the embodiment shown to that end the connector 7 has a substantially dome shaped housing 100 with a rim portion 101 that fits as a snap fitting over the outer edge 102 of the clinch plate 55 and snaps below said edge 102, against the wall 43. Preferably this snap fit is such that the dome and thus the connector 7 cannot be removed, once fitted, without damage to the connector 7 and/or the ring 10 and/or the clinch plate 55, preferably such that proper refitting the connector 7 to the same or a different container 3 is prohibited. The connector 7 comprises a stem 103 that engages the valve 9, such that the valve 9 is opened and beverage can flow from the inner container 35 through the valve into the stem 103, to further flow into a tapping line connected thereto, to be fed to a tap for dispensing. By fitting the connector 7 properly to the container 3, especially over the valve 9, the valve is thus opened and preferably cannot be opened and closed repeatedly. The connector can be fitted prior to placing the unit 4 on the container 3, or after such placing of the unit 4.

As can be seen in fig. 2 and 4 in the second embodiment the connector 11 can be positioned over the valve 9 and clinch plate 55 by pushing down the arm 66. The connector 11 comprises a stem 103 extending downward, within the skirt 69. In embodiments the connector 11 may be integral to the arm, such that when placing the tapping handle 67 also the

connector 11 is placed. In other embodiments the connector may be releasably connected to the tapping handle 67, such that for example first the tapping handle 67 can be placed and locked onto the container and then the connector is connected to the tapping handle 67 and/or container 3. The stem 103 again acts on the vale 9 for opening it and allowing beverage to be passed from the inner volume of the inner container 35 to a tapping line 8 connected to the connector 11. The tapping line can be part of a tapping device with for example an in line cooler 106, schematically shown in fig. 2 in part. In this embodiment a non-return valve can be provided in the connector 11, for example a ball valve 70, preventing backflow from the tapping line 8.

When the placement or removal of the connector 7, 11 is or at least can at least partly be independent from placing and/or removing of the unit 4 onto or from the container, the connector, especially connector 11 can be removed from the container, for example for cleaning, without decompression of the container.

In the embodiments shown the outer preform 20 has a body forming portion which is substantially cylindrical with a longitudinal axis X - X and closed off at the bottom by a bottom forming portion. The cylindrical portion has a maximum cross section or maximum diameter D_b and preferably a substantially constant outer diameter D_b over its cylindrical length L_b between the flange 14 and the bottom forming portion, wherein the body forming portion may have a draft over said length L_b , suitable for release from an injection moulding mould, as is known to the person skilled in the art. The maximum diameter D_b is preferably smaller than that of the flange 14, if applicable. The neck portion or region preferably is also substantially cylindrical with a longitudinal axis X-X substantially coinciding with the longitudinal axis of the body forming portion. The substantially cylindrical part of the neck region has an average outer diameter $D_n(\text{out})$ which is larger than the maximum diameter D_b . In the

embodiment shown the neck portion has a substantially constant outer diameter $D_n(\text{out})$ above the flange 14. The wall thickness of the neck region of the outer preform 20 is preferably slightly smaller than that of at least most of the body forming portion. In the embodiment shown the inner

5 surface 45 of the neck region of the outer preform is positioned above and substantially coinciding with the outer surface of the body forming portion of said preform 20, or positioned only slightly inward, providing for the shoulder on which the inner container can be supported. The inner surface of the body forming portion of the outer preform 20 slopes inward over a

10 part directly adjacent the flange 14. The wall part comprising the sloping surface will during blow moulding form at least most of a shoulder of the outer container. Over at least part of this sloping surface and/or the facing surface part of the adjacent inner container spacing elements and/or channel forming parts are provided which remain at least partly open

15 during and after blow moulding the container from the preforms, allowing gas to be inserted from said at least one opening 22 into the space between the body forming portions of the container. Such outer preform can be manufactured easily, by injection moulding, without complicated movable parts in the mould. Only for forming the at least one opening and the

20 coupling elements at least one part has to be provided in the injection moulding mould moving in a direction different from a direction parallel to the longitudinal axis X - X of the preforms. In the embodiments shown the coupling elements 16 are provided substantially as tubular elements 16 having a release direction in a mould parallel to the release direction of the

25 at least one opening 22, such that they can easily be formed by the same mould part.

In fig. 12A - D an embodiment of a preform assembly 19 is shown again, in longitudinal section through a mid sectional plane along the line A - A in fig. 12C, in both assembled condition (fig. 12A) and pre assembling

(fig. 12B) and, in fig. 12C, in cross section along the line B - B in fig. 12A. Fig. 12D shows a detail of fig. 12C.

In fig. 13A - D an embodiment of a preform assembly 20 is shown again, in longitudinal section through a mid sectional plane along the line A - A in fig. 13C, in both assembled condition (fig. 13A) and pre assembling (fig. 13B) and, in fig. 13C, in cross section along the line B - B in fig. 13A. Fig. 13D shows a detail of fig. 13C.

These preform assemblies can for example be similar to the assembly according to fig. 7. Only some details will be discussed herein, whereas for the further description reference is made to the earlier descriptions of the preform assembly 19 and parts thereof, including the closure ring 10.

Fig. 12B shows the outer preform 20, the inner preform 21 and the closure ring 10, aligned for assembling. In fig. 12B the shoulder forming part 123 of the inner preform 21 is only partly cut away, such that the cut through 122 and the spacing elements and/or channel forming parts 122A can be clearly seen in side view. The neck region 24 with the shoulder 26 is shown, being wider than the body forming portion 25. The shoulder forming part 123 is slightly frusto conical, widening from the body forming portion 25 to the neck region 24. In the outer periphery of the neck region 24 at least one, and in the embodiment shown two diametrically opposed cut outs 22 are provided, though the neck region 24, extending in longitudinal direction thereof and open to the peripheral surface. On the outer surface of the shoulder forming portion 123 of the inner preform 21 directly below the cut out 122 spacer elements 27 are provided, formed by two adjacent ribs 122B enclosing a channel 122A there between. This channel 122A extends from the cut out 122 towards at least near and preferably passed the end of the shoulder forming portion 123 at the side of the body forming portion 25. Thus it is prevented that when blow moulding the container from the assembly, the outer preform 20 can fully engage the outer surface of the

shoulder forming part 123 of the inner container, thus obstructing a pressure fluidum from entering into the space the between the then formed inner and outer containers.

By providing two diametrically opposed cut throughs 122 and adjacent channels 122A, the spacer elements 27 can be formed relatively
5 easy in mold parts releasing to two opposite sides. When assembled, as can be seen in fig. 12A and B, the outer surface of the inner preform and the inner surface of the outer preform will be spaced apart mostly, over a distance approximately similar to the radial height of the ribs 122B. The
10 ribs 122B are placed relatively close together, such that the channel 122A will remain open, even after blow moulding the container.

When assembling the preforms 20, 21, preferably the cut throughs 122 and adjacent channels 122A are positioned such that the openings 22
open adjacent said cut throughs 122. However, as can be seen in fig. 12B,
15 the shoulder 23 on which the shoulder 26 can rest can be provided with a stepped surface such that there will always be sufficient openings between the shoulders 23, 26 for allowing a pressure fluid to proceed from the opening 22 or openings 22 into the channel or channels 122A and into the space between the inner and outer preforms. In this embodiment again the
20 length X1 of the inner preform is significantly smaller than the length X2 of the outer preform 20, as shown and discussed with reference to fig. 7A, for the same or similar reasons.

In fig. 13 an alternative embodiment of a preform assembly is shown, both pre assembling (fig. 13B) and in assembled condition (fig. 13A)
25 In this embodiment the spacing elements 7 are primarily formed on the inner surface of the outer preform 20, at least in the shoulder forming part 23 thereof. In the embodiment shown again, as discussed with reference to fig. 12, the elements 7 can be formed as channels 122A between adjacent ribs 122B, which channels open in lower parts 7A of a stepped surface 7b of
30 the shoulder 23 on which the shoulder 26 of the inner preform 20 can come

to rest. In this embodiment there are several such channels 122A, preferably more than two, for example six, spaced around the periphery of the inner surface of the shoulder forming portion, 23, as shown in fig. 13C. By increasing the number of channels 122A the area for allowing a pressure medium to flow from the opening or openings 22 is increased, better ensuring proper pressurising of the space between the inner and outer containers after blow moulding. Moreover, these channels can be more easily maintained at least in part during blow moulding, due to their positioning on the outer preform 20. By providing them on the inner surface of the outer preform it is easier to manufacture a multitude of such channels. During blow moulding the inner preform may be heated to a higher temperature, which could be detrimental to the channels if they are provided on the inner preform. The inner preform will be more fluid during blow moulding, which would reduce the accuracy of the shape of the ribs and thus of the remaining channel. Especially since during blow moulding the pressure exerted for forming the container will be from the inside out, meaning that the inner preform will be pushed against the inner surface of the outer preform. Again, providing the ribs and channels on the outer preform will then be advantageous for maintaining the proper profiles of the ribs and channels.

In the embodiments shown the height H of the ribs 122B can be similar to the radial distance between the preforms 20, 21 in the neck region and/or shoulder forming part 23 of the preforms, for example a few millimetres.

In this embodiment the lengths X1 and X2 are again as similar as possible, as described with reference to fig. 7D, for the same or similar reasons.

Obviously the configuration of the elements 7 and/or the neck region configuration of fig. 13 could be used in a set of preforms according to fig. 12 or vice versa, or in the embodiments of fig. 7.

It is preferred that the spacing elements and/or channel forming parts 122 are at least mainly formed on the inside surface of the outer preform 20, at least in the shoulder forming part or region 123 thereof. This can have a number of advantages, including but not limited to that the wall thickness of the outer preform may be larger, that during blow moulding there may be less deformation in the outer preform, especially in the shoulder forming part or region 123, so that the shape and dimensions of the spacing elements and/or channel forming parts 122 will be maintained more easily. Moreover, when the shoulder forming part 123 widens in the direction of the open upper end 30, these spacing elements and/or channel forming parts 122 can easily be formed by a releasing core of an injection moulding mould, providing sufficient draft. Moreover, by providing them on the outer preform there may be less stress in the container formed,

In the embodiments shown gas or such pressure fluid will be introduced in a substantially radial direction A_{in} of the neck portion of the container, i.e. at an angle α relative to the axis X - X of the neck, which angle α preferably is between 30 and 150 degrees, more preferably between 45 and 135 degrees and more preferably about 90 degrees. By this direction the safety of the assembly can be increased, for example because the pressure exerted by the gas is not in a direction in which the connecting device can be removed from the container. Moreover, the direction is such that the gas will aid in providing passage for the gas into said space between the containers. Furthermore by providing the at least one opening in a wall of the neck region the gas inlet will not interfere with the positioning of the beverage dispense line or tube or the removal thereof. By providing an over pressure safety in the connecting device overpressure in the container can be avoided and/or resolved easily. By providing the at least one inlet opening 22 at a level such that it faces a wall part of the ring, i.e. for example at a level above the free end of the inner container 21, it is further ensured that the passage of gas between the opening 22 and the

space 32 between the containers is not obstructed. In the embodiments shown having the lip portion 49C gas flow will be directed by the sloping surface of the lip portion 49C towards the space 32.

In embodiment the source of the pressurised gas can be or at least
5 can comprise a compressor for air. Preferably the direction of the
compressor is reversible, such that when the inner container 35 is emptied
to a desired extend, the air can be sucked from the space 28 through the
relevant opening 22, with the valve 9 still closed, which would lead to
reducing the volume of the container since the outer container 12 will be
10 compressed by pressure reduction within it. This will significantly reduce
the volume of the container to be discarded.

The invention is by no means limited to the embodiments
specifically disclosed and discussed here above. Many variations thereof are
possible, including but not limited to combinations of parts of embodiments
15 shown and described. For example the at least one opening 22 can be
provided in a different position, for example extending through the ring 10,
preferably in substantially radial direction outward, for example through
the inner surface 39 or wall 40 of the ring, into the space 32 between the
containers, wherein the connecting device can extend into the ring for
20 communicating properly with said at least one opening. The container can
be provided with only one opening in the neck or several such openings. In
embodiments the ring 10 can be left out in part or entirely, wherein the unit
4 can be fitted directly over the neck of the container, closing off to the neck
gas tightly, such that gas can be inserted directly into the space 28. Before
25 use the said space 28 could be sealed off by a lid or seal, for example to be
pierced by or be removed prior to attaching the unit 4, which may be fitted
for example under or onto the protrusions 16.

Conclusies

1. Houder van een zak-in-houder-type, waarbij een halsgebied van de houder is voorzien van ten minste één opening die zich in hoofdzaak radiaal daar doorheen uitstrekt, tot in een ruimte tussen de buitenste houder en een binnenste, daar nabijgelegen houder, waarbij:
- 5 - het halsgebied is voorzien van koppel-elementen, bij voorkeur aan, in omtreksrichting gezien, tegenoverliggende zijden van de genoemde ten minste ene opening, voor het koppelen van een verbinding-sinrichting met de houder voor het door de genoemde ten minste ene opening inbrengen van
- 10 - de ten minste ene opening is voorzien van of onderdeel vormt van een eerste koppel-middel voor het met de genoemde opening koppelen van een drukfluidumtoevoerleiding,
- 15 voor het regelen van de druk van een ruimte tussen de binnenste en buitenste houder.
2. Houder volgens conclusie 1, vervaardigd door blaasvormen vanuit ten minste een binnenste en een buitenste kunststof preform, waarbij de binnenste en buitenste preform bij voorkeur integraal zijn geblaasvormd om
- 20 de zak-in-houder-type houder te vormen, zodanig dat de buitenste preform ten minste een deel van de buitenste houder vormt en de binnenste preform ten minste een deel van de zak of binnenste houder vormt, en waarbij een afsluitring is voorzien op de binnenste en buitenste houder, welke ten minste de ruimte tussen de genoemde binnenste en buitenste houder afsluit.
- 25 3. Houder volgens conclusie 2, waarbij de buitenste houder en binnenste houder respectievelijk eerste en tweede halsgebieden hebben,

waarbij de ring is verbonden met de vrije uiteinden van de eerste en tweede halsgebieden, bij voorkeur door middel van lassen.

4. Houder volgens één van de conclusies 1 - 3, waarbij de zak is opgehangen met een halsgebied van de zak in het halsgebied van de
5 buitenste houder, waarbij de halsgebieden beide een vrij uiteinde hebben tegenover een lichaamsgedeelte van de houder, waarbij een afsluitring is bevestigd aan de vrije uiteinden van de binnenste en buitenste houder, bij voorkeur door middel van lassen, waarbij een rand van het vrije uiteinde van het halsgebied van de binnenste houder op een niveau dicht bij het
10 lichaamsgedeelte van de houder ligt dan een rand van het vrije uiteinde van het halsgebied van de buitenste houder, zodanig dat de ring zich ten minste gedeeltelijk in het halsgebied van de buitenste houder uitstrekt.

5. Houder volgens conclusie 3 of 4, waarbij de ten minste ene opening in het halsgebied is geplaatst op een niveau tussen de vrije uiteinden van de
15 halsgebieden van de binnenste en buitenste houder waarmee de ring verbonden is.

6. Houder volgens één van de voorgaande conclusies, waarbij de binnenste houder bij het halsgebied is voorzien van een naar buiten gekeerde flens, die een rand heeft welke is geplaatst nabij of rakend aan een
20 binnenoppervlak van de buitenste houder boven de ten minste ene opening, welke in hoofdzaak de ruimte afsluit tussen de halsgebieden van de binnenste en buitenste houder, voor het voorkomen dat vuil de ruimte tussen de binnenste en buitenste houder binnengaat, in het bijzonder tijdens het bevestigen van een afsluitring aan de binnenste en/of buitenste
25 houder.

7. Houder volgens één van de conclusies 1 - 6, waarbij de binnenste houder een vrije rand heeft tegenover een lichaamsgedeelte van de houder, welke vrije rand is voorzien van een ringvormige groef die open is naar de zijde tegenover het lichaamsgedeelte, en waarbij een ring bevestigd is aan

de vrije rand, welke een ommanteling heeft die zich uitstrekt in de genoemde groef.

8. Houder volgens één van de conclusies 1 - 7, waarbij de of een ring door middel van rotatielassen is bevestigd aan de binnenste en buitenste
5 houder.
9. Houder volgens één van de conclusies 1 - 8, waarbij de of een ring is voorzien van een opening die uitmondt in de zak of binnenste houder, welke opening is afgesloten door een klep, bij voorkeur een aerosoltype klep, en/of een klep welke aan de ring is bevestigd door middel van clinchen.
- 10 10. Houder volgens één van de conclusies 1 - 9, waarbij de ring is voorzien van ten minste één omtrekswanddeel, welke zich bij voorkeur in hoofdzaak evenwijdig aan een langsas van de houder of ten minste van het halsgebied daarvan uitstrekt, waarbij tanden zijn voorzien op het genoemde wanddeel voor het aangrijpen op een rotatielaswerktuig.
- 15 11. Houder volgens één van de conclusies 1 - 10, waarbij ten minste één van de binnenste en buitenste preforms is voorzien van afstandhouders, ten minste in een overgangsgebied tussen de halsgebieden en het lichaamsgedeelte van de houder, welke nauw contact tussen ten minste een deel van het binnenoppervlak van de buitenste houder en het
20 buitenoppervlak van de binnenste houder voorkomen.
12. Houder volgens één van de voorgaande conclusies, waarbij een koppelmidelement is voorzien in of ten minste gedeeltelijk door de ten minste ene opening, waarbij het koppelmidelement een kanaal omvat welke een bocht heeft tussen de houder en een tegenovergelegen uiteinde
25 voor het koppelen met een drukmiddeltoevoerleiding.
13. Set preforms voor het vormen van een houder volgens één van de conclusies 1 - 12.
14. Set preforms voor het vormen van een houder van een zak-in-houder-type, omvattende een binnenste preform en een buitenste preform,

- waarbij een halsgebied van één van de preforms, bij voorkeur een buitenste preform is voorzien van ten minste één opening die zich in hoofdzaak radiaal daar doorheen uitstrekt, tot in een ruimte tussen de buitenste preform en een daar nabijgelegen deel van de binnenste preform, waarbij
- 5 het halsgebied is voorzien van ten minste één van
- koppellementen, bij voorkeur aan, in omtreksrichting gezien, tegenoverliggende zijden van de genoemde ten minste ene opening; en
 - een koppelmiddlelement dat in of gedeeltelijk door de
- 10 ten minste ene opening is gevormd,
- voor het koppelen van een drukmiddeltoevoerleiding met een BIC-type houder na het blaasvormen van de preforms,
- voor het door de genoemde ten minste ene opening inbrengen van een drukfluidum in een ruimte tussen de binnenste en buitenste houder.
- 15 15. Set preforms volgens conclusie 13 of 14, waarbij de binnenste en buitenste preform voor bij voorkeur integraal blaasvormen zijn om de zak-in-houder-type houder te vormen, waarbij een afsluitring is bevestigd op de binnenste en buitenste houder, welke ten minste de ruimte tussen de binnenste en buitenste houder afsluit.
- 20 16. Set preforms volgens conclusie 15, waarbij de buitenste preform en binnenste preform respectievelijk eerste en tweede halsgebieden hebben, waarbij de ring is verbonden met de vrije uiteinden van de eerste en tweede halsgebieden, bij voorkeur door middel van lassen.
17. Set preforms volgens één van de conclusies 13 - 16, waarbij de
- 25 binnenste preform met een halsgebied van de binnenste preform in de buitenste preform is opgehangen, waarbij de halsgebieden beide een vrij uiteinde hebben tegenover een lichaamsgedeelte, waarbij een afsluitring is bevestigd aan de vrije uiteinden van de binnenste en buitenste preform, bij voorkeur door middel van lassen, waarbij een rand van het vrije uiteinde

- van het halsgebied van de binnenste preform op een niveau dichter bij een bodemvormend gedeelte van de buitenste preform ligt dan een rand van het vrije uiteinde van het halsgebied van de buitenste preform, zodanig dat de ring zich ten minste gedeeltelijk in het halsgebied van de buitenste preform uitstrekt.
- 5 18. Set preforms volgens conclusie 16 of 17, waarbij de ten minste ene opening in het halsgebied is geplaatst op een niveau tussen de vrije uiteinden van de halsgebieden van de binnenste en buitenste preform waarmee de ring verbonden is.
- 10 19. Set preforms volgens één van de conclusies 13 - 18, waarbij de binnenste preform bij het halsgebied is voorzien van een naar buiten gekeerde flens, die een rand heeft welke is geplaatst nabij of rakend aan een binnenoppervlak van de buitenste preform boven de ten minste ene opening, welke in hoofdzaak de ruimte afsluit tussen de halsgebieden van de
- 15 binnenste en buitenste preform, voor het voorkomen dat vuil de ruimte tussen de binnenste en buitenste preform binnengaat, in het bijzonder tijdens het bevestigen van een afsluitring aan de binnenste en/of buitenste preform.
- 20 20. Set preforms volgens één van de conclusies 13 - 19, waarbij de binnenste preform een vrije rand heeft tegenover een bodemvormend gedeelte, welke vrije rand is voorzien van een ringvormige groef die open is naar de zijde tegenover het bodemvormende gedeelte, en waarbij een ring bevestigd is aan de vrije rand, welke een ommanteling heeft die zich uitstrekt in de genoemde groef.
- 25 21. Set preforms volgens één van de conclusies 13 - 20, waarbij de of een ring door middel van rotatielassen is bevestigd aan de binnenste en/of buitenste preform.
22. Set preforms volgens één van de conclusies 13 - 21, waarbij de of een ring is voorzien van een opening die uitmondt in de binnenste preform,

die voldoende groot is voor het inbrengen van een blaasvormkernwerktuig, zoals een rekstang, in de binnenste preform tijdens het tot een BIC-type houder blaasvormen van de preforms en voor drukontlasting die het genoemde werktuig is gepasseerd.

- 5 23. Set preforms volgens één van de conclusies 13 - 22, waarbij een ring is voorzien van ten minste één omtrekswanddeel, welke zich bij voorkeur in hoofdzaak evenwijdig aan een langsas van de preforms of ten minste van het halsgebied daarvan uitstrekt, waarbij tanden zijn voorzien op het genoemde wanddeel voor het aangrijpen op een rotatielaswerktuig.
- 10 24. Set preforms volgens één van de conclusies 13 - 23, waarbij de binnenste en buitenste preform elk een lichaamvormend gedeelte hebben dat zich vanaf het respectievelijke halsgebied uitstrekt, waarbij de genoemde lichaamvormende gedeelten bodemvormende gedeelten omvatten, waarbij een longitudinale buitenlengte van het lichaamvormende gedeelte
- 15 van de binnenste preform in hoofdzaak gelijk is met een longitudinale binnenlengte van het lichaamvormende gedeelte van de buitenste preform.
25. Set preforms volgens één van de conclusies 13 - 24, waarbij de buitenste preform een in hoofdzaak cilindrische lichaamvormend gedeelte heeft dat zich uitstrekt vanaf het halsgebied, welke ten minste gedeeltelijk
- 20 in hoofdzaak cilindrisch is, waarbij het lichaamvormende gedeelte en het halsgebied bij voorkeur samenvallende lengteassen hebben, waarbij een maximale buitenste doorsnede van het lichaamvormende gedeelte kleiner is dan een gemiddelde doorsnede van het in hoofdzaak cilindrische gedeelte van het halsgebied.
- 25 26. Set preforms volgens conclusie 25, waarbij een flens is voorzien tussen het in hoofdzaak cilindrische gedeelte van het halsgebied en het lichaamvormende gedeelte van de buitenste preform.
27. Set preforms volgens conclusies 25 of 26, waarbij het halsgebied van de buitenste preform is voorzien van een binnenwaarts reikende

5 schouder, waarbij de binnenste preform een buitenwaarts reikende flens heeft, welke nabij de genoemde schouder ligt of er ten minste gedeeltelijk op rust, waarbij de genoemde flens en/of de genoemde schouder bij voorkeur ten minste één afstandhouder of doorgang omvat voor het verschaffen van een doorgang tussen de flens en de schouder.

28. Set preforms volgens conclusies 26 en 27, waarbij de schouder is voorzien op een niveau dat in hoofdzaak hetzelfde is als het niveau van de flens.

10 29. Set preforms volgens één van de conclusies 13 - 28, waarbij ten minste één van de binnenste en buitenste preform is voorzien van afstandhouders, ten minste in een overgangsgebied tussen de halsgebieden en het lichaamsgedeelte van de houder, welke nauw contact tussen ten minste een deel van het binnenoppervlak van de buitenste houder en het buitenoppervlak van de binnenste houder voorkomen.

15 30. Werkwijze voor het vormen van een set preforms voor het integraal blaasvormen van een BIC-type houder, waarbij een binnenste preform in een buitenste preform wordt ingebracht, waarbij de binnenste preform met de buitenste preform wordt verbonden door middel van ten minste een ring, welke gelast of gelijmd wordt aan een vrij uiteinde van ten minste één van
20 de binnenste en buitenste preform, waarbij de ring een integraal deel kan zijn van of kan worden verbonden met de andere van de binnenste en buitenste preform, zodanig dat een ruimte tussen de binnenste en buitenste preform afgesloten wordt door middel van de genoemde ring en waarbij ten minste één opening door een halsgebied van de binnenste preform of
25 buitenste preform is voorzien, welke uitmondt in de genoemde ruimte en zich bij voorkeur in hoofdzaak radiaal uitstrekt door een wand van het genoemde halsgebied.

31. Werkwijze voor het vormen van een BIC-type houder met gebruik van een set preforms volgens één van de conclusies 13 - 29 of een werkwijze

volgens conclusie 30, waarbij een deel van een blaasvormwerktuig wordt
ingebracht in de binnenste preform door een opening in een of de ring die
een ruimte afsluit tussen de binnenste en buitenste preform, en het
integraal blaasvormen van de set preforms tot de houder, waarbij bij
5 voorkeur drukequilibratie tussen de genoemde ruimte en de omgeving van
de houder door de genoemde ten minste ene opening in het halsgebied wordt
toegestaan, ten minste tijdens het blaasvormen van de houder.

32. Tapsamenstel voor een drank, omvattende een houder volgens één
van de conclusies 1 - 12 of gevormd vanuit een set preforms volgens één van
10 de conclusies 13 - 29 of met gebruik van een werkwijze volgens conclusie 30
of 31, waarbij het samenstel verder een koppelmiddlelement omvat, dat
verbonden of verbindbaar is met een koppelmiddlelement dat ten minste
gedeeltelijk is gevormd door of voorzien is in de ten minste ene opening,
waarbij het verbindingsselement is verbonden met een bron van gas onder
15 druk.

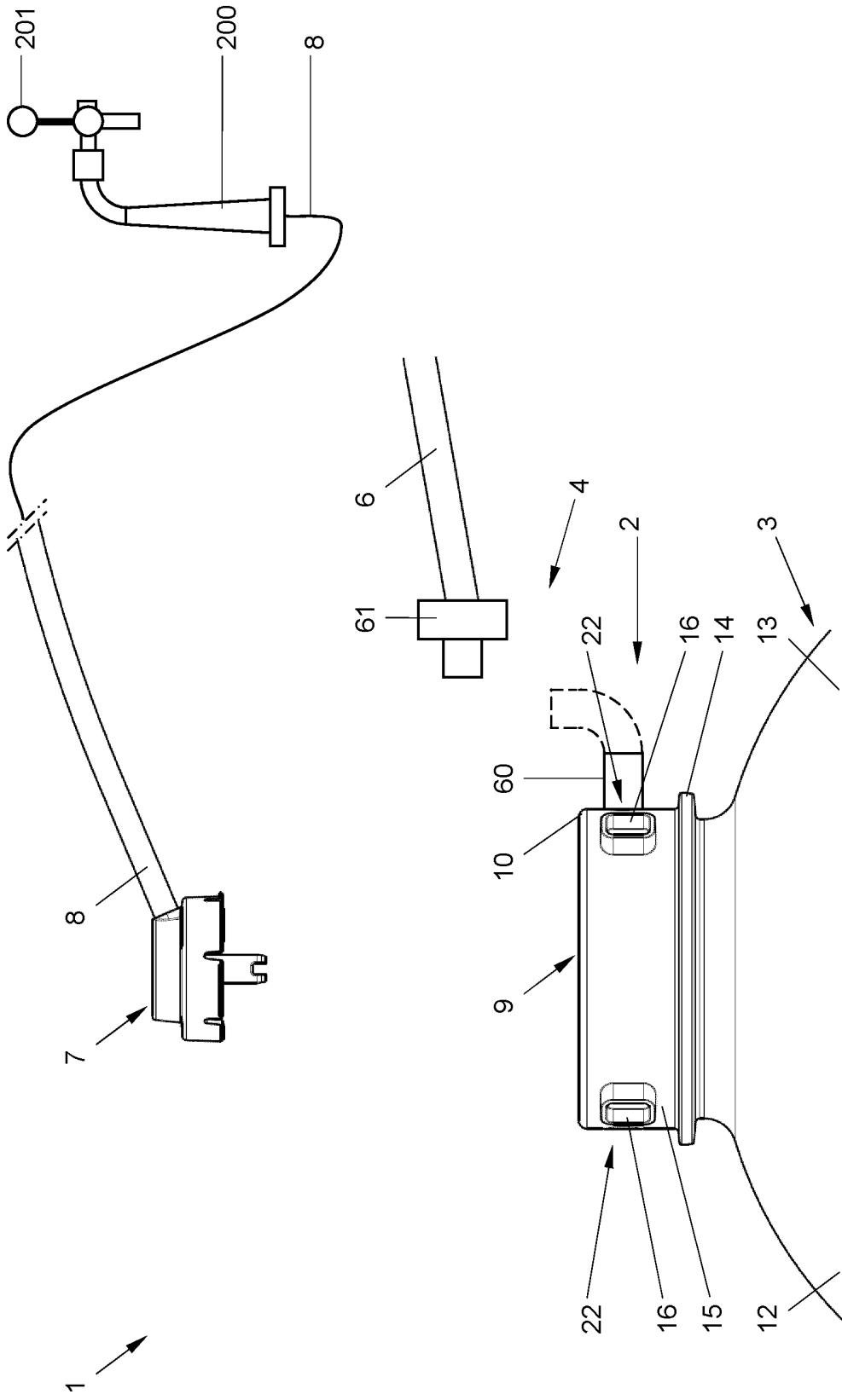


Fig. 1

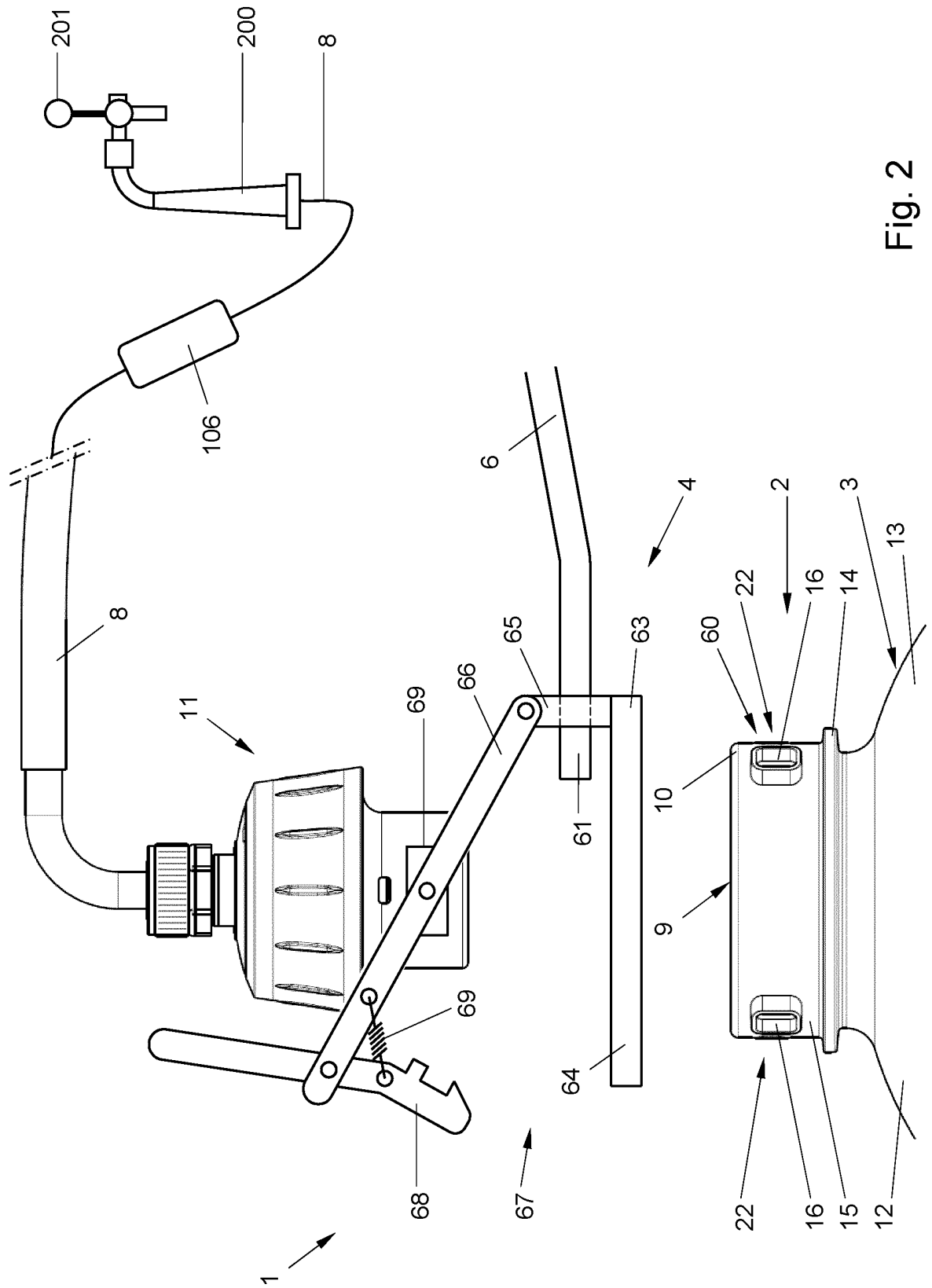


Fig. 2

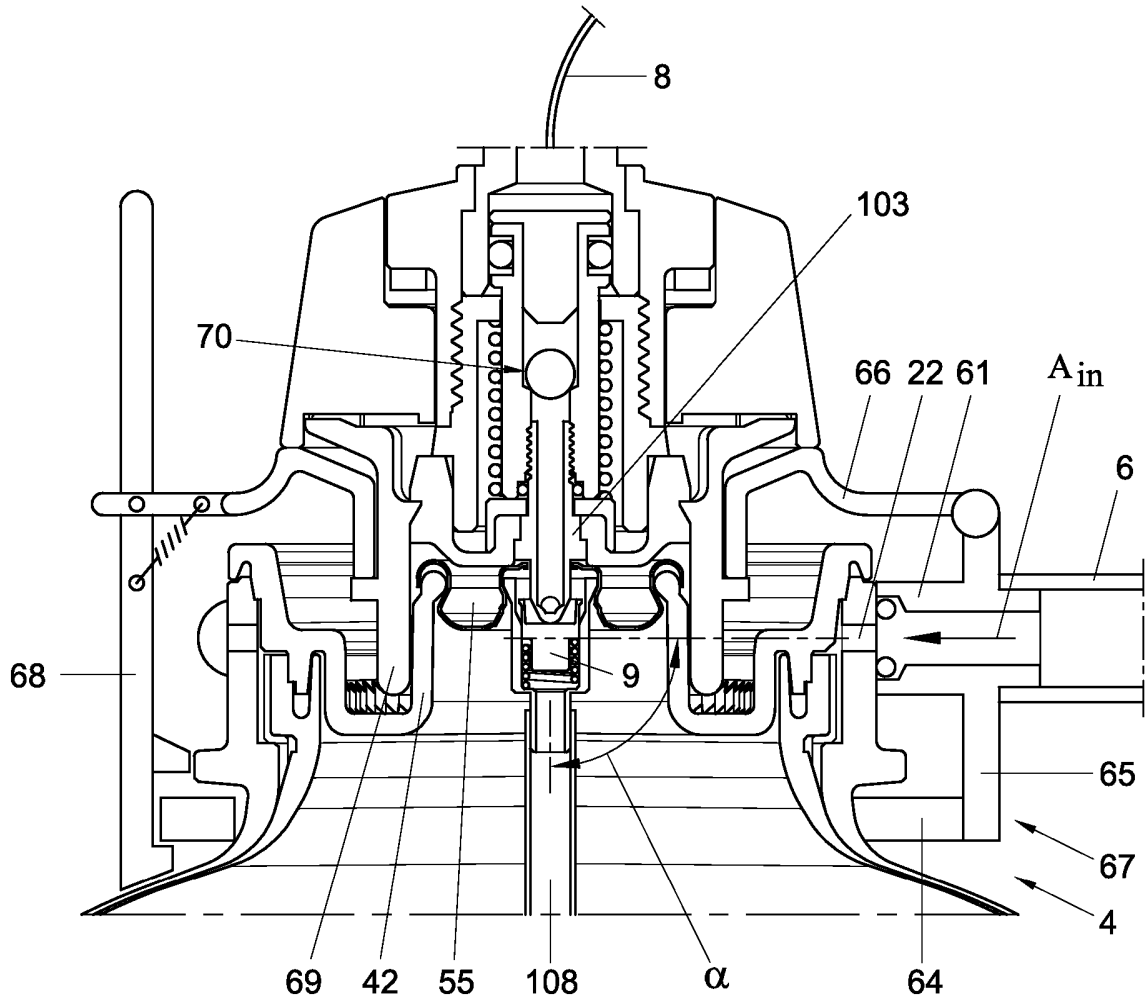


Fig. 4

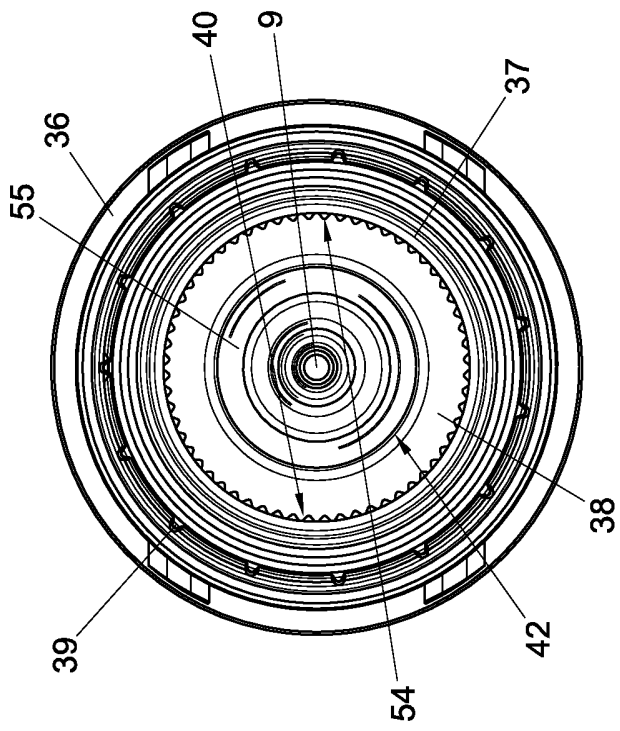


Fig. 5A

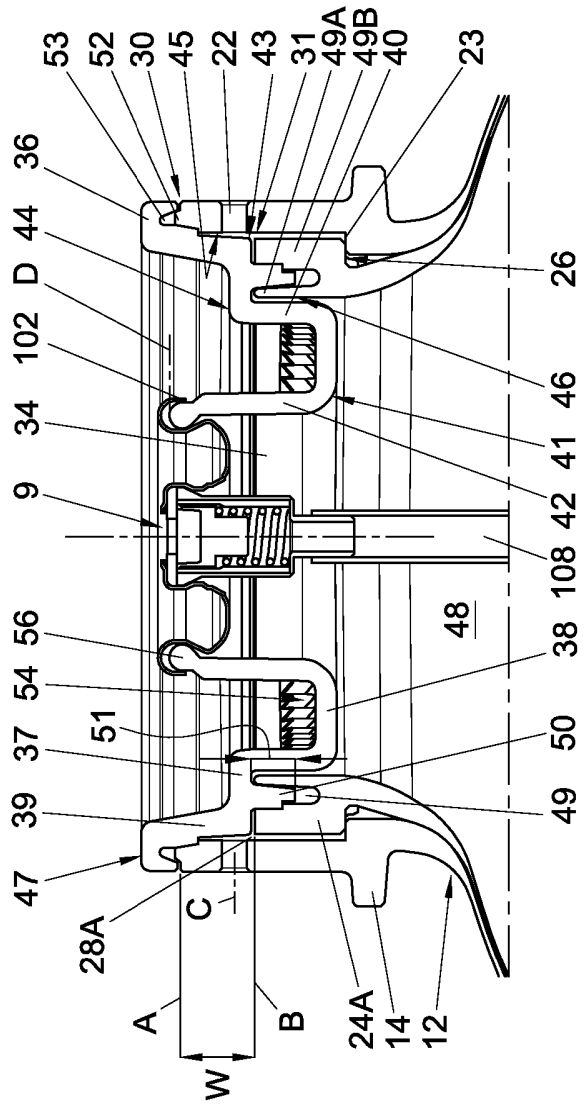


Fig. 5B

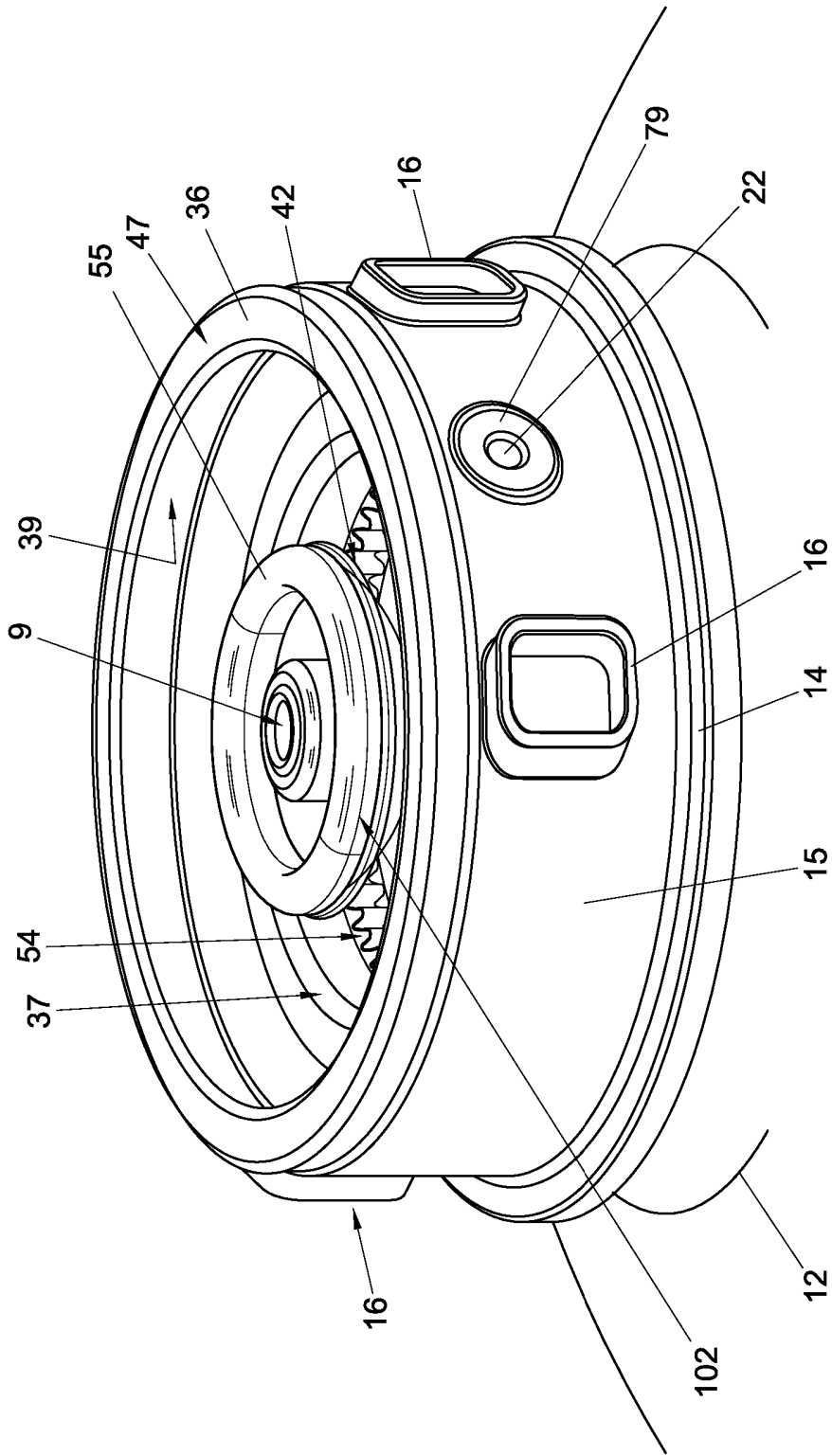


Fig. 5C

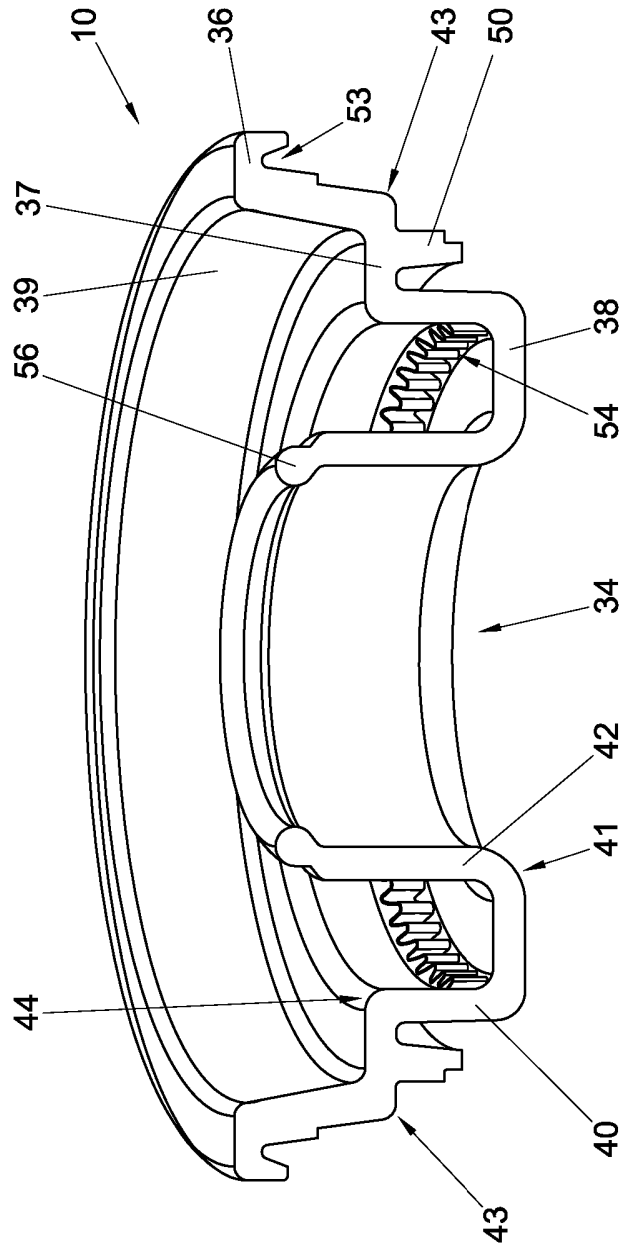


Fig. 6

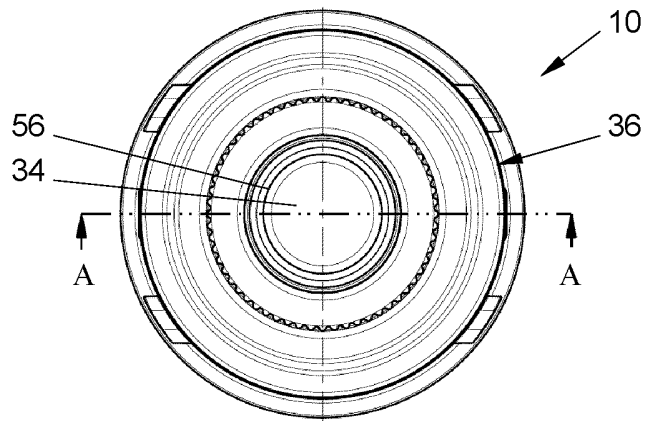


Fig. 7A

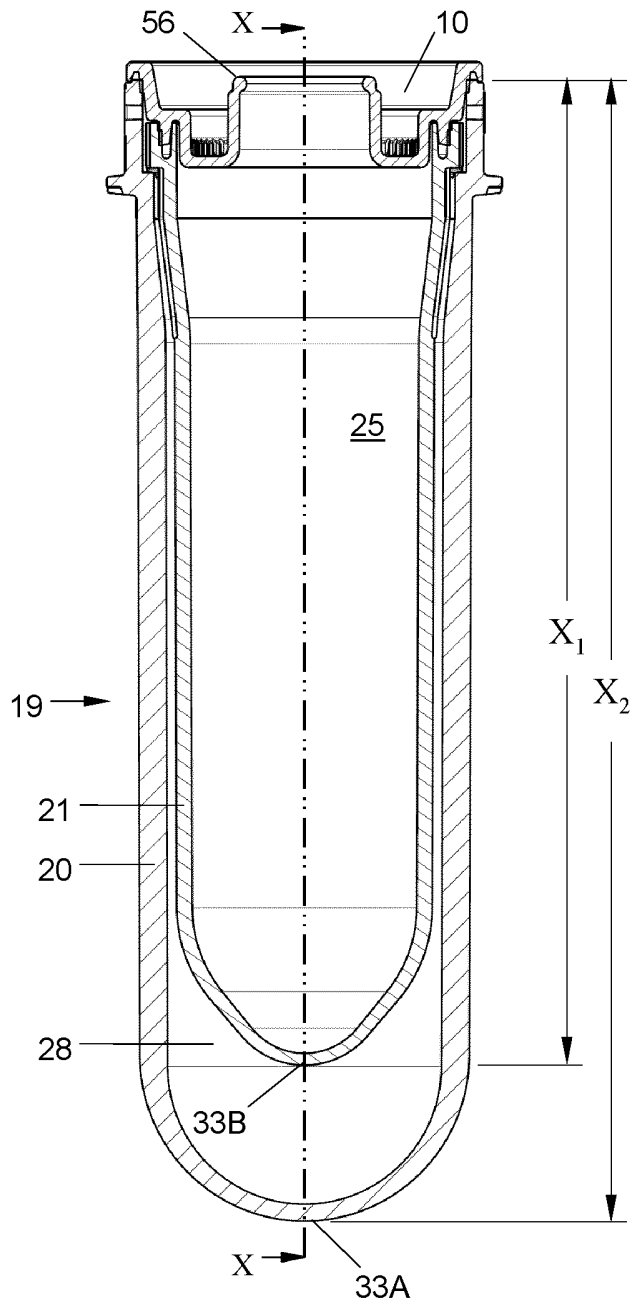


Fig. 7B

9/21

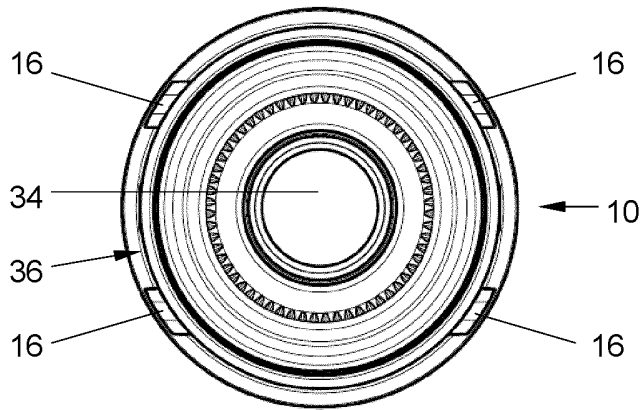


Fig. 7C

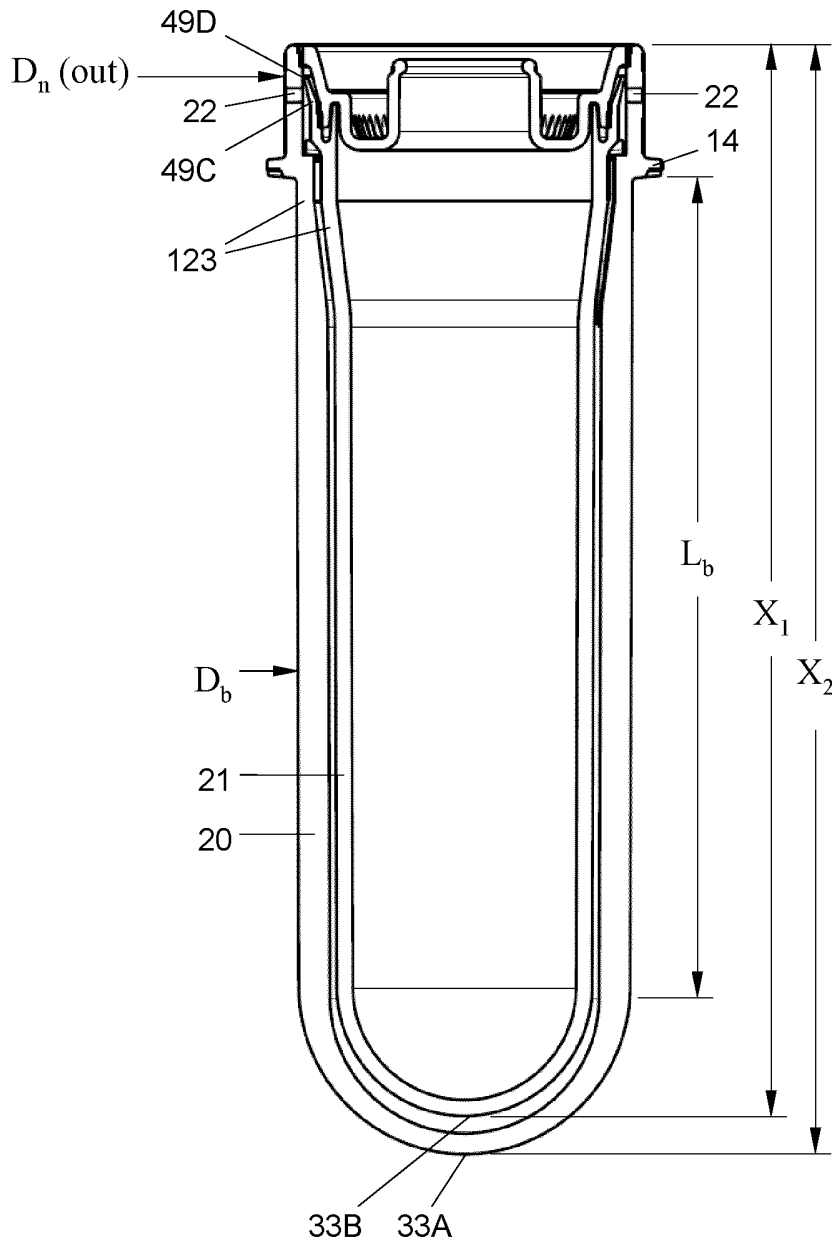


Fig. 7D

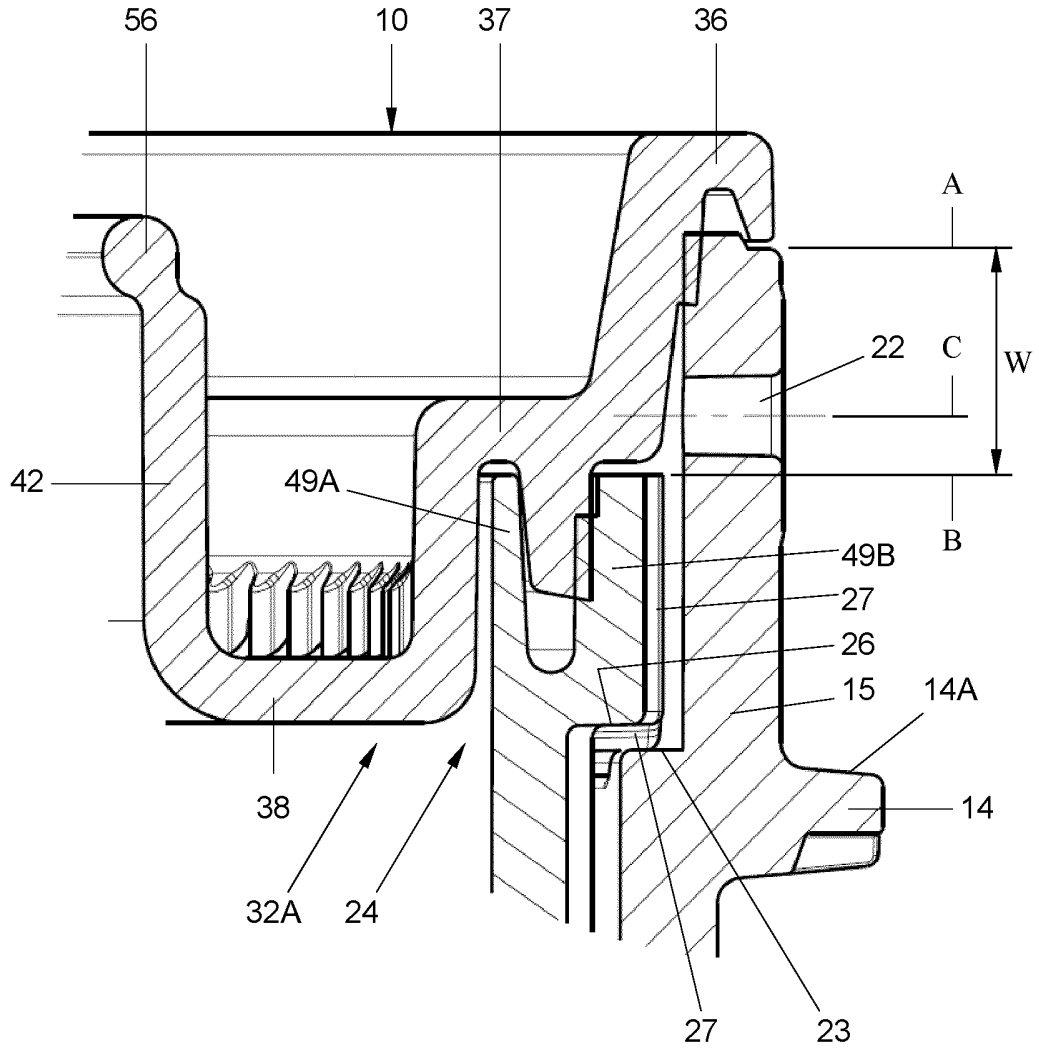


Fig. 8

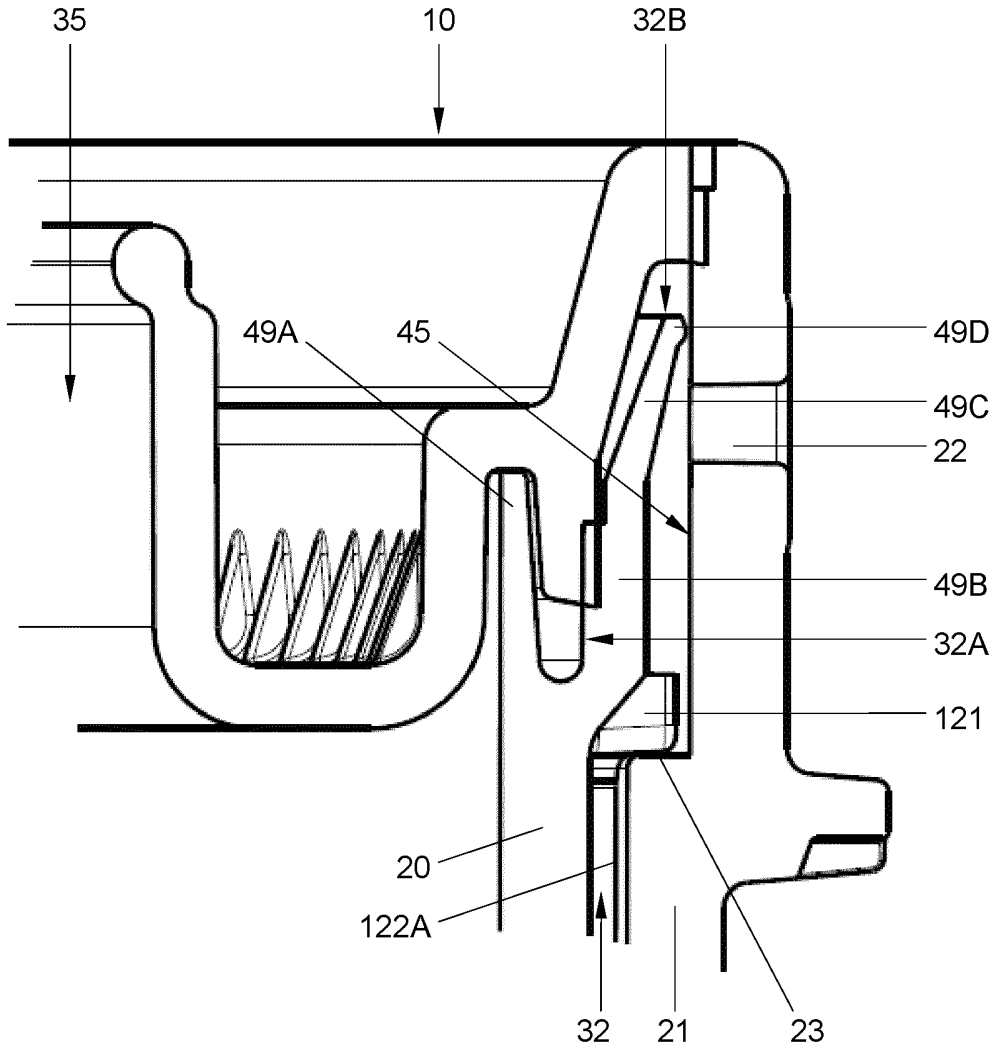


Fig. 8A

12/21

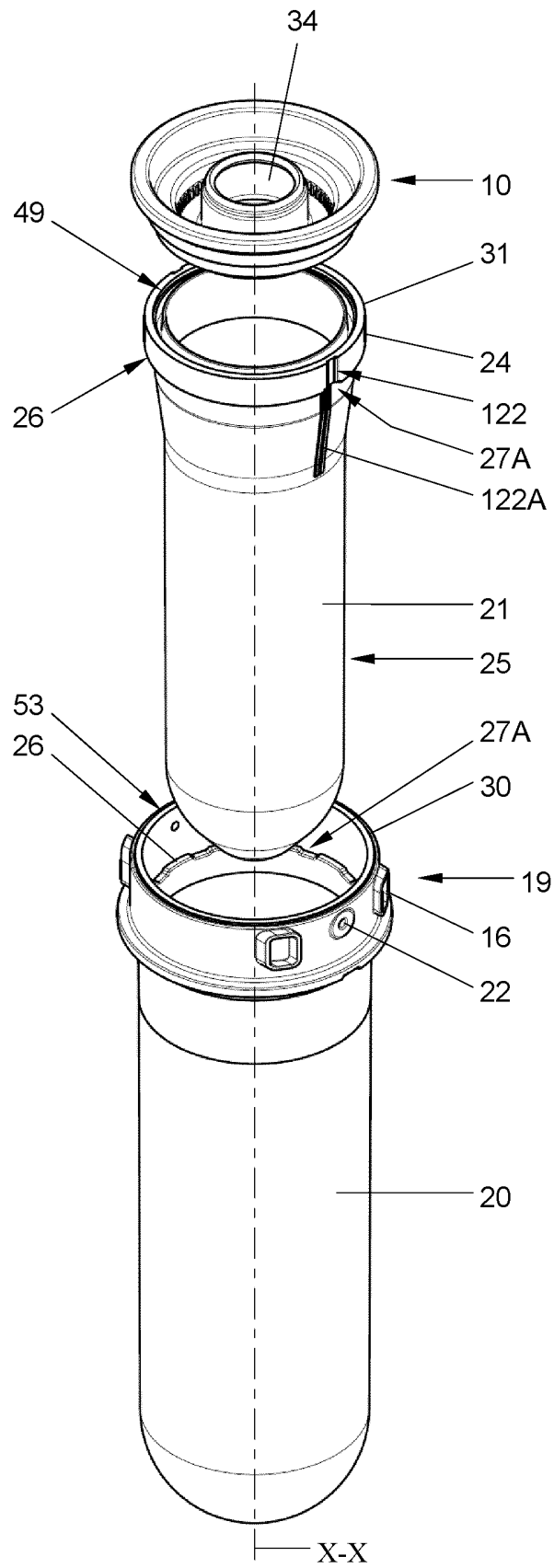


Fig. 9

13/21

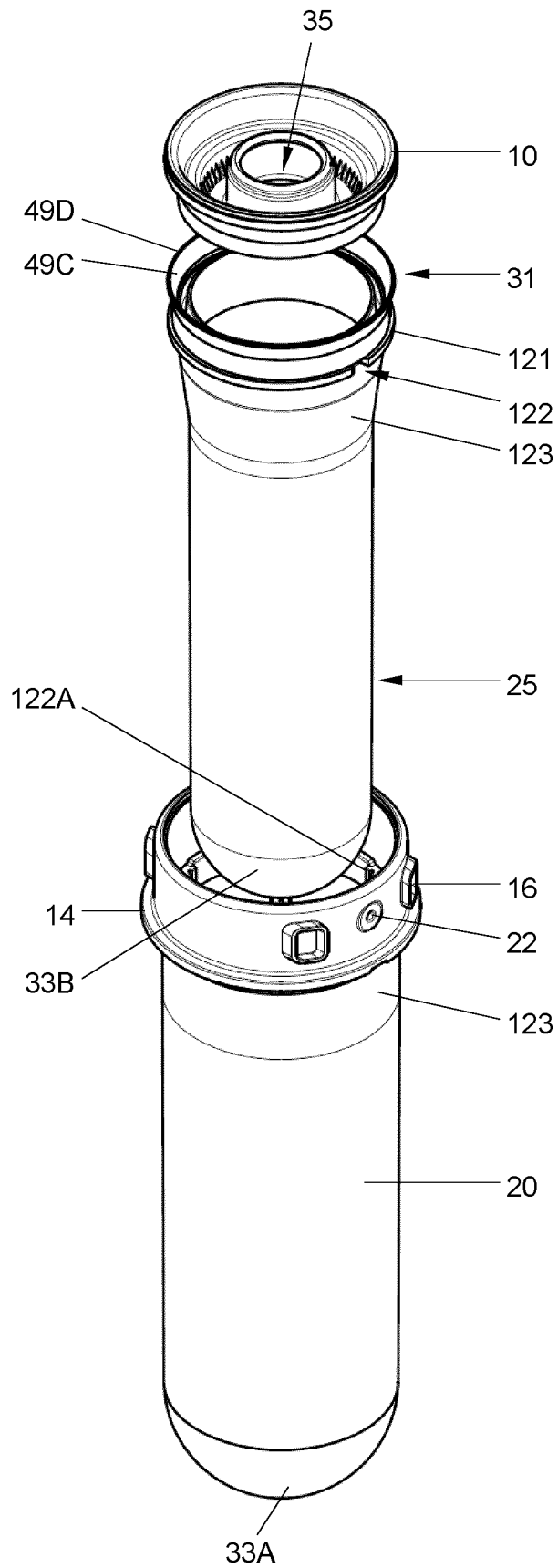


Fig. 9A

14/21

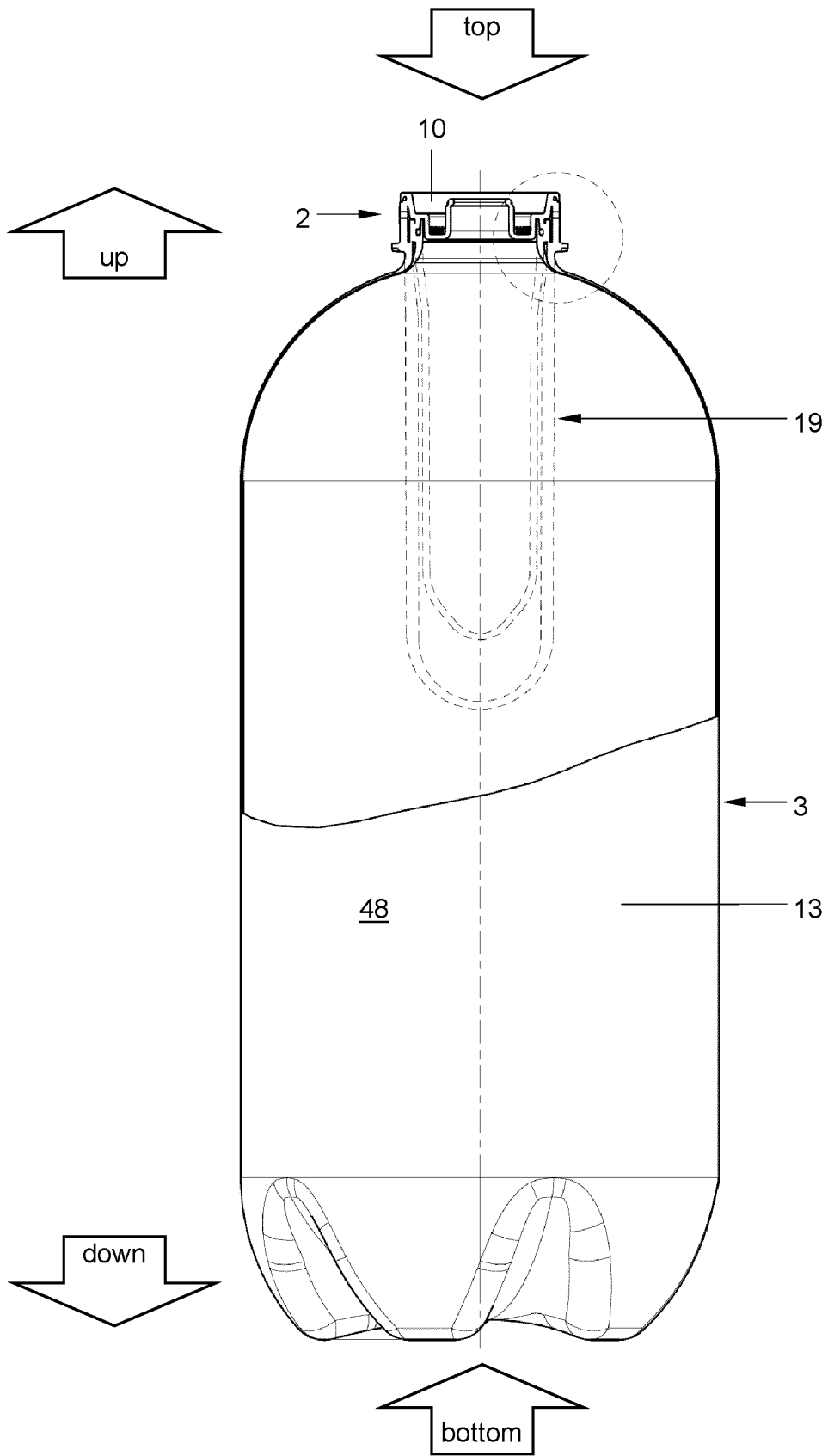


Fig. 10

15/21

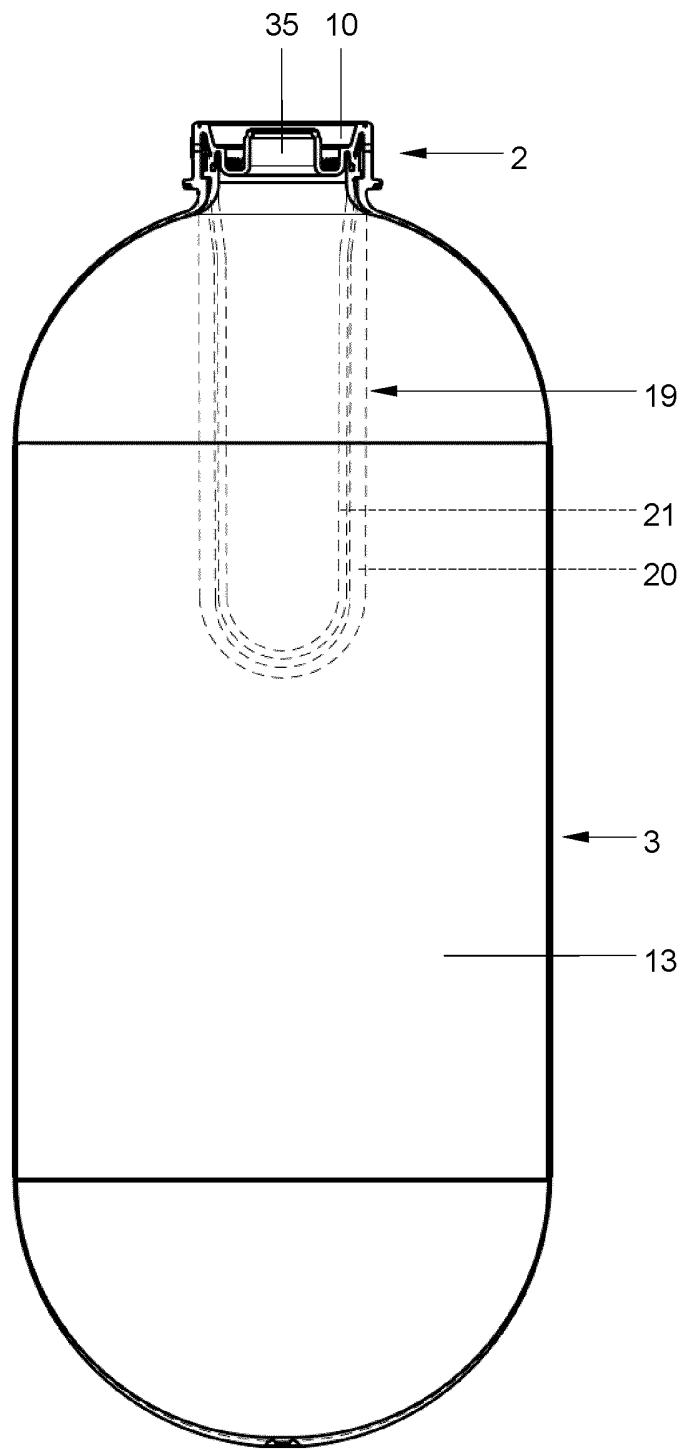


Fig. 10A

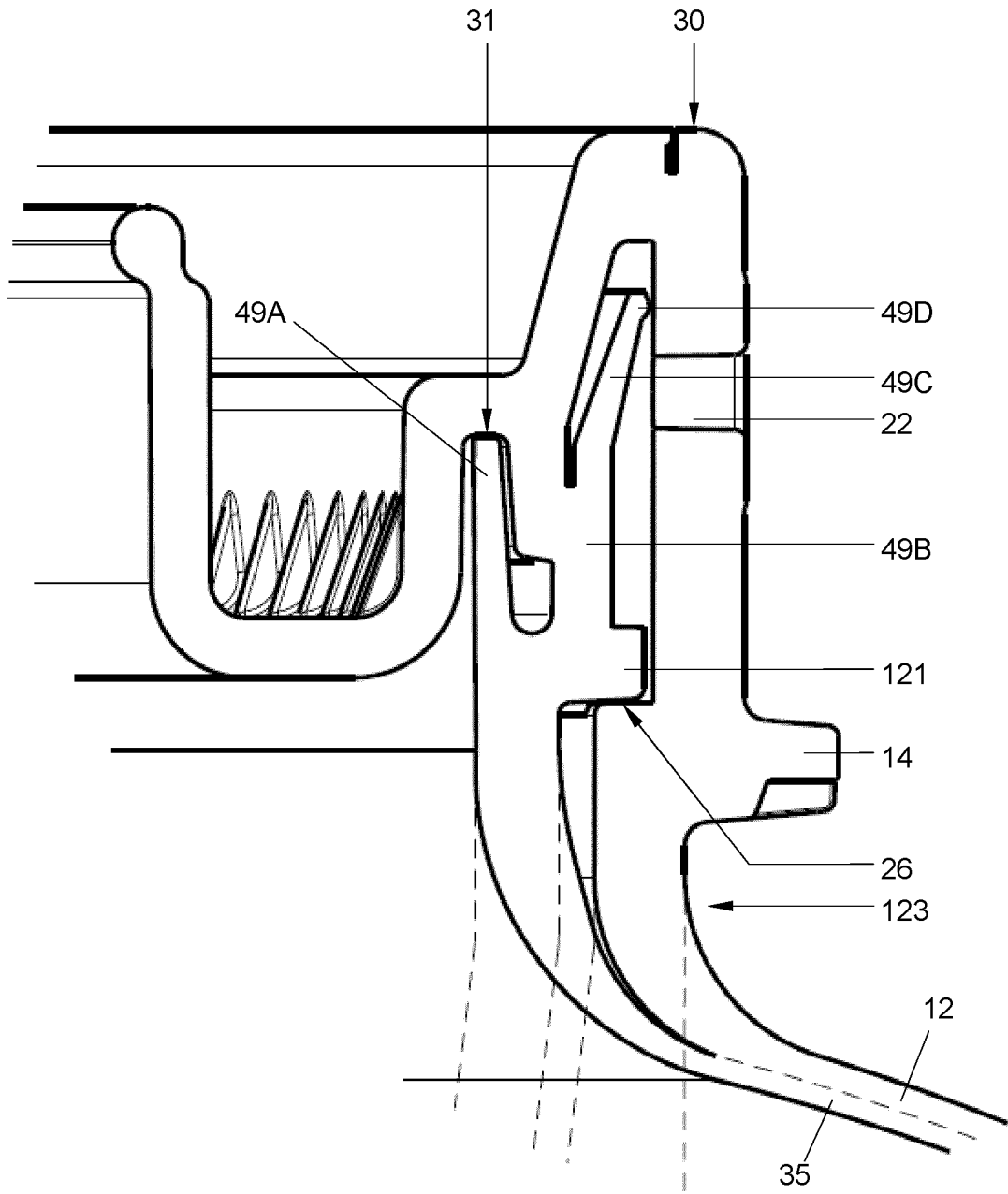


Fig. 11A

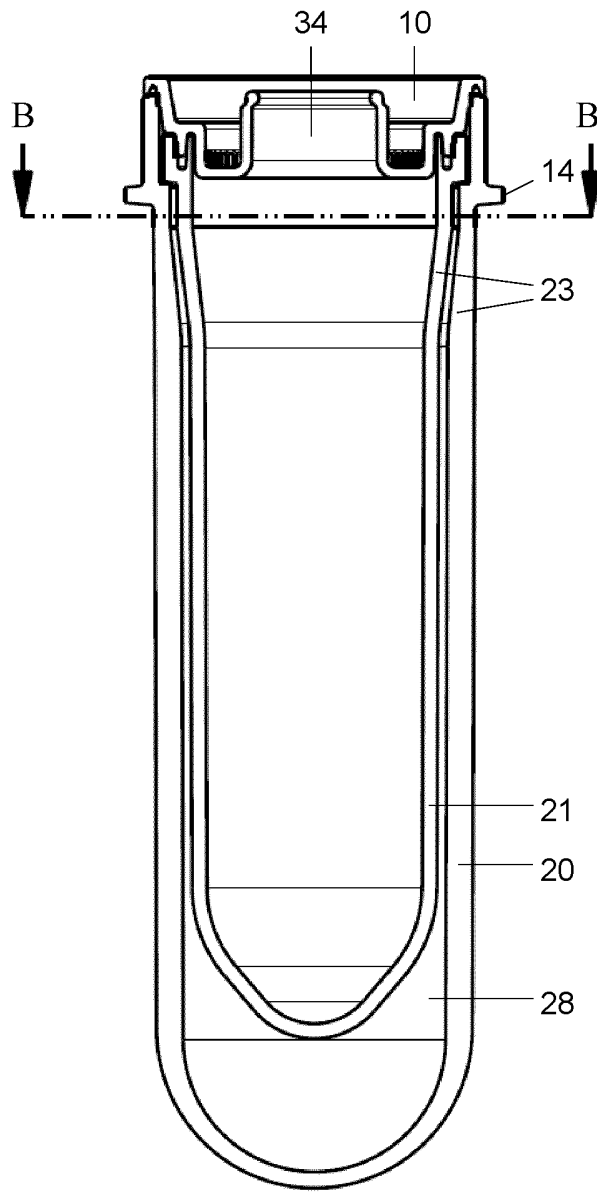


Fig. 12A

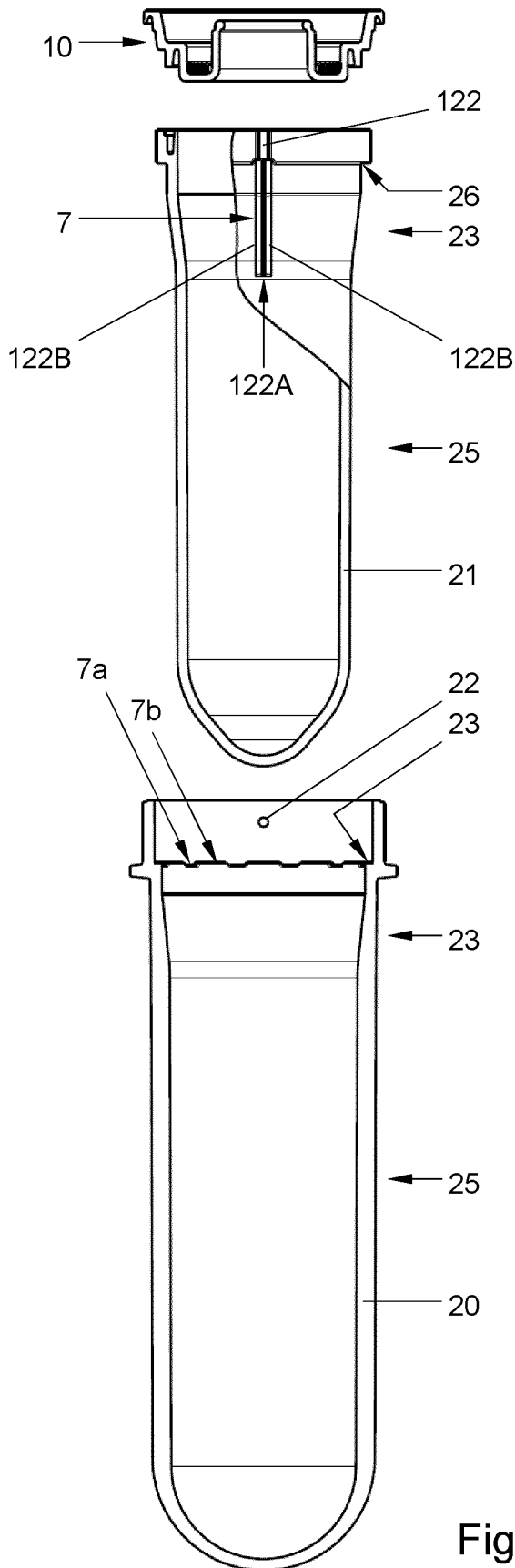


Fig. 12B

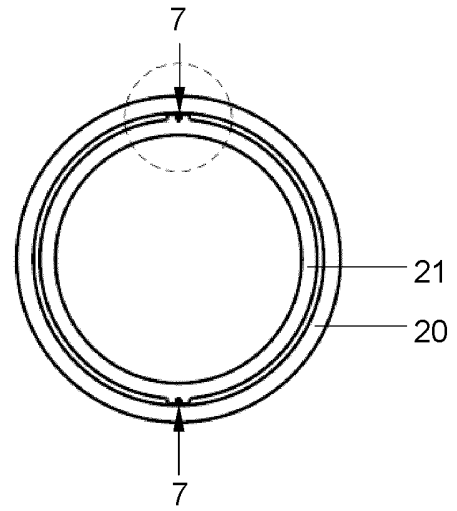


Fig. 12C

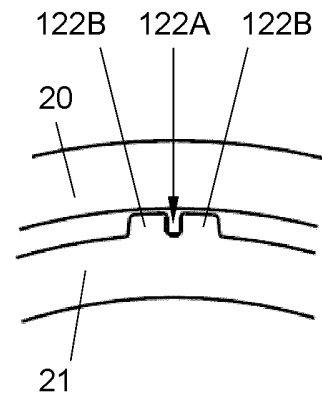


Fig. 12D

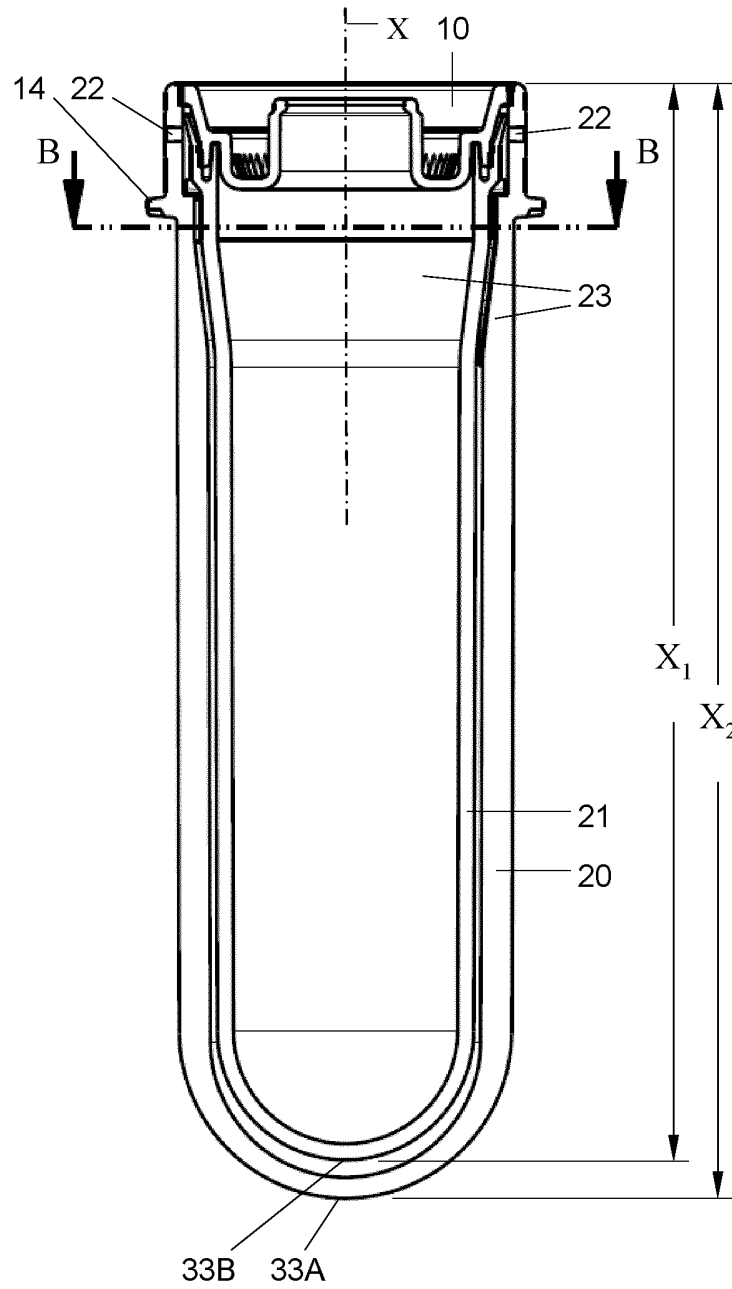
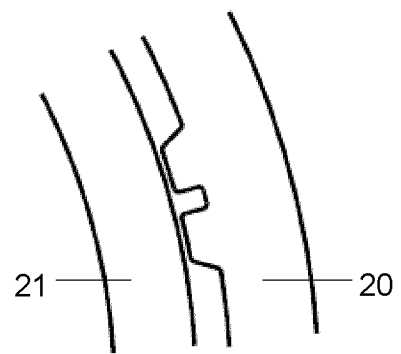
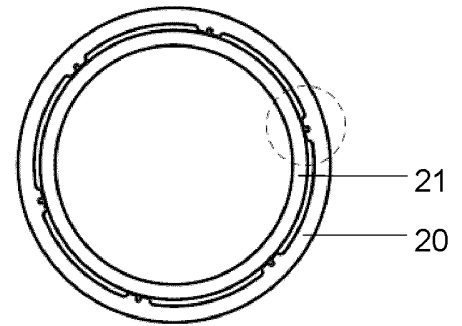
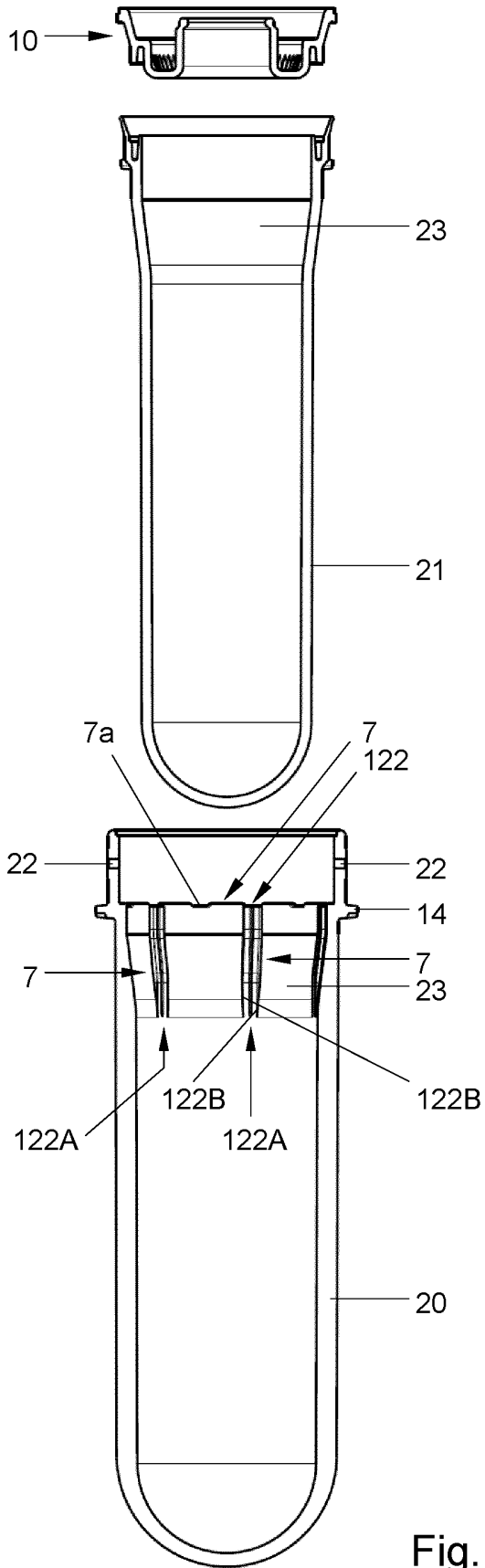


Fig. 13A



SAMENWERKINGSVERDRAG (PCT)

RAPPORT BETREFFENDE NIEUWHEIDSONDERZOEK VAN INTERNATIONAAL TYPE

IDENTIFICATIE VAN DE NATIONALE AANVRAGE	KENMERK VAN DE AANVRAGER OF VAN DE GEMACHTIGDE P98974NL00
Nederlands aanvraag nr. 2009236	Indieningsdatum 26-07-2012
	Ingeroepen voorrangdatum
Aanvrager (Naam) Heineken Supply Chain B.V.	
Datum van het verzoek voor een onderzoek van internationaal type 24-11-2012	Door de Instantie voor Internationaal Onderzoek aan het verzoek voor een onderzoek van internationaal type toegekend nr. SN59183
I. CLASSIFICATIE VAN HET ONDERWERP (bij toepassing van verschillende classificaties, alle classificatiesymbolen opgeven)	
Volgens de internationale classificatie (IPC) B67D1/04;B67D1/08;B67D7/02;B29C49/06	
II. ONDERZOCHE GEBIEDEN VAN DE TECHNIEK	
Onderzochte minimumdocumentatie	
Classificatiesysteem	Classificatiesymbolen
IPC	B67D;B29C
Onderzochte andere documentatie dan de minimum documentatie, voor zover dergelijke documenten in de onderzochte gebieden zijn opgenomen	
III. <input type="checkbox"/>	GEEN ONDERZOEK MOGELIJK VOOR BEPAALDE CONCLUSIES (opmerkingen op aanvullingsblad)
IV. <input checked="" type="checkbox"/>	GEBREK AAN EENHEID VAN UITVINDING (opmerkingen op aanvullingsblad)

**ONDERZOEKSRAPPORT BETREFFENDE HET
RESULTAAT VAN HET ONDERZOEK NAAR DE STAND
VAN DE TECHNIEK VAN HET INTERNATIONALE TYPE**

Nummer van het verzoek om een onderzoek naar
de stand van de techniek
NL 2009236

A. CLASSIFICATIE VAN HET ONDERWERP

INV. B67D1/04 B67D1/08 B67D7/02 B29C49/06
ADD.

Volgens de Internationale Classificatie van octrooien (IPC) of zowel volgens de nationale classificatie als volgens de IPC.

B. ONDERZOCHE GEBIEDEN VAN DE TECHNIEK

Onderzochte minimum documentatie (classificatie gevolgd door classificatiesymbolen)
B67D B29C

Onderzochte andere documentatie dan de minimum documentatie, voor dergelijke documenten, voor zover dergelijke documenten in de onderzochte gebieden zijn opgenomen

Tijdens het onderzoek geraadpleegde elektronische gegevensbestanden (naam van de gegevensbestanden en, waar uitvoerbaar, gebruikte trefwoorden)

EPO-Internal, WPI Data

C. VAN BELANG GEACHTE DOCUMENTEN

Categorie °	Geciteerde documenten, eventueel met aanduiding van speciaal van belang zijnde passages	Van belang voor conclusie nr.
X	EENHEID VAN UITVINDING ONTBREEKT zie aanvullingsblad B ----- EP 2 165 968 A1 (INBEV SA [BE]) 24 maart 2010 (2010-03-24) * alineas [0013], [0015], [0028] - [0030]; figuren *	1-12,32
X	EP 1 803 657 A1 (V A P S R L [IT]) 4 juli 2007 (2007-07-04) * alineas [0029] - [0037], [0079] - [0086]; figuren *	1-12,32
X	WO 2011/006212 A1 (COOPERS BREWERY LTD [AU]; BURGE PAUL ANDREW [AU]; WALLACE ALLAN K [AU]) 20 januari 2011 (2011-01-20) * bladzijde 1, regel 35 - bladzijde 3, regel 32; figuren *	1-12,32
	----- -/--	

Verdere documenten worden vermeld in het vervolg van vak C.

Leden van dezelfde octrooifamilie zijn vermeld in een bijlage

° Speciale categorieën van aangehaalde documenten

"A" niet tot de categorie X of Y behorende literatuur die de stand van de techniek beschrijft

"D" in de octrooiaanvraag vermeld

"E" eerdere octrooi(aanvraag), gepubliceerd op of na de indieningsdatum, waarin dezelfde uitvinding wordt beschreven

"L" om andere redenen vermelde literatuur

"O" niet-schriftelijke stand van de techniek

"P" tussen de voorrangsdatum en de indieningsdatum gepubliceerde literatuur

"T" na de indieningsdatum of de voorrangsdatum gepubliceerde literatuur die niet bezwarend is voor de octrooiaanvraag, maar wordt vermeld ter verheldering van de theorie of het principe dat ten grondslag ligt aan de uitvinding

"X" de conclusie wordt als niet nieuw of niet inventief beschouwd ten opzichte van deze literatuur

"Y" de conclusie wordt als niet inventief beschouwd ten opzichte van de combinatie van deze literatuur met andere geciteerde literatuur van dezelfde categorie, waarbij de combinatie voor de vakman voor de hand liggend wordt geacht

"&" lid van dezelfde octrooifamilie of overeenkomstige octrooipublicatie

Datum waarop het onderzoek naar de stand van de techniek van internationaal type werd voltooid

9 april 2013

Verzenddatum van het rapport van het onderzoek naar de stand van de techniek van internationaal type

Naam en adres van de instantie

European Patent Office, P.B. 5818 Patentlaan 2
NL - 2280 HV Rijswijk
Tel. (+31-70) 340-2040,
Fax: (+31-70) 340-3016

De bevoegde ambtenaar

Müller, Claus

**ONDERZOEKSRAPPORT BETREFFENDE HET
 RESULTAAT VAN HET ONDERZOEK NAAR DE STAND
 VAN DE TECHNIEK VAN HET INTERNATIONALE TYPE**

Nummer van het verzoek om een onderzoek naar
 de stand van de techniek
NL 2009236

C.(Vervolg). VAN BELANG GEACHTE DOCUMENTEN		
Categorie °	Geciteerde documenten, eventueel met aanduiding van speciaal van belang zijnde passages	Van belang voor conclusie nr.
A	WO 91/12196 A1 (AG PATENTS LTD [GB]) 22 augustus 1991 (1991-08-22) * samenvatting; figuren * -----	1,32
A	US 2008/257847 A1 (VAN HOVE SARAH [BE] ET AL) 23 oktober 2008 (2008-10-23) * samenvatting; figuren * -----	1,32

GEBREK AAN EENHEID VAN UITVINDING

Octrooiaanvraag Nr.:

SN 59183

NL 2009236

AANVULLINGSBLAD B

De Instantie belast met het uitvoeren van het onderzoek naar de stand van de techniek heeft vastgesteld dat deze aanvraag meerdere uitvindingen bevat, te weten:

1. conclusies: 1-12, 32

Houder van een zak-in-houder type en een tapsamenstel met deze houder

2. conclusies: 13-32

Preforms voor het vormen van een houder volgens conclusie 1, werkwijze voor het vormen van een set preforms, Tapsamenstel met een houder geformeerd volgens deze werkwijze

Het vooronderzoek werd tot het eerste onderwerp beperkt.

**ONDERZOEKSRAPPORT BETREFFENDE HET
RESULTAAT VAN HET ONDERZOEK NAAR DE STAND
VAN DE TECHNIEK VAN HET INTERNATIONALE TYPE**

Informatie over leden van dezelfde octrooifamilie

Nummer van het verzoek om een onderzoek naar
de stand van de techniek

NL 2009236

In het rapport genoemd octrooigeschrift	Datum van publicatie	Overeenkomend(e) geschrift(en)	Datum van publicatie
EP 2165968	A1	24-03-2010	AR 074253 A1 05-01-2011
			CN 102149627 A 10-08-2011
			EP 2165968 A1 24-03-2010
			EP 2337759 A2 29-06-2011
			RU 2011111785 A 27-10-2012
			US 2011248035 A1 13-10-2011
			WO 2010031764 A2 25-03-2010

EP 1803657	A1	04-07-2007	AT 457277 T 15-02-2010
			EP 1803657 A1 04-07-2007

WO 2011006212	A1	20-01-2011	AU 2010273188 A1 02-02-2012
			CN 102574673 A 11-07-2012
			GB 2484624 A 18-04-2012
			US 2012187153 A1 26-07-2012
			WO 2011006212 A1 20-01-2011

WO 9112196	A1	22-08-1991	AU 655411 B2 22-12-1994
			AU 7301691 A 03-09-1991
			AU 7740594 A 22-12-1994
			CA 2075374 A1 07-08-1991
			EP 0513205 A1 19-11-1992
			GB 2256680 A 16-12-1992
			IE 910374 A1 14-08-1991
			NZ 237027 A 25-11-1993
			WO 9112196 A1 22-08-1991
			ZA 9100889 A 30-10-1991

US 2008257847	A1	23-10-2008	AR 065324 A1 03-06-2009
			AT 508857 T 15-05-2011
			AU 2008240748 A1 30-10-2008
			CA 2682124 A1 30-10-2008
			CN 101663149 A 03-03-2010
			DK 2152494 T3 15-08-2011
			EP 2152494 A1 17-02-2010
			ES 2369479 T3 01-12-2011
			HR P20110560 T1 31-12-2011
			KR 20100016183 A 12-02-2010
			NZ 580020 A 25-11-2011
			RS 52063 B 30-06-2012
			RU 2009142614 A 27-05-2011
			US 2008257847 A1 23-10-2008
			US 2010243596 A1 30-09-2010
WO 2008129015 A1 30-10-2008			

WRITTEN OPINION

File No. SN59183	Filing date (day/month/year) 26.07.2012	Priority date (day/month/year)	Application No. NL2009236
International Patent Classification (IPC) INV. B67D1/04 B67D1/08 B67D7/02 B29C49/06			
Applicant Heineken Supply Chain B.V.			

This opinion contains indications relating to the following items:

- Box No. I Basis of the opinion
- Box No. II Priority
- Box No. III Non-establishment of opinion with regard to novelty, inventive step and industrial applicability
- Box No. IV Lack of unity of invention
- Box No. V Reasoned statement with regard to novelty, inventive step or industrial applicability; citations and explanations supporting such statement
- Box No. VI Certain documents cited
- Box No. VII Certain defects in the application
- Box No. VIII Certain observations on the application

	Examiner Müller, Claus
--	---------------------------

WRITTEN OPINION

Application number

NL2009236

Box No. I Basis of this opinion

1. This opinion has been established on the basis of the latest set of claims filed before the start of the search.
2. With regard to any **nucleotide and/or amino acid sequence** disclosed in the application and necessary to the claimed invention, this opinion has been established on the basis of:
 - a. type of material:
 - a sequence listing
 - table(s) related to the sequence listing
 - b. format of material:
 - on paper
 - in electronic form
 - c. time of filing/furnishing:
 - contained in the application as filed.
 - filed together with the application in electronic form.
 - furnished subsequently for the purposes of search.
3. In addition, in the case that more than one version or copy of a sequence listing and/or table relating thereto has been filed or furnished, the required statements that the information in the subsequent or additional copies is identical to that in the application as filed or does not go beyond the application as filed, as appropriate, were furnished.
4. Additional comments:

WRITTEN OPINION

Application number
NL2009236

Box No. III Non-establishment of opinion with regard to novelty, inventive step and industrial applicability

The questions whether the claimed invention appears to be novel, to involve an inventive step, or to be industrially applicable have not been examined in respect of

- the entire application
- claims Nos. 13-32

because:

- the said application, or the said claims Nos. relate to the following subject matter which does not require a search (*specify*):
- the description, claims or drawings (*indicate particular elements below*) or said claims Nos. are so unclear that no meaningful opinion could be formed (*specify*):
- the claims, or said claims Nos. are so inadequately supported by the description that no meaningful opinion could be formed (*specify*):
- no search report has been established for the whole application or for said claims Nos. 13-32
- a meaningful opinion could not be formed as the sequence listing was either not available, or was not furnished in the international format (WIPO ST25).
- a meaningful opinion could not be formed without the tables related to the sequence listings; or such tables were not available in electronic form.
- See Supplemental Box for further details.

Box No. IV Lack of unity of invention

1. The requirement of unity of invention is not complied with for the following reasons:

see separate sheet

2. This report has been established in respect of the following parts of the application:

- all parts.
- the parts relating to claims Nos. (see Search Report)

WRITTEN OPINION

Application number
NL2009236

**Box No. V Reasoned statement with regard to novelty, inventive step or industrial applicability;
citations and explanations supporting such statement**

1. Statement

Novelty	Yes: Claims	
	No: Claims	1-12
Inventive step	Yes: Claims	
	No: Claims	1-12
Industrial applicability	Yes: Claims	1-12
	No: Claims	

2. Citations and explanations

see separate sheet

Box No. VII Certain defects in the application

see separate sheet

Re Item III

Non-establishment of opinion with regard to novelty, inventive step and industrial applicability

No opinion on the patentability of claims 13-31 and 32, inasmuch as claim 32 refers to claim 13-31, has been established by virtue of the fact that no search-report on these claims has been drawn-up.

Re Item IV

Lack of unity of invention

- 1 This Authority considers that the application does not meet the requirements of unity of invention and that there are 2 inventions covered by the claims indicated as follows:

Claims 1-12, 32

Houder van een zak-in-houder type en een tapsamenstel met deze houder

Claims 13-31, 32

Preforms voor het vormen van een houder volgens conclusie 1, werkwijze voor het vormen van een set preforms, Tapsamenstel met een houder geformd volgens deze werkwijze

- 2 The above inventions are not so linked as to form a single general inventive concept for the following reasons:
- 2.1 A prerequisite for unity of invention is that the application shall relate to one invention only or to a group of inventions so linked as to form a single inventive concept.
- 2.2 The requirement of unity of invention as pointed out above, shall be fulfilled only when there is a technical relationship among those inventions (or groups of inventions) involving one or more of the same or corresponding special technical features.
- 2.3 The expression "special technical features" shall mean those technical features that define a contribution with each of the claimed inventions, considered as a whole, makes over the prior art.

- 2.4 The application presents more than one independent claim. These claims are not directed to alternative embodiments of the same invention but to different aspects of an apparatus. Consequently, the application does not meet the requirement of one invention. However, the application might meet the requirement of relating to a group of inventions.
- 2.5 Hence, the question to be elucidated is whether the potentially special technical features of the independent claims of the present application involve a technical relationship among the inventions *a priori*.
- 2.6 The potentially special technical features of the first invention (i.e. claims 1-12, 32) are:
- een buitenste en een binnenste houder,
 - het halsgebied is voorzien van koppellementen,
 - ten minste een opening, die voorzien is in het halsgebied,
 - waarbij deze opening voorzien is (of onderdeel vormt van) een eerste koppelmiddel voor het koppelen met een drukfluidumtoevoerleiding
- 2.6.1 The particular technical problem to be solved by these potentially special technical features is to provide a container that consists of an outer and an inner container that holds the liquid to be dispensed and to provide the means for dispensing said liquid by applying fluid pressure onto the inner container.
- 2.7 In contrast, the potentially special technical features of the second invention (i.e. claims 13-31, 32) are:
- set preforms voor het vormen van een houder volgens conclusie 1
- 2.7.1 It has to be noted that the formulation "voor het vormen van [...]" merely means that the preforms are suitable for producing a container according to claim 1.
- 2.7.2 The particular technical problem to be solved by these potentially special technical features is to provide the means for producing a container.
- 2.8 The two different groups of inventions do not comply with with the provisions for unity of invention by virtue of the fact that the different groups of invention do not share the same (potentially) special technical features.
- 2.9 Furthermore, the respective particular technical problems solved by the first and the second group of inventions are so remote from each other that no technical relationship relying on these (potentially) special technical features

can be established between the first, third and fourth group of inventions. Consequently, these groups of inventions do also not share corresponding technical features.

Re Item V

Reasoned statement with regard to novelty, inventive step or industrial applicability; citations and explanations supporting such statement

Reference is made to the following documents:

- D1 EP 2 165 968 A1 (INBEV SA [BE]) 24 maart 2010 (2010-03-24)
- D2 EP 1 803 657 A1 (V A P S R L [IT]) 4 juli 2007 (2007-07-04)
- D3 WO 2011/006212 A1 (COOPERS BREWERY LTD [AU]; BURGE PAUL ANDREW [AU]; WALLACE ALLAN K [AU]) 20 januari 2011 (2011-01-20)

3 The present application does not meet the criteria of patentability, because the subject-matter of claim 1 is not new.

3.1 Document D1 discloses:

Houder (2) van een zak-in-houder-type (figuur 1), waarbij een halsgebied (6) van de houder (2) is voorzien van ten minste één opening (4) die zich in hoofdzaak radial daar dorheen uitstrekt, tot in een ruimte tussen de buitenste houder (22) en een binnenste (21), daar nabijgelegen houder, waarbij:

- het halsgebied (6) is voorzien van koppellementen (6), bij voorkeur aan, in omstrekkingsrichting gezien, tegenoverliggende zijden van de genoemde ten minste een opening, voor het koppelen (bladzijde 6, regel 50) van een verbindingsinrichting (100) met de houder voor het door de genoemde ten minste ene opening inbrengen van en drukfluidum in een ruimte tussen de binnenste en de buitenste houder (paragraaf 30); en/of
- de ten minste ene opening is voorzien van of onderdeel vormt van een eerste koppelmiddel voor het met de genoemde opening koppelen van een drukfluidumtoevoerleiding.

3.2 Thus, D1 anticipates all the subject-matter of claim 1.

3.3 The same applies with respect to D2 or D3.

- 3.4 Furthermore, the each of the documents D1-D3 discloses a dispenser as defined by claim 32. Therefore, the subject-matter of this claim cannot be considered as being new.
- 4 Claims 2 and 3 are claims for products defined in terms of a process of manufacture. This kind of claims is only allowable if the products as such, in the case at hand thus the "Houder", fulfill the requirements for patentability, in particular that they are new and inventive. A product is not rendered novel merely by the fact that it is produced by means of a new process.
- 4.1 The subject-matter of the remaining dependent claims, i.e. claims 4-12, is neither new not does it provide for an inventive step. The therein defined features are per se well known. They serve the purpose of adapting the device to different needs. However, the result of the combination of features is neither unexpected nor does it unfold synergetic effects that could be an indication for inventive step.
- 4.2 The attention of the applicant is drawn to the fact that the purpose of the written opinion is not a detailed examination but only to give a first opinion on patentability of the subject-matter in order to allow the applicant to decide how to proceed with the application. The detailed examination shall be reserved to the examination phase.
- 4.3 The skilled person, in the framework of normal development would therefore combine these features, without the exercise of any inventive skill.

Re Item VII

Certain defects in the application

- 5 However, the application does not meet all the formal requirements.
- 5.1 Independent claim 1 is not in the two-part form, which in the present case would be appropriate, with those features known in combination from the prior art being placed in the preamble and the remaining features being included in the characterising part.
- 5.2 The features of the claims should be provided with reference signs placed in parentheses to increase the intelligibility of the claims. This applies to both the preamble and characterising portion.