

(19) World Intellectual Property Organization
International Bureau



(43) International Publication Date
4 May 2006 (04.05.2006)

PCT

(10) International Publication Number
WO 2006/047655 A3

- (51) International Patent Classification:
A44B 19/16 (2006.01) B65D 33/24 (2006.01)
- (21) International Application Number:
PCT/US2005/038691
- (22) International Filing Date: 25 October 2005 (25.10.2005)
- (25) Filing Language: English
- (26) Publication Language: English
- (30) Priority Data:
60/622,191 25 October 2004 (25.10.2004) US
- (71) Applicant (for all designated States except US): ABSOLUTE CLOSURE INNOVATIONS, INC. [US/US]; 104 W. Garfield, Bozeman, Montana 59715 (US).
- (72) Inventor; and
- (75) Inventor/Applicant (for US only): MEAGER, Benjamin [US/US]; 611 E. Lamme Street, Bozeman, MT 59715 (US).
- (74) Agents: YASKANIN, Mark, L. et al.; SHERIDAN ROSS P.C., 1560 Broadway, Suite 1200, Denver, Colorado 80202-5141 (US).
- (81) Designated States (unless otherwise indicated, for every kind of national protection available): AE, AG, AL, AM, AT, AU, AZ, BA, BB, BG, BR, BW, BY, BZ, CA, CH, CN,

CO, CR, CU, CZ, DE, DK, DM, DZ, EC, EE, EG, ES, FI, GB, GD, GE, GH, GM, HR, HU, ID, IL, IN, IS, JP, KE, KG, KM, KP, KR, KZ, LC, LK, LR, LS, LT, LU, LV, LY, MA, MD, MG, MK, MN, MW, MX, MZ, NA, NG, NI, NO, NZ, OM, PG, PH, PL, PT, RO, RU, SC, SD, SE, SG, SK, SL, SM, SY, TJ, TM, TN, TR, TT, TZ, UA, UG, US, UZ, VC, VN, YU, ZA, ZM, ZW.

(84) Designated States (unless otherwise indicated, for every kind of regional protection available): ARIPO (BW, GH, GM, KE, LS, MW, MZ, NA, SD, SL, SZ, TZ, UG, ZM, ZW), Eurasian (AM, AZ, BY, KG, KZ, MD, RU, TJ, TM), European (AT, BE, BG, CH, CY, CZ, DE, DK, EE, ES, FI, FR, GB, GR, HU, IE, IS, IT, LT, LU, LV, MC, NL, PL, PT, RO, SE, SI, SK, TR), OAPI (BF, BJ, CF, CG, CI, CM, GA, GN, GQ, GW, ML, MR, NE, SN, TD, TG).

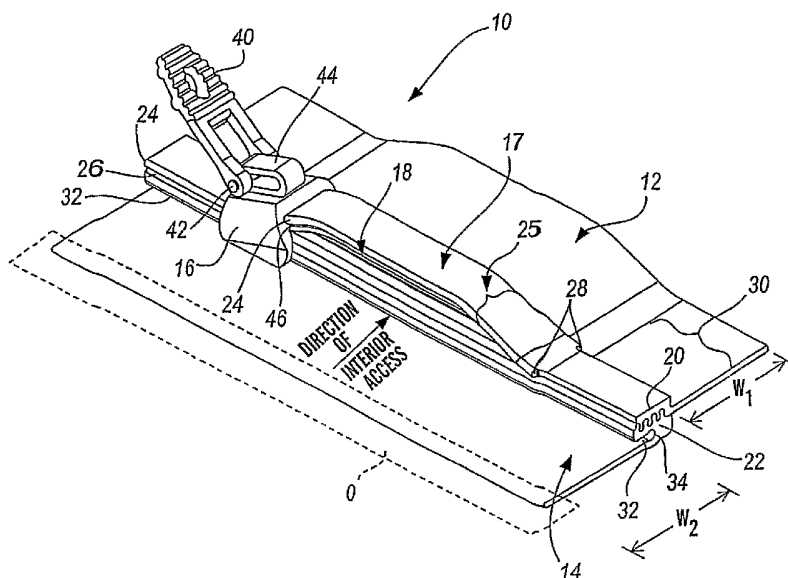
Published:

- with international search report
- before the expiration of the time limit for amending the claims and to be republished in the event of receipt of amendments

(88) Date of publication of the international search report:
5 October 2006

For two-letter codes and other abbreviations, refer to the "Guidance Notes on Codes and Abbreviations" appearing at the beginning of each regular issue of the PCT Gazette.

(54) Title: DEVICE FOR CREATING A SEAL BETWEEN FABRICS OR OTHER MATERIALS



(57) Abstract: A device for forming a seal includes upper and lower seal members, and a slider, wherein mating surfaces of the seal members interlock. In at least one embodiment, a lifting rib and closure bar on the slider cooperate with a lifting wing and closure bar groove on the upper and lower seal members, respectively. By moving the slider in one direction, the lifting rib lifts the upper seal member from the lower seal member. Moving the slider in the opposite direction causes the upper and lower seal members to interlock. In another embodiment, a slider has an intermediate lateral member connected on one side the slider top, and connected on the other side to the slider bottom. A breakaway sealing device is also provided, allowing a person to break the closed seal. A beginning stop block is also provided that includes a means for securing the upper seal member.

WO 2006/047655 A3

INTERNATIONAL SEARCH REPORT

International application No.

PCT/US05/38691

A. CLASSIFICATION OF SUBJECT MATTER
 IPC: A44B 19/16(2006.01);B65D 33/24(2006.01)

USPC: 24/399;383/64,65
 According to International Patent Classification (IPC) or to both national classification and IPC

B. FIELDS SEARCHED

Minimum documentation searched (classification system followed by classification symbols)
 U.S. : 24/399,400,415,417,427,429,433,434,436,585.1; 383/64,65,66,61.2,107,119

Documentation searched other than minimum documentation to the extent that such documents are included in the fields searched
 none

Electronic data base consulted during the international search (name of data base and, where practicable, search terms used)
 none

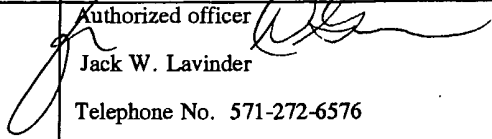
C. DOCUMENTS CONSIDERED TO BE RELEVANT

Category *	Citation of document, with indication, where appropriate, of the relevant passages	Relevant to claim No.
X	US 3,266,112 A (HECKMAN) 16 August 1966 (16.08.1966), see entire document.	1,4,5,7,8-10,12
X	US 2,810,944 A (SANDER) 29 October 1957 (29.10.1957), see entire document.	1,3,4,5,7-10,12
---		-----
Y		2,6,11
Y	US 4,929,487 A (TILMAN et al) 29 May 1990 (29.05.1990), see entire document.	2
Y	US 2,613,421 A (MADSEN) 14 October 1952 (14.10.1952), see entire document	6
Y	US 2002/0015539 A1 (GONELLA) 07 February 2002 (07.02.2002), see element 3 and paragraph [0009].	11

Further documents are listed in the continuation of Box C. See patent family annex.

* Special categories of cited documents:	"T" later document published after the international filing date or priority date and not in conflict with the application but cited to understand the principle or theory underlying the invention
"A" document defining the general state of the art which is not considered to be of particular relevance	"X" document of particular relevance; the claimed invention cannot be considered novel or cannot be considered to involve an inventive step when the document is taken alone
"E" earlier application or patent published on or after the international filing date	"Y" document of particular relevance; the claimed invention cannot be considered to involve an inventive step when the document is combined with one or more other such documents, such combination being obvious to a person skilled in the art
"L" document which may throw doubts on priority claim(s) or which is cited to establish the publication date of another citation or other special reason (as specified)	"&" document member of the same patent family
"O" document referring to an oral disclosure, use, exhibition or other means	
"P" document published prior to the international filing date but later than the priority date claimed	

Date of the actual completion of the international search 02 July 2006 (02.07.2006)	Date of mailing of the international search report 14 AUG 2006
--	---

Name and mailing address of the ISA/US Mail Stop PCT, Attn: ISA/US Commissioner for Patents P.O. Box 1450 Alexandria, Virginia 22313-1450 Facsimile No. (571) 273-3201	Authorized officer  Jack W. Lavinder Telephone No. 571-272-6576
---	--

INTERNATIONAL SEARCH REPORT

International application No.

PCT/US05/38691

Box No. II Observations where certain claims were found unsearchable (Continuation of item 2 of first sheet)

This international search report has not been established in respect of certain claims under Article 17(2)(a) for the following reasons:

- 1. Claims Nos.:
because they relate to subject matter not required to be searched by this Authority, namely:

- 2. Claims Nos.:
because they relate to parts of the international application that do not comply with the prescribed requirements to such an extent that no meaningful international search can be carried out, specifically:

- 3. Claims Nos.:
because they are dependent claims and are not drafted in accordance with the second and third sentences of Rule 6.4(a).

Box No. III Observations where unity of invention is lacking (Continuation of item 3 of first sheet)

This International Searching Authority found multiple inventions in this international application, as follows:
Please See Continuation Sheet

- 1. As all required additional search fees were timely paid by the applicant, this international search report covers all searchable claims.
- 2. As all searchable claims could be searched without effort justifying additional fees, this Authority did not invite payment of any additional fees.
- 3. As only some of the required additional search fees were timely paid by the applicant, this international search report covers only those claims for which fees were paid, specifically claims Nos.:

- 4. No required additional search fees were timely paid by the applicant. Consequently, this international search report is restricted to the invention first mentioned in the claims; it is covered by claims Nos.: 1-12

- Remark on Protest**
- The additional search fees were accompanied by the applicant's protest and, where applicable, the payment of a protest fee.
 - The additional search fees were accompanied by the applicant's protest but the applicable protest fee was not paid within the time limit specified in the invitation.
 - No protest accompanied the payment of additional search fees.

INTERNATIONAL SEARCH REPORT

International application No.
PCT/US05/38691

BOX III. OBSERVATIONS WHERE UNITY OF INVENTION IS LACKING

This application contains the following inventions or groups of inventions, which are not so linked as to form a single general inventive concept under PCT Rule 13.1. In order for all inventions to be examined, the appropriate additional examination fees must be paid.

Group I, claim(s) 1-12, drawn to a device for creating a seal having the special technical feature of a slider with a lifting rib, a closure bar and a body.

Group II, claim(s) 13-33, drawn to a device for forming an endless seal having the special technical feature of a slider having a releasably securable top.

Group III, claim(s) 34-50, drawn to a device for forming a seal having a slider with an intermediate lateral member having only a first side connected to a top of the slider and having only a second side connected to a bottom of the slider.

Group IV, claim(s) 51-57, drawn to a device for forming a seal having a slider with a top having a top front edge located longitudinally behind the front edge of the intermediate lateral member and a bottom having a bottom front edge located longitudinally behind a front of the intermediate lateral member.

Group V, claim(s) 58-65, drawn to a breakaway sealing device having a slider that disengages at least one of the upper and lower seal members at at least one of an end of the upper or lower seal member or a gap in said upper or lower seal member, wherein the gap has a length at least as long as a length of the slider.

The inventions listed as Groups I-V do not relate to a single general inventive concept under PCT Rule 13.1 because, under PCT Rule 13.2, they lack the same or corresponding special technical features for the following reasons: see the different special technical features outlined above in the grouping of the claims. These special technical features are only found in their groupings and not in any of the other groupings.