



US00D820439S

(12) **United States Design Patent**
Chuvashova

(10) **Patent No.:** **US D820,439 S**
(45) **Date of Patent:** **** Jun. 12, 2018**

- (54) **MEDICAMENT DELIVERY DEVICE**
- (71) Applicant: **Carebay Europe Ltd., Sliema (MT)**
- (72) Inventor: **Natalia Chuvashova, Nacka (SE)**
- (73) Assignee: **Carebay Europe Ltd., Sliema (MT)**
- (**) Term: **15 Years**
- (21) Appl. No.: **29/567,882**
- (22) Filed: **Jun. 13, 2016**
- (51) **LOC (11) Cl.** **24-02**
- (52) **U.S. Cl.**
USPC **D24/113**
- (58) **Field of Classification Search**
USPC D24/112-114, 133, 186, 127-131;
606/181, 185; 604/264, 272, 115, 232,
604/187, 158, 164.08, 192, 263, 163, 181,
604/184, 198, 227; 600/101, 139, 143;
128/200.24, 207.14, 207.15;
D19/115-123, 177, 193; D23/411, 412,
D23/382
CPC A61M 5/3156; A61M 5/31591; A61M
5/3155; A61M 5/3157; A61M 5/24;
A61M 5/31501; A61M 5/31551; A61M
5/31585; A61M 2005/2407; A61M
2005/2492; A61M 2205/581; A61M
2205/582
See application file for complete search history.

- 4,659,327 A 4/1987 Bennett et al.
- D289,865 S * 5/1987 Rosenwein D11/222
- 4,883,472 A 11/1989 Michel
- 4,936,833 A 6/1990 Sams
- D309,857 S 8/1990 Fenton
- 4,968,299 A 11/1990 Ahlstrand et al.
- (Continued)

FOREIGN PATENT DOCUMENTS

- WO WO-2013/156345 A2 10/2013
- WO WO-2016/091554 A1 6/2016

OTHER PUBLICATIONS

- U.S. Appl. No. 29/567,878, filed Jun. 13, 2016, Chuvashova et al.
- (Continued)

Primary Examiner — David G Muller
Assistant Examiner — Nathan M Johnston
 (74) *Attorney, Agent, or Firm* — Foley & Lardner LLP;
 Nicola A. Pisano

(57) **CLAIM**

We claim the ornamental design for a medicament delivery device, as shown and described.

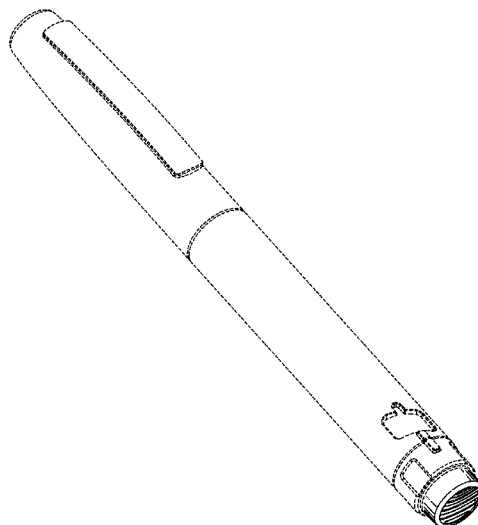
DESCRIPTION

FIG. 1 is a top plan view of the claimed design;
 FIG. 2 is a front elevation view thereof;
 FIG. 3 is a right side elevation view thereof;
 FIG. 4 is a bottom plan view thereof;
 FIG. 5 is a bottom perspective view thereof; and,
 FIG. 6 is a perspective view thereof.
 The dash dot lines immediately adjacent to the claimed area represent the boundaries of the claimed design. The broken lines in the figures illustrate the portions of the design and environment that form no part of the claimed design. None of the broken lines form any part of the claimed design.

1 Claim, 6 Drawing Sheets

(56) **References Cited**
U.S. PATENT DOCUMENTS

- D31,147 S 7/1899 Bryant
- 2,632,445 A 3/1953 Kas, Sr.
- 2,660,342 A 11/1953 Ruf
- 3,334,788 A 8/1967 Hamilton
- 4,413,760 A 11/1983 Paton
- 4,475,905 A 10/1984 Himmelstrup
- 4,498,904 A 2/1985 Turner et al.
- 4,592,745 A 6/1986 Rex et al.



(56)

References Cited

U.S. PATENT DOCUMENTS

D318,526	S *	7/1991	Chaney	D23/382	8,512,297	B2	8/2013	Veasey et al.
5,092,842	A	3/1992	Bechtold et al.		D689,395	S	9/2013	Chan
5,104,380	A	4/1992	Holman et al.		D696,771	S	12/2013	Schneider et al.
D326,434	S *	5/1992	Levy	D11/222	D703,314	S	4/2014	Schneider et al.
5,112,317	A	5/1992	Michel		8,740,860	B2	6/2014	Theucher
5,279,585	A	1/1994	Balkwill		D716,442	S	10/2014	Magome et al.
5,304,152	A	4/1994	Sams		D717,428	S	11/2014	Sendatzki et al.
5,674,204	A	10/1997	Chanoch		8,926,570	B2	1/2015	Chung
5,743,889	A	4/1998	Sams		D722,158	S	2/2015	Magome et al.
D405,520	S *	2/1999	Birdsell	D23/381	D728,420	S	5/2015	Leung
5,921,966	A	7/1999	Bendek et al.		D741,271	S	10/2015	Noack
5,957,896	A	9/1999	Bendek et al.		D743,538	S	11/2015	Sanders et al.
6,001,082	A *	12/1999	Dair	A61M 5/31525 604/187	D746,444	S	12/2015	Jones
6,221,046	B1	4/2001	Burroughs et al.		D752,210	S *	3/2016	Amend Kwasnik
D451,595	S *	12/2001	Chen	D23/382	D760,370	S *	6/2016	Herbst
D470,885	S	2/2003	Tahara		D773,038	S	11/2016	Tanner et al.
D479,080	S	9/2003	Damiano		D773,646	S	12/2016	Amend Kwasnik et al.
D492,027	S	6/2004	Tyce et al.		D773,650	S	12/2016	Fourt et al.
D496,336	S	9/2004	Wang		D777,908	S	1/2017	Amend Kwasnik et al.
D501,253	S	1/2005	Bainton		D780,621	S *	3/2017	Gardner
D503,797	S	4/2005	Tyce		2013/0131601	A1	5/2013	Pommereau et al.
D540,465	S	4/2007	Bainton		2014/0163478	A1	6/2014	Hoppe et al.
D545,895	S	7/2007	Okutani		2014/0249482	A1	9/2014	Wieselblad
D599,010	S	8/2009	Tyce		2015/0025473	A1	1/2015	Banik et al.
D599,011	S	8/2009	Tyce		2015/0073350	A1	3/2015	Einwachter
D626,231	S *	10/2010	Perchik	D24/145	2015/0080807	A1	3/2015	Schneider et al.
7,905,867	B2	3/2011	Veasey et al.		2015/0356273	A1	12/2015	Cave
D645,953	S *	9/2011	Peterson	D23/411	2016/0114107	A1	4/2016	Soerensen et al.
D654,537	S	2/2012	Hung					
D657,436	S *	4/2012	Tsai	D22/122				
D665,304	S	8/2012	Takeda					
D676,548	S	2/2013	Pala et al.					
D688,790	S	8/2013	Guarraia et al.					
D688,791	S *	8/2013	Guarraia	D24/113				

OTHER PUBLICATIONS

U.S. Appl. No. 29/567,883, filed Jun. 13, 2016, Chuvashova et al.
 U.S. Appl. No. 29/567,885, filed Jun. 13, 2016, Chuvashova et al.
 U.S. Appl. No. 29/567,881, filed Jun. 13, 2016, Chuvashova, Natalia.
 International Search Report & Written Opinion dated Feb. 18, 2016 in Int'l PCT Patent Application Serial No. PCT/EP2015/077139.

* cited by examiner

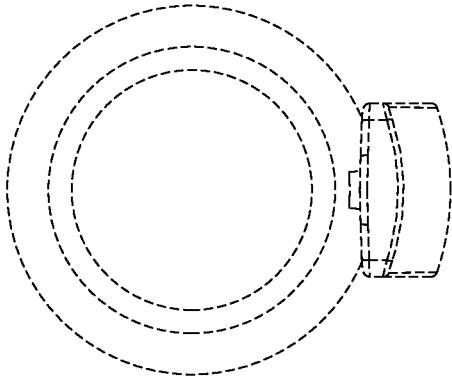


FIG. 1

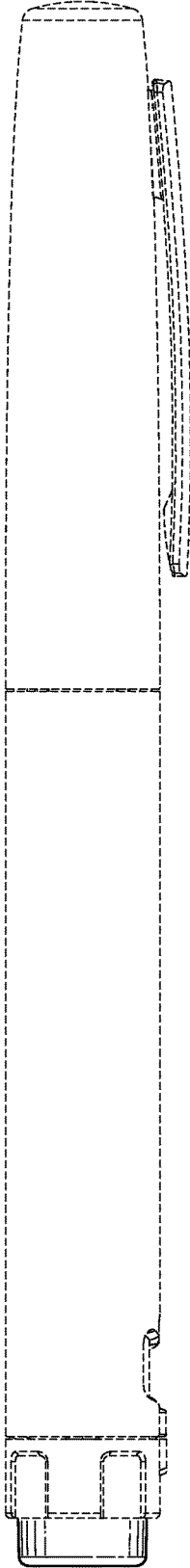


FIG. 2



FIG. 3

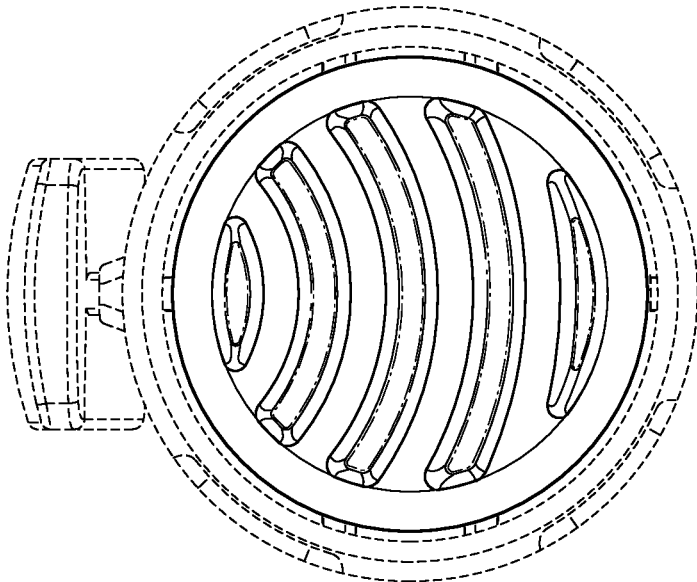


FIG. 4

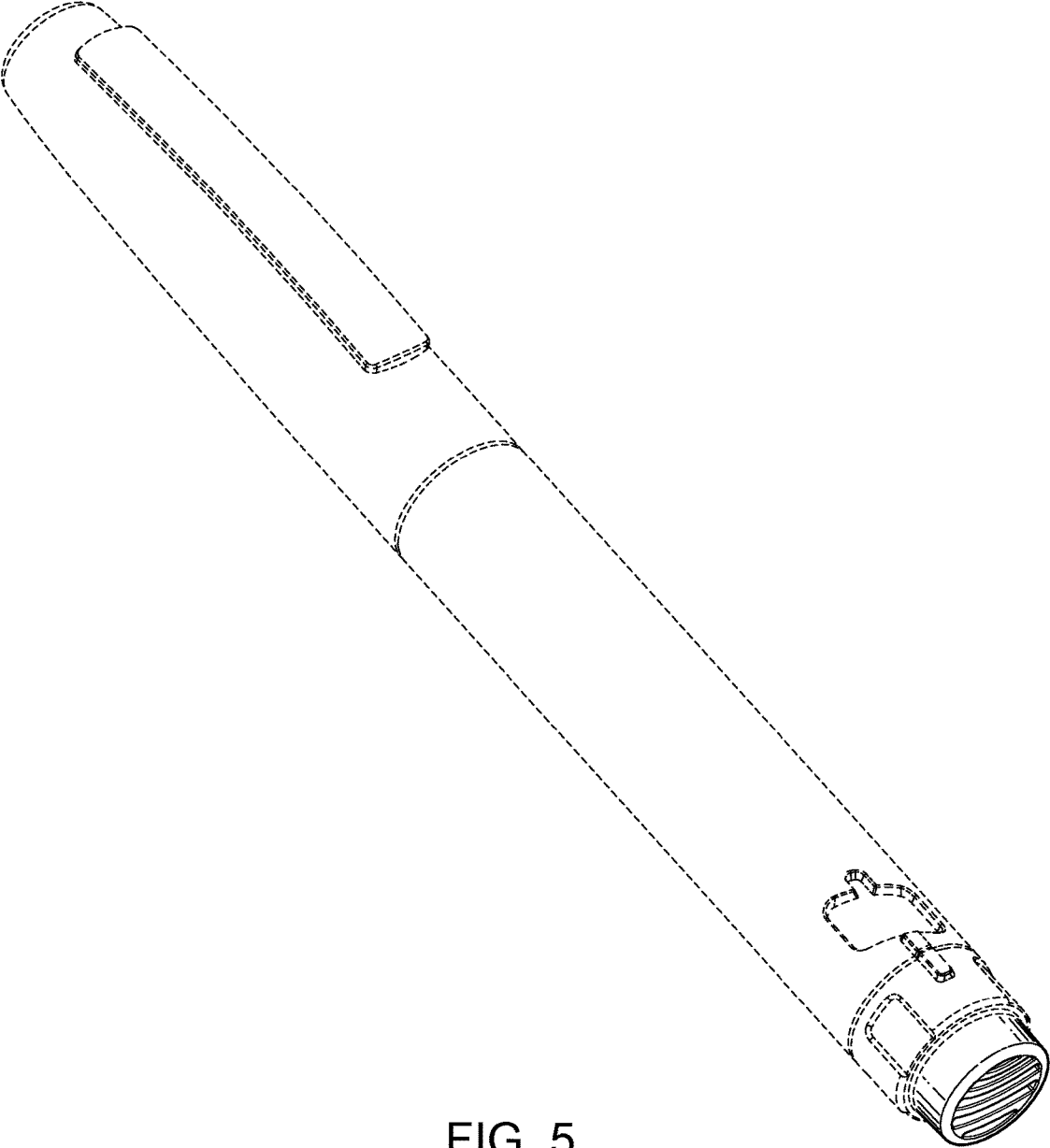


FIG. 5

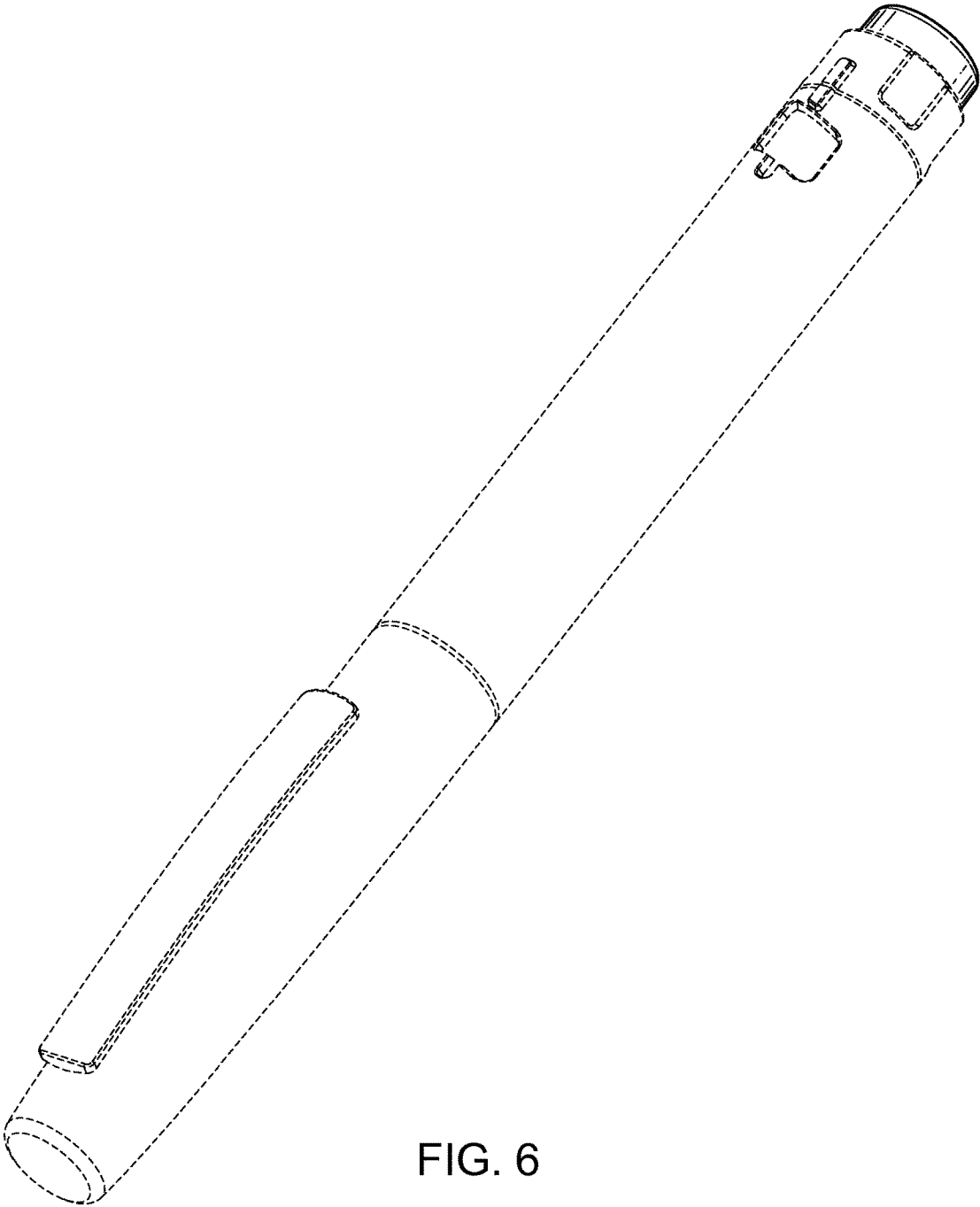


FIG. 6