

(12) UK Patent Application (19) GB (11) 2541556 (13) A

(43) Date of Reproduction by UK Office 22.02.2017

(21) Application No: 1615999.8
(22) Date of Filing: 16.03.2015
Date Lodged: 20.09.2016
(30) Priority Data:
(31) 61953190 (32) 14.03.2014 (33) US
(31) 61953219 (32) 14.03.2014 (33) US
(31) 62073308 (32) 31.10.2014 (33) US
(31) 62107108 (32) 23.01.2015 (33) US

(51) INT CL:
E01F 15/14 (2006.01)

(56) Documents Cited:
US 5891534 A US 5649369 A
US 5503496 A US 20130186016 A1
US 20130032773 A1

(58) Field of Search:
INT CL E01F, E04B, E04H
Other: PatBase, Google Scholar, YouTube

(86) International Application Data:
PCT/US2015/020770 En 16.03.2015

(87) International Publication Data:
WO2015/139042 En 17.09.2015

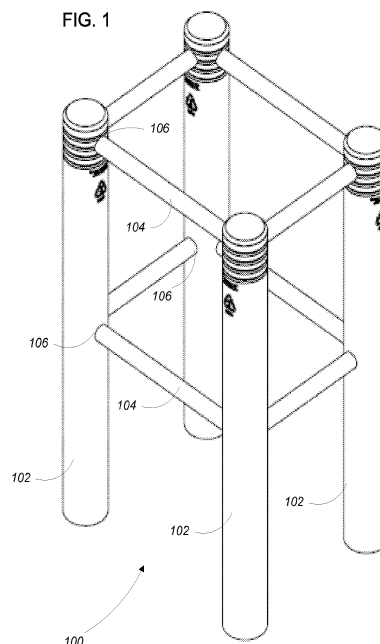
(71) Applicant(s):
McCue Corporation
13 Centennial Drive, Peabody 01960, MA,
United States of America

(72) Inventor(s):
David S McCue
Thomas Ustach
Timothy Stratford

(74) Agent and/or Address for Service:
Richard Turner
Room 3 The Rufus Centre, Steppingley Road,
FLITWICK, Bedfordshire, MK45 1AH, United Kingdom

(54) Title of the Invention: **Impact absorbing barrier**
Abstract Title: **Impact absorbing barrier**

(57) An impact absorbing barrier includes a plurality of posts and a plurality of rails. Each post of the plurality of posts includes an impact absorption mechanism. Each rail of the plurality of rails includes a first end coupled to a first post of the plurality of posts and a second end coupled to a second, different post of the plurality of posts. The coupling between the first end and the first post and the coupling between the second end and the second post cause at least some of a force of a collision on the first post to be transferred to the impact absorption mechanism of the second post.



GB 2541556 A