



(43) International Publication Date
27 August 2015 (27.08.2015)

- (51) International Patent Classification:
B62B 1/00 (2006.01) *B62B 1/20* (2006.01)
- (21) International Application Number:
PCT/NZ2015/050015
- (22) International Filing Date:
19 February 2015 (19.02.2015)
- (25) Filing Language: English
- (26) Publication Language: English
- (30) Priority Data:
621499 20 February 2014 (20.02.2014) NZ
- (71) Applicant: METAL TECHNICS LTD [NZ/NZ]; 17
Holly Grove, Maungaraki (NZ).
- (72) Inventor: HIESTAND, Bernard Anton; 17 Holly Grove,
Maungaraki (NZ).
- (74) Agents: ELLIS TERRY et al.; PO Box 10932, The Ter-
race, Wellington, 6143 (NZ).
- (81) Designated States (unless otherwise indicated, for every
kind of national protection available): AE, AG, AL, AM,
AO, AT, AU, AZ, BA, BB, BG, BH, BN, BR, BW, BY,
BZ, CA, CH, CL, CN, CO, CR, CU, CZ, DE, DK, DM,
DO, DZ, EC, EE, EG, ES, FI, GB, GD, GE, GH, GM, GT,

HN, HR, HU, ID, IL, IN, IR, IS, JP, KE, KG, KN, KP, KR,
KZ, LA, LC, LK, LR, LS, LU, LY, MA, MD, ME, MG,
MK, MN, MW, MX, MY, MZ, NA, NG, NI, NO, NZ, OM,
PA, PE, PG, PH, PL, PT, QA, RO, RS, RU, RW, SA, SC,
SD, SE, SG, SK, SL, SM, ST, SV, SY, TH, TJ, TM, TN,
TR, TT, TZ, UA, UG, US, UZ, VC, VN, ZA, ZM, ZW.

(84) Designated States (unless otherwise indicated, for every
kind of regional protection available): ARIPO (BW, GH,
GM, KE, LR, LS, MW, MZ, NA, RW, SD, SL, ST, SZ,
TZ, UG, ZM, ZW), Eurasian (AM, AZ, BY, KG, KZ, RU,
TJ, TM), European (AL, AT, BE, BG, CH, CY, CZ, DE,
DK, EE, ES, FI, FR, GB, GR, HR, HU, IE, IS, IT, LT, LU,
LV, MC, MK, MT, NL, NO, PL, PT, RO, RS, SE, SI, SK,
SM, TR), OAPI (BF, BJ, CF, CG, CI, CM, GA, GN, GQ,
GW, KM, ML, MR, NE, SN, TD, TG).

Published:

- with international search report (Art. 21(3))
- before the expiration of the time limit for amending the
claims and to be republished in the event of receipt of
amendments (Rule 48.2(h))

(88) Date of publication of the international search report:
10 March 2016

(54) Title: A BARROW

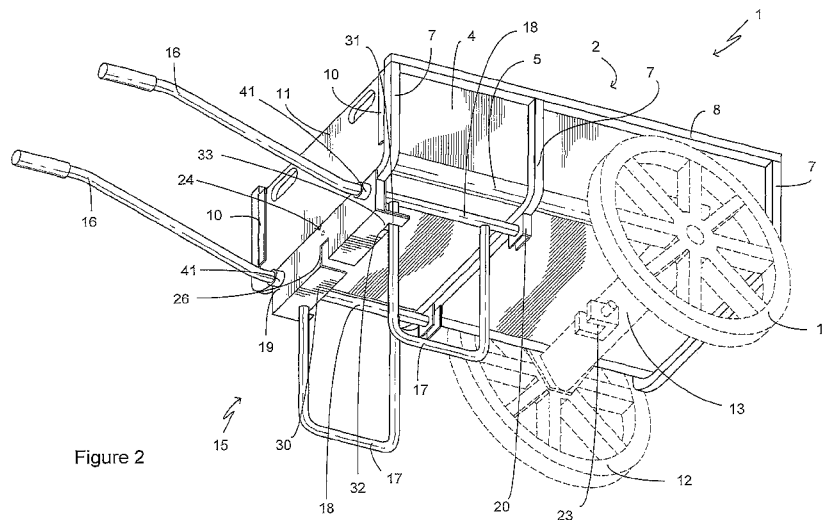


Figure 2

(57) Abstract: A barrow (1) includes a tray (2); one or more wheels (12); one or more removable handles (16), each including a first handle coupling (40); one or more leg units (15), each including a leg (17) having a folded position in which the leg is folded against the tray and an unfolded position in which the leg extends downwards from the tray; and one or more second handle couplings (41) each configured to couple with one of the first handle couplings (40) to attach one of the one or more removable handles (16) to the barrow; wherein attachment of the one or more removable handles (16) to the barrow locks the one or more legs (17) in the unfolded position. The barrow may be convertible between a barrow configuration and a trailer configuration.



INTERNATIONAL SEARCH REPORT

International application No
PCT/NZ2015/050015

A. CLASSIFICATION OF SUBJECT MATTER
INV. B62B1/00 B62B1/20
ADD.
According to International Patent Classification (IPC) or to both national classification and IPC

B. FIELDS SEARCHED
Minimum documentation searched (classification system followed by classification symbols)
B62B
Documentation searched other than minimum documentation to the extent that such documents are included in the fields searched

Electronic data base consulted during the international search (name of data base and, where practicable, search terms used)
EPO-Internal, WPI Data

C. DOCUMENTS CONSIDERED TO BE RELEVANT

Category*	Citation of document, with indication, where appropriate, of the relevant passages	Relevant to claim No.
A	DE 20 2005 000487 U1 (VON MELLE DANIELA A [DE]) 17 March 2005 (2005-03-17) paragraph [0008] - paragraph [0011]; figures 1, 2	1-25
A	----- US 4 789 171 A (PORTER LYNN L [US]) 6 December 1988 (1988-12-06) cited in the application column 2, line 53 - column 5, line 15; figures 2, 8	1-25
A	----- WO 2006/022728 A2 (SHAPIRO RICHARD N [US]) 2 March 2006 (2006-03-02) page 10, line 24 - page 12, line 22; figures 9, 9A, 10	1-25
	----- -/--	

Further documents are listed in the continuation of Box C.

See patent family annex.

* Special categories of cited documents :

- "A" document defining the general state of the art which is not considered to be of particular relevance
- "E" earlier application or patent but published on or after the international filing date
- "L" document which may throw doubts on priority claim(s) or which is cited to establish the publication date of another citation or other special reason (as specified)
- "O" document referring to an oral disclosure, use, exhibition or other means
- "P" document published prior to the international filing date but later than the priority date claimed

- "T" later document published after the international filing date or priority date and not in conflict with the application but cited to understand the principle or theory underlying the invention
- "X" document of particular relevance; the claimed invention cannot be considered novel or cannot be considered to involve an inventive step when the document is taken alone
- "Y" document of particular relevance; the claimed invention cannot be considered to involve an inventive step when the document is combined with one or more other such documents, such combination being obvious to a person skilled in the art
- "&" document member of the same patent family

Date of the actual completion of the international search 8 January 2016	Date of mailing of the international search report 21/01/2016
Name and mailing address of the ISA/ European Patent Office, P.B. 5818 Patentlaan 2 NL - 2280 HV Rijswijk Tel. (+31-70) 340-2040, Fax: (+31-70) 340-3016	Authorized officer Wochinz, Reinmar

INTERNATIONAL SEARCH REPORT

International application No
PCT/NZ2015/050015

C(Continuation). DOCUMENTS CONSIDERED TO BE RELEVANT

Category*	Citation of document, with indication, where appropriate, of the relevant passages	Relevant to claim No.
A	US 4 740 008 A (JOHNSON JAMES A [US]) 26 April 1988 (1988-04-26) column 3, line 35 - column 5, line 13; figures 1, 2, 4 -----	1-25

INTERNATIONAL SEARCH REPORT

Information on patent family members

International application No

PCT/NZ2015/050015

Patent document cited in search report	Publication date	Patent family member(s)	Publication date
DE 202005000487 U1	17-03-2005	NONE	
US 4789171 A	06-12-1988	NONE	
WO 2006022728 A2	02-03-2006	NONE	
US 4740008 A	26-04-1988	NONE	