



US00D761605S

(12) **United States Design Patent**
Akkad

(10) **Patent No.:** **US D761,605 S**

(45) **Date of Patent:** **** Jul. 19, 2016**

(54) **WEBBED SAUCER CHAIR WITH SEAT PAD**

(71) Applicant: **Idea Nuova, Inc.**, New York, NY (US)

(72) Inventor: **Benjamin S. Akkad**, New York, NY (US)

(73) Assignee: **Idea Nuova, Inc.**, New York, NY (US)

(**) Term: **14 Years**

(21) Appl. No.: **29/499,511**

(22) Filed: **Aug. 15, 2014**

(51) **LOC (10) Cl.** **06-01**

(52) **U.S. Cl.**
USPC **D6/716; D6/368**

(58) **Field of Classification Search**
USPC D6/334–336, 368, 369, 371–373, 375,
D6/716, 716.1, 716.4
CPC A47C 4/00; A47C 4/24; A47C 4/28;
A47C 4/30; A47C 4/42; A47C 4/48; A47C
7/282; A47C 7/285

See application file for complete search history.

(56) **References Cited**

U.S. PATENT DOCUMENTS

| | | |
|-------------|---------|------------|
| 244,216 A | 7/1881 | Fenby |
| 398,943 A | 3/1889 | Crandall |
| 615,476 A | 12/1898 | Chapman |
| 1,027,692 A | 5/1912 | Cole |
| 1,185,568 A | 5/1916 | Zeunert |
| 1,263,717 A | 4/1918 | Stone |
| 1,443,734 A | 1/1923 | Clyde |
| D80,605 S | 3/1930 | Chapman |
| D90,572 S | 8/1933 | Brown |
| 1,939,743 A | 12/1933 | Warner |
| 1,942,112 A | 1/1934 | McQuilkin |
| D121,141 S | 6/1940 | Larsen |
| 2,381,574 A | 8/1945 | Clarín |
| D151,967 S | 12/1948 | Cunningham |
| 2,473,090 A | 6/1949 | Becker |

| | | |
|-------------|---------|-----------|
| 2,587,543 A | 2/1952 | Smith |
| 2,590,049 A | 3/1952 | Sidlinger |
| D168,212 S | 11/1952 | Cicchelli |
| D168,843 S | 2/1953 | Johnson |
| D168,993 S | 3/1953 | Gould |
| D169,338 S | 4/1953 | Risley |
| 2,649,901 A | 8/1953 | Johnson |

(Continued)

FOREIGN PATENT DOCUMENTS

| | | |
|----|------------|--------|
| CN | 87201431 U | 2/1988 |
| CN | 2103938 U | 5/1992 |

(Continued)

OTHER PUBLICATIONS

U.S. Appl. No. 29/510,669 by Akkad, filed Dec. 2, 2014.

(Continued)

Primary Examiner — Mimosá De

(74) *Attorney, Agent, or Firm* — Panitch Schwarze Belisario & Nadel LLP

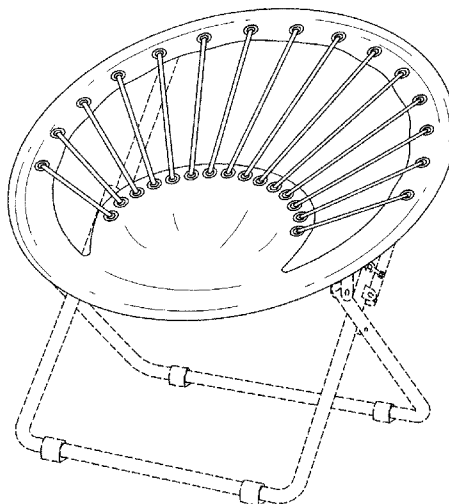
(57) **CLAIM**

The ornamental design for a webbed saucer chair with seat pad, as shown and described.

DESCRIPTION

FIG. 1 is a front perspective view of a webbed saucer chair with seat pad in accordance with my new design; FIG. 2 is a front elevation view thereof; FIG. 3 is a left side elevation view thereof, a right side elevation view thereof being a mirror image; FIG. 4 is a rear elevation view thereof; FIG. 5 is a top plan view thereof; and, FIG. 6 is a bottom plan view thereof. The broken lines in the figures are for the purpose of showing environmental structure and form no part of the claimed design.

1 Claim, 5 Drawing Sheets



(56)

References Cited

U.S. PATENT DOCUMENTS

| | | | | | |
|-------------|---------|---------------------|--------------|---------|-----------------|
| D171,176 S | 12/1953 | Yellen | D372,366 S | 8/1996 | Frinier |
| D171,265 S | 1/1954 | Phillips | 5,580,129 A | 12/1996 | Findlay |
| D171,610 S | 3/1954 | Morrison | D380,306 S | 7/1997 | Lin |
| 2,684,709 A | 7/1954 | Schawinsky | D382,126 S | 8/1997 | Lee |
| 2,691,410 A | 10/1954 | Boucher | D382,414 S | 8/1997 | Lee |
| 2,712,349 A | 7/1955 | LeVoir | 5,718,473 A | 2/1998 | Lynch, Jr. |
| 2,713,890 A | 7/1955 | Mack | 5,848,822 A | 12/1998 | Wu |
| 2,723,712 A | 11/1955 | Yellen | 5,893,605 A | 4/1999 | Chang |
| 2,727,564 A | 12/1955 | Gruber | D411,387 S | 6/1999 | Zheng |
| 2,733,755 A | 2/1956 | Boucher | D411,693 S | 6/1999 | Navone |
| D177,783 S | 5/1956 | Witty | 5,979,976 A | 11/1999 | Ferencik |
| 2,763,318 A | 9/1956 | Bertoia | 5,984,406 A | 11/1999 | Lee |
| D178,900 S | 10/1956 | O'Neill | 6,045,177 A | 4/2000 | Grace |
| D179,376 S | 12/1956 | Breed | 6,056,354 A | 5/2000 | Tseng |
| D180,210 S | 4/1957 | Uretsky | 6,082,813 A | 7/2000 | Chen |
| D181,995 S | 1/1958 | Odor, Jr. | 6,095,607 A | 8/2000 | Wenzel |
| D183,743 S | 10/1958 | Howell, Jr. | 6,112,757 A | 9/2000 | Tseng |
| D184,202 S | 12/1958 | Yuen | D431,382 S | 10/2000 | Eloge et al. |
| 2,902,084 A | 9/1959 | Stevens | D432,325 S | 10/2000 | Zheng et al. |
| 2,916,744 A | 12/1959 | May | D432,823 S | 10/2000 | Zheng |
| 2,930,430 A | 3/1960 | Bloom | D433,244 S | 11/2000 | Zheng |
| D197,599 S | 3/1964 | Moore | D433,574 S | 11/2000 | Zheng |
| 3,123,396 A | 3/1964 | Searle | 6,149,238 A | 11/2000 | Tsai |
| 3,124,387 A | 3/1964 | MacLaren | 6,179,374 B1 | 1/2001 | Tang |
| 3,136,272 A | 6/1964 | Sprigman | 6,209,951 B1 | 4/2001 | Han |
| 3,180,685 A | 4/1965 | Rogalski | 6,231,119 B1 | 5/2001 | Zheng |
| 3,635,520 A | 1/1972 | Roher et al. | 6,237,993 B1 | 5/2001 | Zheng |
| 3,656,808 A | 4/1972 | Chang | 6,238,001 B1 | 5/2001 | Yoran |
| 3,694,030 A | 9/1972 | Grosfillex | 6,241,311 B1 | 6/2001 | Zheng |
| D228,593 S | 10/1973 | Chang | 6,247,748 B1 | 6/2001 | Zheng |
| 3,767,192 A | 10/1973 | Eriksson | 6,264,271 B1 | 7/2001 | Munn et al. |
| 3,838,883 A | 10/1974 | Machen | 6,283,046 B1 | 9/2001 | Tseng |
| 3,941,416 A | 3/1976 | Uchida | 6,296,304 B1 | 10/2001 | Zheng |
| D241,290 S | 9/1976 | Walker | 6,302,479 B1 | 10/2001 | Zheng |
| D244,975 S | 7/1977 | Steinberger | 6,312,343 B1 | 11/2001 | Cho |
| 4,045,045 A | 8/1977 | Boucher et al. | 6,322,138 B1 | 11/2001 | Tang |
| 4,047,752 A | 9/1977 | Rohr | 6,332,646 B1 | 12/2001 | Tseng |
| 4,105,244 A | 8/1978 | Colby | 6,354,657 B1 | 3/2002 | Nelson et al. |
| 4,118,065 A | 10/1978 | Watkins | 6,364,411 B1 | 4/2002 | Zheng |
| 4,193,630 A | 3/1980 | Steele | 6,371,553 B1 | 4/2002 | Tang |
| D256,409 S | 8/1980 | Wilson | D456,628 S | 5/2002 | Satoshi |
| 4,231,582 A | 11/1980 | Moss | 6,382,715 B1 | 5/2002 | Tang |
| 4,258,951 A | 3/1981 | Groom | 6,382,729 B1 | 5/2002 | Wu |
| 4,290,643 A | 9/1981 | Logan, 3rd. | 6,402,230 B1 | 6/2002 | Tang |
| D262,674 S | 1/1982 | Logan, 3rd | D460,280 S | 7/2002 | Fox |
| D264,405 S | 5/1982 | Adkinson | 6,419,311 B1 | 7/2002 | Tang |
| D267,057 S | 11/1982 | Koehm | 6,447,057 B1 | 9/2002 | Chen |
| D270,557 S | 9/1983 | Williams | 6,454,348 B1 | 9/2002 | Wu |
| 4,421,356 A | 12/1983 | Singer | 6,488,331 B2 | 12/2002 | Chen |
| 4,514,009 A | 4/1985 | Vanderminde et al. | 6,494,530 B1 | 12/2002 | Zheng |
| 4,605,261 A | 8/1986 | Lee | D468,939 S | 1/2003 | Zheng |
| D287,909 S | 1/1987 | Weiss | 6,505,885 B1 | 1/2003 | Tang |
| 4,652,047 A | 3/1987 | Chan | 6,547,322 B2 | 4/2003 | Marx |
| D290,557 S | 6/1987 | Salvati et al. | 6,554,717 B2 | 4/2003 | Cho |
| 4,671,566 A | 6/1987 | Knapp et al. | D475,860 S | 6/2003 | Yang |
| 4,685,725 A | 8/1987 | Helfrich | 6,601,912 B1 | 8/2003 | Chen |
| D292,048 S | 9/1987 | Shaffer | 6,607,240 B2 | 8/2003 | Zheng |
| 4,715,650 A | 12/1987 | Berman et al. | 6,629,722 B1 | 10/2003 | Tang |
| 4,717,201 A | 1/1988 | Barras | 6,634,705 B1 | 10/2003 | Zheng |
| 4,789,123 A | 12/1988 | Mattsson | 6,637,811 B2 | 10/2003 | Zheng |
| 4,826,241 A | 5/1989 | Barras | 6,644,731 B2 | 11/2003 | Tang |
| 4,867,505 A | 9/1989 | Parker | 6,669,281 B1 | 12/2003 | Huang |
| 4,889,383 A | 12/1989 | Jones | 6,682,135 B2 | 1/2004 | Zheng |
| 4,934,638 A | 6/1990 | Davis | D486,310 S | 2/2004 | Goldy |
| D310,605 S | 9/1990 | Kwon | 6,698,827 B2 | 3/2004 | Le Gette et al. |
| 5,058,950 A | 10/1991 | Mann | 6,702,371 B2 | 3/2004 | Zheng |
| 5,176,393 A | 1/1993 | Robertson et al. | 6,715,824 B2 | 4/2004 | Zheng |
| 5,246,265 A | 9/1993 | Nagan et al. | 6,736,450 B2 | 5/2004 | Miyagi |
| 5,320,404 A | 6/1994 | Le Gal | 6,755,462 B2 | 6/2004 | Zheng |
| 5,335,967 A | 8/1994 | Vanderminde, Sr. | 6,779,838 B2 | 8/2004 | Chang |
| D352,623 S | 11/1994 | McGuire | 6,814,403 B2 | 11/2004 | Zheng |
| 5,494,333 A | 2/1996 | Wilson | 6,817,661 B2 | 11/2004 | Zheng |
| 5,496,094 A | 3/1996 | Schwartzkopf et al. | 6,817,671 B1 | 11/2004 | Zheng |
| 5,499,857 A | 3/1996 | Lynch, Jr. | 6,820,927 B2 | 11/2004 | Isom et al. |
| 5,522,642 A | 6/1996 | Herzog | 6,824,207 B1 | 11/2004 | Lin |
| | | | 6,824,208 B2 | 11/2004 | Zheng |
| | | | 6,824,210 B2 | 11/2004 | Zheng |
| | | | D499,258 S | 12/2004 | Tseng |
| | | | D500,605 S | 1/2005 | Schmidt et al. |

(56)

References Cited

U.S. PATENT DOCUMENTS

6,840,573 B1 1/2005 Yao
 6,840,574 B1 1/2005 Wu
 6,848,740 B1 2/2005 Reese
 D503,554 S 4/2005 Kay
 6,877,814 B2 4/2005 Lin
 6,883,862 B1 4/2005 Yao
 6,899,383 B2 5/2005 Hwang
 D507,892 S 8/2005 Zheng
 6,926,355 B2 8/2005 Le Gette et al.
 6,926,356 B2 8/2005 Chen
 6,932,425 B1 8/2005 Tseng
 6,938,951 B1 9/2005 Tseng
 6,957,852 B1 10/2005 Hsieh
 D512,233 S 12/2005 Bongaerts
 D515,830 S 2/2006 Zheng
 6,997,634 B2 2/2006 Zheng
 7,000,983 B1 2/2006 Tsai
 D516,825 S 3/2006 Zheng
 D516,826 S 3/2006 Zheng
 D517,819 S 3/2006 Zheng
 7,011,372 B1 3/2006 Hsieh
 7,011,374 B1 3/2006 Hsieh
 7,017,985 B2 3/2006 Chen
 D522,263 S 6/2006 Hart
 7,073,852 B1 7/2006 Zheng
 D528,317 S 9/2006 Tseng
 7,100,877 B2 9/2006 Bourke et al.
 7,100,975 B1 9/2006 Zheng
 D529,304 S 10/2006 Le Gal
 D529,728 S 10/2006 Le Gal
 D530,112 S 10/2006 Wilson et al.
 7,140,689 B2 11/2006 Zheng
 7,144,078 B2 12/2006 Hsieh
 7,178,864 B2 2/2007 Hsieh
 7,219,955 B2 5/2007 Lu et al.
 7,229,128 B2 6/2007 Lee
 7,229,131 B2 6/2007 Chen
 7,264,245 B2 9/2007 Cho
 D554,873 S 11/2007 Ma
 D555,378 S 11/2007 Tsai
 7,328,940 B2 2/2008 Zheng
 7,396,073 B2 7/2008 Zheng
 7,404,601 B2 7/2008 Chen
 7,441,287 B2 10/2008 Zheng
 7,600,810 B2 10/2009 Chen et al.
 D607,222 S 1/2010 Bassam et al.
 D608,104 S 1/2010 Vonnegut
 7,648,421 B2 1/2010 Yoon
 7,878,585 B2 2/2011 Salisbury
 7,938,489 B2 5/2011 Nazari
 D649,800 S 12/2011 Lievore et al.
 D656,326 S 3/2012 Soewondo
 D661,360 S 6/2012 Campanaro et al.
 8,282,509 B1 10/2012 Michaelson et al.
 D677,920 S 3/2013 Christakos
 D681,970 S 5/2013 Christakos
 D683,156 S 5/2013 Christakos
 D688,057 S * 8/2013 Christakos D6/368
 D691,384 S 10/2013 Akkad
 D703,460 S 4/2014 Kreuzer et al.
 D709,708 S 7/2014 Tseng
 D710,120 S 8/2014 Tseng
 D710,136 S 8/2014 Wu
 D710,137 S 8/2014 Wu
 D710,138 S 8/2014 Wu
 D710,639 S 8/2014 Wu
 D711,128 S 8/2014 Christakos et al.
 D711,129 S 8/2014 Christakos et al.
 D711,130 S 8/2014 Christakos et al.
 D711,131 S 8/2014 Christakos et al.
 D711,132 S 8/2014 Christakos et al.
 D711,133 S 8/2014 Christakos et al.
 D711,134 S 8/2014 Christakos et al.
 D711,135 S 8/2014 Christakos et al.
 D711,136 S 8/2014 Christakos et al.

D711,137 S 8/2014 Christakos et al.
 D711,138 S 8/2014 Christakos et al.
 D711,139 S 8/2014 Christakos et al.
 D711,140 S 8/2014 Christakos et al.
 D711,141 S 8/2014 Christakos et al.
 D711,142 S 8/2014 Christakos et al.
 D711,143 S 8/2014 Christakos et al.
 D711,144 S 8/2014 Christakos et al.
 D711,145 S 8/2014 Christakos
 D711,148 S 8/2014 Christakos
 D711,149 S 8/2014 Christakos
 D711,150 S 8/2014 Christakos
 D711,151 S 8/2014 Christakos
 D712,185 S 9/2014 Akkad
 D713,191 S 9/2014 Akkad
 D716,574 S 11/2014 Akkad
 D718,546 S 12/2014 Christakos
 D718,547 S 12/2014 Christakos
 D718,548 S 12/2014 Shinall
 D718,549 S 12/2014 Akkad
 D720,550 S 1/2015 Akkad
 D720,551 S 1/2015 Mueller
 8,955,904 B1 2/2015 Zhu
 D731,803 S 6/2015 Christakos
 D737,587 S 9/2015 Akkad
 D738,640 S * 9/2015 Akkad D6/368
 2002/0024240 A1 2/2002 Chen
 2002/0043822 A1 4/2002 Choi et al.
 2002/0074834 A1 6/2002 Summar et al.
 2002/0183128 A1 12/2002 Cho
 2003/0006632 A1 1/2003 Ku
 2003/0015892 A1 1/2003 Wu
 2003/0020304 A1 1/2003 Zheng
 2003/0052518 A1 3/2003 Zheng
 2003/0057741 A1 3/2003 Zheng
 2003/0057747 A1 3/2003 Johnston
 2003/0060309 A1 3/2003 Smith
 2003/0094836 A1 5/2003 Chen
 2003/0111872 A1 6/2003 Zheng
 2003/0111874 A1 6/2003 Zheng
 2003/0127885 A1 7/2003 Tang
 2003/0234561 A1 12/2003 Zheng
 2004/0007903 A1 1/2004 Chang
 2004/0036323 A1 2/2004 Hwang
 2004/0066075 A1 4/2004 Yeh
 2004/0094996 A1 5/2004 Zheng
 2004/0094997 A1 5/2004 Zheng
 2004/0113476 A1 6/2004 Chang
 2004/0130190 A1 7/2004 Zheng
 2004/0135405 A1 7/2004 Zheng
 2004/0232740 A1 11/2004 Enge
 2004/0245810 A1 12/2004 Tseng
 2005/0077758 A1 4/2005 Reese
 2005/0088018 A1 * 4/2005 Yao A47C 4/00
 297/16.1
 2005/0236873 A1 10/2005 Edward
 2005/0248202 A1 11/2005 Zheng
 2006/0186711 A1 8/2006 Phipps
 2006/0249991 A1 * 11/2006 Hsieh A47C 4/48
 297/16.1
 2007/0029846 A1 2/2007 Cohen
 2007/0102974 A1 5/2007 Chen
 2007/0187998 A1 * 8/2007 Chen A47C 4/28
 297/45
 2007/0200395 A1 8/2007 Zheng
 2007/0267901 A1 11/2007 Zheng
 2008/0224504 A1 9/2008 Fargason
 2008/0231088 A1 9/2008 Zheng
 2010/0164256 A1 7/2010 Salisbury
 2010/0231015 A1 9/2010 Lundeen
 2011/0043003 A1 2/2011 Akkad

FOREIGN PATENT DOCUMENTS

CN 2117779 U 10/1992
 CN 2137107 Y 6/1993
 CN 2179041 Y 10/1994
 CN 2188885 Y 2/1995
 CN 2196945 Y 5/1995

(56)

References Cited

FOREIGN PATENT DOCUMENTS

| | | | |
|----|------------|----|---------|
| CN | 1139537 | A | 1/1997 |
| CN | 2326083 | Y | 6/1999 |
| CN | 2328266 | Y | 7/1999 |
| CN | 2339063 | Y | 9/1999 |
| CN | 2349884 | Y | 11/1999 |
| CN | 2367154 | Y | 3/2000 |
| EP | 139306 | A1 | 5/1985 |
| EP | 997090 | A1 | 5/2000 |
| FR | 2833824 | A1 | 6/2003 |
| FR | 2837081 | A1 | 9/2003 |
| GB | 599760 | A | 3/1948 |
| GB | 2022405 | A | 12/1979 |
| GB | 2025213 | A | 1/1980 |
| GB | 2331233 | A | 5/1999 |
| JP | 38-12532 | | 6/1938 |
| JP | 50123508 | A | 9/1975 |
| JP | 51127856 | A | 11/1976 |
| JP | 55120347 | A | 9/1980 |
| JP | 2001070077 | A | 3/2001 |
| JP | 2002165667 | A | 6/2002 |
| JP | 2002233429 | A | 8/2002 |

| | | | |
|----|------------|----|---------|
| JP | 2002360371 | A | 12/2002 |
| JP | 2004105557 | A | 4/2004 |
| WO | 2004021835 | A1 | 3/2004 |

OTHER PUBLICATIONS

U.S. Appl. No. 29/510,671 by Akkad, filed Dec. 2, 2014.
 U.S. Appl. No. 29/510,672 by Akkad, filed Dec. 2, 2014.
 U.S. Appl. No. 29/506,379 by Akkad, filed Oct. 15, 2014.
 U.S. Appl. No. 29/510,668 by Akkad, filed Dec. 2, 2014.
 Office Action Issued Oct. 18, 2010 in U.S. Appl. No. 12/544,256.
 U.S. Appl. No. 13/570,472 by Akkad, filed Aug. 9, 2012.
 U.S. Appl. No. 29/434,983 by Akkad, filed Oct. 18, 2012.
 Office Action issued Jan. 28, 2014 in CA Application No. 2,791,594.
 Office Action issued Sep. 20, 2013 in U.S. Appl. No. 13/570,472 by Akkad.
 Office Action issued Jan. 14, 2014 in U.S. Appl. No. 13/570,472 by Akkad.
 U.S. Appl. No. 29/483,471 by Akkad, filed Feb. 28, 2014.
 U.S. Appl. No. 29/483,488 by Akkad, filed Feb. 28, 2014.
 U.S. Appl. No. 29/478,866 by Akkad, filed Jan. 9, 2014.
 U.S. Appl. No. 29/493,606 by Akkad, filed Jun. 11, 2014.
 U.S. Appl. No. 29/493,607 by Akkad, filed Jun. 11, 2014.

* cited by examiner

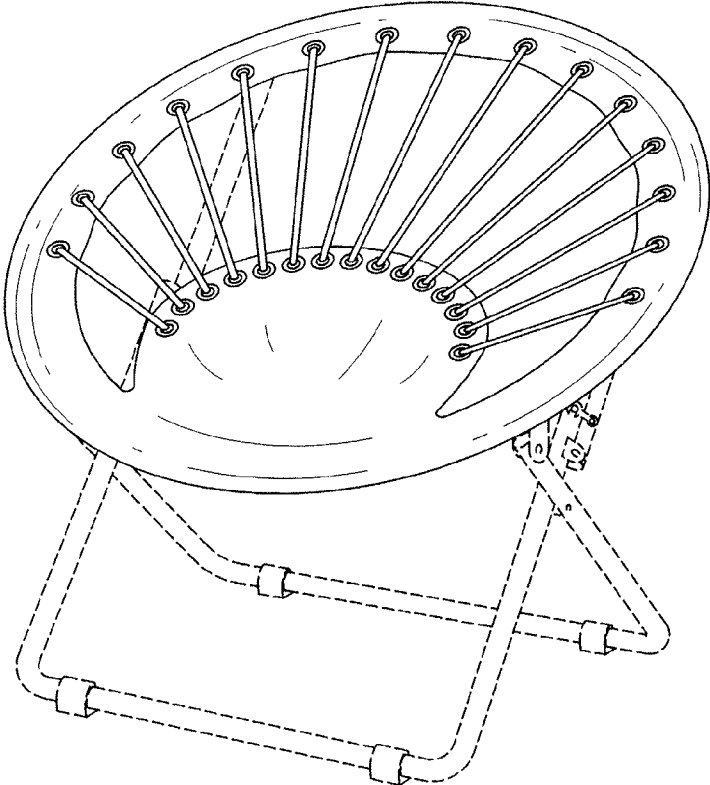


Fig. 1

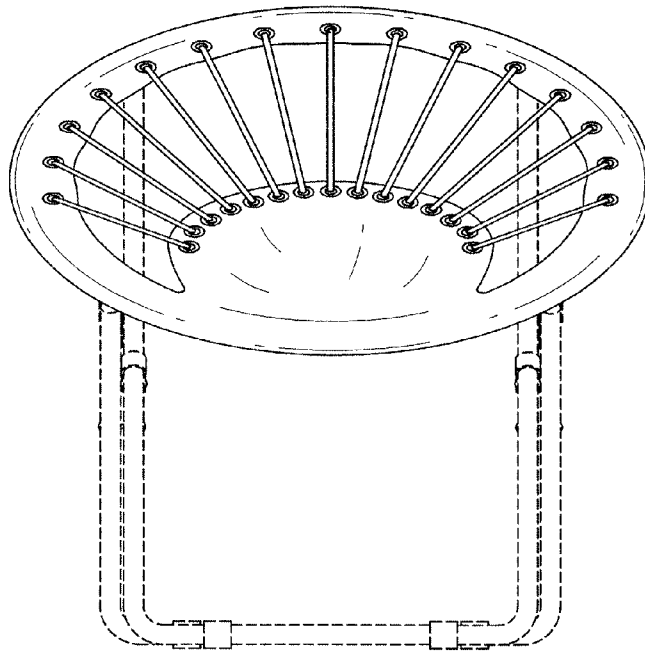


Fig. 2

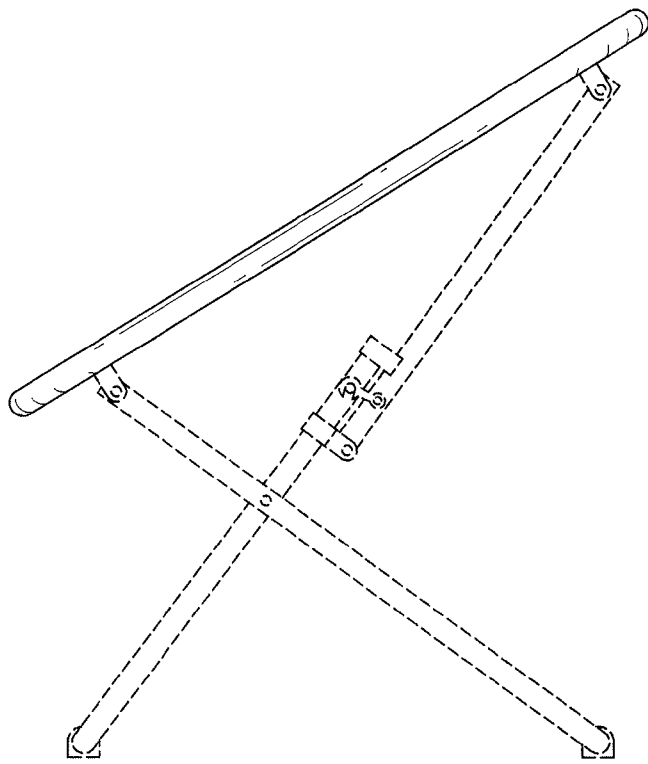


Fig. 3

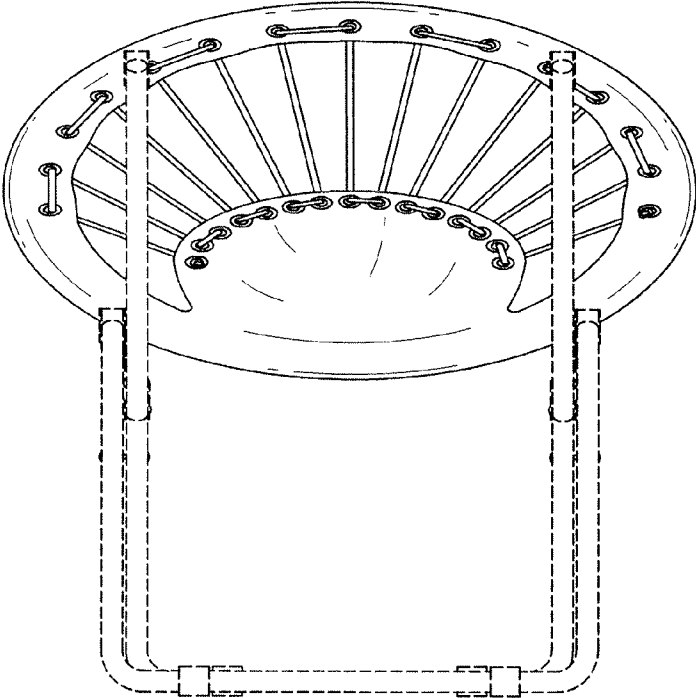


Fig. 4

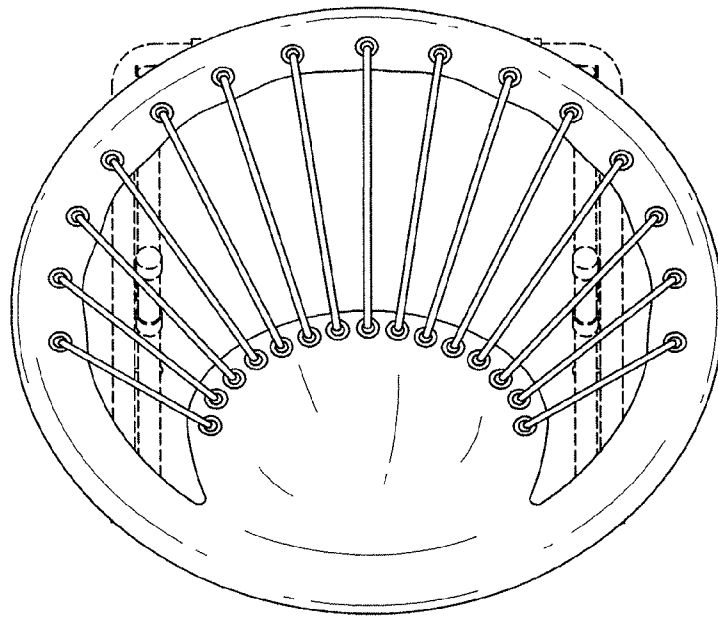


Fig. 5

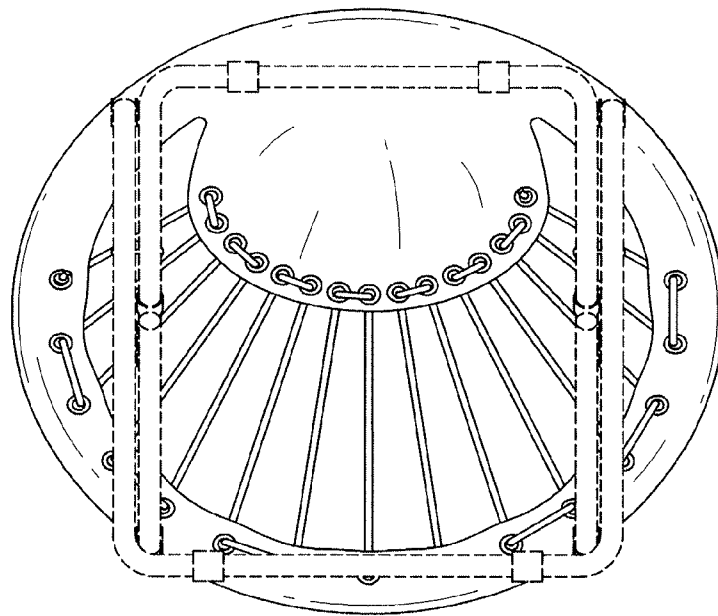


Fig. 6