



US00D667802S

(12) **United States Design Patent**
Otaki et al.

(10) **Patent No.:** **US D667,802 S**

(45) **Date of Patent:** **** Sep. 25, 2012**

(54) **LIGHT-EMITTING DIODE**

(75) Inventors: **You Otaki**, Minamitsuru-gun (JP); **Kana Wada**, Saitama (JP)

(73) Assignees: **Citizen Electronics Co., Ltd.**, Yamanashi (JP); **Citizen Holdings Co., Ltd.**, Tokyo (JP)

(**) Term: **14 Years**

(21) Appl. No.: **29/401,084**

(22) Filed: **Sep. 7, 2011**

(30) **Foreign Application Priority Data**

Mar. 9, 2011 (JP) D-2011-005381

(51) **LOC (9) Cl.** **13-03**

(52) **U.S. Cl.** **D13/180**

(58) **Field of Classification Search** D13/180;
D26/1, 2; 257/79, 80, 81, 88, 89, 95, 98,
257/99, 100, E33.058; 313/483, 498, 500;
362/555, 800

See application file for complete search history.

(56) **References Cited**

U.S. PATENT DOCUMENTS

D571,316 S * 6/2008 Lee et al. D13/180
D613,701 S * 4/2010 Hsing-Chen et al. D13/180

D643,381 S * 8/2011 Hsieh D13/180
D645,416 S * 9/2011 Kuwaharada et al. D13/180
D651,989 S * 1/2012 Lin D13/180
D656,906 S * 4/2012 Leung D13/180
2008/0007966 A1 * 1/2008 Ohkawa 362/608

* cited by examiner

Primary Examiner — Selina Sikder

(74) *Attorney, Agent, or Firm* — Browdy and Neimark, PLLC

(57) **CLAIM**

The ornamental design for a light-emitting diode, as shown and described here.

DESCRIPTION

FIG. 1 is a top perspective view of a light-emitting diode showing our new design, with an upper surface, a front side surface and a right side surface shown;

FIG. 2 is a bottom perspective view showing a bottom surface with rear and left side surfaces;

FIG. 3 is a front elevation view thereof;

FIG. 4 is a rear elevation view thereof;

FIG. 5 is a top plan view thereof;

FIG. 6 is a bottom plan view thereof, opposite the view of FIG. 5;

FIG. 7 is a right side elevation view thereof; and,

FIG. 8 is a left side elevation view thereof.

1 Claim, 8 Drawing Sheets

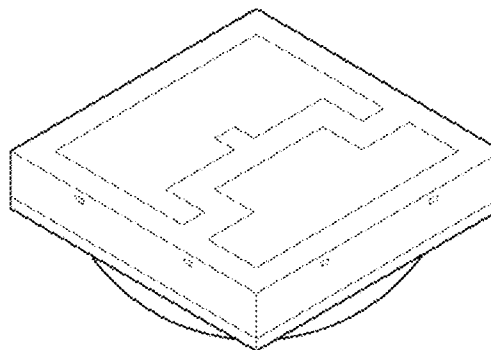
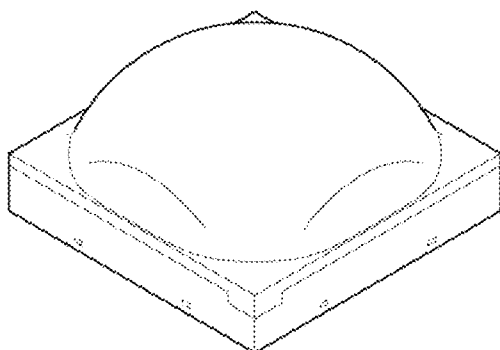


Fig. 1

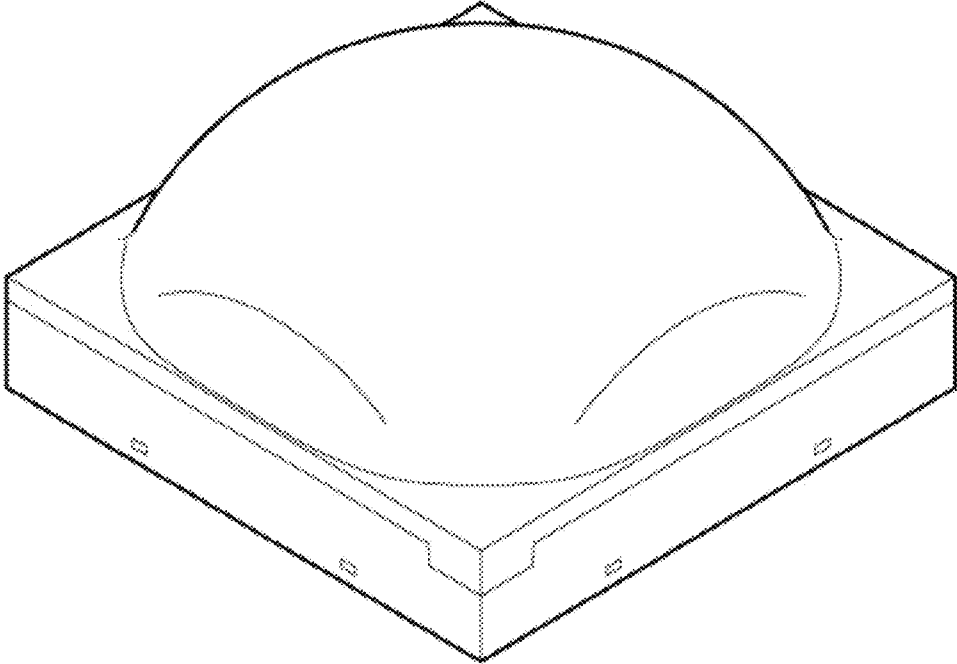


Fig. 2

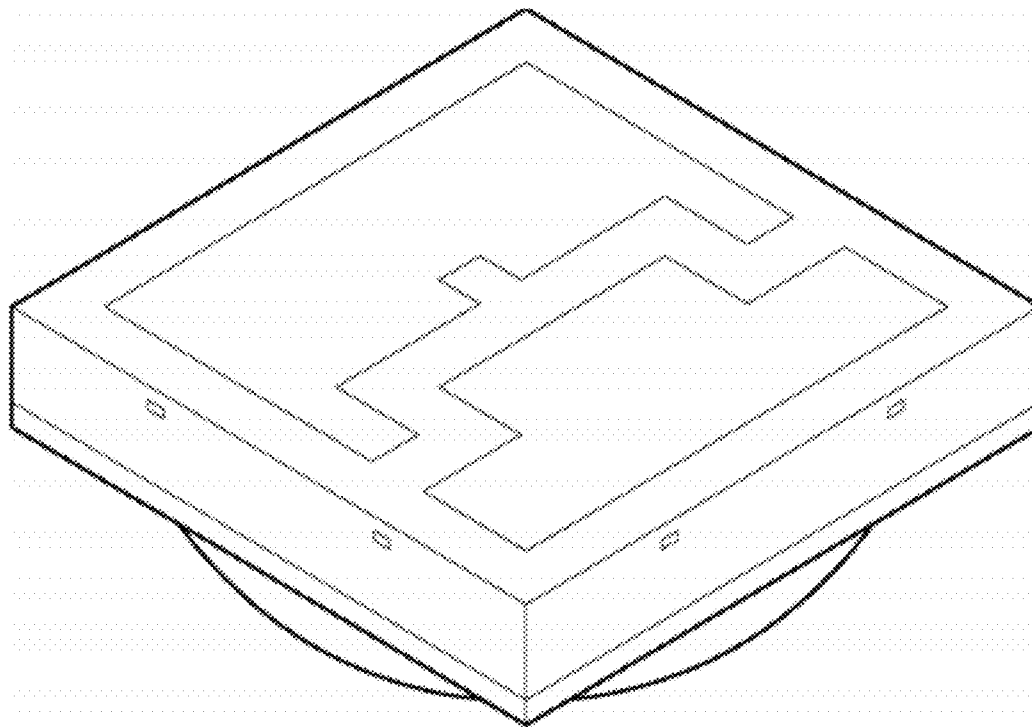


Fig. 3

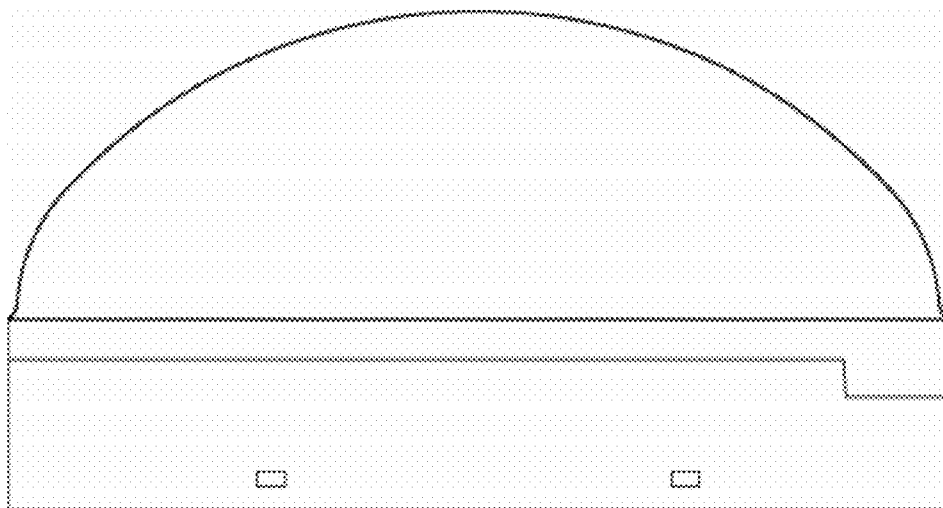


Fig. 4

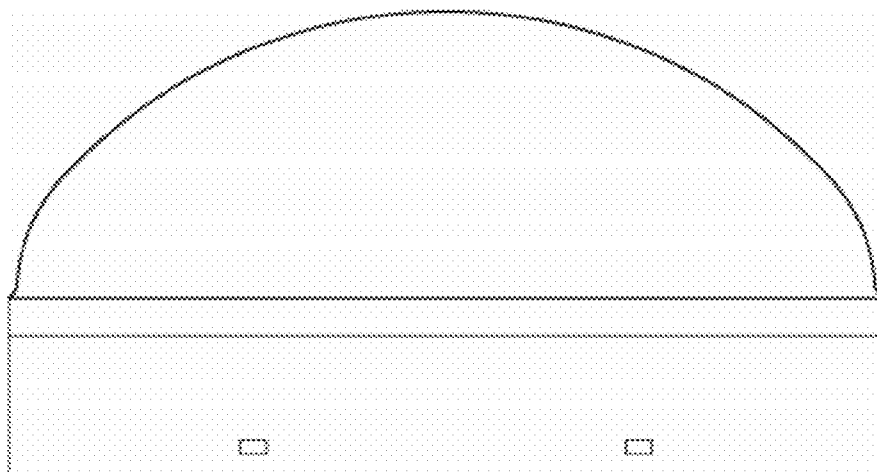


Fig. 5

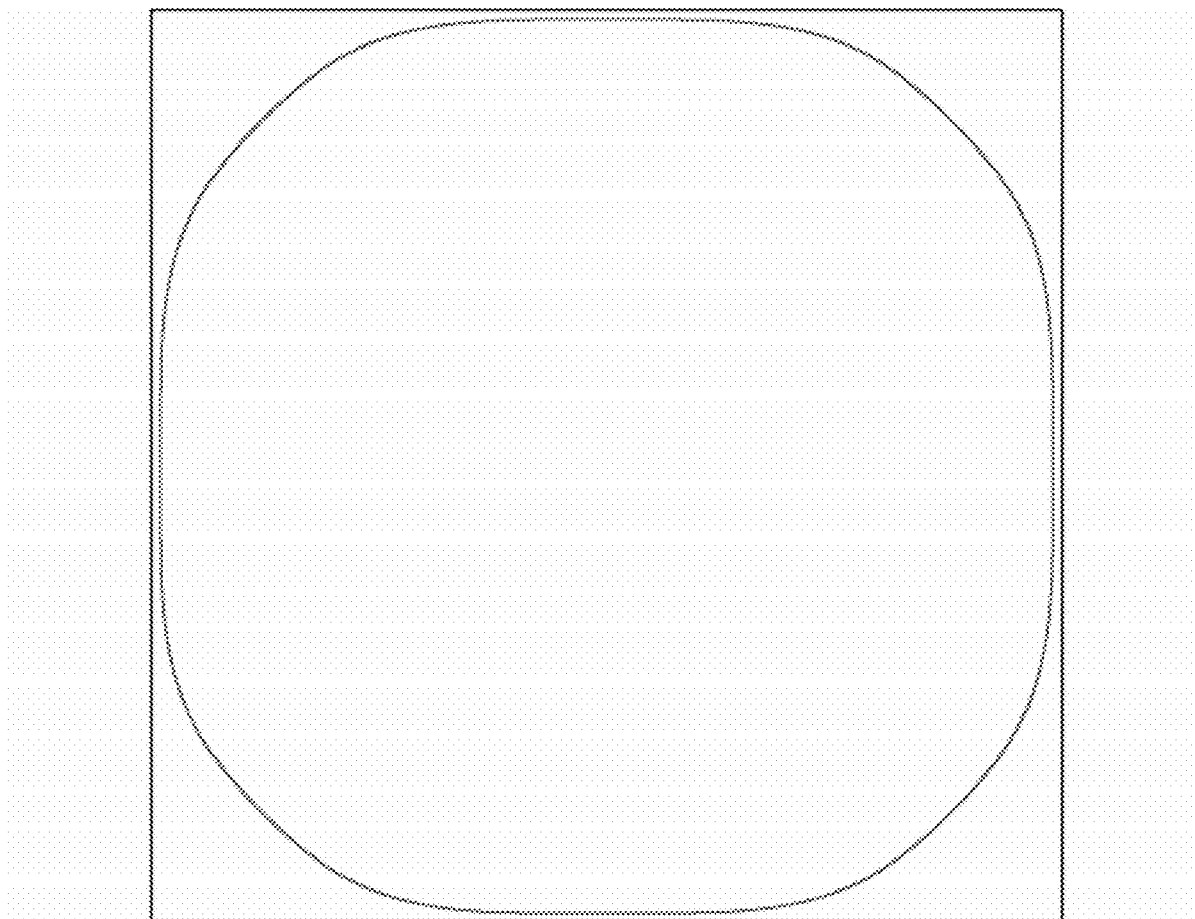


Fig. 6

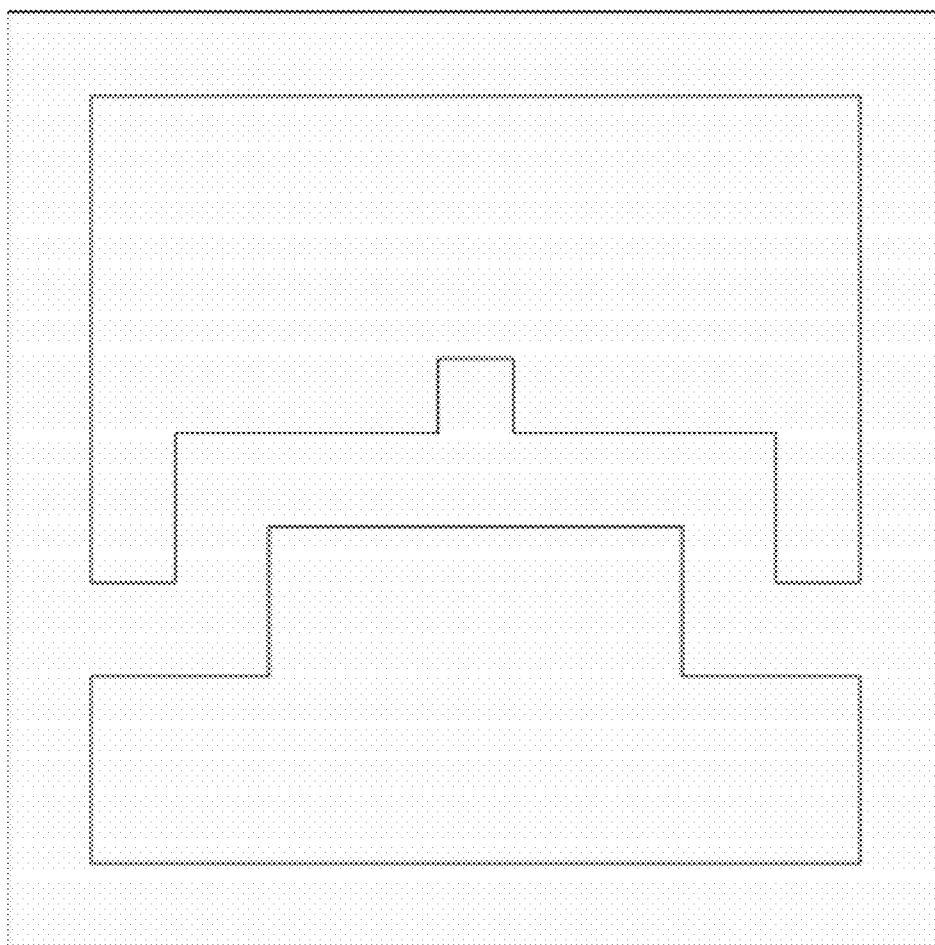


Fig. 7

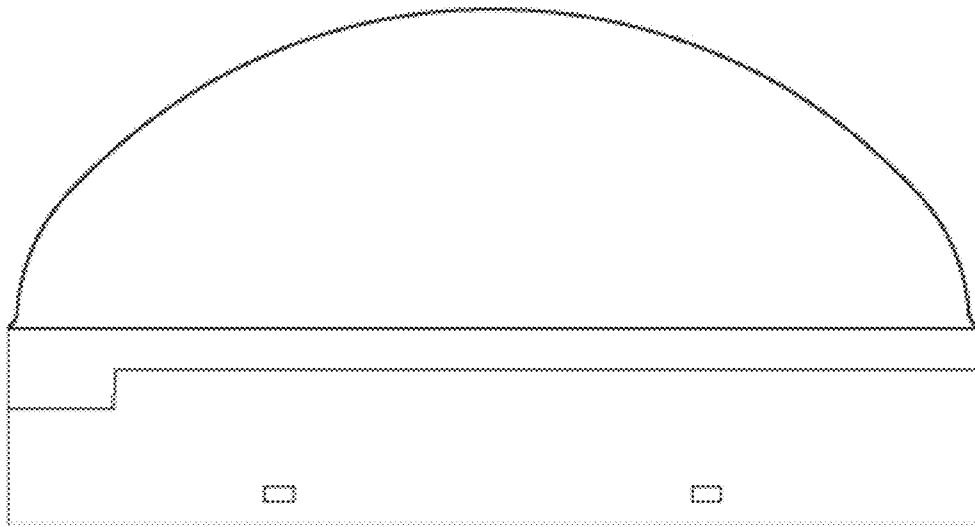


Fig. 8

