



(51) International Patent Classification:

G01S 11/06 (2006.01) G06K 19/07 (2006.01)
G01S 5/14 (2006.01) G06K 17/00 (2006.01)

(21) International Application Number:

PCT/US2013/050307

(22) International Filing Date:

12 July 2013 (12.07.2013)

(25) Filing Language:

English

(26) Publication Language:

English

(30) Priority Data:

61/670,635 12 July 2012 (12.07.2012) US

(71) Applicant (for all designated States except US): **CORNELL UNIVERSITY** [US/US]; c/o Cornell Center for Technology Enterprise & Commercialization (CCTEC), 395 Pine Tree Road, Suite 310, Ithaca, New York 14850 (US).

(72) Inventors; and

(71) Applicants (for US only): **KAN, Edwin, C.** [US/US]; c/o Cornell Center for Technology Enterprise & Commercialization (CCTEC), 395 Pine Tree Road, Suite 310, Ithaca, New York 14850 (US). **MA, Yunfei** [CN/US]; c/o Cornell Center for Technology Enterprise & Commercialization (CCTEC), 395 Pine Tree Road, Suite 310, Ithaca, New York 14850 (US).

(74) Agents: **ERLICH, Jacob, N.** et al.; Burns & Levinson, LLP, 125 Summer Street, Boston, Massachusetts 02110 (US).

(81) Designated States (unless otherwise indicated, for every kind of national protection available): AE, AG, AL, AM, AO, AT, AU, AZ, BA, BB, BG, BH, BN, BR, BW, BY, BZ, CA, CH, CL, CN, CO, CR, CU, CZ, DE, DK, DM, DO, DZ, EC, EE, EG, ES, FI, GB, GD, GE, GH, GM, GT, HN, HR, HU, ID, IL, IN, IS, JP, KE, KG, KN, KP, KR, KZ, LA, LC, LK, LR, LS, LT, LU, LY, MA, MD, ME, MG, MK, MN, MW, MX, MY, MZ, NA, NG, NI, NO, NZ, OM, PA, PE, PG, PH, PL, PT, QA, RO, RS, RU, RW, SC, SD, SE, SG, SK, SL, SM, ST, SV, SY, TH, TJ, TM, TN, TR, TT, TZ, UA, UG, US, UZ, VC, VN, ZA, ZM, ZW.

(84) Designated States (unless otherwise indicated, for every kind of regional protection available): ARIPO (BW, GH, GM, KE, LR, LS, MW, MZ, NA, RW, SD, SL, SZ, TZ, UG, ZM, ZW), Eurasian (AM, AZ, BY, KG, KZ, RU, TJ, TM), European (AL, AT, BE, BG, CH, CY, CZ, DE, DK, EE, ES, FI, FR, GB, GR, HR, HU, IE, IS, IT, LT, LU, LV, MC, MK, MT, NL, NO, PL, PT, RO, RS, SE, SI, SK, SM, TR), OAPI (BF, BJ, CF, CG, CI, CM, GA, GN, GQ, GW, KM, ML, MR, NE, SN, TD, TG).

Published:

— with international search report (Art. 21(3))

(54) Title: RFID DEVICE, METHODS AND APPLICATIONS

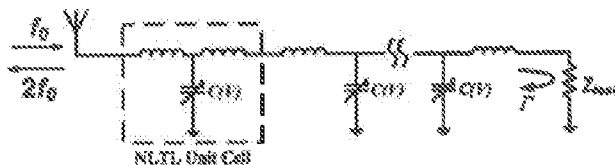


Fig. 1a

(57) Abstract: Systems and methods for ranging in indoor environment that are accurate and that are substantially undisturbed by multipath interference. The method includes illuminating a sensor tag with electromagnetic radiation generated from a transceiver; the transceiver are being located a distance away from the sensor tag; the sensor tag comprising at least one nonlinear transmission line (NLTL) for broadband harmonic generation, receiving backscattered electromagnetic radiation from the at least one NLTL at three or more locations; coordinates of the three or more locations being known, obtaining, from the phase and magnitude outputs at a second harmonic and at least one sub harmonic of second harmonic, a distance from the sensor tag to each of the three or more locations and trilaterating a location of the sensor tag.



RFID DEVICE, METHODS AND APPLICATIONS

BACKGROUND

5 The present disclosure is directed to indoor real-time locating systems (RTLS), methods, and associated applications.

Short-distance, high accuracy ranging is important for many applications such as indoor navigation, body area network (BAN) and unobstructed motion tracking. Meanwhile, recent development in radio-frequency identification (RFID) systems for efficient asset management has made RFID tags and associated devices widely available with low-cost and low-energy consumption. Among RFID ranging methods, received signal strength (RSS) can work over large areas, but suffers from poor accuracy. Time of flight (TOF) is not suitable for short range due to the difficulty in measuring small round-trip time delay. Continuous-wave (CW) phase-based methods using single-tone carriers are preferred for their high accuracy and simple architecture.

15 However, in indoor environment, passive CW phase ranging by backscattering RFID tags can be challenging. Physically, phase errors caused by multi-path interference are severe in offices and other indoor locales. Poor isolation between transmitting and receiving ends brings strong self-interference that can also smear phase detection. Neighboring readers can also cause strong interference without effective solution by synchronization. Another limitation comes from signal processing. Although CW can be accurate, cycle ambiguity exists when distance is longer than one wavelength. The cycle integer must be solved correctly in order to get high precision. The sensing bandwidth in conventional methods such as DFCW (dual-frequency continuous wave) can be limited by: (1) reading range within which integer ambiguity can be solved or (2) narrowband RFID devices with large phase errors. Although RFID tags with harmonic generation have been proposed, the proposed tags do not address cycle ambiguity.

25 There is a need for systems and methods for ranging in indoor environment that are accurate, substantially undisturbed by multipath interference and resolve cycle ambiguity.

SUMMARY

Systems and methods for ranging in indoor environment that are accurate and that are substantially undisturbed by multipath interference and resolve cycle ambiguity are disclosed herein below.

5 In one or more embodiments, the method of the present disclosure includes illuminating a sensor tag with electromagnetic radiation generated from a transceiver; the transceiver are being located a distance away from the sensor tag; the sensor tag comprising at least one nonlinear transmission line (NLTL) for matched impedance, broadband harmonic generation,; coordinates of the three or more locations of the reader receiving antenna being known, obtaining, from the
10 phase and magnitude outputs at a second harmonic, ranges from the sensor tag to each of the three or more antenna locations and trilaterating a location of the sensor tag.

In one or more embodiments, the system of the present disclosure includes a sensor tag having at least one nonlinear transmission line (NLTL) for broadband harmonic generation, a transceiver, a reader including three or more antennas, coordinates of the three or more locations
15 being known, at least one demodulator providing in-phase and quadrature outputs at the second harmonic of a principal frequency of the electromagnetic radiation emitted from the transceiver, a distance from each one of said three or more locations to the sensor tag. In one instance, the transceiver is incorporated in the reader and includes one or more of the three or more antennas.

Other embodiments are also disclosed.

20 For a better understanding of the present teachings, together with other and further objects thereof, reference is made to the accompanying drawings and detailed description and its scope will be pointed out in the appended claims.

BRIEF DESCRIPTION OF THE DRAWINGS

25 Figures 1a, 1b, 1c are a schematic representation of a nonlinear transmission line (NLTL);
Figures 2a-2d is a graphical representation of measurements of an RFID tag of these teachings;

Figure 3 is a schematic representation of one embodiment of the system of the present teachings;

30 Figure 3a is a schematic block diagram representation of a conventional cell phone;

Figure 3b is a schematic block diagram representation of generic reader component in one embodiment of the system of the present teachings;

Figure 3c is a schematic block diagram representation of generic representation of one embodiment of the system of the present teachings;

5 Figure 4 is a schematic representation of a component in one embodiment of the system of these teachings;

Figures 5a, 5b are graphical representations of the operation of a conventional RFID tag and an RFID tag of the present teachings;

10 Figure 6 is a graphical representation of the ranging operation of the RFID tag of the present teachings;

Figure 7a is a graphical representation of the operation of one embodiment of the RFID tag of these teachings; and

Figure 7b is a graphical representation of generation of second harmonic in one embodiment of the RFID tag of these teachings.

15

DETAILED DESCRIPTION

The following detailed description is of the best currently contemplated modes of carrying out these teachings. The description is not to be taken in a limiting sense, but is made merely for the purpose of illustrating the general principles of these teachings, since the scope of these teachings is best defined by the appended claims. Although the teachings have been described with respect to various embodiments, it should be realized these teachings are also capable of a wide variety of further and other embodiments within the spirit and scope of the appended claims.

25 As used herein, the singular forms "a," "an," and "the" include the plural reference unless the context clearly dictates otherwise.

Except where otherwise indicated, all numbers expressing quantities of ingredients, reaction conditions, and so forth used in the specification and claims are to be understood as being modified in all instances by the term "about."

30 "Trilateration," as used herein, is the process of finding the coordinates of one node given the distances from that node to three or more other nodes of known coordinates (see, for example, Alan Kaminsky, Trilateration available at

<http://www.cs.rit.edu/~ark/543/module05/trilateration.pdf>). Herein, Trilateration is also referred to as triangulation.

"Subharmonic," as used herein, refers to a frequency given by a center frequency increased or decreased by a frequency variation where the frequency variations are within a
5 bandwidth around the center frequency, the bandwidth being less than the separation between the center frequency and the closest harmonic.

In one or more embodiments, the method of the present disclosure includes illuminating a sensor tag with electromagnetic radiation emitted from at least one transceiver; the transceiver are being located a distance away from the sensor tag; the sensor tag comprising at least one
10 nonlinear transmission line (NLTL) for broadband harmonic generation, receiving backscattered electromagnetic radiation from the at least one NLTL at three or more locations; coordinates of the three or more locations being known, obtaining, from the phase and magnitude outputs at a second harmonic and at least one subharmonic of second harmonic, range from the sensor tag to each of the three or more locations and trilaterating a location of the sensor tag.

In other embodiments, the method of the present disclosure includes illuminating a sensor tag with electromagnetic radiation generated from a transceiver; the transceiver are being located a distance away from the sensor tag; the sensor tag comprising at least one nonlinear
15 transmission line (NLTL) for matched impedance, broadband harmonic generation; coordinates of the three or more locations of the reader receiving antenna being known, obtaining, from the phase and magnitude outputs at a second harmonic, ranges from the sensor tag to each of the
20 three or more antenna locations and trilaterating a location of the sensor tag.

In one or more embodiments, the system of the present disclosure includes a sensor tag having at least one nonlinear transmission line (NLTL) for broadband harmonic generation, at least one transceiver, a reader including three or more antennas, each one antenna from the three
25 or more antennas being located at one location from three or more locations, coordinates of the three or more locations being known, at least one demodulator providing in phase and quadrature outputs at a second harmonic of a principal frequency of the electromagnetic radiation emitted from the transceiver and at one or more subharmonics of the second harmonic and a ranging component configured to provide, from the in phase and quadrature outputs at the second
30 harmonic and at the one or more subharmonics, a distance from each one of said three or more

locations to the sensor tag. In one instance, the transceiver is incorporated in the reader and includes one or more of the three or more antennas.

In other embodiments, the system of the present disclosure includes a sensor tag having at least one nonlinear transmission line (NLTL) for broadband harmonic generation, a transceiver, a reader including three or more antennas, coordinates of the three or more locations being known, at least one demodulator providing in-phase and quadrature outputs at the second harmonic of a principal frequency of the electromagnetic radiation emitted from the transceiver, a distance from each one of said three or more locations to the sensor tag. In one instance, the transceiver is incorporated in the reader and includes one or more of the three or more antennas.

In one non-limiting embodiment, the present disclosure provides a system and method for localization using harmonic RFID tags in indoor environments with accuracy in the millimeter range by measuring Continuous Wave (CW) phase information at multi-frequencies. With the integration of Nonlinear Transmission Lines (NLTLs), second harmonic (SH) is passively generated during backscattering with high efficiency compared to other approaches (e.g. discrete diodes). Phase information is obtained from SH, solving the multi-path interference by emitted and reflected signals in conventional backscattered RFID tags, which often restricts indoor applications. NLTLs are designed with broadband or multi-band properties, offering ready matching to antenna front-end and advantages of adopting multiple frequencies for solving phase ambiguity. The system of this invention is cost effective because NLTLs can be implemented with standard CMOS technology, and CW simplifies reader design for signal generation and detection.

In another non-limiting embodiment, the NLTL RFID tag can be made by CMOS technology or printed circuit board with a specific design of antenna. The NLTL harmonic RFID tag can be attached to any object of interest and the backscattered second harmonic phases generated. The distance from the tag to at least 4 fixed antenna locations is determined using trilateration (or triangulation) methods. In one embodiment, the determined location is used as the immobile tag ID in the indoor network.

For systems with form factors larger than 5cm, printed circuit board assembly with around 100MHz – 900MHz operations is most feasible. For systems with form factors smaller than 5mm, a CMOS chip implementation will be preferred.

Salient Features of the present disclosure include:

Integration with NLTL for harmonic generation to solve multi-path interference problems.

Broadband or Multi-band properties of the RFID tag, easy for antenna matching.

Use of phase modulation in harmonic RFID operations

Adopting continuous wave to simplify reader design.

5 High positioning accuracy (to the range of millimeter).

In another aspect, the present disclosure can be treated as a short-range real-time localization tool that can be applied to the human-machine interface and collision avoidance.

Probable uses include real-time object localization, security monitoring, inventory management, and multiplexing nondirectional remote reading.

10 In the backscattered NLTL-based harmonic RFID tag described in appendix C of U.S. Provisional Application No. 61/61/670,635 (and also in F. Yu, K. G. Lyon and E. C. Kan, "A novel passive RFID transponder using harmonic generation of nonlinear transmission lines", IEEE Trans. Microwave Theory and Techniques (WTTI), vol. 58, no. 12, pp. 4121 — 4127, Dec. 2010, F. Yu, Y. Ma, K. G. Lyon and E. C. Kan, "Reflective nonlinear transmission lines for
15 single-antenna non-self-jamming RFID", *IEEE MTT 2011 International Microwave Symp.*, Baltimore, MD, June 5 — 10, 2011, all of which are incorporated by reference herein in their entirety and for all purposes), in either matched or reflective configurations as shown in Fig. 1, the sensor signal is coded on the 2nd harmonic of the transceiver signal received by the RFID tag. Hence, the self interference and multi-path backscattering are mostly eliminated, if the ambient
20 does not have objects with nonlinear conversion in the given frequency range. Figs. 1a, 1b show the circuit model of the (a) matched and (b) reflective NLTL designs. The die photo for both designs are shown in Fig. 1(c). The reflective NLTL uses only one antenna and Z_{load} can represent a sensor capacitor whose magnitude gives an additional phase shift to the reflective wave

25 The matched design has a broader bandwidth than the reflective one, but needs two antennas and the sensor integration can only be done as a DC offset to the varactor. The reflective design has a smaller footprint due to (1) the single antenna configuration and (2) the wave traveling two times on the transmission line so that the number of NLTL stages for harmonic generation is halved. The sensor can be integrated as the transmission line termination
30 Z_{load} in the reflective design, which transduces the sensor output as an additional phase shift. This is the smallest and longest range of non-self-jamming passive RFID developed to date.

Compared with the single-diode frequency multiplier, the NLTL has shown more efficient harmonic generation because the Bragg frequency f_B prevents power spreading to the spectrum above the desired harmonic. In addition, the NLTL's positive real impedances also provide ready matching and relatively broad bandwidth with no need of matching network in both matched and reflective configurations. By the sensor capacitance as Z_{load} , the transponder is capable of Amplitude Shift Keying (ASK), Phase Shift Keying (PSK) and other similar coding schemes. The die photos of both configurations in the IBM 0.13 μ m CMOS process are shown in Fig. 1(c).

The experimental RFID measurements are shown in Fig. 2. Figs. 2a-2d show experimental measurements of the non-self-jamming passive RFID. Fig. 2a shows Range characterization in matched NLTL designs with 20 dBm reader power and average antenna gain of -1.2 to +3.0dBi ; Fig. 2b shows PSK sensor capacitance modulation; Fig. 2c shows 2nd harmonic conversion in reflective NLTL; Fig. 2d shows Range characterization in reflective NLTL RFID. Referring to Fig. 2c, since the illumination from the transceiver typically has a narrow range of initial frequencies, the backscattering from the NLTL is broad band harmonic backscattering.

The reading range can be readily extended to up to 10 meters by using higher reader power and/or improved antennas with higher efficiency .For capacitive sensors as the last stage for PSK, 0.25^o/fF for RFID with $f_B = 10$ GHz and 0.61^o/fF with $f_B = 15$ GHz have been demonstrated. The steeper slope corresponds to higher sensitivity while the smaller slope to larger range of detection.

Reflective NLTL, where Z_{load} as an open load is used for the transmission line termination, can use only one antenna. The single antenna needs to have high efficiency for the fundamental and the 2nd harmonic frequency. In Figs. 2(c) and 2(d), open-circuited reflective NLTL is characterized with the dual-band G-shape antenna and the broadband D-dot antenna (see, for example, J. Andrews. Picosecond Pulse Labs. Application note-UWB Signal Sources, Antennas and Propagation 2003, which is incorporated by reference herein in its entirety and for all purposes).

Passive sensor tags are much better in consideration of the distributed tag deployment and maintenance, as no battery to be replaced or no nearby RF source is needed, which can cause interference or health concerns if the power is more than 32dBm. Other advantages are shown in

Fig. 5. However, the sensor tag will still need an "ID" so that the location can be known for better control and monitoring. For structural health, pinpointing the exact location of sensor data is of paramount values in determining the degree of the problems. One embodiment of the method of these teachings is used for tag location determination, and the determined location is, in one embodiment, used as the immobile tag ID in the indoor network. (One embodiment of tag location is shown in Fig. 6.) Distance to the reader can be readily determined in the phase modulation of the NLTL by running two interrogating frequencies, but at least three reading position is needed in order to triangulate (trilaterate) the exact position. Borrowing from the GPS (global positioning system) concepts, in one embodiment, 4 – 6 reader antenna positions are used to resolve ambiguity and treat multi-path interference at the same time. In one embodiment, only one reader is needed, but the power will be derived to the 4 – 6 antennas with known accurate relative positions. This can be achieved with additional packaging to redirect the radiation power from different positions without resorting to change of the central reader configuration, as shown in Fig. 3, which shows Passive tag triangulation from the four antennas on a backpack of the cell phone reader.

It should be noted that the conventional cell phone, shown in Fig. 3a, includes an antenna 304 configured to send receive signals over a network. The antennas in the reader in Fig. 3 can also interface with one or more processors 312 in the cell phone. The one or more processors 312 are configured to execute machine readable code which is stored on computer readable media 316 (such as a memory, as shown). The one or more processors 312 are also configured to store computer readable code in the computer readable media 316. The mobile communication device shown in Fig. 3a also has a display 334 configured to present information, such as portions of the one or more video data streams, to a user. A user interface 330 is configured to receive user input and provided to the one or more processors 312. In one instance, the user interface 330 is configured as part of the display 334, as, for example, in a touch screen display. In the exemplary embodiment shown in Fig. 3a, the mobile communication device also includes a microphone 320 and a speaker 329.

Some of the parts of the conventional cell phone that are used in the present teachings can be described in a generic manner as shown in Fig. 3b. Referring to Fig. 3b, in the embodiment shown therein, in the component 110 shown, one or more processors 55 are operatively connected to computer usable media 65 that has computer readable code for performing the

method of these teachings. An interface 85 to the receiver connected to the antennas, providing the received signal from the antennas, and a standard interface 95 are also operatively connected to the one or more processors 55. The operative connection is provided by a computer connection component 75 (such as a computer bus). In the embodiment shown in Fig. 3b, demodulation can be performed by means of computer readable code. In other embodiments, the output of the demodulator (s) can be provided through the interface 85. Embodiments in which the same functions are performed by programmable arrays or components specifically designed for the application are also within the scope of these teachings.

In order to further elucidate these teachings, detailed embodiments are presented herein below. These teachings are not limited only to the detailed embodiments.

The achievable distance resolution depends on the phase noise of the backscattered signal and the whole-system SNR. Assume the reader sends a continuous wave of $s = S \cdot \cos(2\pi f_0 t)$, the backscattered 2nd harmonic will take the form:

$$r = R \cos(4\pi f_0 t - 8\pi f_0 d / c + \phi) + n \quad (1)$$

Here, d is the distance between reader antenna and RFID antenna and c is the speed of light. The phase term ϕ denotes phase offset which is either a constant that can be compensated or encoded with the sensor Z_{load} capacitance magnitude. The last term n is an additive Gaussian noise from the wireless channel which obeys distribution of $N(0, \sigma^2)$. In one instance the demodulator component used for demodulation of the backscattered signal implements quadrature scheme with the low-pass filters (LPF) as shown in Fig. 4. For the demodulator shown in Fig. 4, the quadrature output can be expressed as

$$I = A \cos(8\pi f_0 d / c + \theta - \phi) + n_I \quad (2)$$

$$Q = A \sin(8\pi f_0 d / c + \theta - \phi) + n_Q \quad (3)$$

Averaging can be used, in one instance, to further minimize effect of noise. The distance could be evaluated after taking

$$d = \frac{c}{8\pi f_0} \left[\tan^{-1} \left(\frac{Q}{I} \right) + \varphi - \theta \right] \quad (4)$$

It is suggested that the measured phase difference could be readily within 0.57° for f_0 around 3GHz at a single measurement, this translate to distance error as small as 0.04 mm from Eq. (4). However, there is an integer ambiguity as the actual distance can be:

$$d_{actual} = d + \frac{\lambda_0}{4} n \quad (5)$$

In the present disclosure, the broadband nature of the harmonic backscattering from the NLTL is utilized to resolve the integer ambiguity. In one embodiment of the method of the present disclosure, the second harmonic and one or more subharmonics of second harmonic in the backscattering from the NLTL are used to obtain the range and resolve the integer ambiguity. A wide variety of methods for obtaining the range from the second harmonic and one or more subharmonics of second harmonic are within the scope of these teachings. For example, methods such as used in harmonic radar (see, for example, B. G. Colpitts and G. Boiteau, "Harmonic radar transceiver design: miniature tags for insect tracking," in *IEEE Trans. Antennas and propagation*, vol. 52, no. 11, pp. 2825 - 2832, Nov. 2004, and Farrukh Aslam, S. M. (2008) Wideband harmonic radar detection, Durham theses, Durham University, UK, which are Incorporated by reference herein in their entirety and for all purposes). In one embodiment, the second harmonic and one or more subharmonics of second harmonic are used. Due to the finite bandwidth in reflective NLTL for impedance matching, frequency at both f_0 and its subharmonic $f_0 + \Delta f$ are used.

$$I_1 = A_1 \cos(8\pi f_0 d / c + \theta_1 - \phi_1) + n_1^I \quad (6)$$

$$Q_1 = A_1 \sin(8\pi f_0 d / c + \theta_1 - \phi_1) + n_1^Q \quad (7)$$

$$I_2 = A_2 \cos[8\pi (f_0 + \Delta f) d / c + \theta_2 - \phi_2] + n_2^I \quad (8)$$

$$Q_2 = A_2 \sin[8\pi (f_0 + \Delta f) d / c + \theta_2 - \phi_2] + n_2^Q \quad (9)$$

From those equations above, the following is obtained,

$$\frac{8\pi f_0 d}{c} = \xi_1 + 2n\pi \quad 0 \leq \xi_1 < 2\pi \quad (10)$$

$$\frac{8\pi (f_0 + \Delta f) d}{c} = \xi_2 + 2m\pi \quad 0 \leq \xi_2 < 2\pi \quad (11)$$

$$\frac{8\pi \Delta f_0 d}{c} = \beta \quad ; \quad \beta = \xi_2 - \xi_1 + 2m\pi - 2n\pi \quad (12)$$

Here, β satisfies $0 \leq \beta < 2\pi$, and hence the range that this method can localize is:

$$0 \leq d < \frac{c}{4\Delta f} \quad (13)$$

In one embodiment of the RFID tag of these teachings, a single broadband dipole antenna served to both receive and transmit the signal, while a Schottky diode was used to generate the second harmonic (see Figs. 7a-7b). However, additional area and loss impedance matching network are invoked, which consists of a 1 mm-diameter inductive loop and a single discrete diode. In addition, the harmonic conversion efficiency decreases with the increasing interrogation power, which imposes a strong limit to the communication range of 100 m even though a 4kW reader power is used.

One embodiment of the system of these teachings, summarized from the embodiments disclosed hereinabove, is shown in Fig. 3c. Referring to Fig. 3c, in the embodiment shown therein, an RFID tag 112 is illuminated with electromagnetic radiation generated from the transceiver 130 and one or more antennas 120. The RFID tag 112 comprises at least one NLTL for broadband harmonic generation so that a second harmonic of a principal frequency of the illuminating radiation and one or more subharmonics of the second harmonic are produced by the NLTL as backscatter radiation. The backscatter radiation is received by the three or more antennas 120, where the coordinates of the location of the three or more antennas are known. The output of the three or more antennas is provided to a receiving component (such as transceiver 130) and provided, from the receiving component, to one or more demodulators 140, producing inphase and quadrature components for the second harmonic and the one or more subharmonics of the second harmonic. A ranging component 150 obtained the range (distance) from the RFID tag 112 to each of the locations of the three or more antennas 120. The location of the RFID tag is found by trilaterating from the distances (range). In one embodiment, the ranging component 150 can be a configuration is shown in Fig. 3b. In other embodiments, the ranging component (including trilateration) can be performed by programmable arrays or components specifically designed for the operation.

For the purposes of describing and defining the present teachings, it is noted that the term "substantially" is utilized herein to represent the inherent degree of uncertainty that may be attributed to any quantitative comparison, value, measurement, or other representation. The term "substantially" is also utilized herein to represent the degree by which a quantitative representation may vary from a stated reference without resulting in a change in the basic function of the subject matter at issue.

Control and data information can be electronically executed and stored on computer-readable medium. Common forms of computer-readable (also referred to as computer usable) media can include, but are not limited to including, for example, a floppy disk, a flexible disk, a hard disk, magnetic tape, or any other magnetic medium, a CDROM or any other optical medium, 5 punched cards, paper tape, or any other physical or paper medium, a RAM, a PROM, and EPROM, a FLASH-EPROM, or any other memory chip or cartridge, or any other non-transitory medium from which a computer can read. As stated in the USPTO 2005 Interim Guidelines for Examination of Patent Applications for Patent Subject Matter Eligibility, 1300 Off. Gaz. Pat. Office 142 (Nov. 22, 2005), on the other hand, from a technological standpoint, a signal encoded 10 with functional descriptive material is similar to a computer-readable memory encoded with functional descriptive material, in that they both create a functional interrelationship with a computer. In other words, a computer is able to execute the encoded functions, regardless of whether the format is a disk or a signal.

Although the invention has been described with respect to various embodiments, it 15 should be realized these teachings are also capable of a wide variety of further and other embodiments within the spirit and scope of the appended claims.

What is claimed is:

CLAIMS

- 1, A method for localization of an object in indoor environments, the method comprising:
illuminating a sensor tag with electromagnetic radiation generated from a transceiver; the
transceiver are being located a distance away from the sensor tag; the sensor tag
5 comprising at least one nonlinear transmission line (NLTL) for broadband harmonic
generation;
- receiving backscattered electromagnetic radiation from the at least one NLTL at three or
more locations; coordinates of the three or more locations being known;
- 10 obtaining, from phase and magnitude outputs at a second harmonic and at least one
subharmonic of second harmonic, a distance from the sensor tag to each of the three or
more locations; and
- 15 trilaterating a location of the sensor tag.
2. The method of claim 1 wherein the NLTL is a through structure comprising one antenna
at one end and another antenna at another end.
- 20 3. The method of claim 1 wherein the NLTL is terminated by an impedance.
4. The method of claim 3 wherein the NLTL is terminated by an open circuit.
5. The method of claim 3 wherein the NLTL is terminated by a short circuit.
- 25 6. The method of claim 1 wherein obtaining range from the sensor tag to each of the three
or more locations comprises:
- generating, for said each three or more locations, from received backscattered
electromagnetic radiation, inphase and quadrature outputs at a second harmonic of a
30 principal frequency of the electromagnetic radiation emitted from the transceiver and at a
subharmonic of the second harmonic; and

obtaining, from the inphase and quadrature outputs at the second harmonic and at the subharmonic, a distance from each one of said three or more locations to the sensor tag.

- 5 7. A system for localization of an object in indoor environments, the system comprising:
a sensor tag comprising at least one nonlinear transmission line (NLTL) for broadband harmonic generation;
a transceiver;
a reader comprising:
10 three or more antennas, each one antenna from the three or more antennas being located at one location from three or more locations; coordinates of the three or more locations being known;
at least one demodulator providing inphase and quadrature outputs at a second harmonic of a principal frequency of the electromagnetic radiation emitted from the transceiver and at one or more subharmonics of the second harmonic; and
15 a ranging component configured to provide, from the inphase and quadrature outputs at the second harmonic and at the one or more subharmonics, a distance from each one of said three or more locations to the sensor tag.
8. The system of claim 7 wherein one subharmonic is used; and wherein the ranging
20 component is configured to obtaining, from the in phase and quadrature outputs at the second harmonic and at the subharmonic, a distance from each one of said three or more locations to the sensor tag.
9. The system of claim 7 wherein the NLTL is a through structure comprising one antenna
25 at one end and another antenna at another end.
10. The system of claim 7 wherein the NLTL is terminated by an impedance.
11. The system of claim 10 wherein the NLTL is terminated by a short circuit.
- 30 12. The system of claim 10 wherein the NLTL is terminated by an open circuit.

13. The system of claim 7 wherein the transceiver is incorporated into the reader and includes one of the three or more antennas.
14. The system of claim 7 wherein the at least one demodulator comprises:
5 two downmixing components, one downmixing component multiplying an input signal by a cosine function and another downmixing component multiplying an input signal by a sine function;
two low pass filter, each lowpass filter connected to one of the two downmixing components.
- 10 15. A method for localization of an object in indoor environments, the method comprising:
illuminating a sensor tag with electromagnetic radiation generated from a transceiver; the transceiver are being located a distance away from the sensor tag; the sensor tag comprising at least one nonlinear transmission line (NLTL) for broadband harmonic generation;
15 receiving backscattered electromagnetic radiation from at least three or more locations; coordinates of the three or more locations being known;
obtaining from phase and magnitude outputs at a second harmonic frequency, a distance from the sensor tag to each of the three or more locations; and
trilaterating a location of the sensor tag.
20
16. The method of claim 15 wherein the NLTL is a through structure comprising one antenna at one end and another antenna at another end.
17. The method of claim 15 wherein the NLTL is terminated by an impedance.
18. The method of claim 17 wherein the NLTL is terminated by an open circuit.
- 25 19. The method of claim 18 wherein the NLTL is terminated by a short circuit.
20. The method of claim 15 wherein obtaining range from the sensor tag to each of the three or more locations comprises:

generating, for said each three or more locations, from received backscattered electromagnetic radiation, in phase and quadrature outputs at a second harmonic of a principal frequency of the electromagnetic radiation emitted from the transceiver; and

5 obtaining, from the in phase and quadrature outputs at the second harmonic, a distance from each one of said three or more locations to the sensor tag.

21. A system for localization of an object in indoor environments, the system comprising:

10 a sensor tag comprising at least one nonlinear transmission line (NLTL) for broadband harmonic generation;

a transceiver;

a reader comprising:

15 three or more antennas, each one antenna from the three or more antennas being located at one of three or more locations; coordinates of the three or more locations being known;

at least one demodulator providing in-phase and quadrature outputs at a second harmonic of a principal frequency of the electromagnetic radiation emitted from the transceiver;

20 a ranging component configured to provide, from the in-phase and quadrature outputs at the second harmonic, a distance from each one of said three or more locations to the sensor tag.

22. The system of claim 21 wherein the ranging component is configured to obtaining, from the in-phase and quadrature outputs at the second harmonic, a distance from each one of
25 said three or more locations to the sensor tag.

23. The system of claim 21 wherein the NLTL is a through structure comprising one antenna at one end and another antenna at another end.

24. The system of claim 21 wherein the NLTL is terminated by an impedance.

25. The system of claim 24 wherein the NLTL is terminated by a short circuit.

26. The system of claim 24 wherein the NLTL is terminated by an open circuit.
27. The system of claim 21 wherein the transceiver is incorporated into the reader and includes one of the three or more antennas.
28. The system of claim 21 wherein the at least one demodulator comprises:
- 5 two downmixing components, one downmixing component multiplying an input signal by a cosine function and another downmixing component multiplying an input signal by a sine function;
- two low pass filters, each lowpass filter connected to one of the two downmixing components.

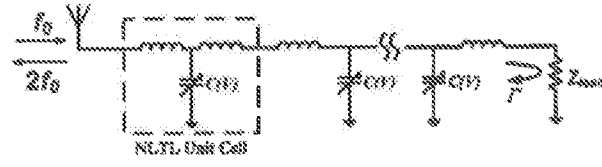


Fig. 1a

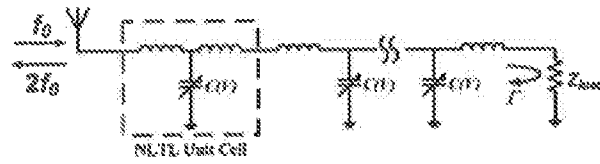


Fig. 1b

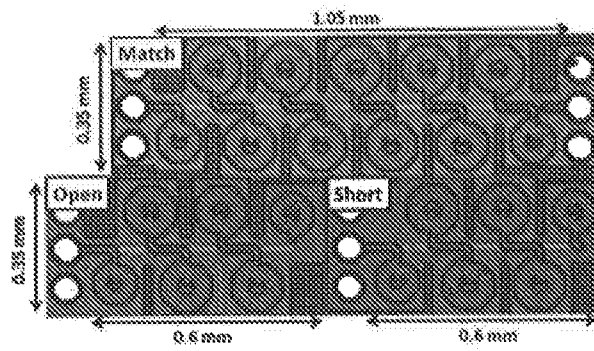


Fig. 1c

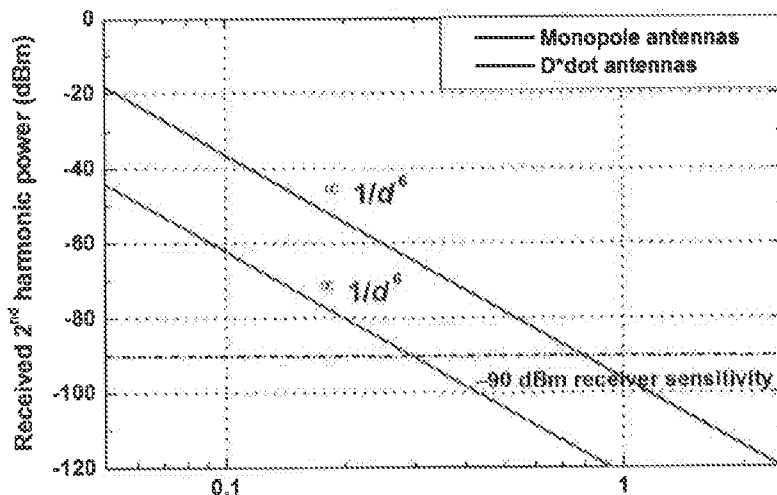


Fig. 2a

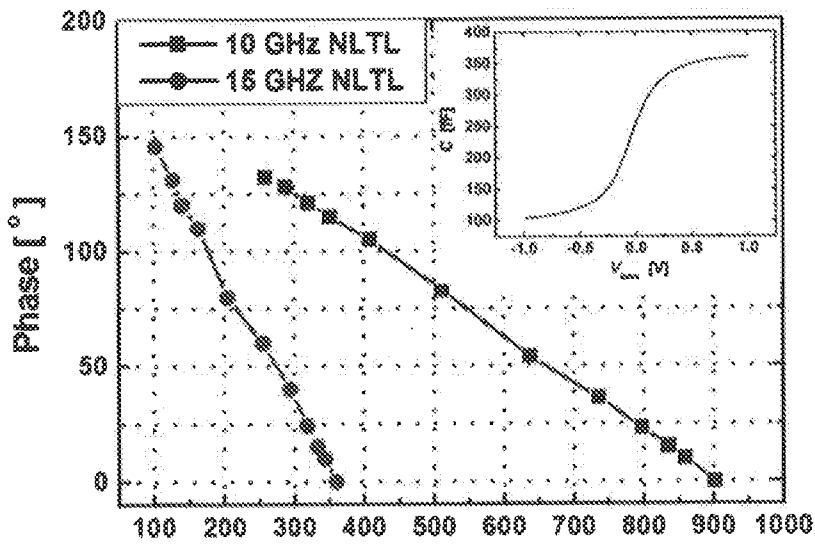


Fig. 2b

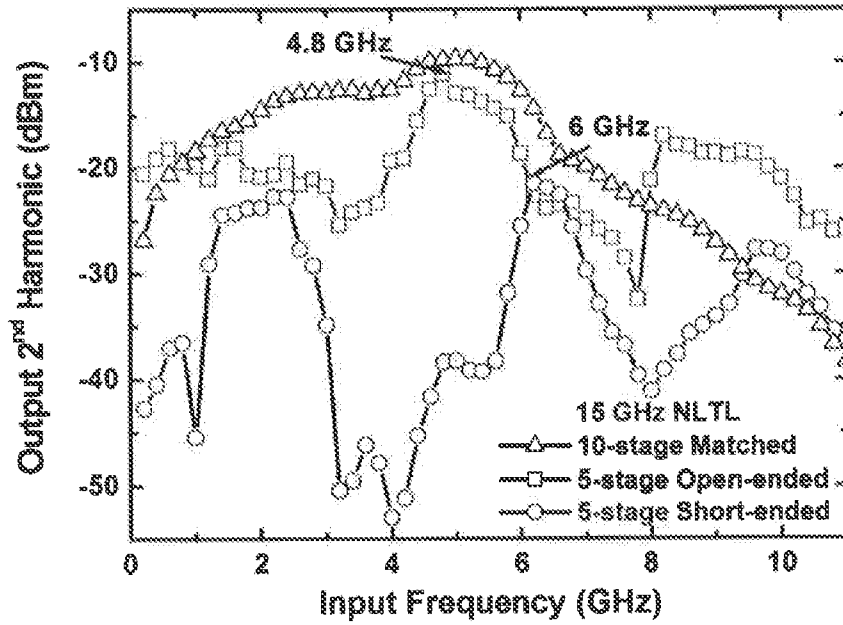


Fig. 2c

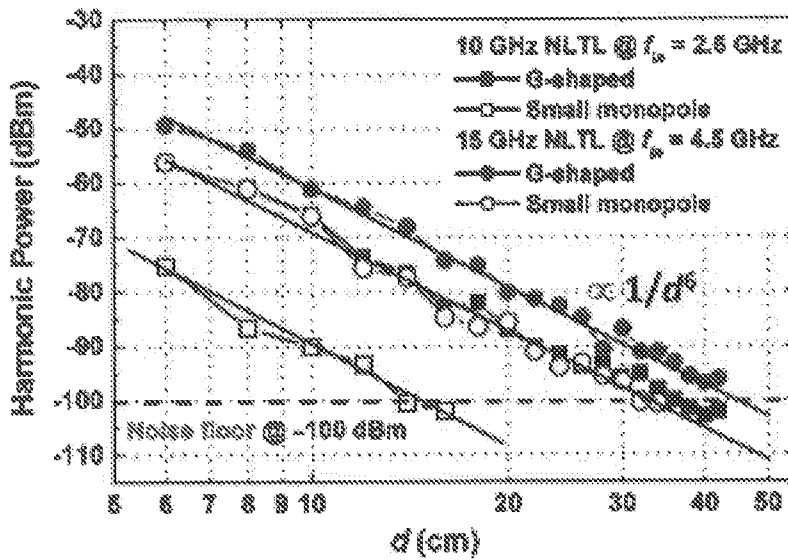


Fig. 2d

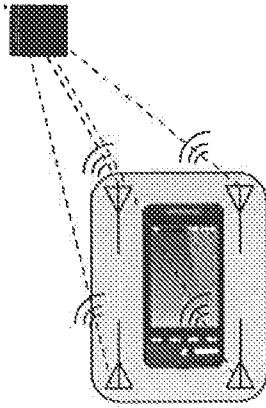


Fig. 3

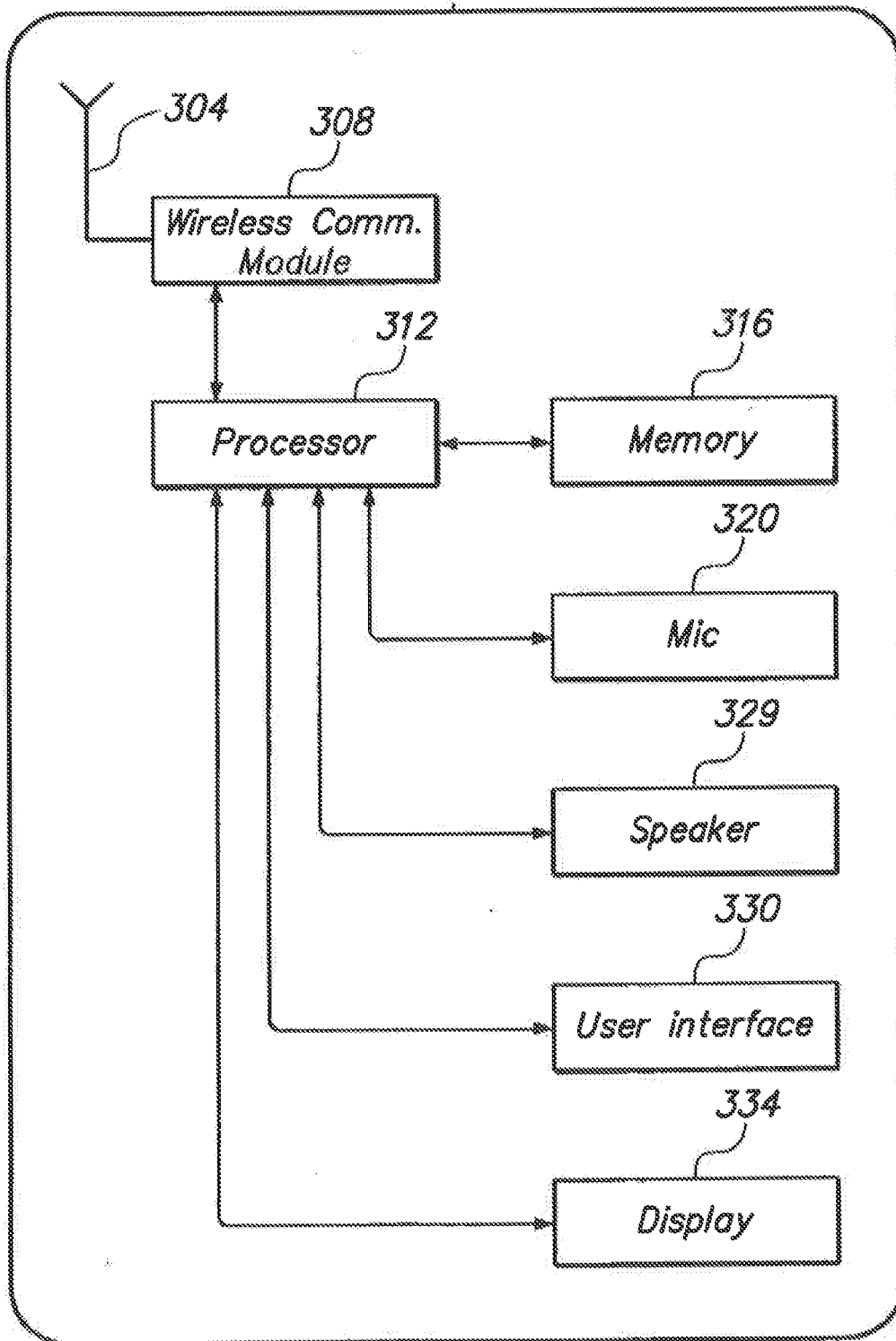


Fig. 3a

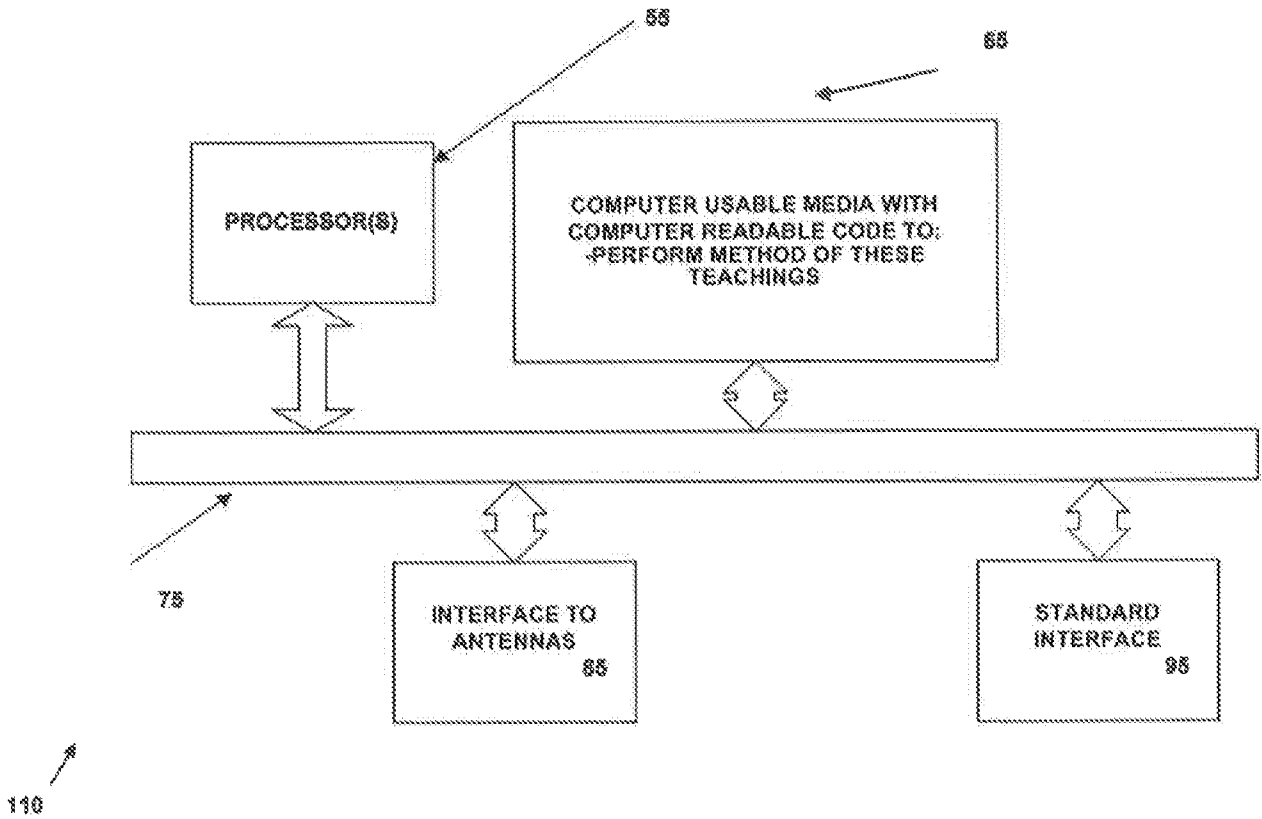


FIG. 3b

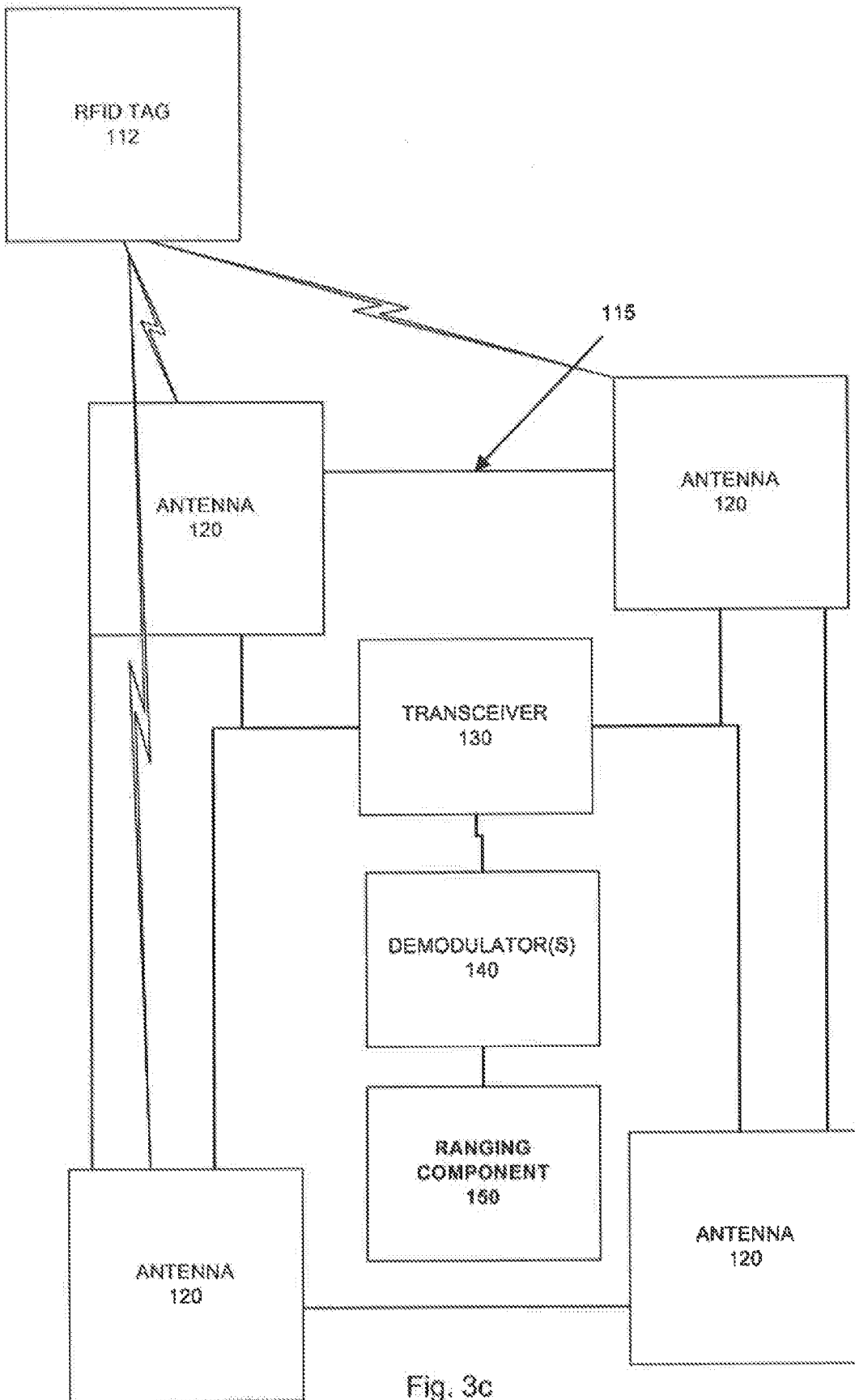


Fig. 3c

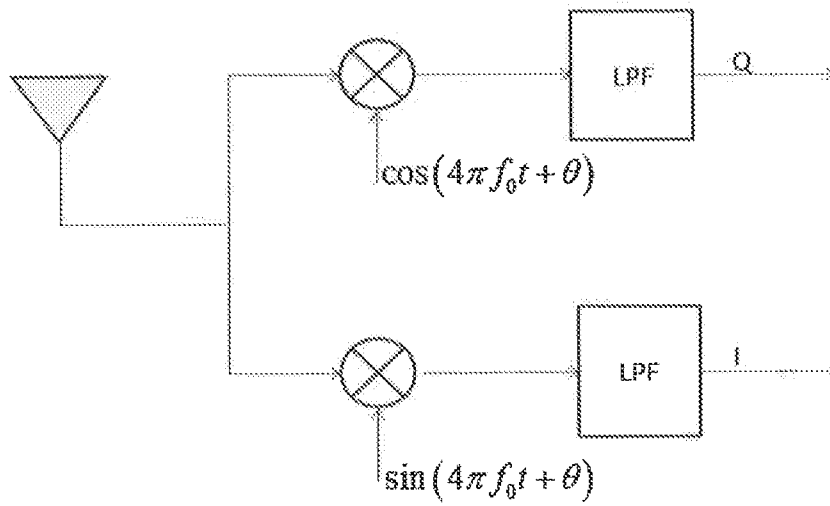


Fig. 4

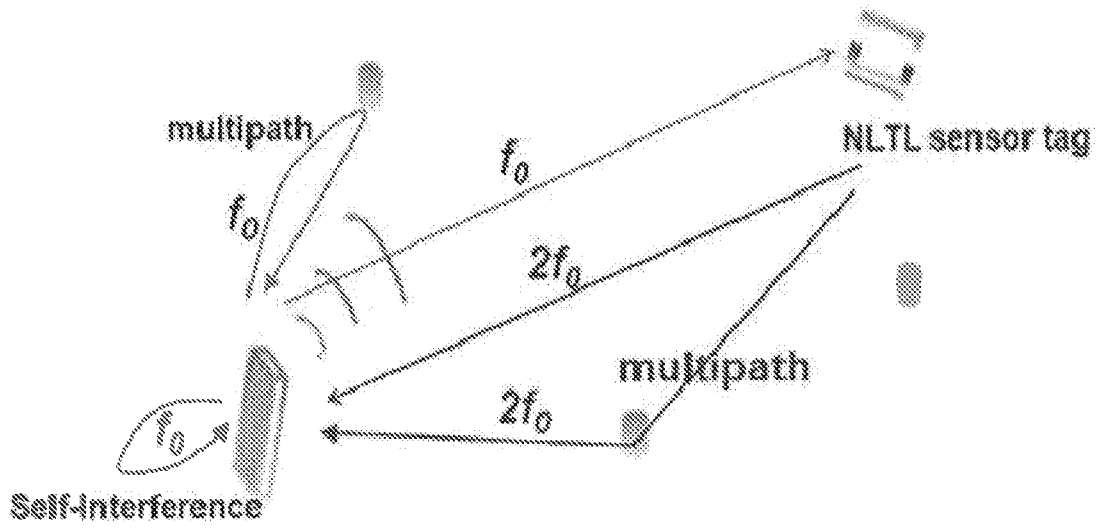


Fig. 5b

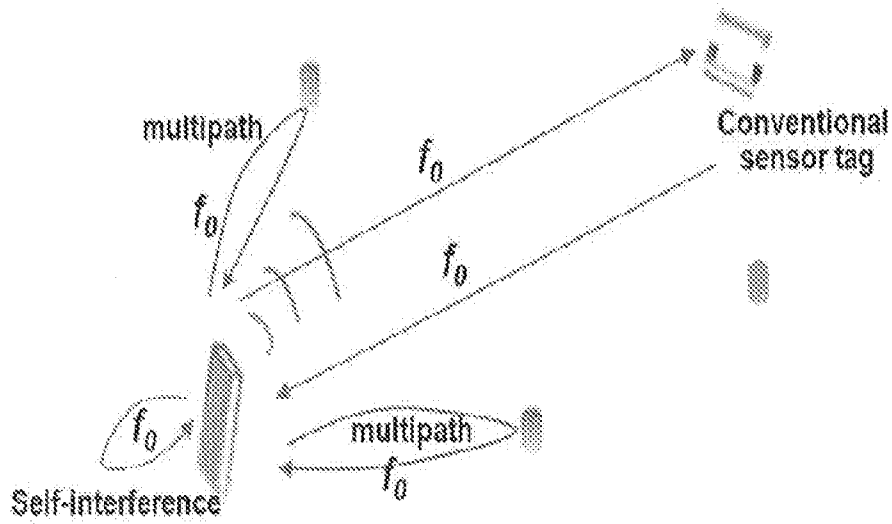


Fig. 5a

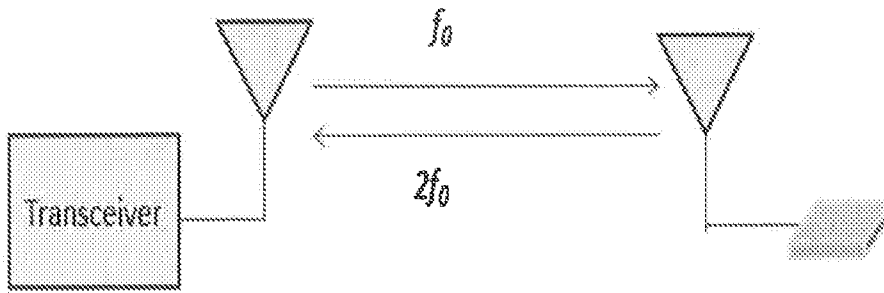


Fig. 6

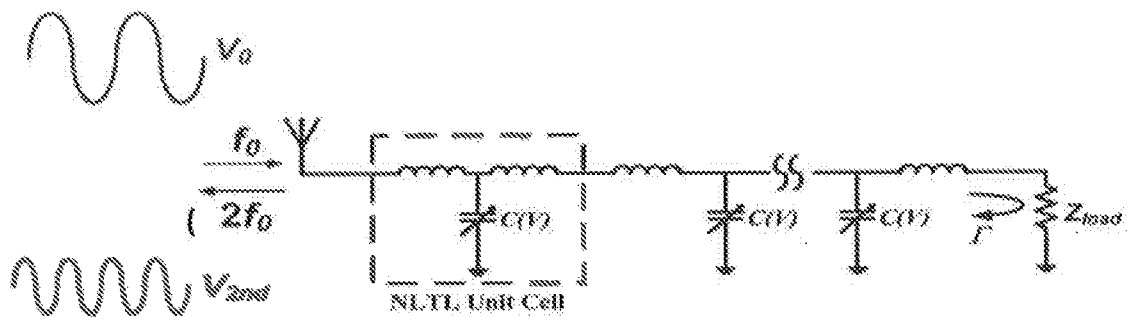


Fig. 7a

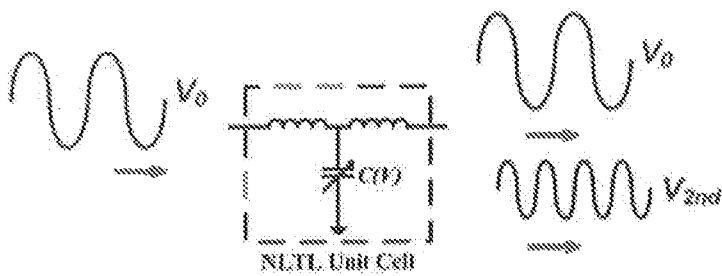


Fig. 7b

INTERNATIONAL SEARCH REPORT

International application No.
PCT/US2013/050307**A. CLASSIFICATION OF SUBJECT MATTER****G01S 11/06(2006.01)i, G01S 5/14(2006.01)i, G06K 19/07(2006.01)i, G06K 17/00(2006.01)i**

According to International Patent Classification (IPC) or to both national classification and IPC

B. FIELDS SEARCHED

Minimum documentation searched (classification system followed by classification symbols)

G01S 11/06; G08B 1/08; A01K 15/02; G08B 13/14; H04Q 5/22; G01S 5/14; G06K 19/07; G06K 17/00

Documentation searched other than minimum documentation to the extent that such documents are included in the fields searched

Korean utility models and applications for utility models

Japanese utility models and applications for utility models

Electronic data base consulted during the international search (name of data base and, where practicable, search terms used)

eKOMPASS(KIPO internal) & Keywords: tag, localization, harmonic, subharmonic, trilateration

C. DOCUMENTS CONSIDERED TO BE RELEVANT

Category*	Citation of document, with indication, where appropriate, of the relevant passages	Relevant to claim No.
Y	US 2008-0018475 A1 (BREED et al.) 24 January 2008 See abstract, paragraphs [0083]-[0101], [0126]-[0129], [0149], [0321] and figures 1-10.	1-28
Y	US 5241923 A (JANNING) 07 September 1993 See columns 8, 14-16, claim 1 and figures 1-16.	1-14
Y	US 2011-0279238 A1 (BROMMER et al.) 17 November 2011 See paragraphs [0084]-[0118], [0132]-[0155], claim 27 and figures 3-13.	15-28
A	US 2007-0126583 A1 (MANIWA et al.) 07 June 2007 See abstract, paragraphs [0042]-[0049], [0076]-[0080] and figures 2, 8.	1-28
A	US 2003-0034887 A1 (CRABTREE et al.) 20 February 2003 See paragraphs [0176]-[0185], claims 1, 4 and figures 12, 15.	1-28

 Further documents are listed in the continuation of Box C. See patent family annex.

* Special categories of cited documents:

"A" document defining the general state of the art which is not considered to be of particular relevance

"E" earlier application or patent but published on or after the international filing date

"L" document which may throw doubts on priority claim(s) or which is cited to establish the publication date of citation or other special reason (as specified)

"O" document referring to an oral disclosure, use, exhibition or other means

"P" document published prior to the international filing date but later than the priority date claimed

"T" later document published after the international filing date or priority date and not in conflict with the application but cited to understand the principle or theory underlying the invention

"X" document of particular relevance; the claimed invention cannot be considered novel or cannot be considered to involve an inventive step when the document is taken alone

"Y" document of particular relevance; the claimed invention cannot be considered to involve an inventive step when the document is combined with one or more other such documents, such combination being obvious to a person skilled in the art

"&" document member of the same patent family


Date of the actual completion of the international search

27 September 2013 (27.09.2013)

Date of mailing of the international search report

27 September 2013 (27.09.2013)

Name and mailing address of the ISA/KR


 Korean Intellectual Property Office
 189 Cheongsu-ro, Seo-gu, Daejeon Metropolitan City,
 302-701, Republic of Korea

Facsimile No. +82-42-472-7140

Authorized officer

KANG Sung Chul

Telephone No. +82-42-481-8405



INTERNATIONAL SEARCH REPORT

Information on patent family members

International application No.

PCT/US2013/050307

Patent document cited in search report	Publication date	Patent family member(s)	Publication date
US 2008-0018475 A1	24/01/2008	AU 1999-15262 A1	07/06/1999
		AU 2000-18202 A1	05/06/2000
		AU 2000-35225 A1	28/09/2000
		AU 2000-52997 A1	18/12/2000
		AU 2001-19588 A1	25/06/2001
		AU 2001-59640 A1	20/11/2001
		AU 2002-321216 A8	29/01/2003
		AU 2002-353311 A1	09/07/2003
		AU 2003-252043 A1	09/02/2004
		AU 2003-252091 A1	16/02/2004
		AU 2004-288197 A1	19/05/2005
		AU 2004-288197 B2	11/02/2010
		CA 2392446 A1	07/12/2000
		CA 2392446 C	14/07/2009
		CA 2449243 A1	23/01/2003
		CA 2452157 A1	18/01/2004
		CA 2464365 A1	16/03/2005
		CA 2482232 A1	24/03/2005
		CA 2521362 A1	28/10/2004
		CA 2543762 A1	19/05/2005
		CA 2543762 C	27/01/2009
		CA 2550669 A1	14/07/2005
		CA 2578154 A1	09/07/2007
		CA 2585546 A1	18/05/2006
		CA 2586491 A1	11/05/2006
		CN 100428224 C	22/10/2008
		CN 100472600 C	25/03/2009
		CN 100507205 C	01/07/2009
		CN 101076913 A	21/11/2007
		CN 101094841 A	26/12/2007
		CN 101151279 A	26/03/2008
		CN 102460350 A	16/05/2012
		CN 1606753 C	13/04/2005
		CN 1607491 A	20/04/2005
		CN 1623332 A	01/06/2005
		CN 1623332 C	11/04/2007
		CN 1624641 A	08/06/2005
		CN 1624641 C	17/09/2008
		CN 1655107 A	17/08/2005
		CN 1703693 A	30/11/2005
		CN 1703693 C	22/10/2008
		CN 1902374 A	24/01/2007
		CN 1954355 A	25/04/2007
		EP 0952933 A1	18/06/2003
		EP 0952933 B1	12/01/2005
		EP 1192716 A1	03/04/2002
		EP 1192716 B1	23/09/2009
		EP 1409546 A2	21/04/2004
		EP 1459560 A1	22/09/2004

INTERNATIONAL SEARCH REPORT

Information on patent family members

International application No.

PCT/US2013/050307

Patent document cited in search report	Publication date	Patent family member(s)	Publication date
		EP 1519192 A2	30/03/2005
		EP 1519192 A3	08/06/2005
		EP 1540513 A1	15/06/2005
		EP 1629345 A2	01/03/2006
		EP 1697613 A2	06/09/2006
		EP 1697613 A4	10/10/2007
		EP 1700291 A2	13/09/2006
		EP 1766707 A2	28/03/2007
		EP 1809672 A1	25/07/2007
		EP 1809672 B1	09/09/2009
		EP 1809672 B8	11/08/2010
		EP 1812410 A2	01/08/2007
		EP 1894160 A2	05/03/2008
		EP 1940088 A1	02/07/2008
		EP 2264563 A1	22/12/2010
		EP 2430511 A1	21/03/2012
		GB 2289332 A	15/11/1995
		GB 2289542 A	22/11/1995
		GB 2289653 A	29/11/1995
		GB 2289786 A	29/11/1995
		GB 2301906 A	18/12/1996
		GB 2301922 A	18/12/1996
		GB 2308102 A	18/06/1997
		GB 2323340 A	23/09/1998
		GB 2324864 A	04/11/1998
		GB 2340978 A	01/03/2000
		GB 2360097 A	12/09/2001
		GB 2363638 A	02/01/2002
		GB 2363769 A	09/01/2002
		GB 2369737 A	05/06/2002
		GB 2373117 A	11/09/2002
		GB 2383415 A	25/06/2003
		GB 2405279 A	23/02/2005
		GB 2405931 A	16/03/2005
		GB 2406170 A	23/03/2005
		GB 2406171 A	23/03/2005
		GB 2406646 A	06/04/2005
		JP 08-175305 A	09/07/1996
		JP 08-198044 A	06/08/1996
		JP 09-175316 A	08/07/1997
		JP 09-189710 A	22/07/1997
		JP 09-240407 A	16/09/1997
		JP 09-501120 A	04/02/1997
		JP 2001-508732 A	03/07/2001
		JP 2002-501459 A	15/01/2002
		JP 2003-501711 A	14/01/2003
		JP 2003-532959 A	05/11/2003
		JP 2004-518104 A	17/06/2004
		JP 2004-522932 A	29/07/2004
		JP 2005-092856 A	07/04/2005

INTERNATIONAL SEARCH REPORT

Information on patent family members

International application No.

PCT/US2013/050307

Patent document cited in search report	Publication date	Patent family member(s)	Publication date
		JP 2005-097307 A	14/04/2005
		JP 2005-306376 A	04/11/2005
		JP 2005-508877 A	07/04/2005
		JP 2005-513928 A	12/05/2005
		JP 2005-520268 A	07/07/2005
		JP 2007-518238 A	05/07/2007
		JP 2007-538299 A	27/12/2007
		JP 2008-160584 A	10/07/2008
		JP 2008-518897 A	05/06/2008
		JP 2008-519793 A	12/06/2008
		JP 2749729 B2	13/05/1998
		JP 3960394 B2	15/08/2007
		JP 3993253 B2	17/10/2007
		JP 4307252 B2	05/08/2009
		JP 4519381 B2	04/08/2010
		JP 4527731 B2	18/08/2010
		JP 5029002 B2	19/09/2012
		KR 10-0604039 B1	24/07/2006
		KR 10-0723738 B1	30/05/2007
		KR 10-0772237 B1	01/11/2007
		KR 10-1003879 B1	30/12/2010
		KR 10-2004-0068972 A	02/08/2004
		TW I270809 B	11/01/2007
		US 5155307 A	13/10/1992
		US 5192838 A	09/03/1993
		US 5231253 A	27/07/1993
		US 5233141 A	03/08/1993
		US 5270883 A	14/12/1993
		US 5326133 A	05/07/1994
		US 5389751 A	14/02/1995
		US 5441301 A	15/08/1995
		US 5505485 A	09/04/1996
		US 5629681 A	13/05/1997
		US 5653462 A	05/08/1997
		US 5653464 A	05/08/1997
		US 5684701 A	04/11/1997
		US 5694320 A	02/12/1997
		US 5746446 A	05/05/1998
		US 5748473 A	05/05/1998
		US 5772238 A	30/06/1998
		US 5809437 A	15/09/1998
		US 5822707 A	13/10/1998
		US 5829782 A	03/11/1998
		US 5835613 A	10/11/1998
		US 5845000 A	01/12/1998
		US 5848802 A	15/12/1998
		US 5863068 A	26/01/1999
		US 5901978 A	11/05/1999
		US 5943295 A	24/08/1999
		US 6009970 A	04/01/2000

INTERNATIONAL SEARCH REPORT

Information on patent family members

International application No.

PCT/US2013/050307

Patent document cited in search report	Publication date	Patent family member(s)	Publication date
		US 6039139 A	21/03/2000
		US 6078854 A	20/06/2000
		US 6081757 A	27/06/2000
		US 6088640 A	11/07/2000
		US 6116639 A	12/09/2000
		US 6134492 A	17/10/2000
		US 6141432 A	31/10/2000
		US 6149194 A	21/11/2000
		US 6168198 B1	02/01/2001
		US 6175787 B1	16/01/2001
		US 6179326 B1	30/01/2001
		US 6186537 B1	13/02/2001
		US 6206129 B1	27/03/2001
		US 6209909 B1	03/04/2001
		US 6234519 B1	22/05/2001
		US 6234520 B1	22/05/2001
		US 6242701 B1	05/06/2001
		US 6250668 B1	26/06/2001
		US 6253134 B1	26/06/2001
		US 6254127 B1	03/07/2001
		US 6270116 B1	07/08/2001
		US 6279946 B1	28/08/2001
		US 6283503 B1	04/09/2001
		US 6324453 B1	27/11/2001
		US 6325414 B2	04/12/2001
		US 6326704 B1	04/12/2001
		US 6328126 B2	11/12/2001
		US 6330501 B1	11/12/2001
		US 6343810 B1	05/02/2002
		US 6370475 B1	09/04/2002
		US 6393133 B1	21/05/2002
		US 6397136 B1	28/05/2002
		US 6405132 B1	11/06/2002
		US 6412813 B1	02/07/2002
		US 6413153 B1	02/07/2002
		US 6422595 B1	23/07/2002
		US 6442465 B2	27/08/2002
		US 6442504 B1	27/08/2002
		US 6445988 B1	03/09/2002
		US 6452870 B1	17/09/2002
		US 6459973 B1	01/10/2002
		US 6474683 B1	05/11/2002
		US 6484080 B2	19/11/2002
		US 6507779 B2	14/01/2003
		US 6513830 B2	04/02/2003
		US 6513833 B2	04/02/2003
		US 6517107 B2	11/02/2003
		US 6526352 B1	25/02/2003
		US 6529809 B1	04/03/2003
		US 6532408 B1	11/03/2003

INTERNATIONAL SEARCH REPORT

Information on patent family members

International application No.

PCT/US2013/050307

Patent document cited in search report	Publication date	Patent family member(s)	Publication date
		US 6533316 B2	18/03/2003
		US 6553296 B2	22/04/2003
		US 6555766 B2	29/04/2003
		US 6557889 B2	06/05/2003
		US 6609053 B1	19/08/2003
		US 6615656 B1	09/09/2003
		US 6623033 B2	23/09/2003
		US 6641463 B1	04/11/2003
		US 6648367 B2	18/11/2003
		US 6653577 B2	25/11/2003
		US 6662642 B2	16/12/2003
		US 6685218 B1	03/02/2004
		US 6689962 B2	10/02/2004
		US 6712387 B1	30/03/2004
		US 6715790 B2	06/04/2004
		US 6720920 B2	13/04/2004
		US 6731569 B2	04/05/2004
		US 6733036 B2	11/05/2004
		US 6736231 B2	18/05/2004
		US 6738697 B2	18/05/2004
		US 6746078 B2	08/06/2004
		US 6748797 B2	15/06/2004
		US 6749218 B2	15/06/2004
		US 6755273 B2	29/06/2004
		US 6757602 B2	29/06/2004
		US 6768944 B2	27/07/2004
		US 6772057 B2	03/08/2004
		US 6778672 B2	17/08/2004
		US 6782316 B2	24/08/2004
		US 6784379 B2	31/08/2004
		US 6792342 B2	14/09/2004
		US 6793242 B2	21/09/2004
		US 6801190 B1	05/10/2004
		US 6805404 B1	19/10/2004
		US 6820897 B2	23/11/2004
US 5241923 A	07/09/1993	WO 94-02004 A3	14/04/1994
US 2011-0279238 A1	17/11/2011	US 2010-188211 A1	29/07/2010
		US 2013-021141 A1	24/01/2013
		US 8044797 B2	25/10/2011
		US 8319636 B2	27/11/2012
		WO 2010-088256 A1	05/08/2010
US 2007-0126583 A1	07/06/2007	CN 1980084 A	13/06/2007
		EP 1795915 A2	13/06/2007
		JP 2007-155554 A	21/06/2007
		KR 10-0747970 B1	08/08/2007
		KR 10-2007-0059824 A	12/06/2007

INTERNATIONAL SEARCH REPORT

Information on patent family members

International application No.

PCT/US2013/050307

Patent document cited in search report	Publication date	Patent family member(s)	Publication date
US 2003-0034887 A1	20/02/2003	AU 2002-255750 B2 CA 2438172 A1 CA 2438172 C EP 1377946 A1 US 2005-0007251 A1 US 6788199 B2 US 7148801 B2 WO 02-073562 A1 WO 02-073562 A9	15/09/2005 19/09/2002 16/01/2007 07/01/2004 13/01/2005 07/09/2004 12/12/2006 19/09/2002 21/11/2002