

(19) World Intellectual Property Organization
International Bureau



(43) International Publication Date
26 July 2007 (26.07.2007)

PCT

(10) International Publication Number
WO 2007/083280 A3

(51) International Patent Classification:

G07C 9/00 (2006.01) G08G 1/123 (2006.01)
G08B 25/08 (2006.01) B60R 25/10 (2006.01)

(21) International Application Number:

PCT/IB2007/050173

(22) International Filing Date: 18 January 2007 (18.01.2007)

(25) Filing Language: English

(26) Publication Language: English

(30) Priority Data:

06100609.4 19 January 2006 (19.01.2006) EP

(71) Applicant (for all designated States except US): **NXP B.V.**
[NL/NL]; High Tech Campus 60, NL-5656 AG Eindhoven
(NL).

(72) Inventor; and

(75) Inventor/Applicant (for US only): **MOHAPATRA,
Prakash** [IN/IN]; c/o NXP Semiconductors Austria
GmbH, Gutheil-Schoder-Gasse 8-12, A-1102 Vienna
(AT).

(74) Agents: **RÖGGLA, Harald** et al.; NXP Semiconductors
Austria GmbH, Gutheil-Schoder-Gasse 8-12, A-1102 Vi-
enna (AT).

(81) Designated States (unless otherwise indicated, for every kind of national protection available): AE, AG, AL, AM, AT, AU, AZ, BA, BB, BG, BR, BW, BY, BZ, CA, CH, CN, CO, CR, CU, CZ, DE, DK, DM, DZ, EC, EE, EG, ES, FI, GB, GD, GE, GH, GM, GT, HN, HR, HU, ID, IL, IN, IS, JP, KE, KG, KM, KN, KP, KR, KZ, LA, LC, LK, LR, LS, LT, LU, LV, LY, MA, MD, MG, MK, MN, MW, MX, MY, MZ, NA, NG, NI, NO, NZ, OM, PG, PH, PL, PT, RO, RS, RU, SC, SD, SE, SG, SK, SL, SM, SV, SY, TJ, TM, TN, TR, TT, TZ, UA, UG, US, UZ, VC, VN, ZA, ZM, ZW.

(84) Designated States (unless otherwise indicated, for every kind of regional protection available): ARIPO (BW, GH, GM, KE, LS, MW, MZ, NA, SD, SL, SZ, TZ, UG, ZM, ZW), Eurasian (AM, AZ, BY, KG, KZ, MD, RU, TJ, TM), European (AT, BE, BG, CH, CY, CZ, DE, DK, EE, ES, FI, FR, GB, GR, HU, IE, IS, IT, LT, LU, LV, MC, NL, PL, PT, RO, SE, SI, SK, TR), OAPI (BF, BJ, CF, CG, CI, CM, GA, GN, GQ, GW, ML, MR, NE, SN, TD, TG).

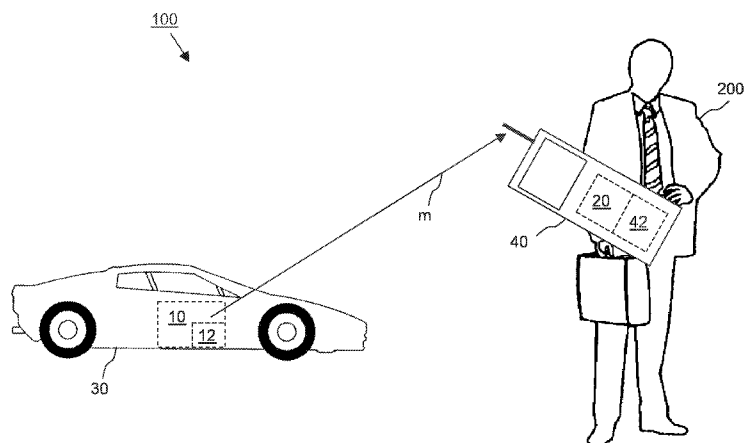
Published:

— with international search report

(88) Date of publication of the international search report:
18 October 2007

For two-letter codes and other abbreviations, refer to the "Guidance Notes on Codes and Abbreviations" appearing at the beginning of each regular issue of the PCT Gazette.

(54) Title: MONITORING SYSTEM FOR MONITORING AN OBJECT TO BE SECURED AGAINST UNAUTHORIZED ACCESS AS WELL AS CORRESPONDING METHOD



(57) Abstract: In order to further develop a monitoring system (100; 100') for monitoring at least one object (30) to be secured against unauthorized access as well as a corresponding method, the monitoring system (100; 100') comprising - at least one transponder unit (40), in particular to at least one mobile phone, which transponder unit (40) can be carried with him or her by an authorized user (200), and at least one monitoring unit (10), in particular at least one monitoring chip, being designed for triggering the transmission of at least one message (m), in particular of at least one phone call or of at least one short message or of at least one multimedia message, to the transponder unit (40), in such way that the authorized user (200) is informed in case of unauthorized request of access to the object (30), in particular in case someone is trying to steal the object (30), it is proposed that the monitoring system (100; 100') comprises at least one remote control unit (20; 20') being designed for activating and deactivating the monitoring unit (10) by the authorized user (200), and that the transmission of the message (m) is triggered in the activated state of the monitoring unit (10) in case of request of access to the object (30).

WO 2007/083280 A3

INTERNATIONAL SEARCH REPORT

International application No PCT/IB2007/050173
--

A. CLASSIFICATION OF SUBJECT MATTER
 INV. G07C9/00 G08B25/08 G08G1/123
 ADD. B60R25/10

According to International Patent Classification (IPC) or to both national classification and IPC

B. FIELDS SEARCHED

Minimum documentation searched (classification system followed by classification symbols)
B60R G07C G08B G08G

Documentation searched other than minimum documentation to the extent that such documents are included in the fields searched

Electronic data base consulted during the international search (name of data base and, where practical, search terms used)

EPO-Internal

C. DOCUMENTS CONSIDERED TO BE RELEVANT

Category*	Citation of document, with indication, where appropriate, of the relevant passages	Relevant to claim No.
X	US 5 276 728 A (PAGLIAROLI KENNETH [US] ET AL) 4 January 1994 (1994-01-04) the whole document	1-13
X	BE 1 012 642 A3 (META SYSTEM SPA [IT]) 6 February 2001 (2001-02-06) the whole document	1,2,7,11

Further documents are listed in the continuation of Box C.

See patent family annex.

* Special categories of cited documents :

"A" document defining the general state of the art which is not considered to be of particular relevance

"E" earlier document but published on or after the international filing date

"L" document which may throw doubts on priority claim(s) or which is cited to establish the publication date of another citation or other special reason (as specified)

"O" document referring to an oral disclosure, use, exhibition or other means

"P" document published prior to the international filing date but later than the priority date claimed

"T" later document published after the international filing date or priority date and not in conflict with the application but cited to understand the principle or theory underlying the invention

"X" document of particular relevance; the claimed invention cannot be considered novel or cannot be considered to involve an inventive step when the document is taken alone

"Y" document of particular relevance; the claimed invention cannot be considered to involve an inventive step when the document is combined with one or more other such documents, such combination being obvious to a person skilled in the art.

"&" document member of the same patent family

Date of the actual completion of the international search

14 June 2007

Date of mailing of the international search report

04/07/2007

Name and mailing address of the ISA/

European Patent Office, P.B. 5818 Patentlaan 2
 NL - 2280 HV Rijswijk
 Tel. (+31-70) 340-2040, Tx. 31 651 epo nl,
 Fax: (+31-70) 340-3016

Authorized officer

Brachmann, Patrick

INTERNATIONAL SEARCH REPORT

Information on patent family members

International application No

PCT/IB2007/050173

Patent document cited in search report	Publication date	Patent family member(s)	Publication date
US 5276728	A	04-01-1994	NONE
BE 1012642	A3	06-02-2001	DE 29606198 U1 20-06-1996
			FR 2733850 A1 08-11-1996
			GB 2300744 A 13-11-1996
			IT RE950019 U1 07-08-1995