

- [54] BOWL
- [75] Inventor: Hubert E. Christian, Phoenix, Ariz.
- [73] Assignee: Dart Industries Inc., Los Angeles, Calif.
- [**] Term: 14 Years
- [21] Appl. No.: 719,036
- [22] Filed: Aug. 30, 1976
- [51] Int. Cl. D7-01
- [52] U.S. Cl. D7/20; D7/21
- [58] Field of Search D7/1, 23, 97, 21, 20, D7/19, 16, 17, 18, 22, 28, 98; D9/220

- [56] **References Cited**
- U.S. PATENT DOCUMENTS**
- D. 54,898 4/1920 Churchill D7/20
- D. 56,336 10/1920 Beiswanger D7/17

OTHER PUBLICATIONS

The Pottery Gazette and Glass Trade Review, Dec. 1, 1936, p. 1595, top, top center bowl.

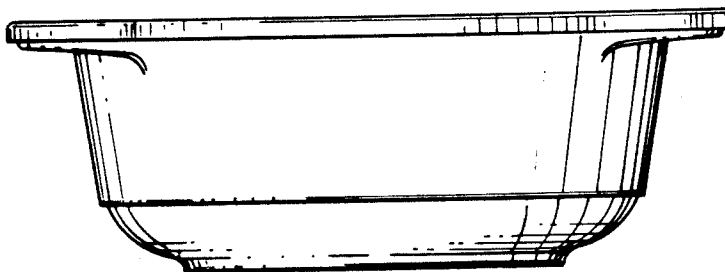
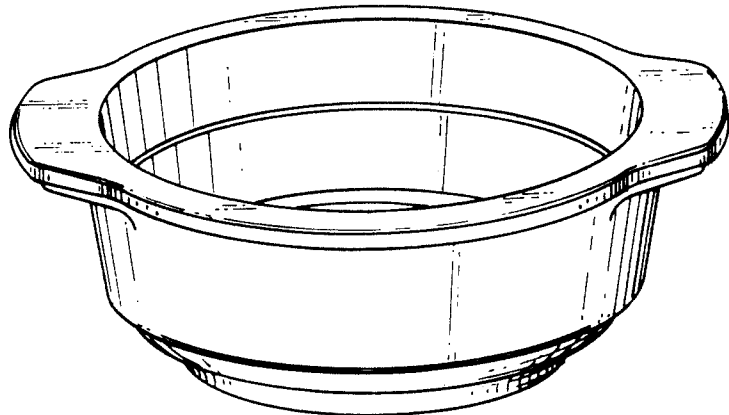
Primary Examiner—Winifred E. Herrmann
Attorney, Agent, or Firm—Kenneth J. Hovet

[57] CLAIM

The ornamental design for a bowl, substantially as shown.

DESCRIPTION

FIG. 1 is a perspective view of a bowl embodying my ornamental design;
 FIG. 2 is a side elevation view thereof;
 FIG. 3 is an end elevation view thereof;
 FIG. 4 is a top plan elevation view thereof;
 FIG. 5 is a bottom plan view thereof, and;
 FIG. 6 is a cross-section taken along lines 6-6 of FIG. 3.



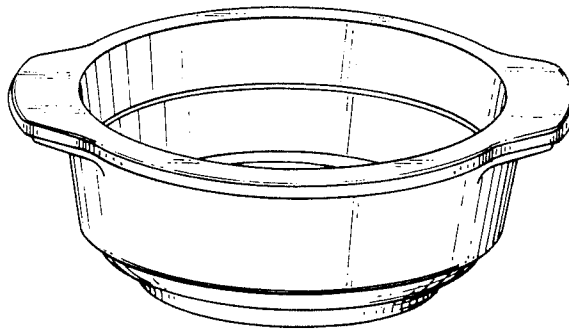


FIG. 1

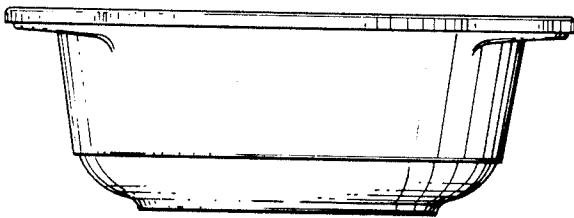


FIG. 2

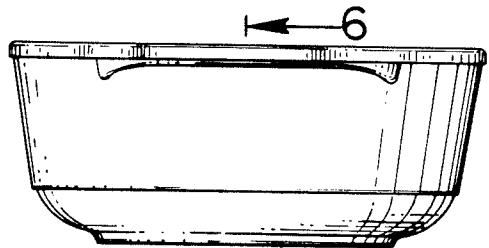


FIG. 3 6

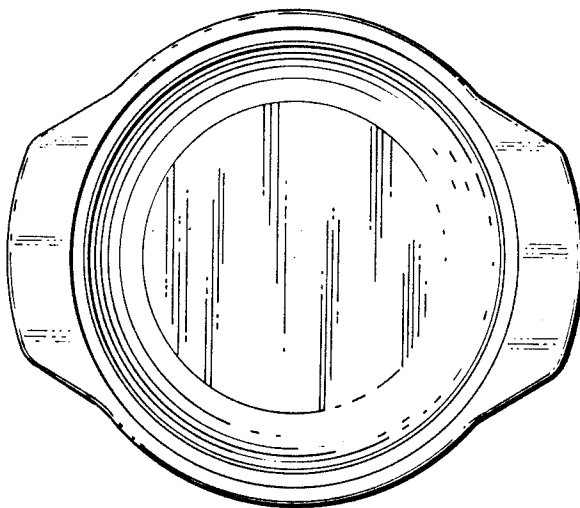


FIG. 4

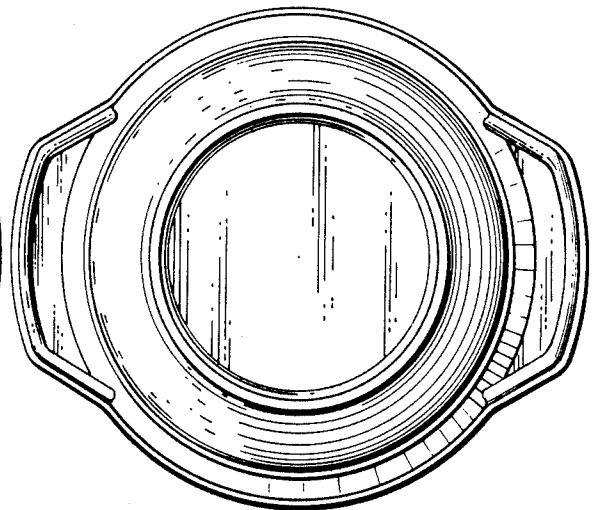


FIG. 5 6

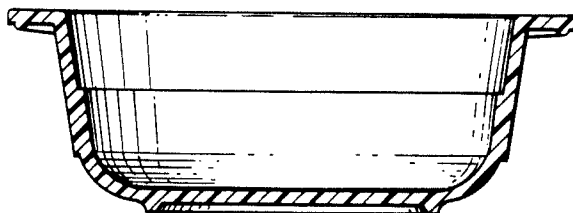


FIG. 6