



US0D1069438S

(12) **United States Design Patent**
Zhao

(10) **Patent No.:** **US D1,069,438 S**

(45) **Date of Patent:** **** Apr. 8, 2025**

(54) **MASSAGE CHAIR**

FOREIGN PATENT DOCUMENTS

(71) Applicant: **Massage Chair Max, Inc.**, Chamblee, GA (US)

CN 308926593 * 11/2024
EM 009010754-0001 * 5/2022

(Continued)

(72) Inventor: **Sharp Zhao**, Chamblee, GA (US)

OTHER PUBLICATIONS

(73) Assignee: **Massage Chair Max, Inc.**, Chamblee, GA (US)

RELX Massage Chair, Posted Oct. 17, 2023 [online], [Retrieved Nov. 21, 2024]. Retrieved from internet, <https://a.co/d/6BDQmA3> (Year: 2023).*

(**) Term: **15 Years**

(Continued)

(21) Appl. No.: **29/969,305**

(22) Filed: **Oct. 22, 2024**

(51) **LOC (15) Cl.** **06-01**

(52) **U.S. Cl.**

USPC **D6/367**

(58) **Field of Classification Search**

USPC D6/334, 356, 360, 362, 363, 364, 365, D6/366, 367, 377, 379, 380, 702, 716, D6/716.1, 716.2, 716.3, 716.4, 716.6, D6/716.7

CPC A47C 11/00; A47C 1/0308; A47C 7/543; A61H 7/00

See application file for complete search history.

Primary Examiner — Catherine Ho

Assistant Examiner — Joseph J. Seddon

(57)

CLAIM

The ornamental design for a massage chair, as shown and described.

DESCRIPTION

FIG. 1 is a front perspective view of a massage chair, showing my new design;

FIG. 2 is a rear perspective view thereof;

FIG. 3 is a front view thereof;

FIG. 4 is a rear view thereof;

FIG. 5 is a left side view thereof;

FIG. 6 is a right side view thereof;

FIG. 7 is a top view thereof;

FIG. 8 is a bottom view thereof;

FIG. 9 is an enlarged detail view of area 9 in FIG. 1;

FIG. 10 is an enlarged detail view of area 10 in FIG. 1;

FIG. 11 is an enlarged detail view of area 11 in FIG. 2; and,

FIG. 12 is an enlarged detail view of area 12 in FIG. 2.

The broken lines in the drawings illustrate the portions of the massage chair, which form no part of the claimed design.

The dash-dot-dash broken lines depict the borders of the enlarged detail views and form no part of the claimed design.

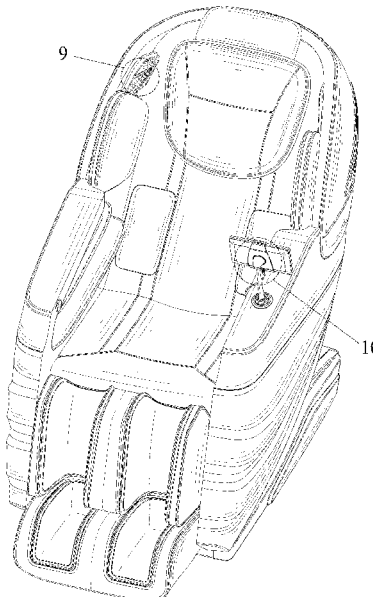
(56) **References Cited**

U.S. PATENT DOCUMENTS

D538,056	S	*	3/2007	Lifeng	D6/367
D653,468	S	*	2/2012	Hsieh	D6/367
D796,219	S	*	9/2017	Lin	D6/367
D836,354	S	*	12/2018	Cai	D6/367
D869,182	S	*	12/2019	Lin	D6/367
D878,784	S	*	3/2020	Hurford	D6/365
D921,388	S	*	6/2021	Wang	D6/367
D923,351	S	*	6/2021	Lin	D6/367
D968,832	S	*	11/2022	Zhao	D6/367
D968,833	S	*	11/2022	Zhao	D6/367

(Continued)

1 Claim, 12 Drawing Sheets



(56)

References Cited

U.S. PATENT DOCUMENTS

D969,510 S * 11/2022 Zhao D6/367
D981,125 S * 3/2023 Zhao D6/367
D982,339 S * 4/2023 Zheng A61H 7/00
D6/367
D1,004,314 S * 11/2023 Ruggiero D6/367
D1,016,511 S * 3/2024 Ruggiero D6/367
D1,022,495 S * 4/2024 Zhou D6/367
2015/0051526 A1* 2/2015 Wang A47C 11/00
601/99
2020/0046127 A1* 2/2020 Levin A47C 7/543
2024/0180772 A1* 6/2024 Lin A47C 1/0308

FOREIGN PATENT DOCUMENTS

KR 301153678.0000 * 3/2022
RU 00132439 * 7/2022

OTHER PUBLICATIONS

Real Relax Massage Chair, Posted Nov. 23, 2023 [online]. [Retrieved Nov. 21, 2024]. Retrieved from internet, <https://a.co/d/awBtj0T> (Year: 2023).*

Mazzup4D Massage Chair, Posted Oct. 18, 2024 [online]. [Retrieved Nov. 21, 2024]. Retrieved from internet, <https://a.co/d/ceOjh00> (Year: 2024).*

* cited by examiner

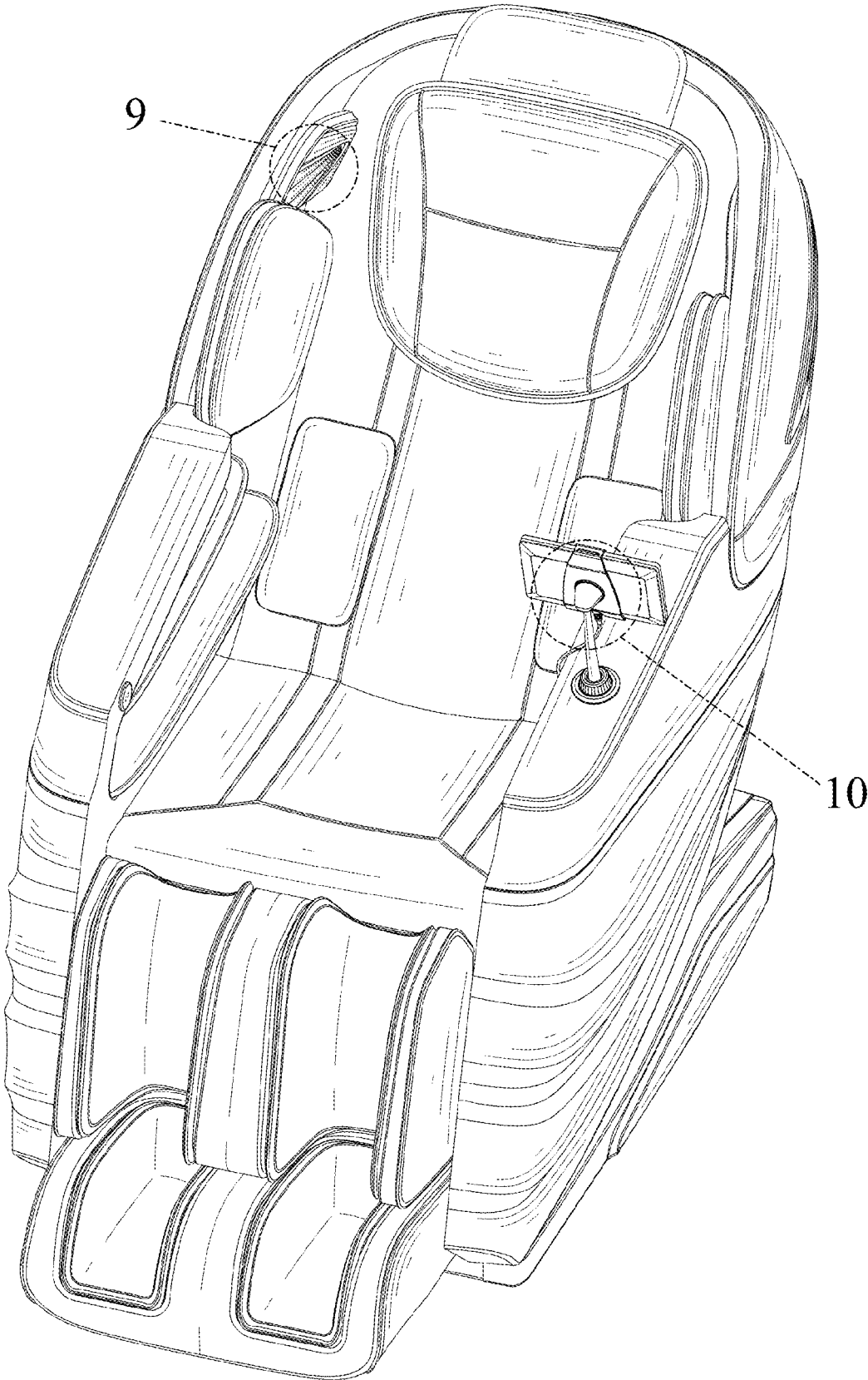


FIG. 1

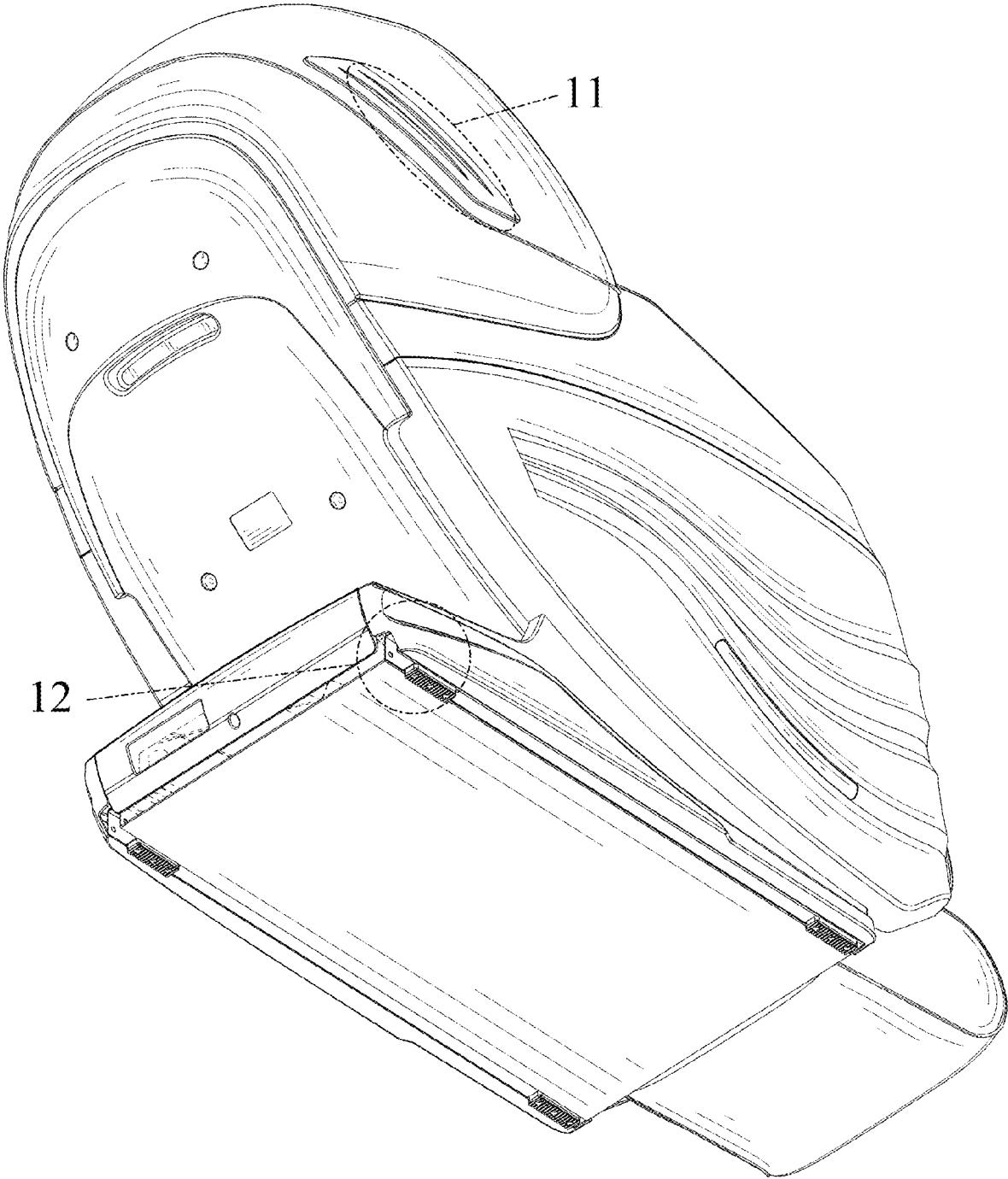


FIG. 2

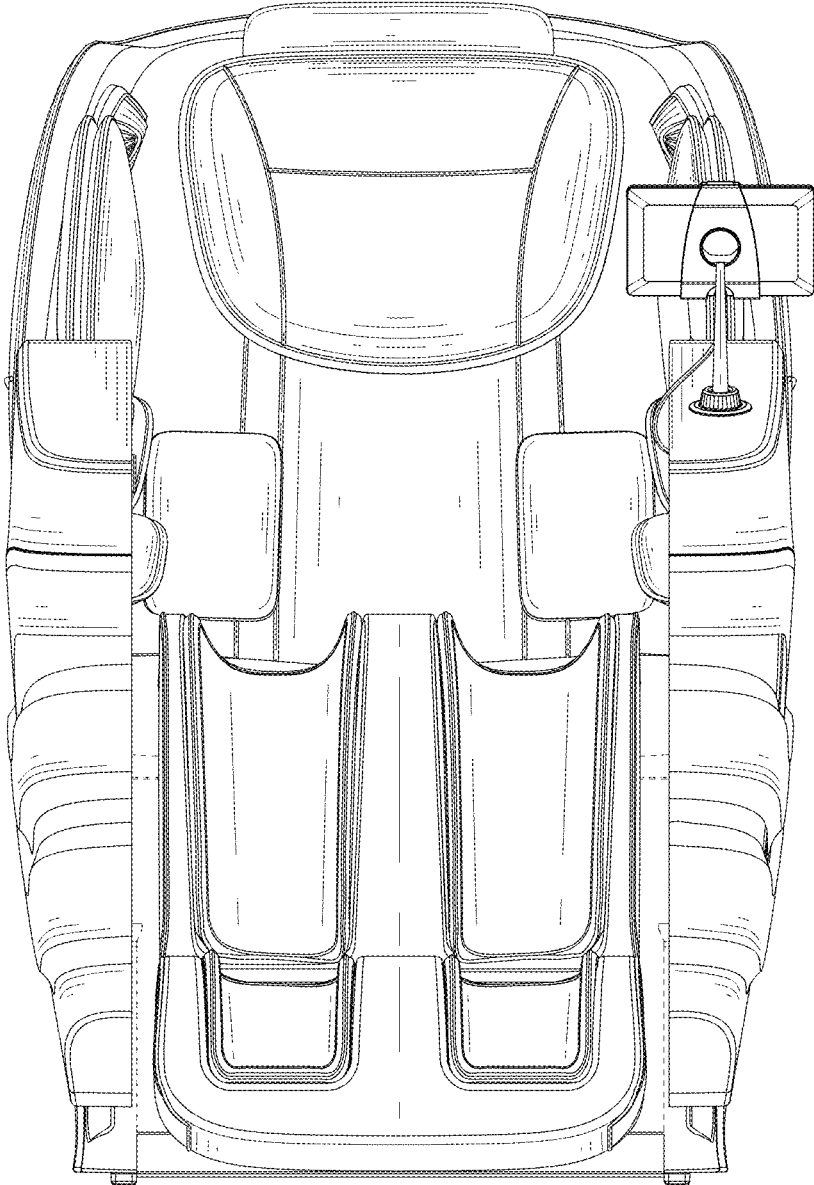


FIG. 3

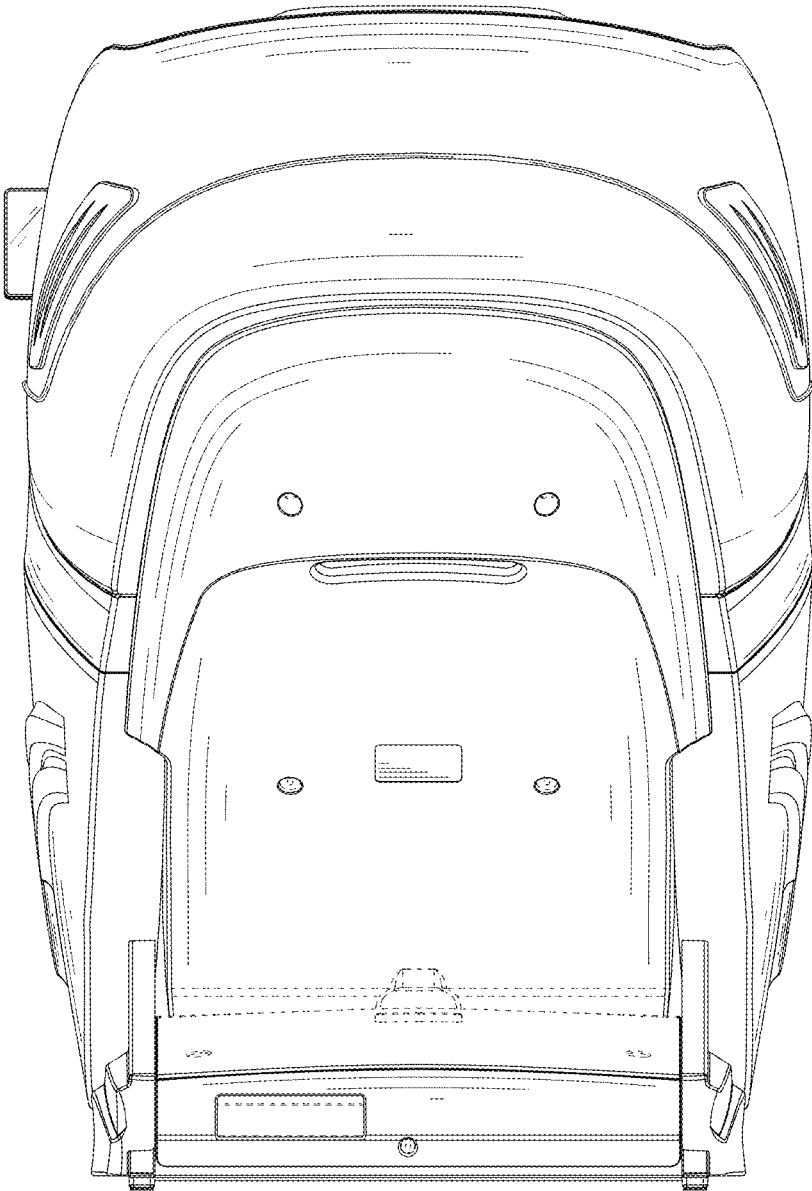


FIG. 4

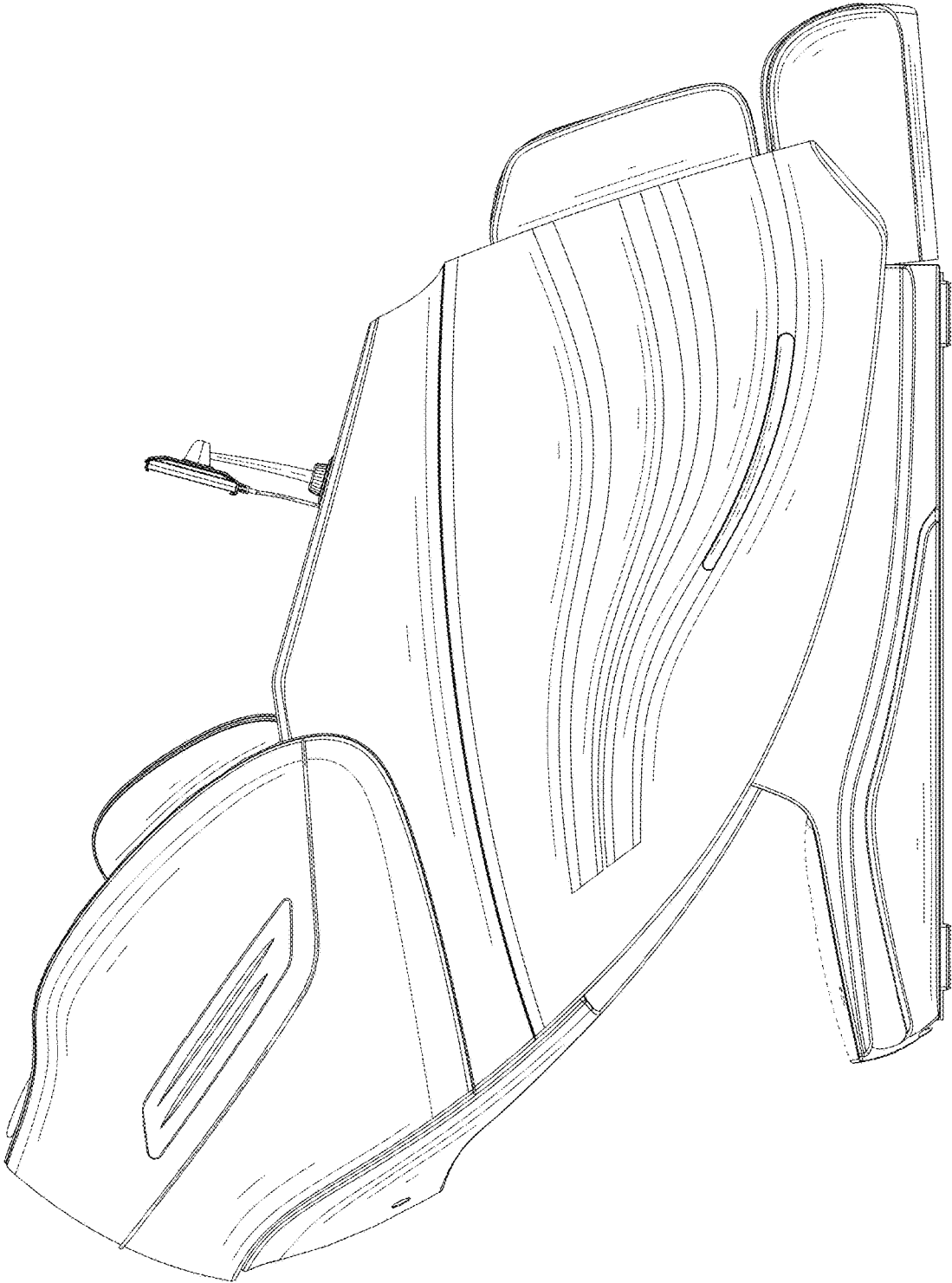


FIG. 5

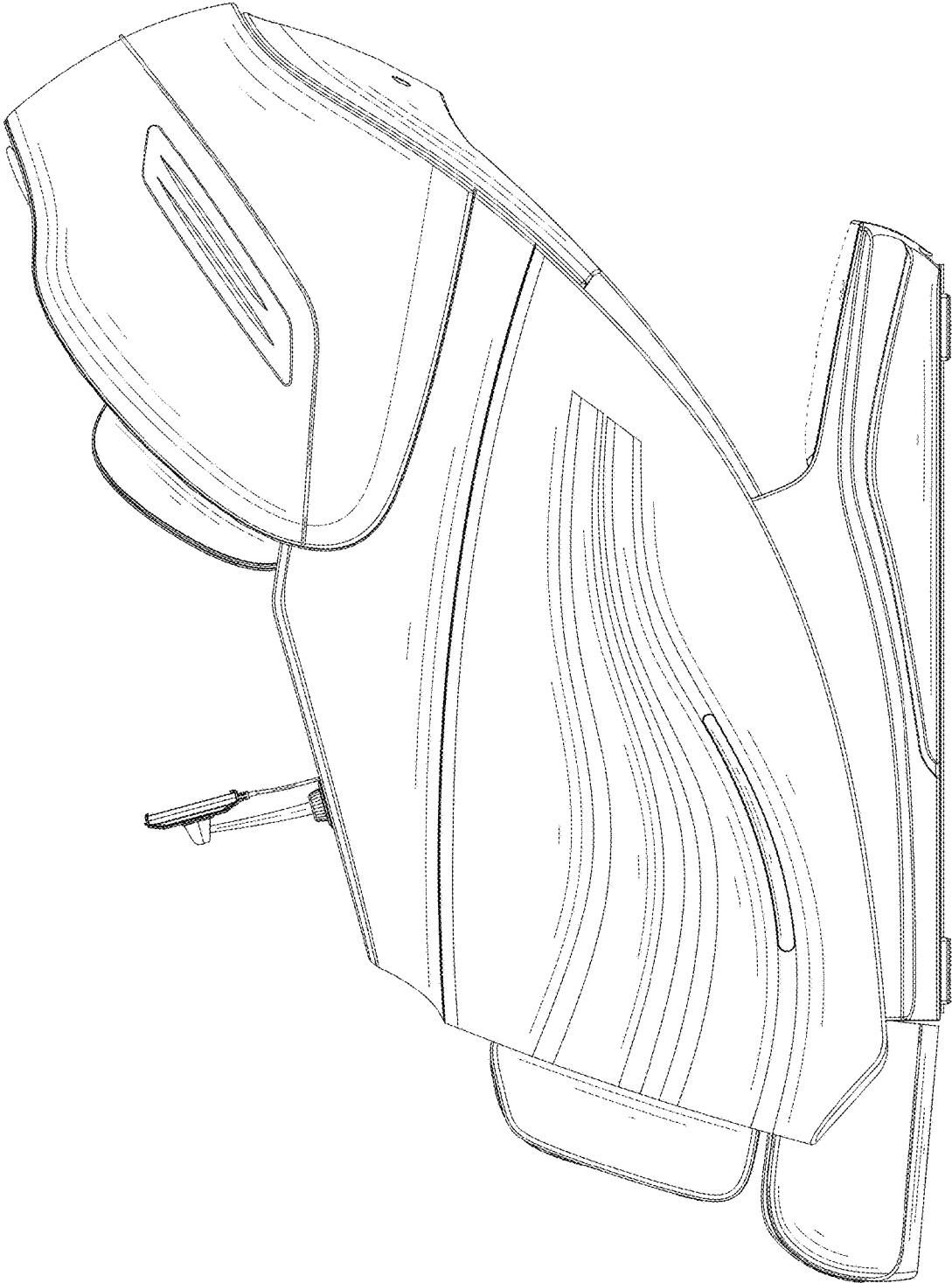


FIG. 6

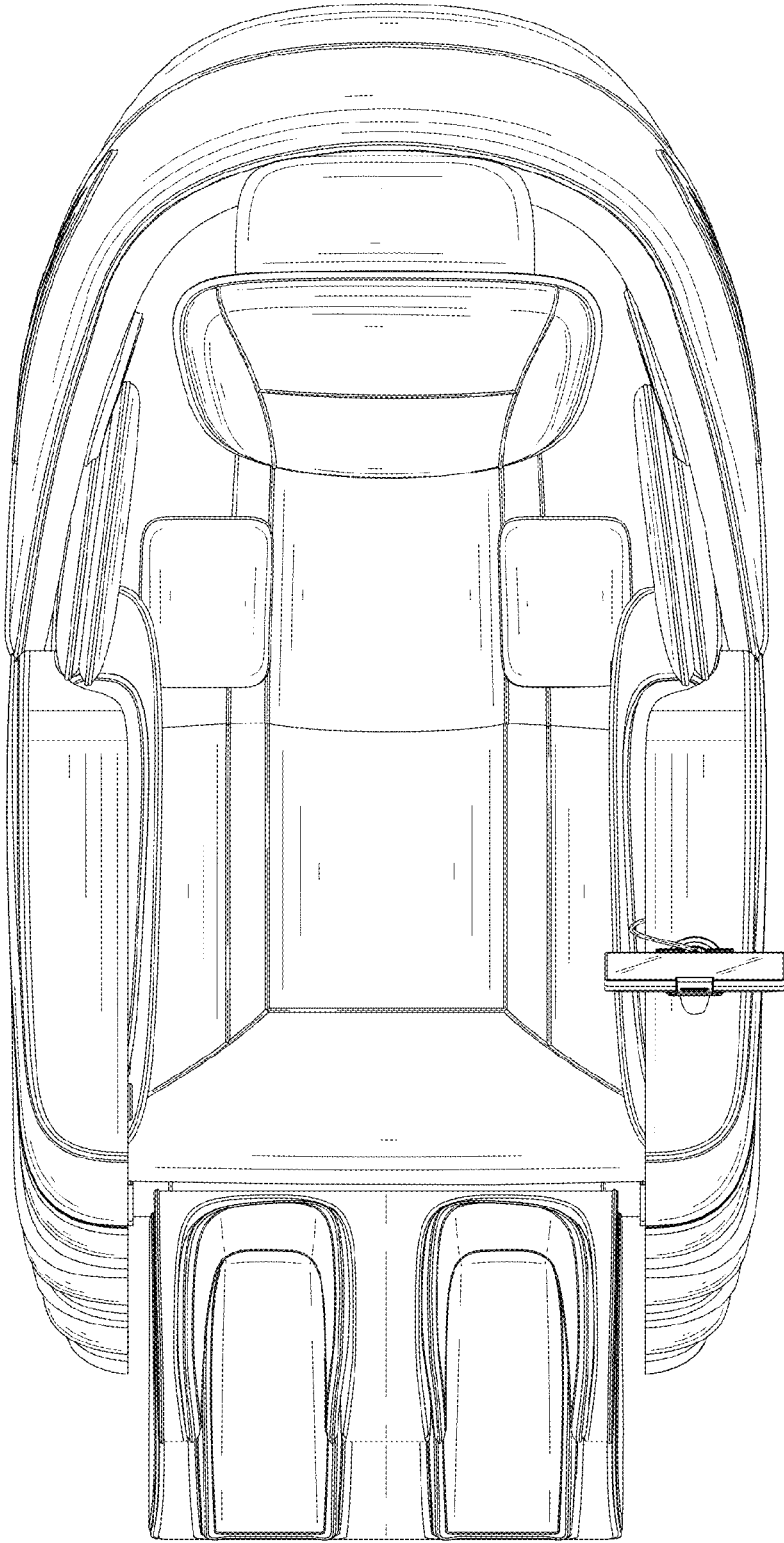


FIG. 7

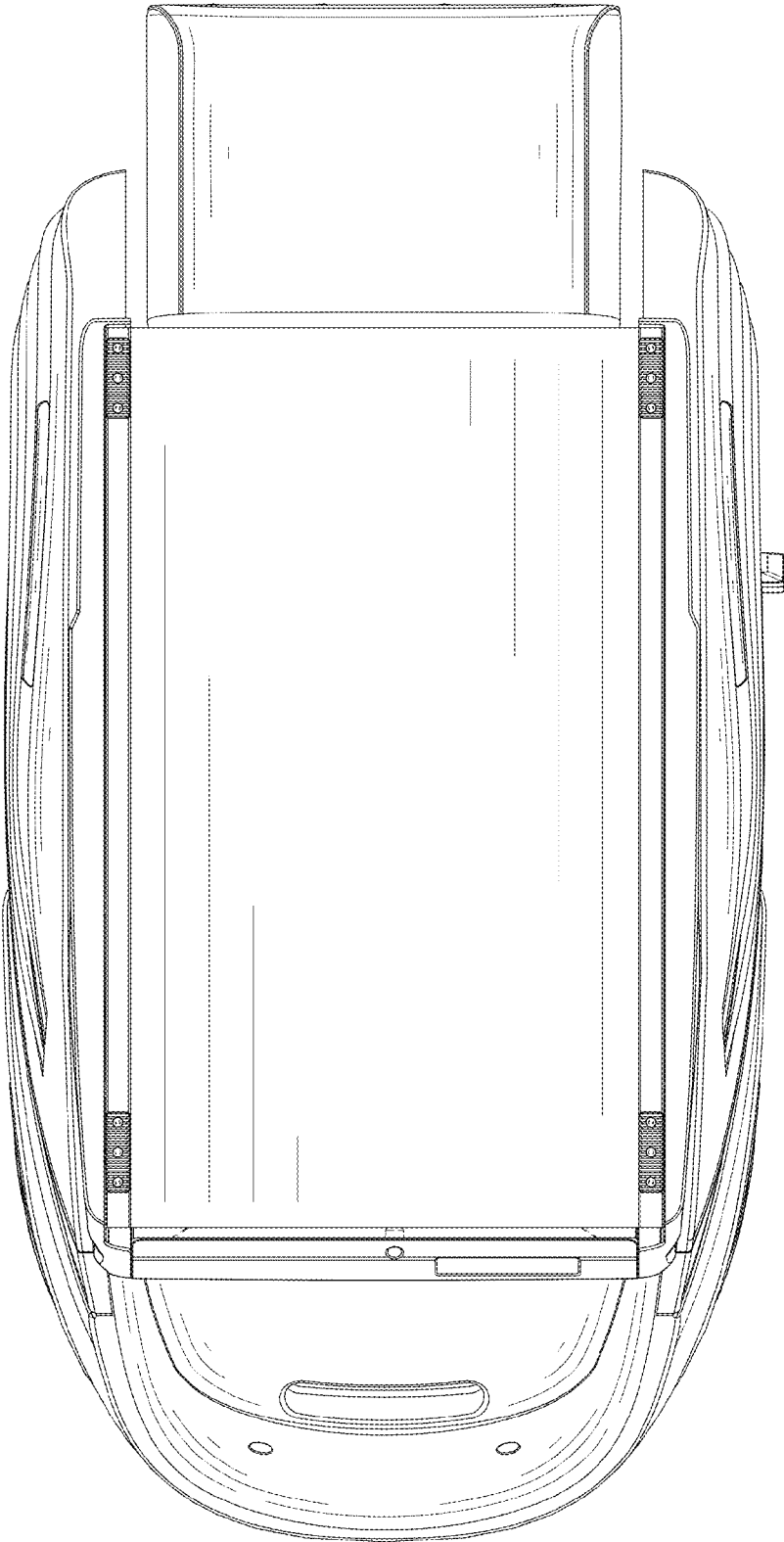


FIG. 8

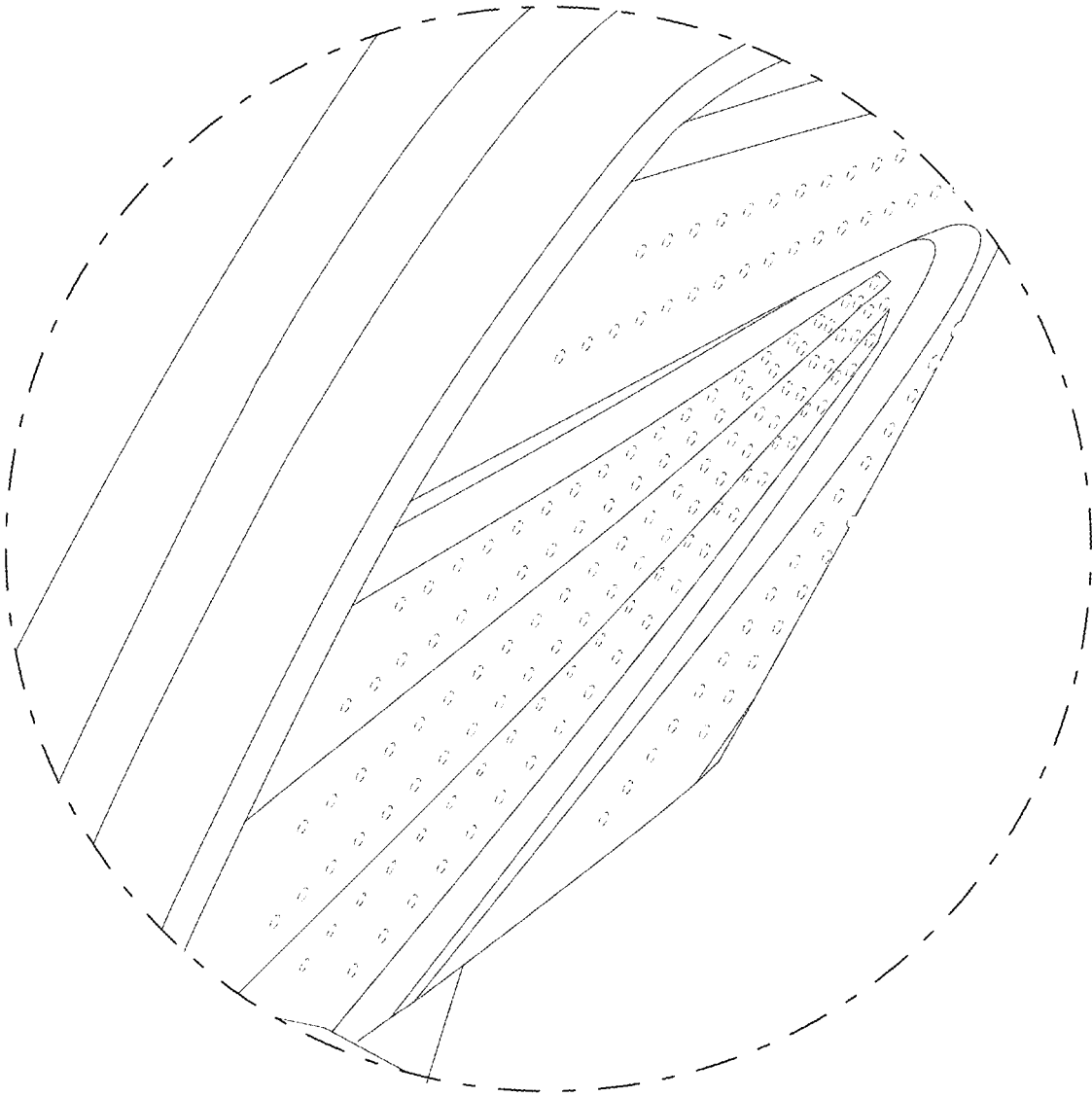


FIG. 9

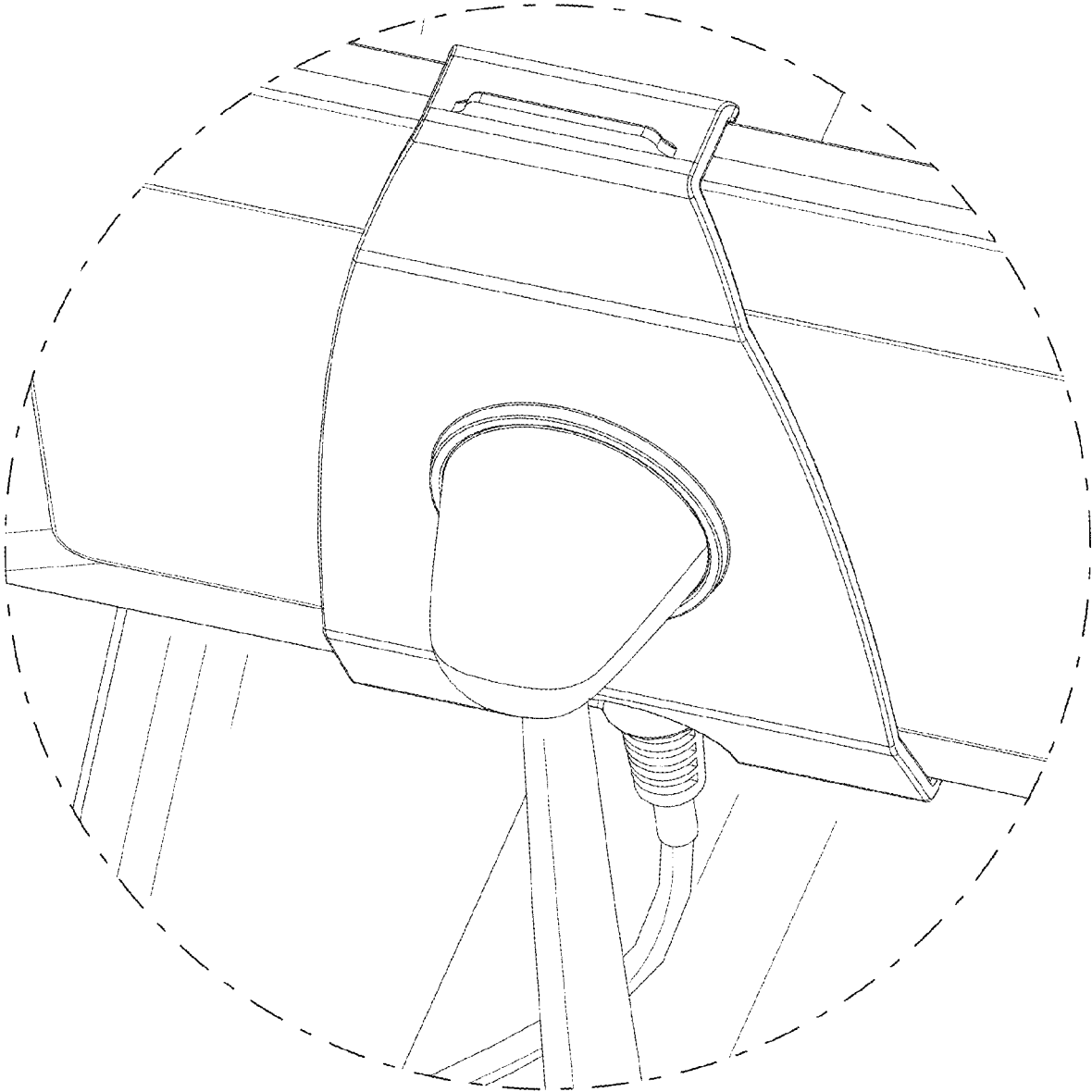


FIG. 10

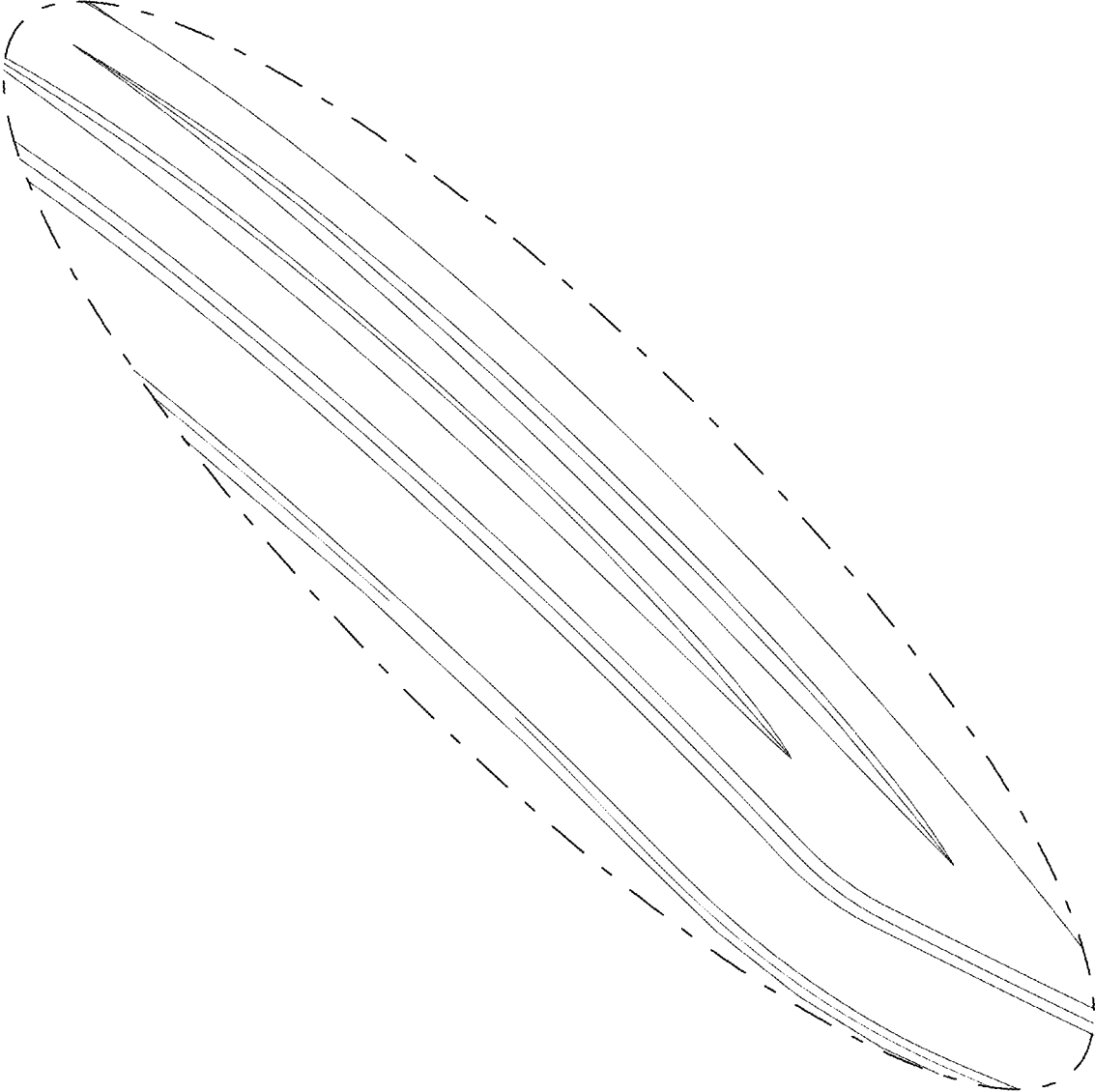


FIG. 11

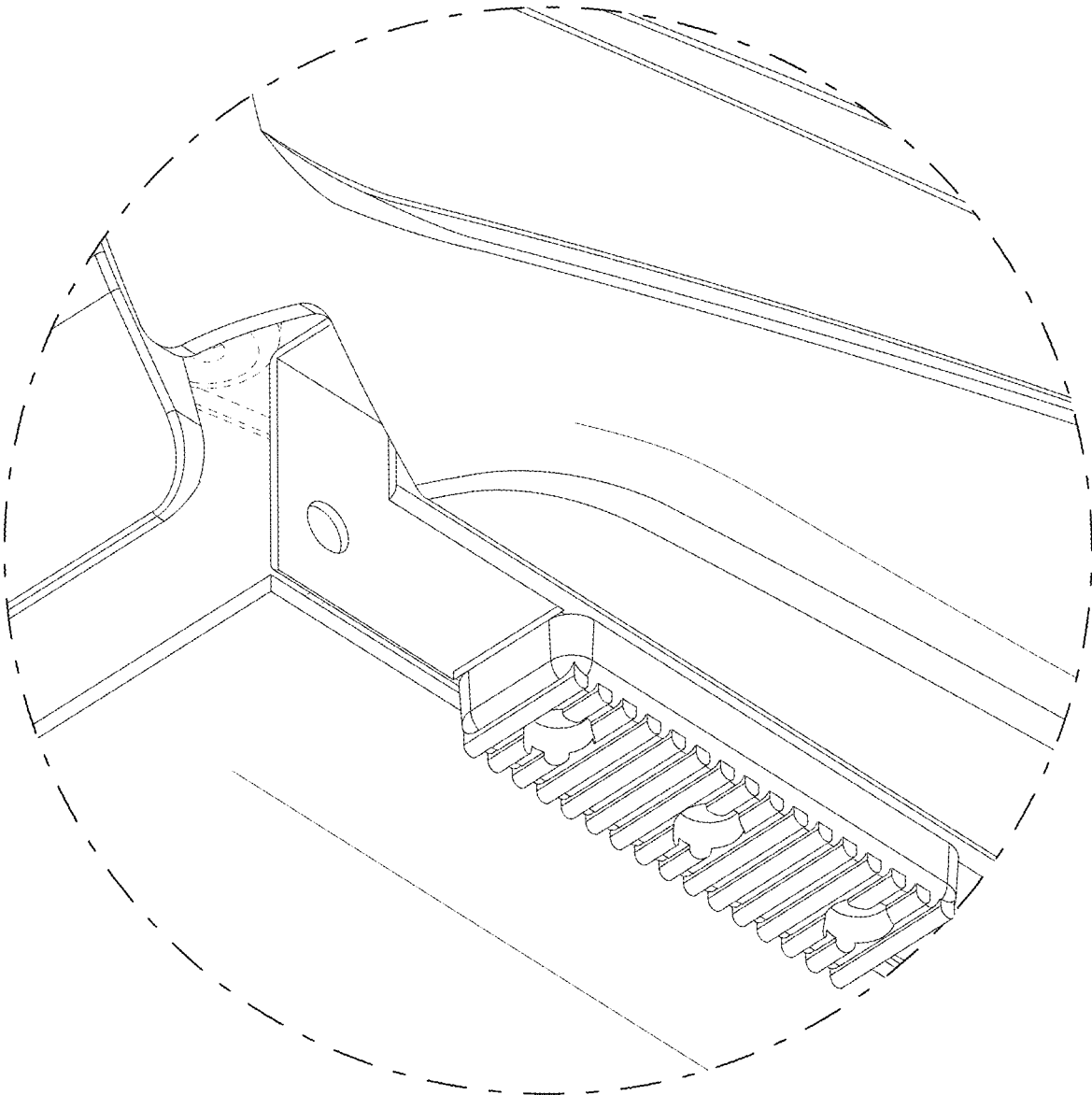


FIG. 12