

(12) INTERNATIONAL APPLICATION PUBLISHED UNDER THE PATENT COOPERATION TREATY (PCT)

(19) World Intellectual Property Organization  
International Bureau



(43) International Publication Date  
20 February 2003 (20.02.2003)

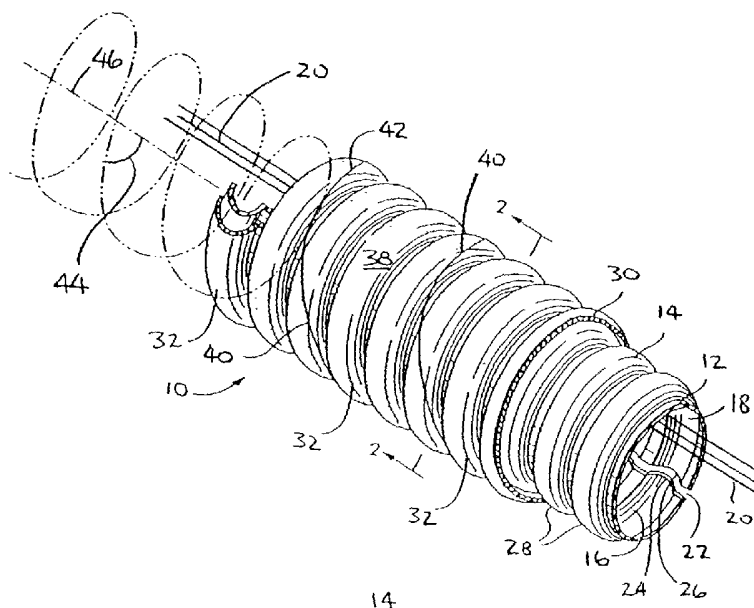
PCT

(10) International Publication Number  
WO 03/014591 A3

- (51) International Patent Classification<sup>7</sup>: H01B 7/18
- (21) International Application Number: PCT/US02/24795
- (22) International Filing Date: 6 August 2002 (06.08.2002)
- (25) Filing Language: English
- (26) Publication Language: English
- (30) Priority Data:  
60/311,291 9 August 2001 (09.08.2001) US
- (71) Applicant (for all designated States except US): **FEDERAL-MOGUL POWERTRAIN, INC.** [US/US]; 26555 Northwestern Highway, Southfield, MI 48034 (US).
- (72) Inventor; and
- (75) Inventor/Applicant (for US only): **MARKS, Philipp, E.** [US/US]; 9196 Meadowdale Drive, Brighton, MI 48114 (US).
- (74) Agents: **LINDROOTH, Charles, H., et al.**; Synnestvedt & Lechner, 2600 Aramark Tower, 1101 Market Street, Philadelphia, PA 19107-2950 (US).
- (81) Designated States (national): AE, AG, AL, AM, AT, AU, AZ, BA, BB, BG, BR, BY, BZ, CA, CH, CN, CO, CR, CU, CZ, DE, DK, DM, DZ, EC, EE, ES, FI, GB, GD, GE, GH, GM, HR, HU, ID, IL, IN, IS, JP, KE, KG, KP, KR, KZ, LC, LK, LR, LS, LT, LU, LV, MA, MD, MG, MK, MN, MW, MX, MZ, NO, NZ, OM, PH, PL, PT, RO, RU, SD, SE, SG, SI, SK, SL, TJ, TM, TN, TR, TT, TZ, UA, UG, US, UZ, VC, VN, YU, ZA, ZM, ZW.
- (84) Designated States (regional): ARIPO patent (GH, GM, KE, LS, MW, MZ, SD, SL, SZ, TZ, UG, ZM, ZW), Eurasian patent (AM, AZ, BY, KG, KZ, MD, RU, TJ, TM), European patent (AT, BE, BG, CH, CY, CZ, DE, DK, EE, ES, FI, FR, GB, GR, IE, IT, LU, MC, NL, PT, SE, SK, TR), OAPI patent (BF, BJ, CF, CG, CI, CM, GA, GN, GQ, GW, ML, MR, NE, SN, TD, TG).
- Declaration under Rule 4.17:**  
— of inventorship (Rule 4.17(iv)) for US only
- Published:**  
— with international search report
- (88) Date of publication of the international search report:  
18 December 2003

[Continued on next page]

(54) Title: VIBRATION DAMPING CORRUGATED FLEXIBLE SLEEVING



(57) Abstract: A flexible sleeve (10) for damping vibrations and suppressing noise is disclosed. The sleeve is corrugated for radial stiffness and bending flexibility and has one or more damping layers (12, 14) of non-woven felt adhered to a flexible, resilient tubular support layer. The damping layers may be on both the inside and outside surfaces of the support layer. The support layer defines an interior space for receiving elongate substrates (20), the sleeve being slit (22) to provide access to the interior space. Manufacture of the sleeve is by wrapping elongate multilayer strips combining the damping and support layers helically around a convoluted mandrel and applying heat and pressure to join the strips and force them to conform to the convoluted shape of the mandrel.



WO 03/014591 A3



---

*For two-letter codes and other abbreviations, refer to the "Guidance Notes on Codes and Abbreviations" appearing at the beginning of each regular issue of the PCT Gazette.*

INTERNATIONAL SEARCH REPORT

International application No.  
PCT/US02/24795

<p><b>A. CLASSIFICATION OF SUBJECT MATTER</b>                  IPC(7) :H01B 7/18                  US CL :174/102D                  According to International Patent Classification (IPC) or to both national classification and IPC</p>		
<p><b>B. FIELDS SEARCHED</b>                  Minimum documentation searched (classification system followed by classification symbols)                  U.S. : 174/102D</p>		
<p>Documentation searched other than minimum documentation to the extent that such documents are included in the fields searched                  NONE</p>		
<p>Electronic data base consulted during the international search (name of data base and, where practicable, search terms used)                  NONE</p>		
<p><b>C. DOCUMENTS CONSIDERED TO BE RELEVANT</b></p>		
Category*	Citation of document, with indication, where appropriate, of the relevant passages	Relevant to claim No.
X	US 5,077,449 A (CORNIBERT et al.) 31 December 199, Figure 3	1-8
X	US 4,780,574 A (NEUROTH) 25 October 1988, Figures 1-5	1, 7, 9-23
---		
Y		24
Y	US 5,393,929 A (YAGIHASHI) 28 Febuary 1995, the entire document	24
<p><input type="checkbox"/> Further documents are listed in the continuation of Box C. <input type="checkbox"/> See patent family annex.</p>		
* Special categories of cited documents:	"T"	later document published after the international filing date or priority date and not in conflict with the application but cited to understand the principle or theory underlying the invention
"A" document defining the general state of the art which is not considered to be of particular relevance	"X"	document of particular relevance; the claimed invention cannot be considered novel or cannot be considered to involve an inventive step when the document is taken alone
"E" earlier document published on or after the international filing date	"Y"	document of particular relevance; the claimed invention cannot be considered to involve an inventive step when the document is combined with one or more other such documents, such combination being obvious to a person skilled in the art
"L" document which may throw doubts on priority claim(s) or which is cited to establish the publication date of another citation or other special reason (as specified)	"G"	document member of the same patent family
"O" document referring to an oral disclosure, use, exhibition or other means		
"P" document published prior to the international filing date but later than the priority date claimed		
Date of the actual completion of the international search 24 JUNE 2003	Date of mailing of the international search report <b>10 SEP 2003</b>	
Name and mailing address of the ISA/US Commissioner of Patents and Trademarks Box PCT Washington, D.C. 20231 Facsimile No. (703) 305-3230	Authorized officer <i>Sham S. Hoque</i> CHAU N. NGUYEN Telephone No. (703) 308-0693	