

(19) World Intellectual Property Organization
International Bureau



(43) International Publication Date
17 July 2008 (17.07.2008)

PCT

(10) International Publication Number
WO 2008/086111 A3

(51) International Patent Classification:
A61F 9/01 (2006.01) GO1B 11/27 (2006.01)
B23K 26/02 (2006.01)

(21) International Application Number:
PCT/US2008/050137

(22) International Filing Date: 3 January 2008 (03.01.2008)

(25) Filing Language: English

(26) Publication Language: English

(30) Priority Data:
11/620,493 5 January 2007 (05.01.2007) US

(71) Applicant (for all designated States except US): AMO
MANUFACTURING USA, INC. [US/US]; 510 Cotton-
wood, Milpitas, CA 95035 (US).

(72) Inventor; and

(75) Inventor/Applicant (for US only): GRAY, Michael, S.
[US/US]; 679 Carolina Avenue, Sunnyvale, CA 94085
(US).

(74) Agent: WEBER, David; c/o Advanced Medical Optics,
INC., 1700 E. St. Andrew Place, Santa Ana, CA 92705
(US).

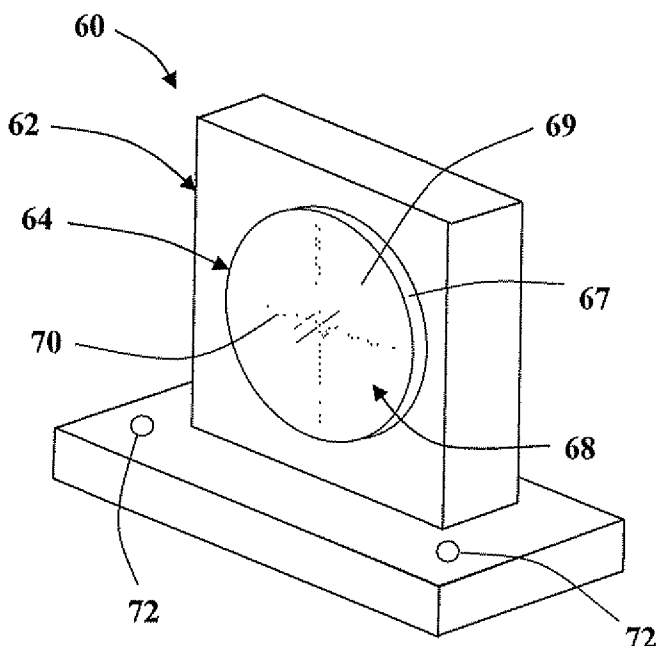
(81) Designated States (unless otherwise indicated, for every
kind of national protection available): AE, AG, AL, AM,
AO, AT, AU, AZ, BA, BB, BG, BH, BR, BW, BY, BZ, CA,
CH, CN, CO, CR, CU, CZ, DE, DK, DM, DO, DZ, EC, EE,
EG, ES, FI, GB, GD, GE, GH, GM, GT, HN, HR, HU, ID,
IL, IN, IS, JP, KE, KG, KM, KN, KP, KR, KZ, LA, LC,
LK, LR, LS, LT, LU, LY, MA, MD, ME, MG, MK, MN,
MW, MX, MY, MZ, NA, NG, NI, NO, NZ, OM, PG, PH,
PL, PT, RO, RS, RU, SC, SD, SE, SG, SK, SL, SM, SV,
SY, TJ, TM, TN, TR, TT, TZ, UA, UG, US, UZ, VC, VN,
ZA, ZM, ZW

(84) Designated States (unless otherwise indicated, for every
kind of regional protection available): ARIPO (BW, GH,
GM, KE, LS, MW, MZ, NA, SD, SL, SZ, TZ, UG, ZM,
ZW), Eurasian (AM, AZ, BY, KG, KZ, MD, RU, TJ, TM),
European (AT, BE, BG, CH, CY, CZ, DE, DK, EE, ES, FI,
FR, GB, GR, HR, HU, IE, IS, IT, LT, LU, LV, MC, MT, NL,
NO, PL, PT, RO, SE, SI, SK, TR), OAPI (BF, BJ, CF, CG,
CI, CM, GA, GN, GQ, GW, ML, MR, NE, SN, TD, TG).

Published:
— with international search report

(88) Date of publication of the international search report:
9 October 2008

(54) Title: LASER BEAM ALIGNMENT DEVICES, SYSTEMS, AND METHODS



(57) Abstract: An alignment tool for a laser beam
delivery system includes a base having one or
more registration elements and an alignment optic
operably coupled to the base. The alignment optic
has a fluorescent element and a front surface. The
fluorescent element is configured to fluoresce when
illuminated by electromagnetic radiation produced by
a laser. The front surface includes a reflective surface
and an alignment mark. The reflective surface is
configured to specularly reflect the electromagnetic
radiation, while the alignment mark, which is centrally
disposed within the reflective surface, is configured to
diffusely scatter the electromagnetic radiation.

WO 2008/086111 A3

INTERNATIONAL SEARCH REPORT

International application No PCT/US2008/050137

A. CLASSIFICATION OF SUBJECT MATTER		
INV. A61F9/01	B23K26/02	G01B11/27
According to International Patent Classification (IPC) or to both national classification and IPC		
B. FIELDS SEARCHED		
Minimum documentation searched (classification system followed by classification symbols) A61F B23K G01J G02B G01B		
Documentation searched other than minimum documentation to the extent that such documents are included in the fields searched		
Electronic data base consulted during the international search (name of data base and, where practical, search terms used) EPO-Internal		
C. DOCUMENTS CONSIDERED TO BE RELEVANT		
Category*	Citation of document with indication where appropriate, of the relevant passages	Relevant to claim No
X	US 5 684 593 A (STENTON CONRAD [CA]) 4 November 1997 (1997-11-04) column 3, line 59 - column 4, line 31 -----	13-16, 19,20
Y	US 2006/092406 A1 (LIZOTTE TODD E [US]) 4 May 2006 (2006-05-04) paragraphs [0037] - [0046], [0060] - [0064] -----	1-20
Y	WO 99/24796 A (VISX INC [US]; THOMPSON ANGELINA [US]; CLAPHAM TERRANCE N [US]; CAUDLE) 20 May 1999 (1999-05-20) page 8, line 17 - line 29 figures 1, IA, 5-8 ----- -/-	1-20
<input checked="" type="checkbox"/> Further documents are listed in the continuation of Box C <input checked="" type="checkbox"/> See patent family annex		
* Special categories of cited documents 'A' document defining the general state of the art which is not considered to be of particular relevance 'E' earlier document but published on or after the international filing date 'L' document which may throw doubts on priority claim(s) or which is cited to establish the publication date of another citation or other special reason (as specified) 'O' document referring to an oral disclosure use exhibition or other means 'P' document published prior to the international filing date but later than the priority date claimed 'T' later document published after the international filing date or priority date and not in conflict with the application but cited to understand the principle or theory underlying the invention 'X' document of particular relevance, the claimed invention cannot be considered novel or cannot be considered to involve an inventive step when the document is taken alone 'Y' document of particular relevance, the claimed invention cannot be considered to involve an inventive step when the document is combined with one or more other such documents such combination being obvious to a person skilled in the art 'S' document member of the same patent family		
Date of the actual completion of the international search 27 June 2008		Date of mailing of the International search report 09/07/2008
Name and mailing address of the ISA/ European Patent Office P B 5818 Patentlaan 2 NL - 2280 HV RIJSWIJK Tel (+31-70) 340-2040 Tx 31 651 epo nl Fax (+31-70) 340-3016		Authorized officer Lohman π, Stefan

INTERNATIONAL SEARCH REPORT

International application No PCT/US2008/050137

(Continuation). DOCUMENTS CONSIDERED TO BE RELEVANT		
Category*	Citation of document, with indication, where appropriate, of the relevant passages	Relevant to claim No
A	EP 1 273 279 A (JURCA OPTOELEKTRONIK GMBH & CO [DE]) 8 January 2003 (2003-01-08) abstract paragraph [0035] -----	1-20
A	US 2005/021011 A1 (LAHAYE LEON C [US]) 27 January 2005 (2005-01-27) paragraph [0043] figure 3 -----	1-20

INTERNATIONAL SEARCH REPORT

Information on patent family members

International application No

PCT/US2008/050137

Patent document cited in search report	Publication date	Patent family member(s)	Publication date
US 5684593	A	04-11-1997	NONE
us 2006092406	A1	04-05-2006	NONE
UO 9924796	A	20-05-1999	AU 1386899 A 31-05-1999
EP 1273279	A	08-01-2003	DE 10128650 A1 09-01-2003
US 2005021011	A1	27-01-2005	NONE