

(19) World Intellectual Property Organization
International Bureau



(43) International Publication Date
27 September 2007 (27.09.2007)

PCT

(10) International Publication Number
WO 2007/109006 A3

(51) International Patent Classification:
A61M 37/00 (2006.01)

(21) International Application Number:
PCT/US2007/006243

(22) International Filing Date: 9 March 2007 (09.03.2007)

(25) Filing Language: English

(26) Publication Language: English

(30) Priority Data:
60/782,941 16 March 2006 (16.03.2006) US
Not furnished 12 February 2007 (12.02.2007) US

(71) Applicant (for all designated States except US): SEATTLE MEDICAL TECHNOLOGIES, INC. [US/US]; 1000 Second Avenue, Suite 1440, Seattle, WA 98104-3613 (US).

(72) Inventors; and

(75) Inventors/Applicants (for US only): ALFERNESS, Clifton, A. [US/US]; 5945 Marymac Dr. SW, Port Orchard, WA 98367-7450 (US). ADAMS, John, M. [US/US]; 11420 NE 87th St., Kirkland, WA 98033-5744 (US). HAWKINS, Daniel [US/US]; 15309 SE 82nd Street, Newcastle, WA 98059-9223 (US).

(74) Agents: GRAY, Richard, O. et al.; Graybeal Jackson Haley LLP, 155 - 108th Ave NE, Suite 350, Bellevue, WA 98004-5973 (US).

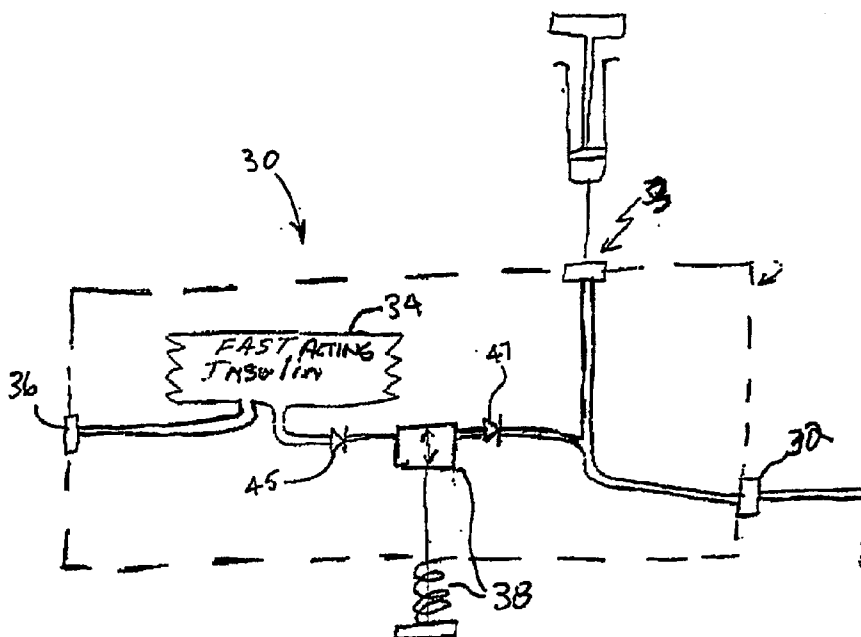
(81) Designated States (unless otherwise indicated, for every kind of national protection available): AE, AG, AL, AM, AT, AU, AZ, BA, BB, BG, BR, BW, BY, BZ, CA, CH, CN, CO, CR, CU, CZ, DE, DK, DM, DZ, EC, EE, EG, ES, FI, GB, GD, GE, GH, GM, GT, HN, HR, HU, ID, IL, IN, IS, JP, KE, KG, KM, KN, KP, KR, KZ, LA, LC, LK, LR, LS, LT, LU, LY, MA, MD, MG, MK, MN, MW, MX, MY, MZ, NA, NG, NI, NO, NZ, OM, PG, PH, PL, PT, RO, RS, RU, SC, SD, SE, SG, SK, SL, SM, SV, SY, TJ, TM, TN, TR, TT, TZ, UA, UG, US, UZ, VC, VN, ZA, ZM, ZW.

(84) Designated States (unless otherwise indicated, for every kind of regional protection available): ARIPO (BW, GH, GM, KE, LS, MW, MZ, NA, SD, SL, SZ, TZ, UG, ZM, ZW), Eurasian (AM, AZ, BY, KG, KZ, MD, RU, TJ, TM), European (AT, BE, BG, CH, CY, CZ, DE, DK, EE, ES, FI, FR, GB, GR, HU, IE, IS, IT, LT, LU, LV, MC, MT, NL, PL, PT, RO, SE, SI, SK, TR), OAPI (BF, BJ, CF, CG, CI, CM, GA, GN, GQ, GW, ML, MR, NE, SN, TD, TG).

Published:
— with international search report

[Continued on next page]

(54) Title: INFUSION DEVICE CAPABLE OF PROVIDING MULTIPLE LIQUID MEDICAMENTS



(57) Abstract: A disposable infusion device comprises a base arranged to adhere to a patient's skin and a cannula arranged to extend from the base to beneath the patient's skin to deliver a liquid medicament to the patient. The device further includes a first source arranged to provide the cannula with a first liquid medicament and a second source arranged to provide the cannula with a second liquid medicament.

WO 2007/109006 A3



— *before the expiration of the time limit for amending the claims and to be republished in the event of receipt of amendments*

For two-letter codes and other abbreviations, refer to the "Guidance Notes on Codes and Abbreviations" appearing at the beginning of each regular issue of the PCT Gazette.

(88) Date of publication of the international search report:

27 December 2007

INTERNATIONAL SEARCH REPORT

International application No.

PCT/US07/06243

A. CLASSIFICATION OF SUBJECT MATTER

IPC(8) - A61M 37/00 (2007.01)

USPC - 604/131

According to International Patent Classification (IPC) or to both national classification and IPC

B. FIELDS SEARCHED

Minimum documentation searched (classification system followed by classification symbols)

IPC(8) - A61M 5/20, 5/32, 31/00, 37/00 (2007.01)

USPC - 604/93.01, 131, 134, 174

Documentation searched other than minimum documentation to the extent that such documents are included in the fields searched

Electronic data base consulted during the international search (name of data base and, where practicable, search terms used)

PatBase

C. DOCUMENTS CONSIDERED TO BE RELEVANT

Category*	Citation of document, with indication, where appropriate, of the relevant passages	Relevant to claim No.
X	WO 2005/039673 A2 (NIELSEN et al) 06 May 2005 (06.05.2005) entire document	1-10, 12-26
Y		11
Y	US 6,056,716 A (DANTONIO et al) 02 May 2000 (02.05.2000) entire document	11
A	US 5,785,688 A (JOSHI et al) 28 July 1998 (28.07.1998) entire document	1

Further documents are listed in the continuation of Box C.

* Special categories of cited documents:	"T" later document published after the international filing date or priority date and not in conflict with the application but cited to understand the principle or theory underlying the invention
"A" document defining the general state of the art which is not considered to be of particular relevance	"X" document of particular relevance; the claimed invention cannot be considered novel or cannot be considered to involve an inventive step when the document is taken alone
"E" earlier application or patent but published on or after the international filing date	"Y" document of particular relevance; the claimed invention cannot be considered to involve an inventive step when the document is combined with one or more other such documents, such combination being obvious to a person skilled in the art
"L" document which may throw doubts on priority claim(s) or which is cited to establish the publication date of another citation or other special reason (as specified)	"&" document member of the same patent family
"O" document referring to an oral disclosure, use, exhibition or other means	
"P" document published prior to the international filing date but later than the priority date claimed	

Date of the actual completion of the international search

01 October 2007

Date of mailing of the international search report

07 NOV 2007

Name and mailing address of the ISA/US

Mail Stop PCT, Attn: ISA/US, Commissioner for Patents
P.O. Box 1450, Alexandria, Virginia 22313-1450

Facsimile No. 571-273-3201

Authorized officer:

Blaine R. Copenheaver

PCT Helpdesk: 571-272-4300

PCT OSP: 571-272-7774