



(12) **United States Design Patent**
Orrantia Coppel

(10) **Patent No.:** **US D905,177 S**
(45) **Date of Patent:** **** Dec. 15, 2020**

- (54) **TOY BUILDING BRICK**
- (71) Applicant: **Hector Enrique Orrantia Coppel**,
Sinaloa (MX)
- (72) Inventor: **Hector Enrique Orrantia Coppel**,
Sinaloa (MX)
- (73) Assignee: **Hector Enrique Orrantia Coppel**,
Culiacán (MX)
- (**) Term: **15 Years**
- (21) Appl. No.: **29/680,005**
- (22) Filed: **Feb. 12, 2019**

7,347,028 B1 * 3/2008 Bin-Nun A63H 33/086
446/112
D652,087 S * 1/2012 Dawes D21/489
8,905,812 B2 * 12/2014 Pai-Chen A63H 33/086
446/122

(Continued)

OTHER PUBLICATIONS

“Early Learning”, (LEGO Education), Catalog [Online], 2011. [Recovered Nov. 12, 2017]. Recovered from <ftp://ftp.robotec.co.il/Robotec_Resources/catalog/LEGO_education_early_2011.pdf> p. 12.

Primary Examiner — Cynthia M. Chin

(74) *Attorney, Agent, or Firm* — Berenato & White, LLC

(57) **CLAIM**

The ornamental design for a toy building brick, as shown and described.

DESCRIPTION

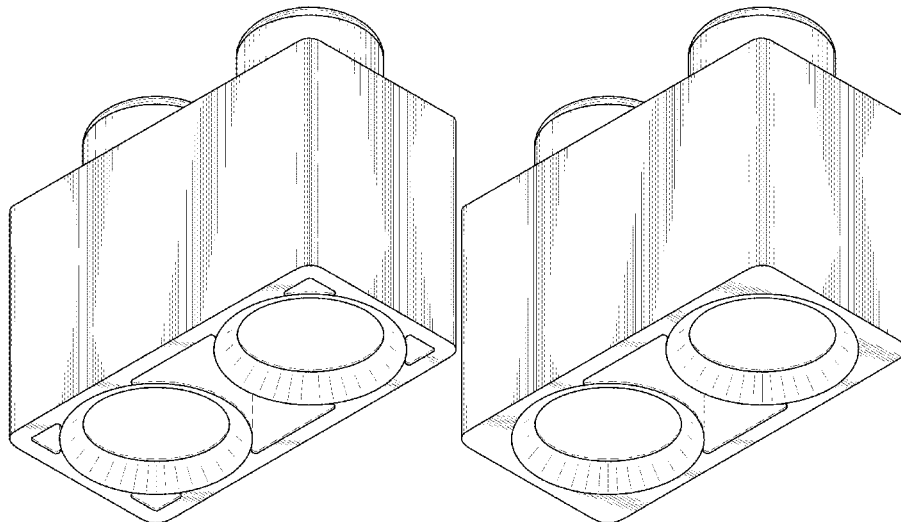
FIG. 1 is a lower perspective view of a toy building brick, showing my new design in a first embodiment; FIG. 2 is a right side view of the embodiment of FIG. 1; FIG. 3 is a left side view of the embodiment of FIG. 1; FIG. 4 is a front side view of the embodiment of FIG. 1; FIG. 5 is a rear side view of the embodiment of FIG. 1; FIG. 6 is a top view of the embodiment of FIG. 1; FIG. 7 is a bottom view of the embodiment of FIG. 1; FIG. 8 is a lower perspective view of a toy building brick, showing my new design in a second embodiment; FIG. 9 is a right side view of the embodiment of FIG. 8; FIG. 10 is a left side view of the embodiment of FIG. 8; FIG. 11 is a front side view of the embodiment of FIG. 8; FIG. 12 is a rear side view of the embodiment of FIG. 8; FIG. 13 is a top view of the embodiment of FIG. 8; and, FIG. 14 is a bottom view of the embodiment of FIG. 8. The broken lines immediately adjacent the shaded areas represent the bounds of the claim which form no part of the claimed design.

- (30) **Foreign Application Priority Data**
Nov. 13, 2018 (MX) MX/f/2018/003389
- (51) **LOC (12) Cl.** **21-01**
- (52) **U.S. Cl.**
USPC **D21/500**
- (58) **Field of Classification Search**
USPC D21/468, 470, 471, 478, 479, 484–505;
D25/113, 114, 115, 118
CPC A63H 33/04; A63H 33/044; A63H 33/06;
A63H 33/062; A63H 33/10; A63H
33/101; A63H 33/108
See application file for complete search history.

(56) **References Cited**
U.S. PATENT DOCUMENTS

3,005,282 A	10/1961	Christiansen	
D366,914 S *	2/1996	Frederiksen	D21/500
5,848,927 A *	12/1998	Frederiksen	A63H 33/086 446/128
5,895,306 A	4/1999	Cunningham	
6,050,873 A	4/2000	Reisman	
D445,148 S *	7/2001	McIntosh	D21/500
6,571,525 B2 *	6/2003	Coleman	E04B 2/08 446/125

1 Claim, 12 Drawing Sheets



(56)

References Cited

U.S. PATENT DOCUMENTS

9,539,519	B2 *	1/2017	Vollers	B65D 81/361
D818,056	S *	5/2018	Lo	D21/499
10,682,581	B2 *	6/2020	Bach	A63H 33/062
2011/0045733	A1	2/2011	Saigo et al.	
2013/0252504	A1 *	9/2013	Chang	A63H 33/086 446/124
2014/0227937	A1 *	8/2014	Pai-Chen	A63H 33/107 446/122
2015/0367245	A1	12/2015	Ahn et al.	

* cited by examiner

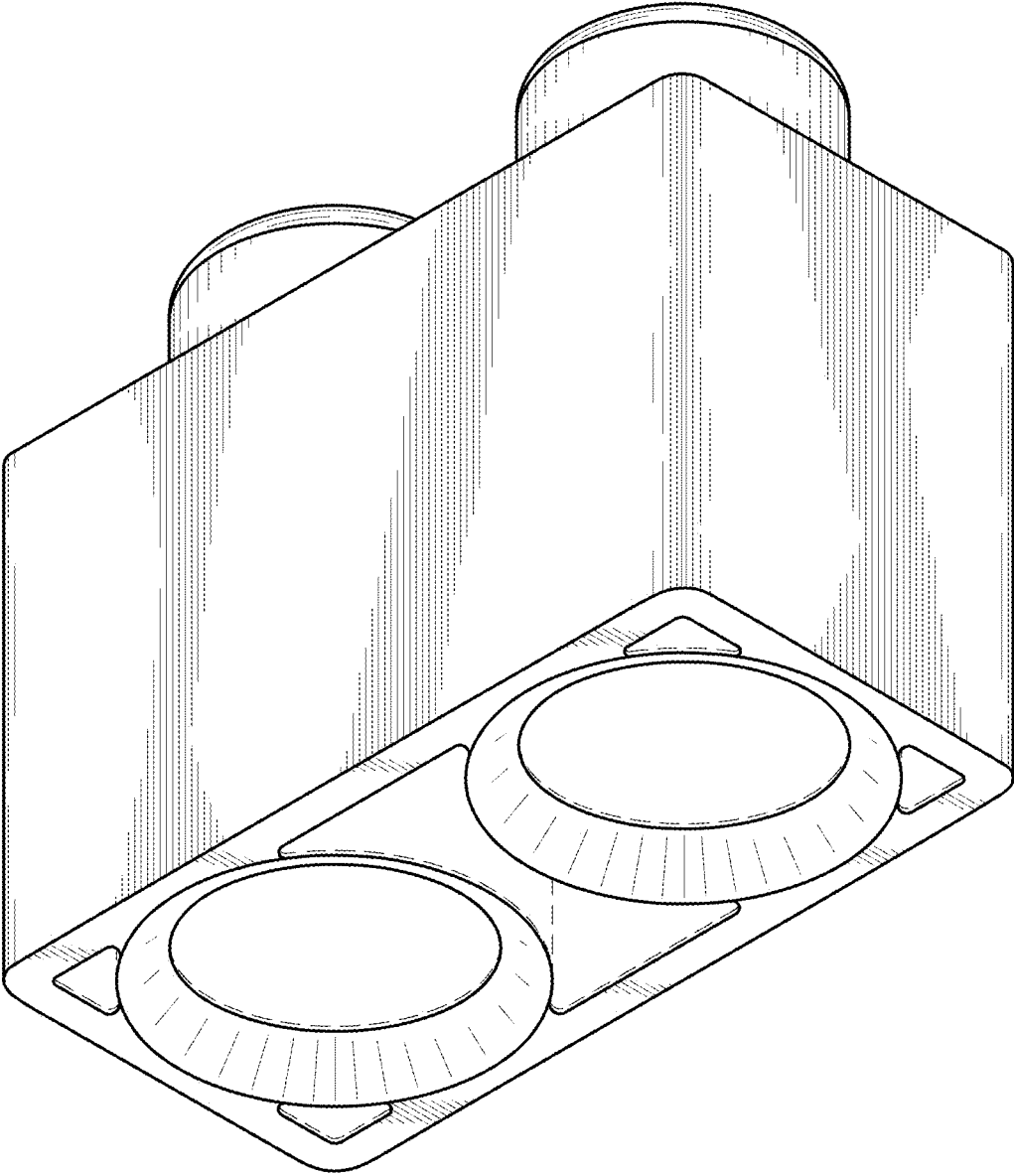


FIG. 1

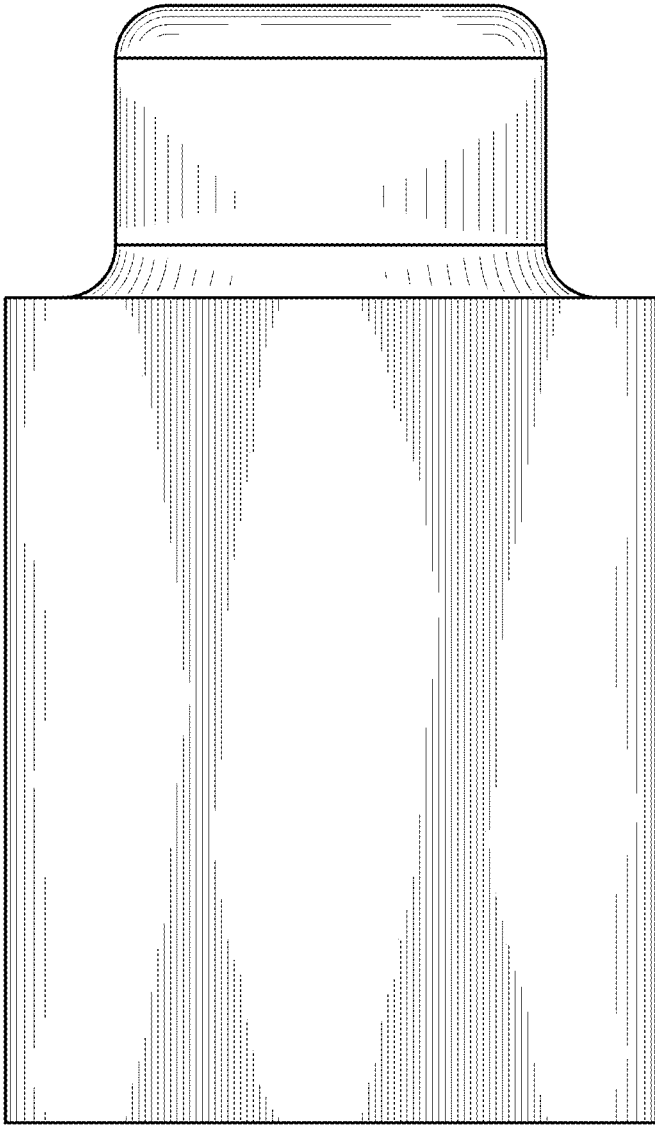


FIG. 2

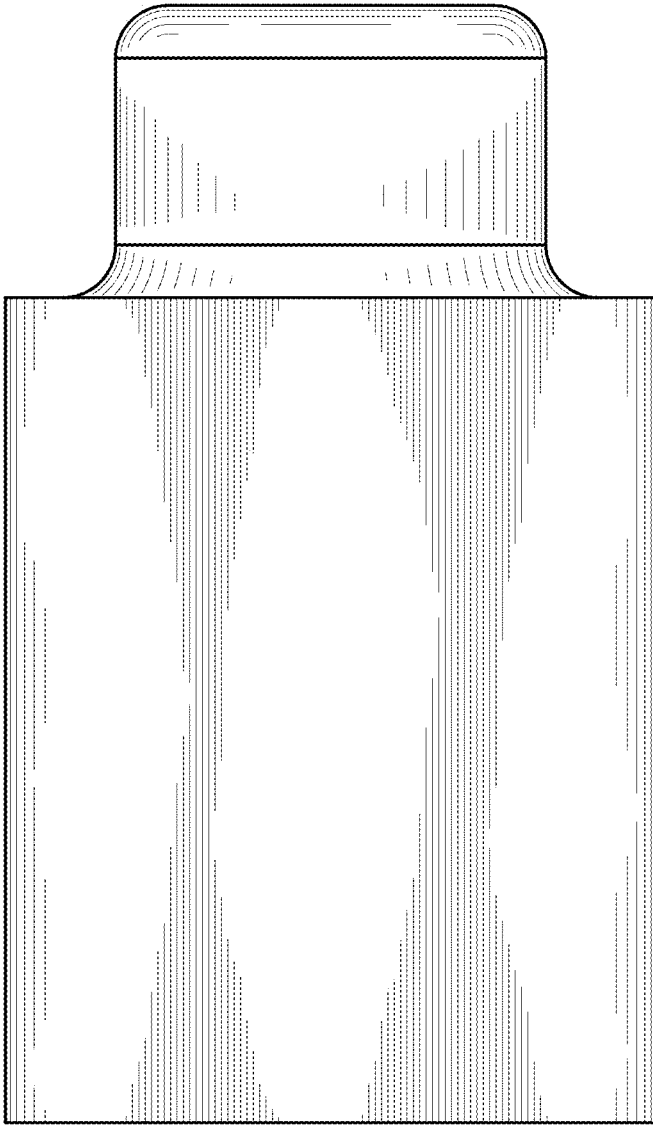


FIG. 3

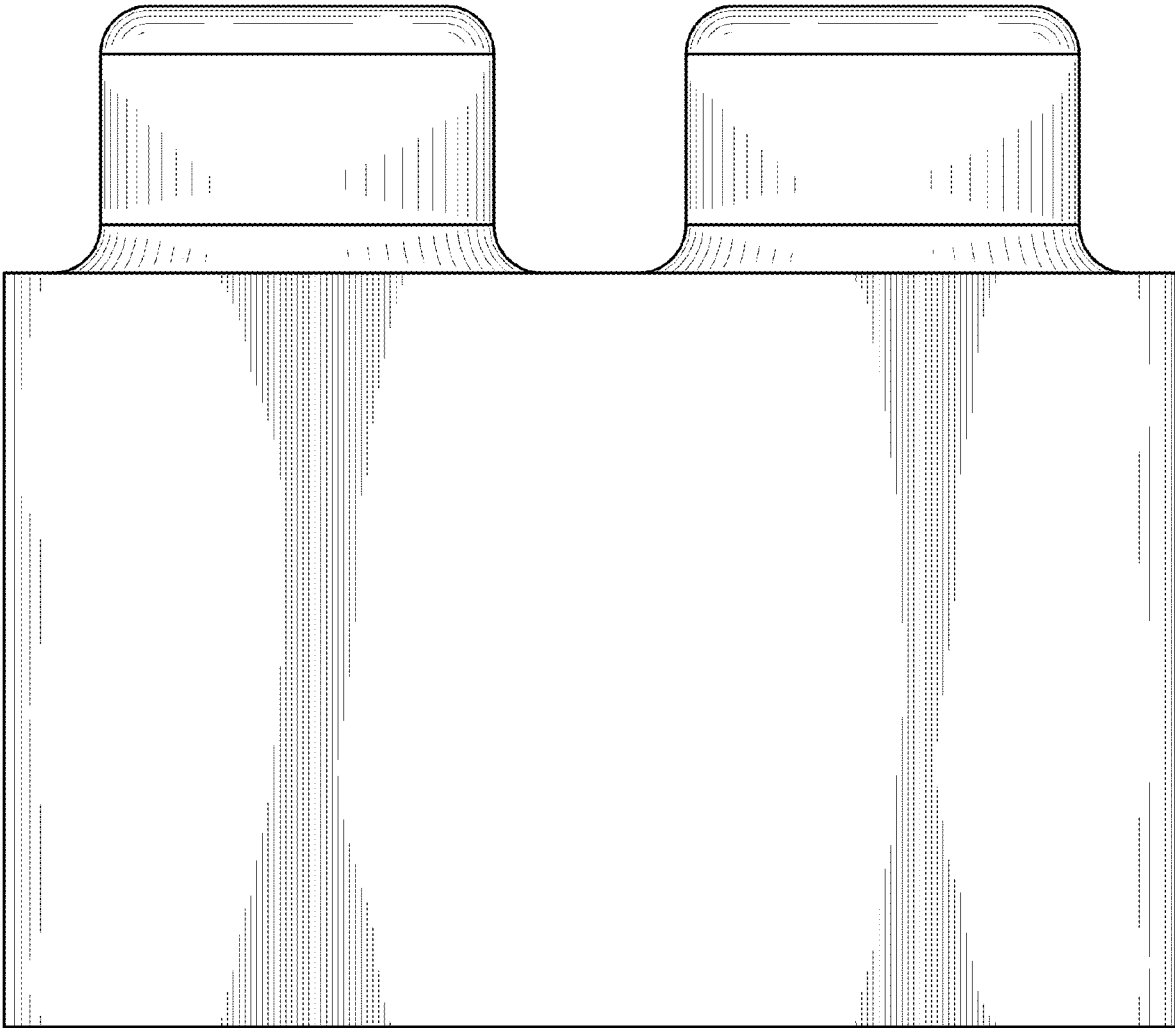


FIG. 4

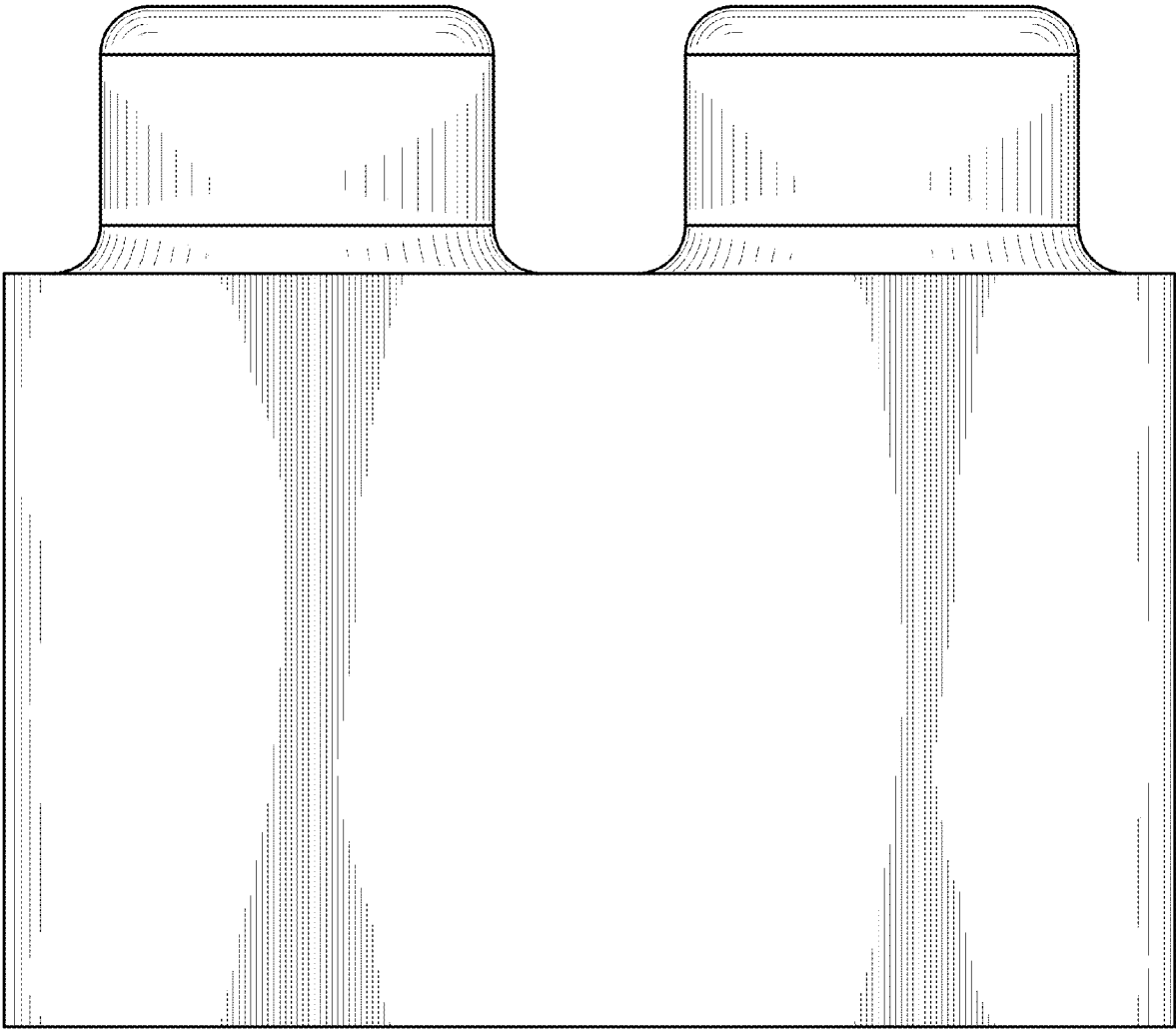


FIG. 5

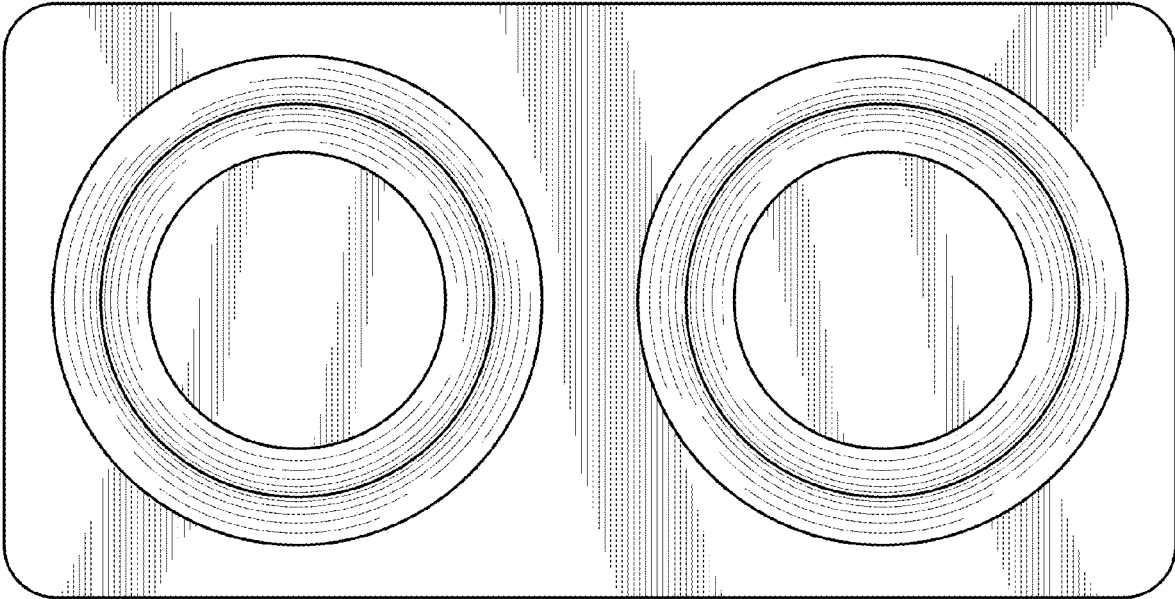


FIG. 6

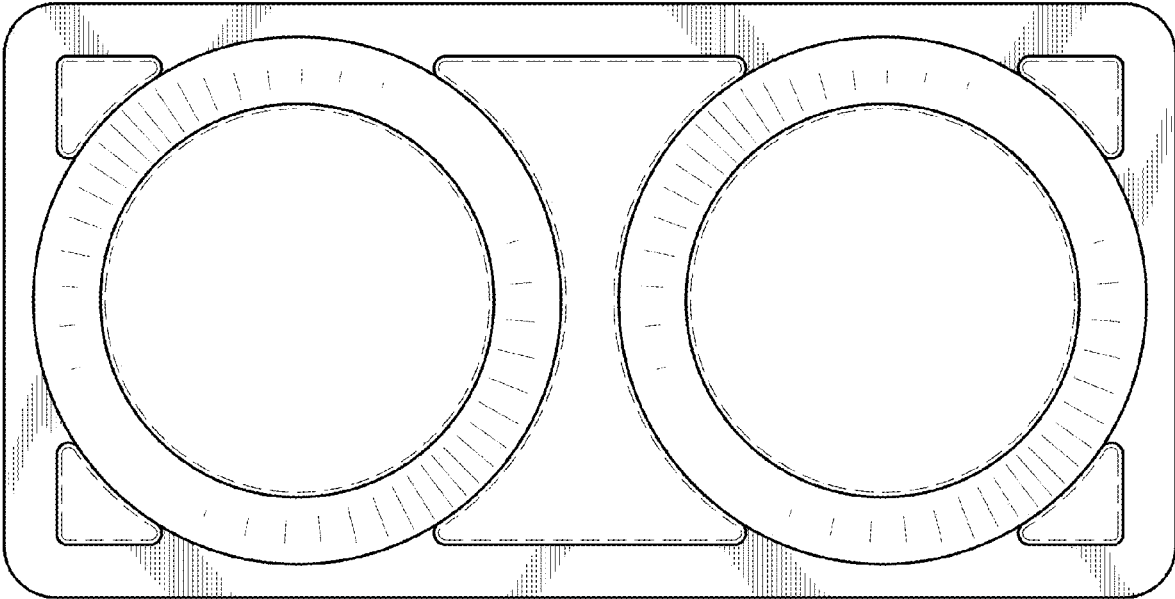


FIG. 7

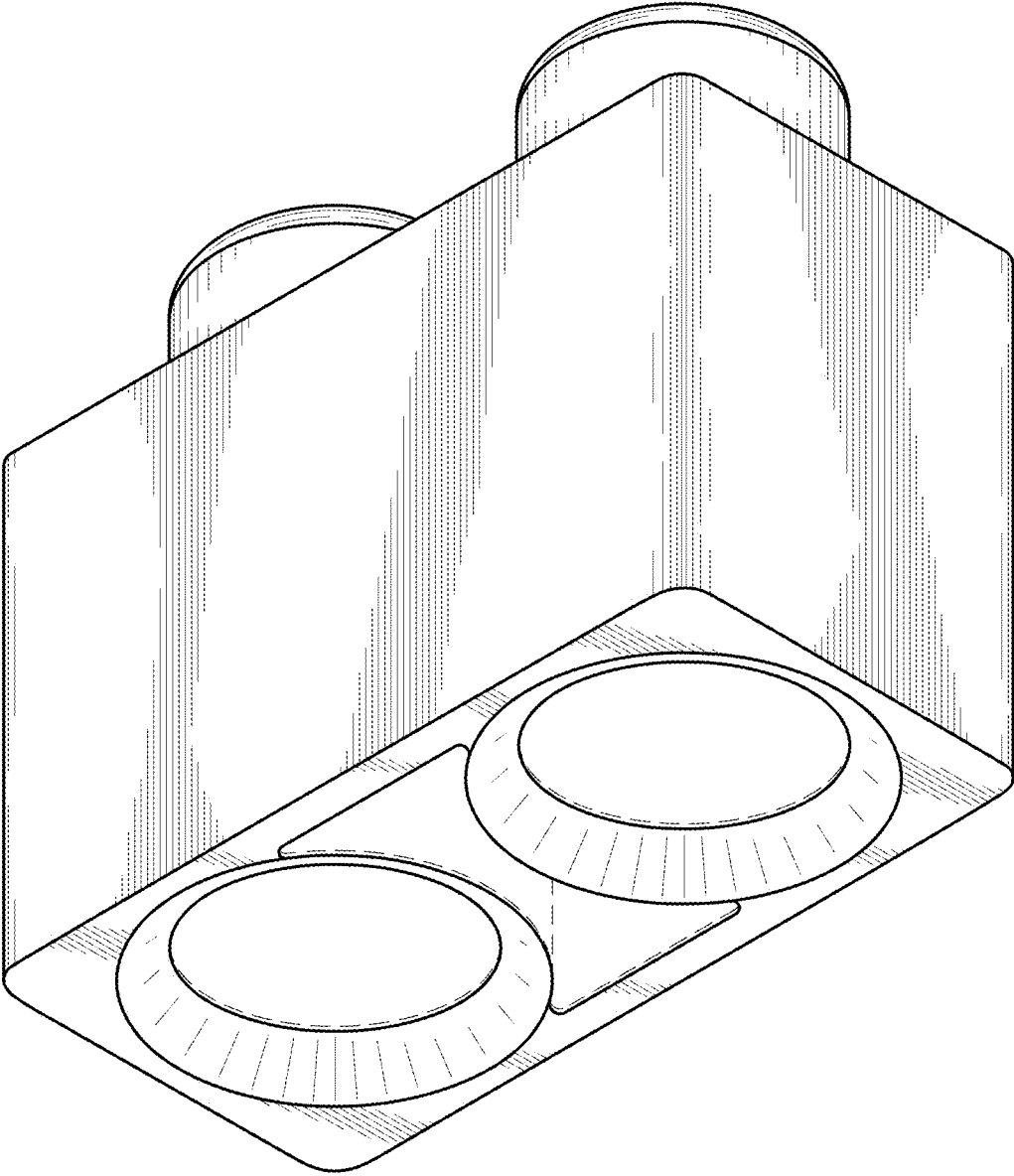


FIG. 8

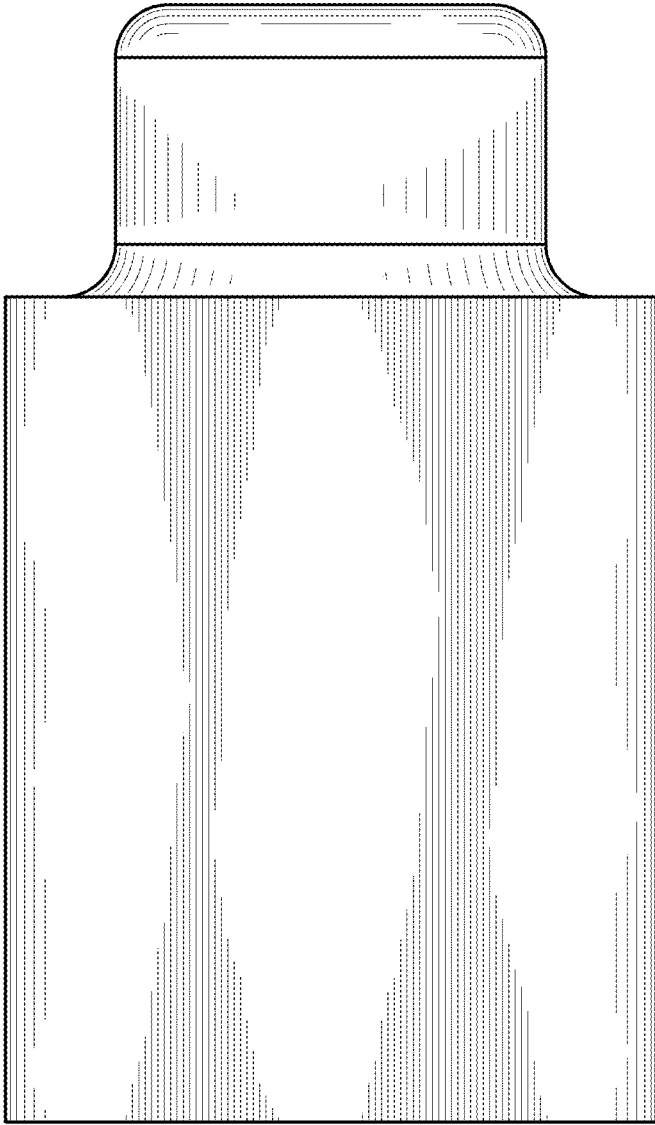


FIG. 9

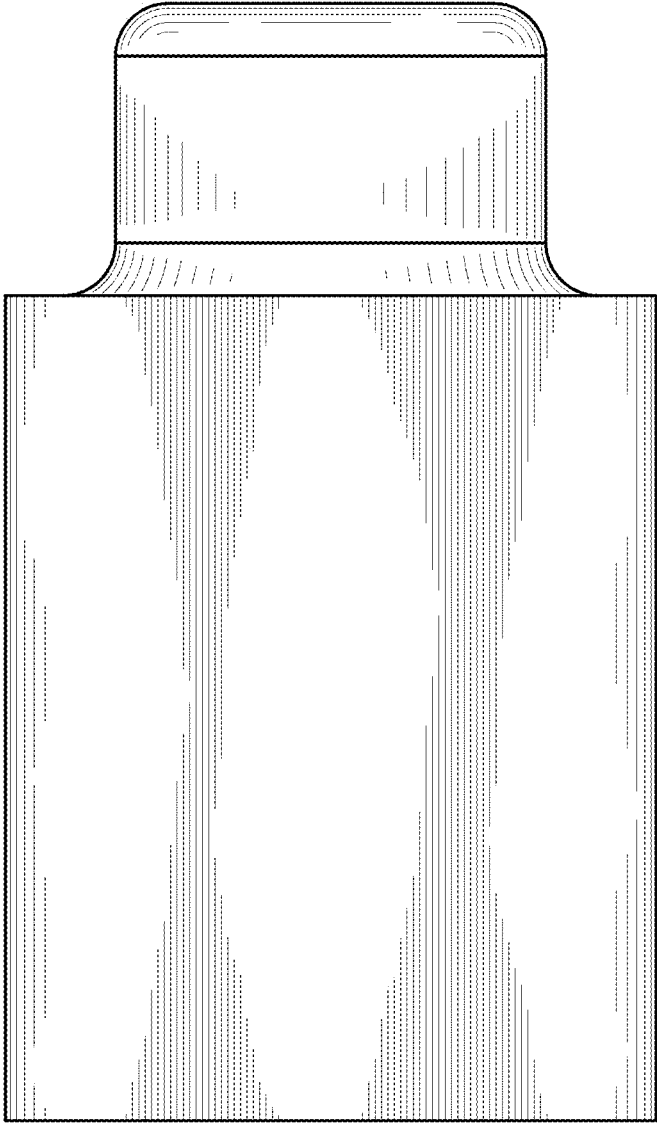


FIG. 10

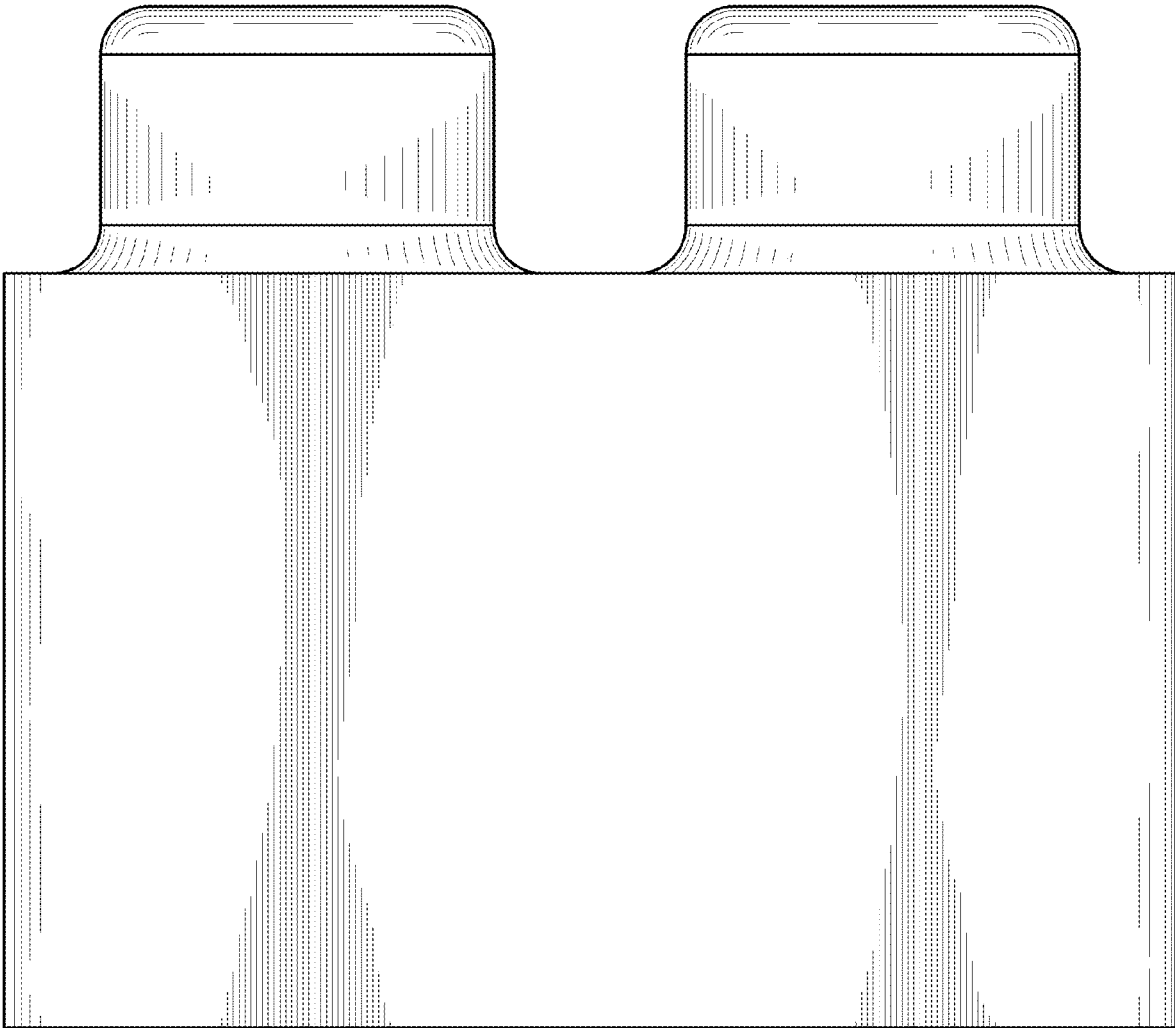


FIG. 11

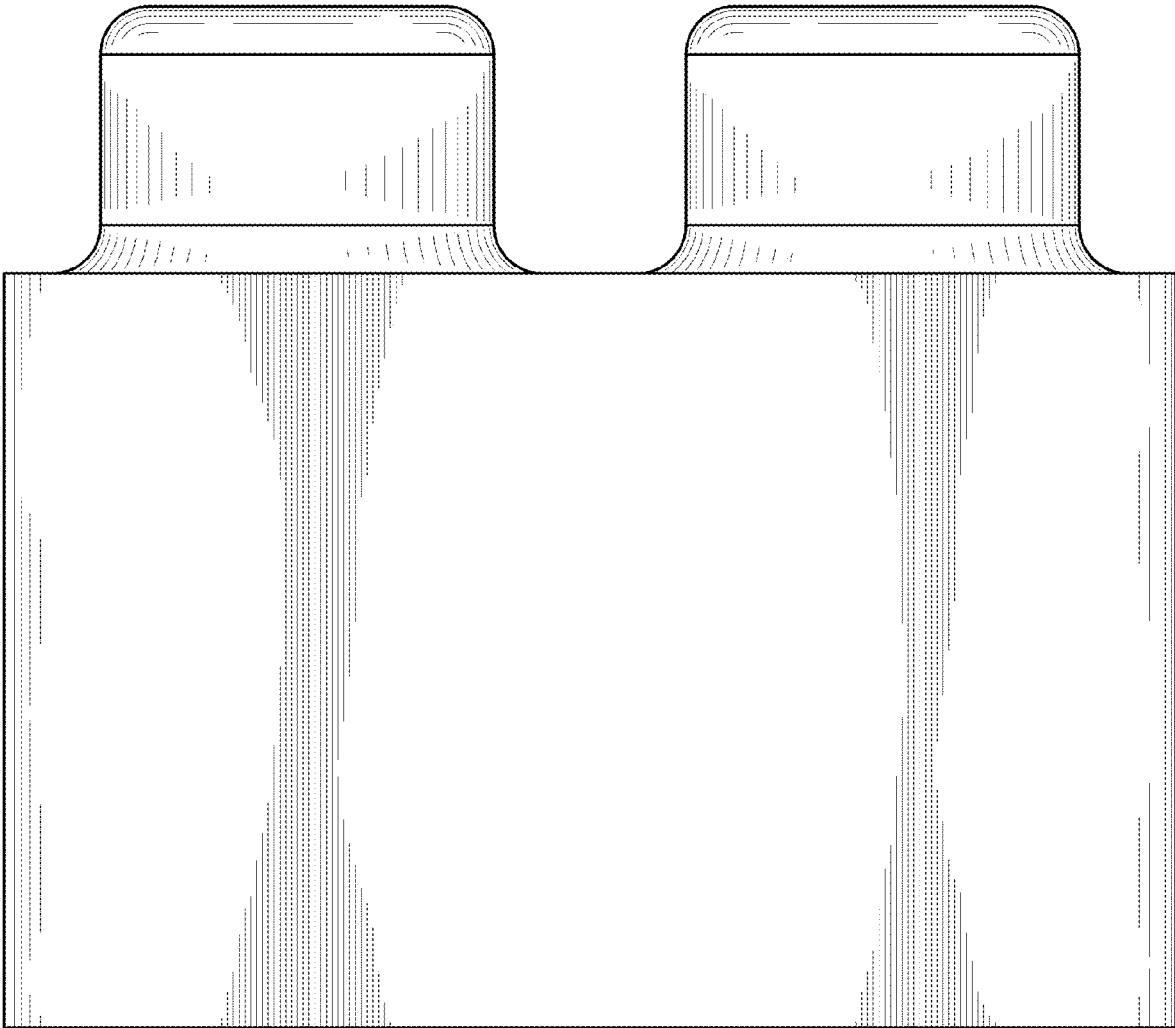


FIG. 12

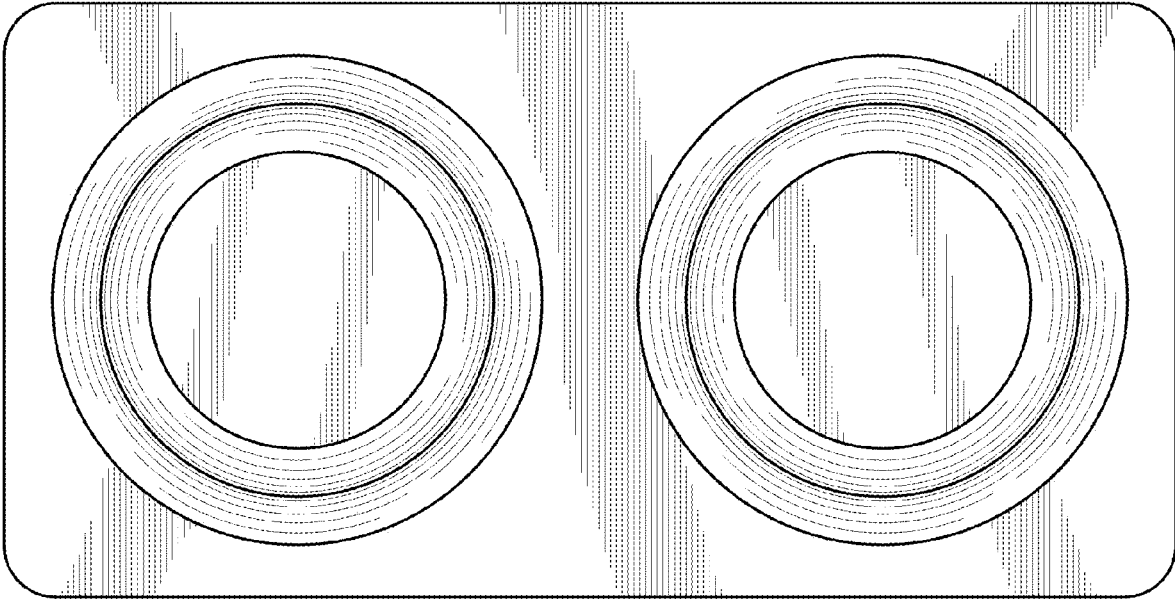


FIG. 13

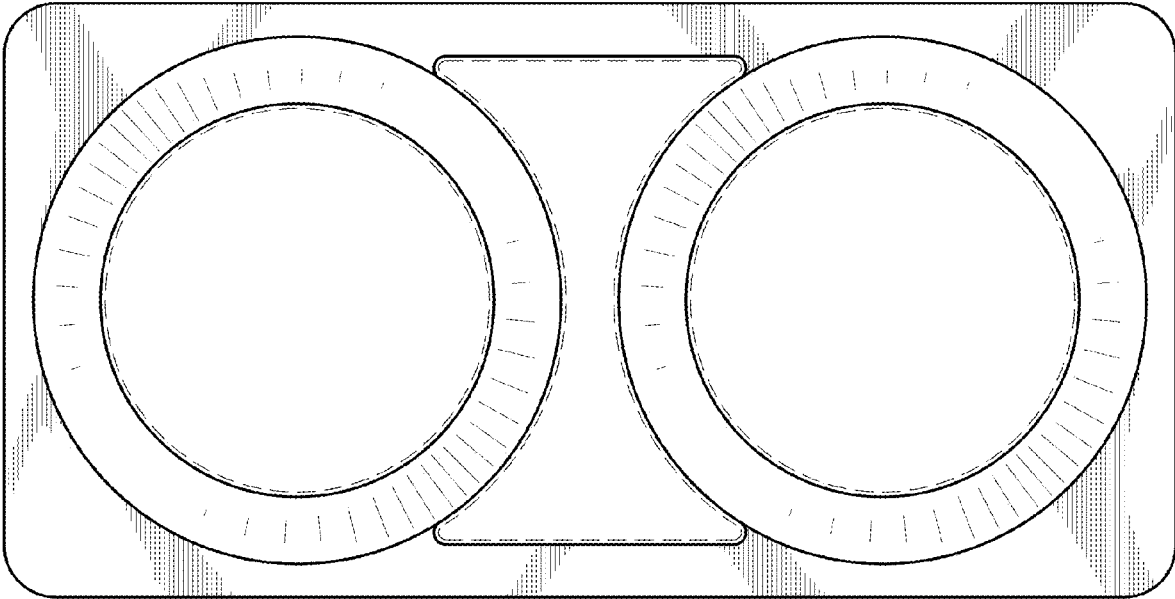


FIG. 14