



US00D899571S

(12) **United States Design Patent**
Li

(10) **Patent No.:** **US D899,571 S**

(45) **Date of Patent:** **** Oct. 20, 2020**

- (54) **DEHUMIDIFIER**
- (71) Applicant: **Shenzhen City Yiren Alliance Trading Co., LTD, Shenzhen (CN)**
- (72) Inventor: **Wei Li, Shenzhen (CN)**
- (73) Assignee: **Shenzhen City Yiren Alliance Trading Co., LTD, Shenzhen (CN)**

D808,928 S *	1/2018	Schaal	D14/216
D809,500 S	2/2018	Anderson	
D814,618 S	4/2018	Cartwright et al.	
D818,097 S *	5/2018	Cho	D23/364
D836,606 S *	12/2018	Kangasmaa	D14/216
D845,456 S	4/2019	Swanson et al.	
D870,873 S *	12/2019	Chen	D23/356

(**) Term: **15 Years**

FOREIGN PATENT DOCUMENTS

CN 305587651 * 2/2020

(21) Appl. No.: **29/719,519**

OTHER PUBLICATIONS

Hauture Electric Mini Dehumidifier; Amazon Earliest Review date: Jul. 23, 2019; Visited Online Mar. 24, 2020; https://www.amazon.com/HAUTURE-Electric-Dehumidifier-1500Cubic-Portable/dp/B081B7TJ8C/ref=cm_cr_ar_p_d_pdt_img_top?ie=UTF8 (Year: 2019).*

(22) Filed: **Jan. 6, 2020**

(51) **LOC (12) CL.** **23-04**

(52) **U.S. CL.**
USPC **D23/359**

(58) **Field of Classification Search**
USPC D23/355-356, 259, 268, 332-333, D23/335-336, 342, 351-352, 354, D23/357-366, 369; 422/120, 122; 55/356, 473, 504; 261/DIG. 17, DIG. 31, 261/DIG. 65, DIG. 88
CPC B01D 2221/02; B01D 2259/4508
See application file for complete search history.

* cited by examiner

Primary Examiner — Amy C Wierenga
(74) *Attorney, Agent, or Firm* — ScienBiziP, P.C.

(57) **CLAIM**

The ornamental design for a dehumidifier, as shown and described.

DESCRIPTION

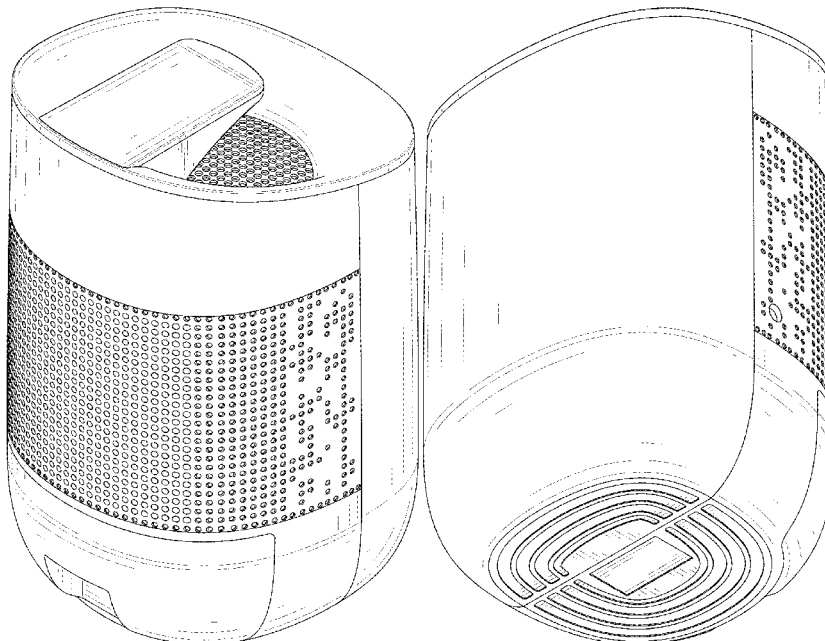
(56) **References Cited**

U.S. PATENT DOCUMENTS

D402,021 S *	12/1998	Allen	D23/356
D493,874 S *	8/2004	Woods	D23/364
D574,363 S *	8/2008	Laituri	D14/168
D675,190 S *	1/2013	Nylen	D14/215
D725,077 S	3/2015	Wong	
D729,919 S *	5/2015	Yeom	D23/359
D735,845 S *	8/2015	Huang	D23/359
D786,415 S *	5/2017	Kim	D23/359
D804,002 S *	11/2017	Huang	D23/364

FIG. 1 is a top, front, right side perspective view of a dehumidifier, showing my design.
FIG. 2 is a bottom, rear, left side perspective view thereof.
FIG. 3 is a front elevation view thereof.
FIG. 4 is a rear elevation view thereof.
FIG. 5 is a left side elevation view thereof.
FIG. 6 is a right side elevation view thereof.
FIG. 7 is a top plan view thereof; and,
FIG. 8 is a bottom plan view thereof.

1 Claim, 8 Drawing Sheets



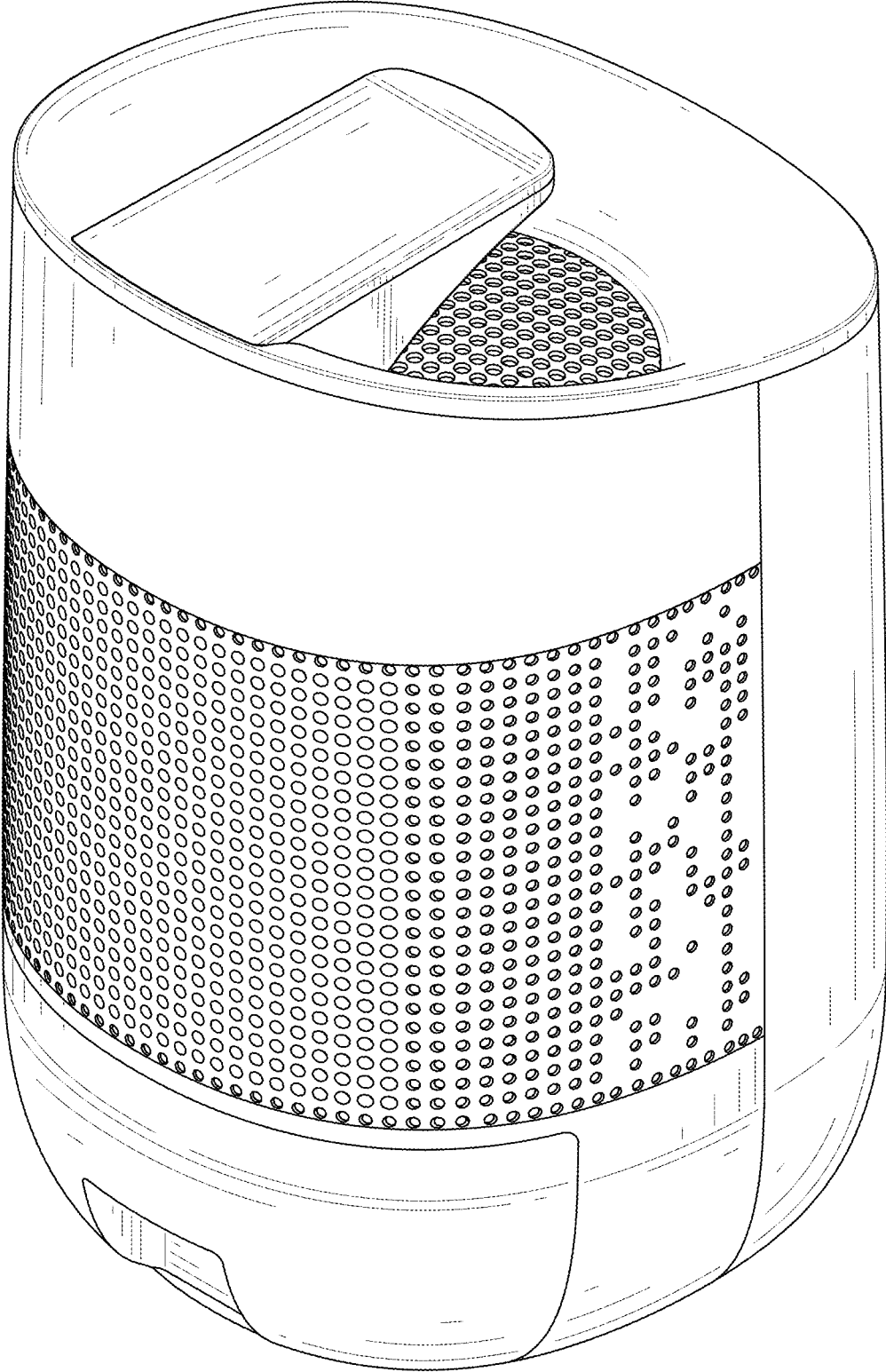


FIG. 1

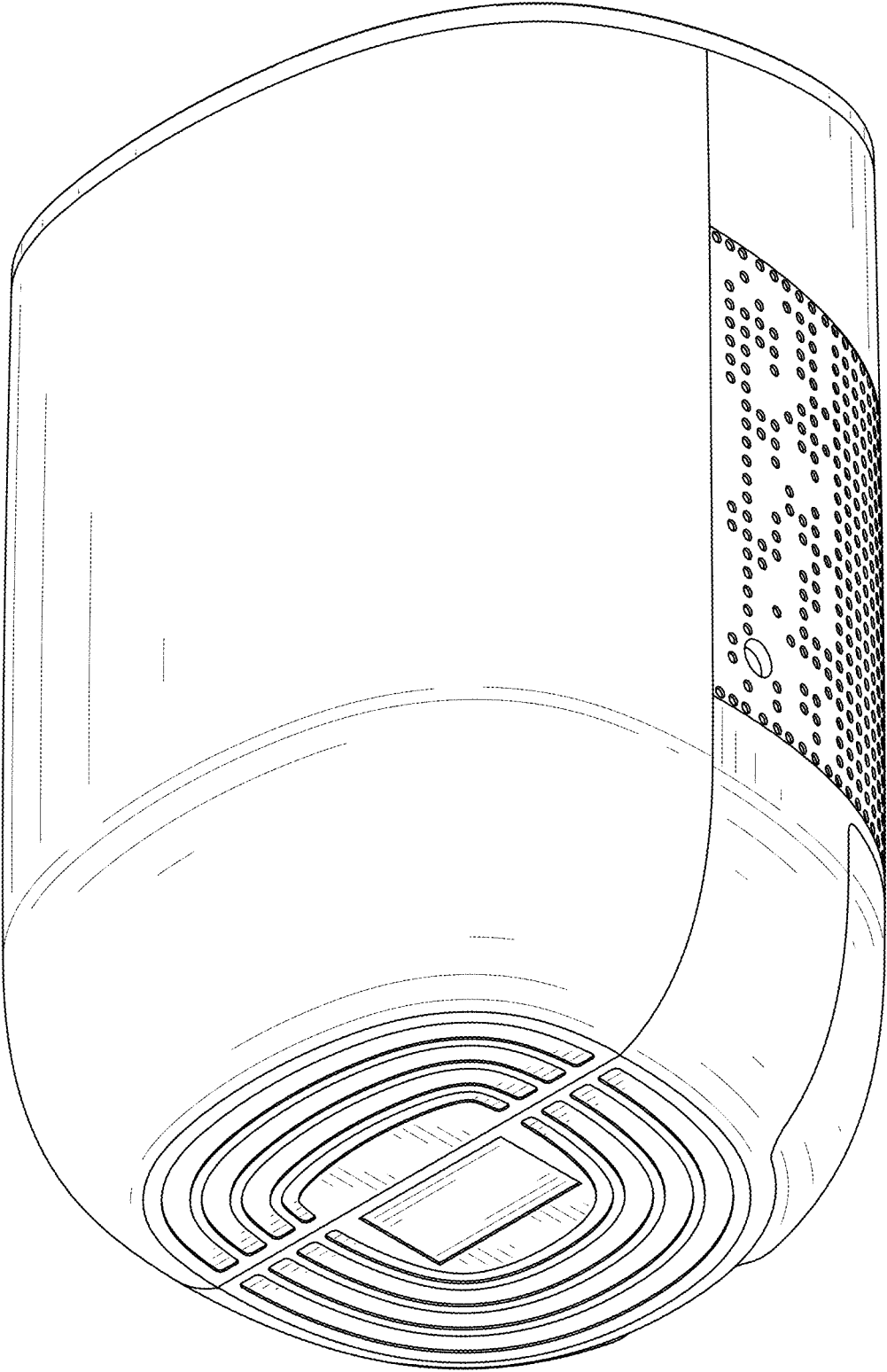


FIG. 2

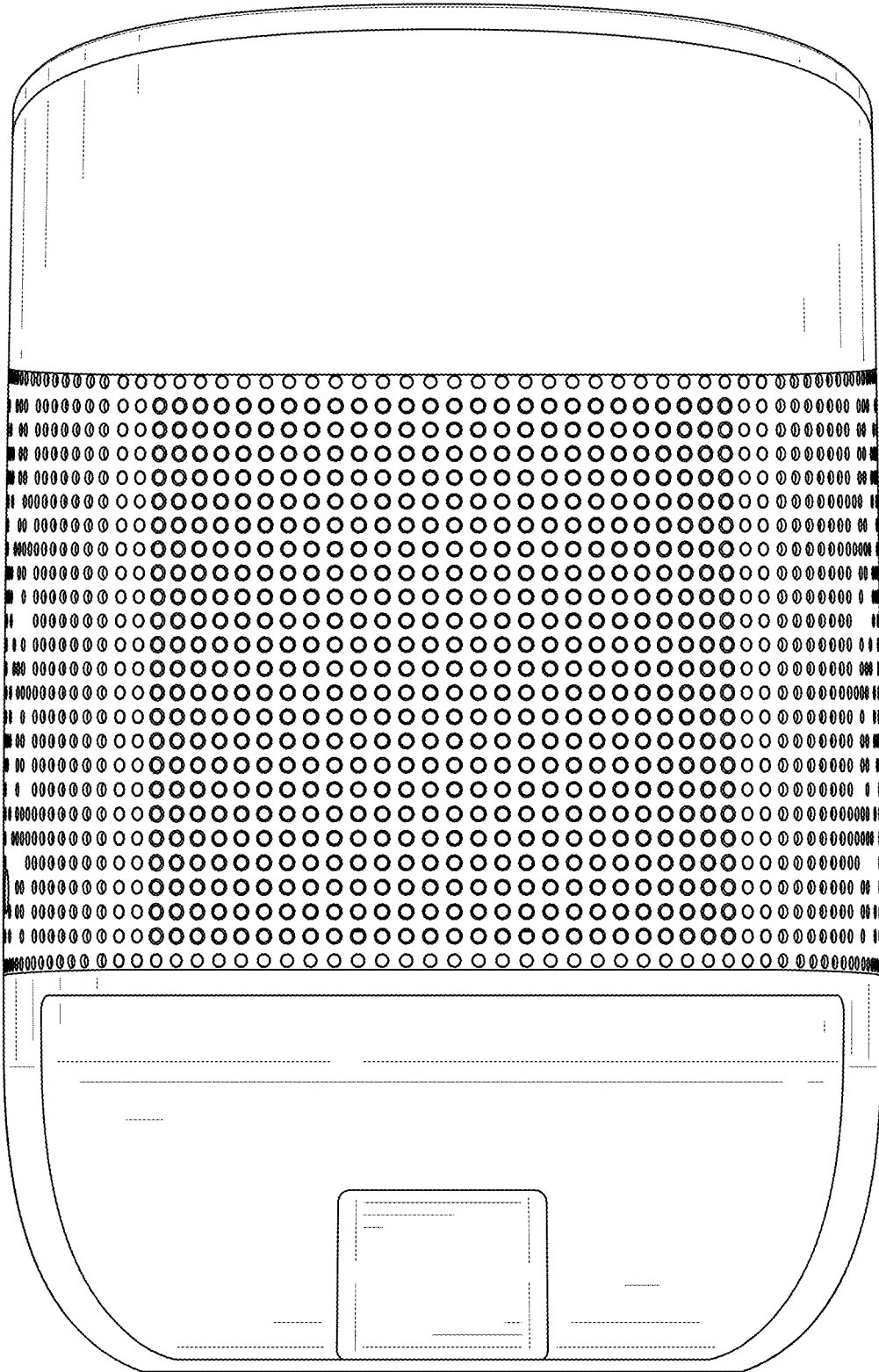


FIG. 3

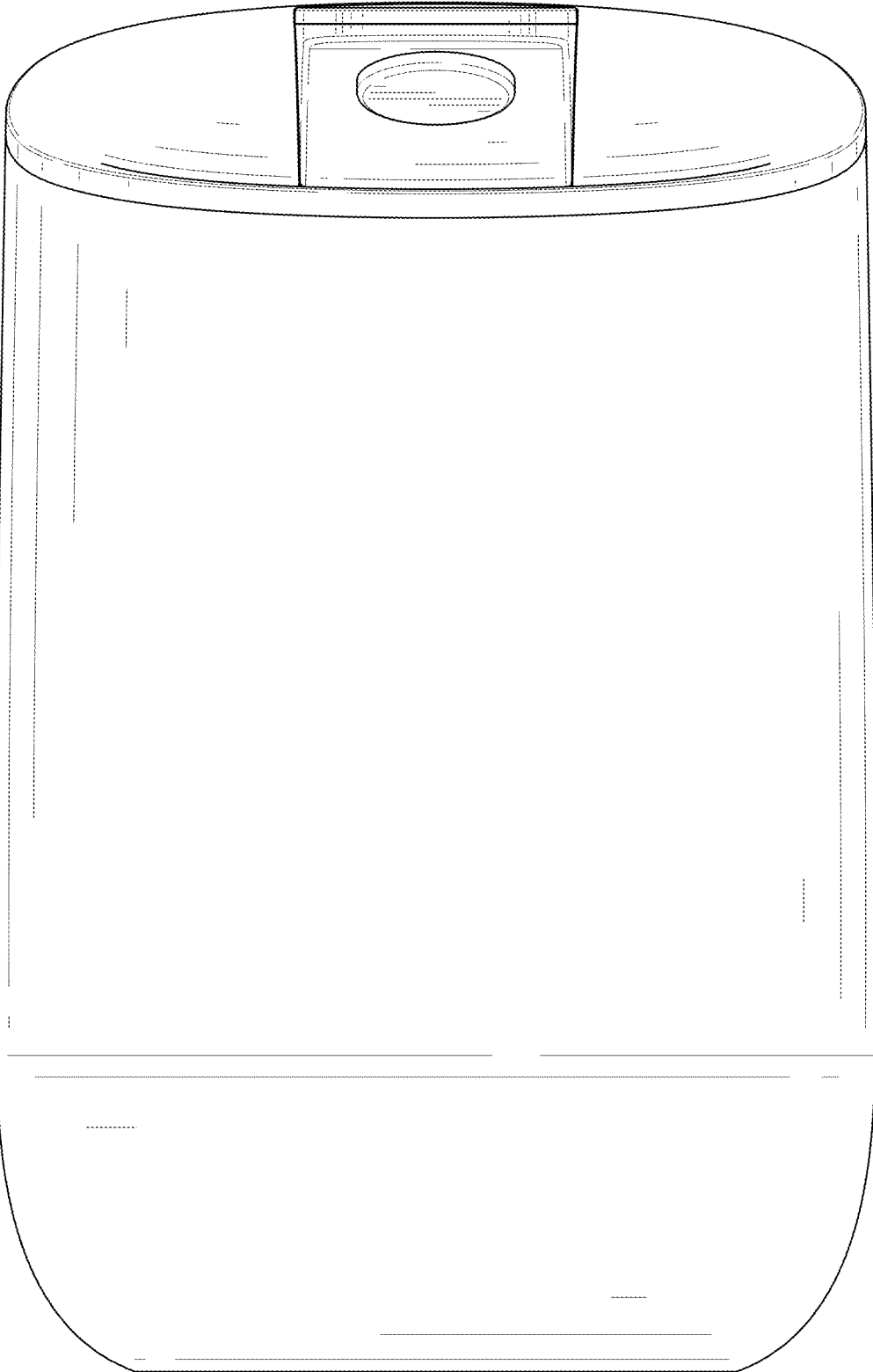


FIG. 4

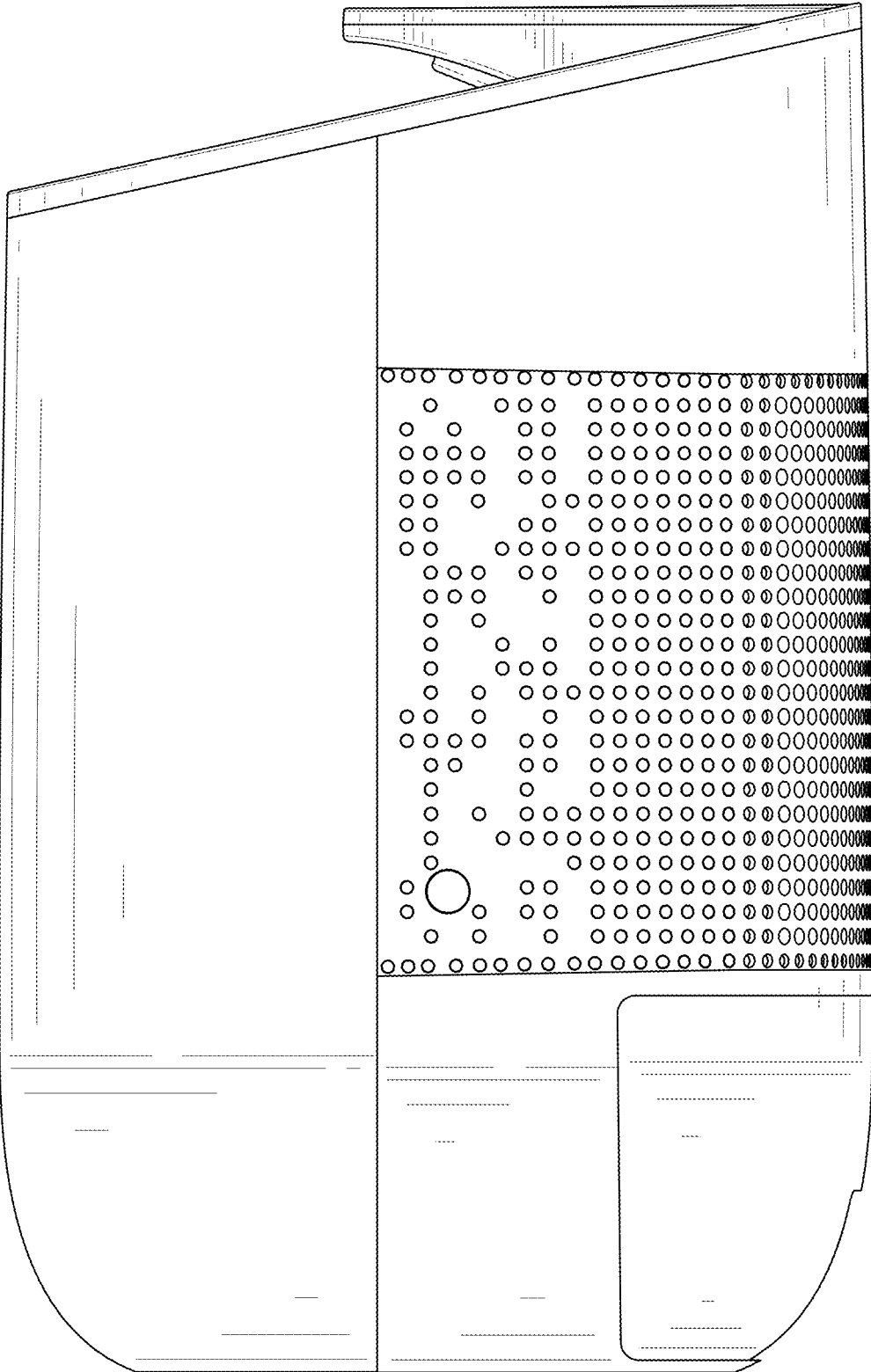


FIG. 5

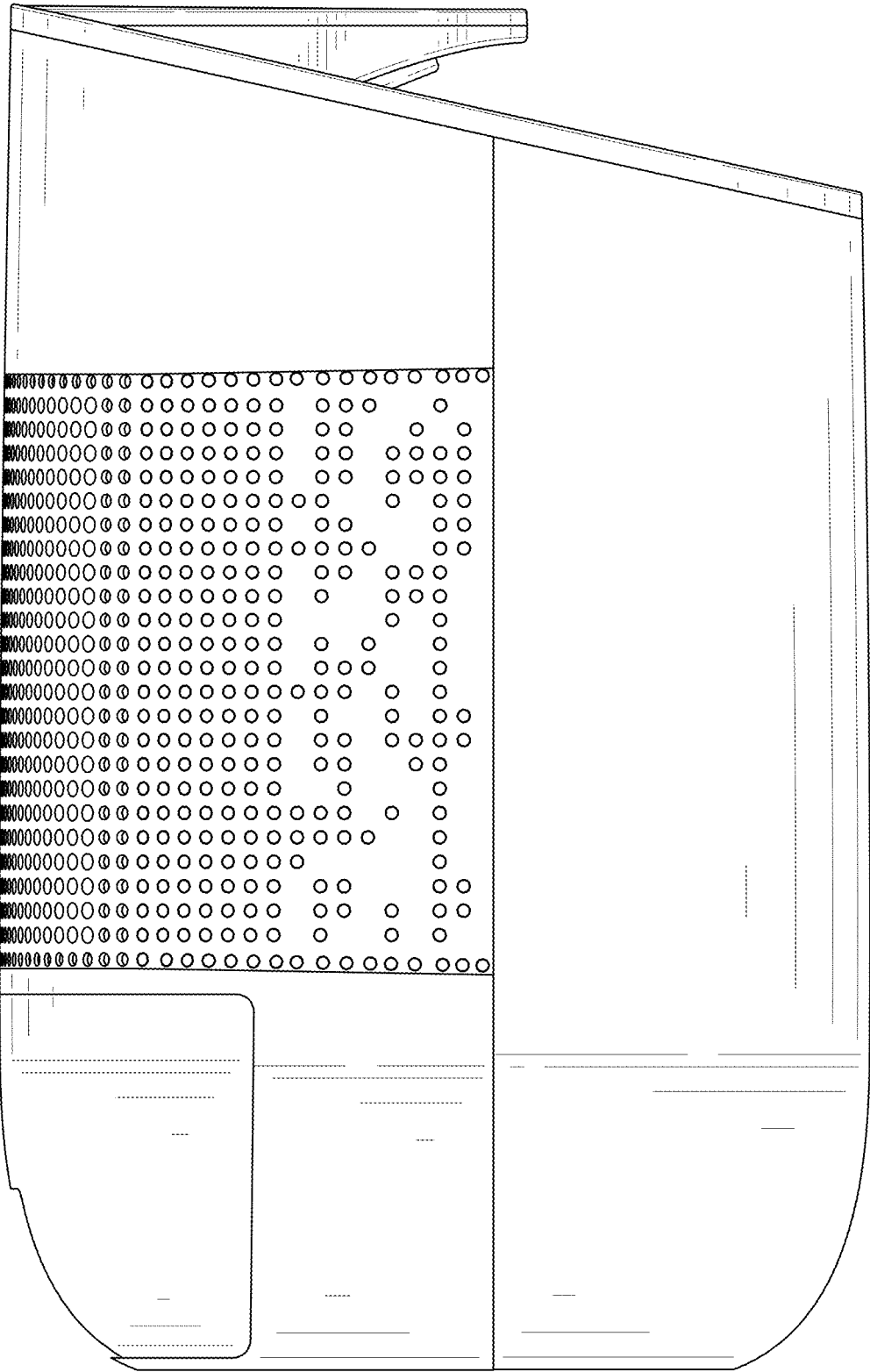


FIG. 6

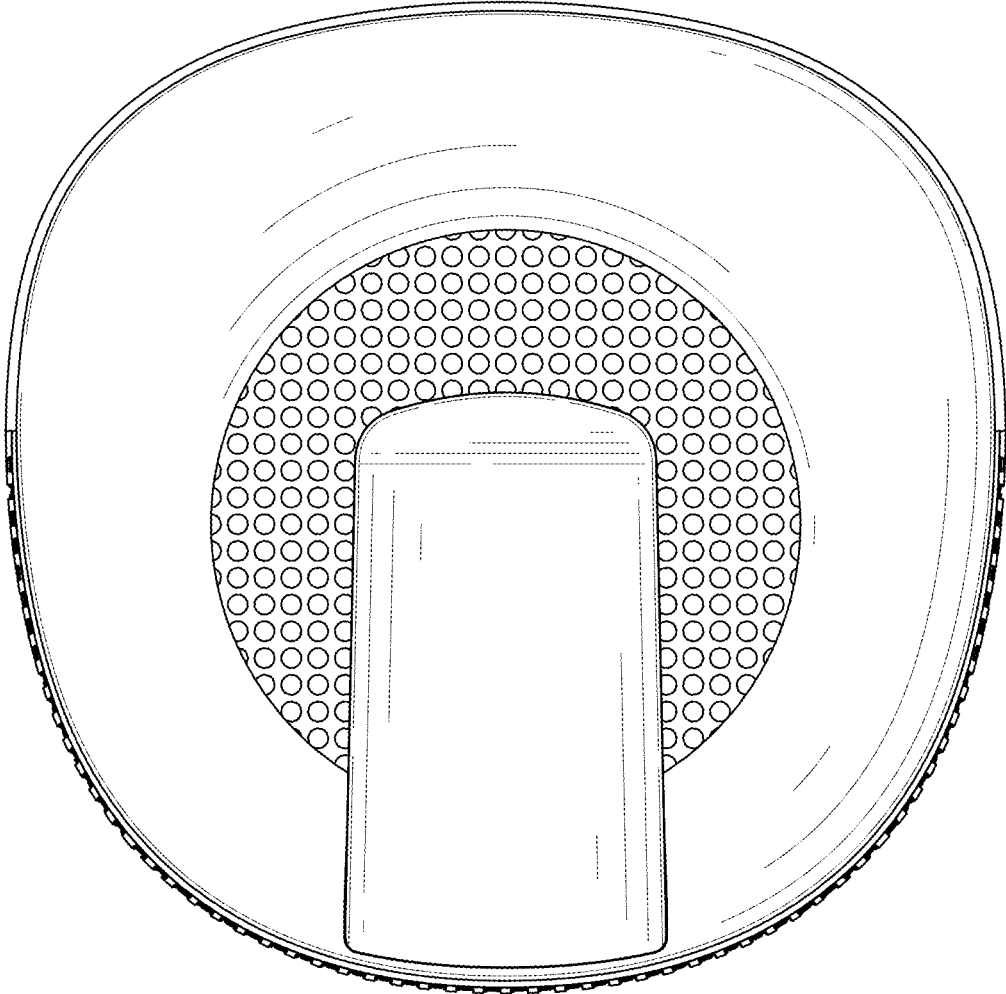


FIG. 7

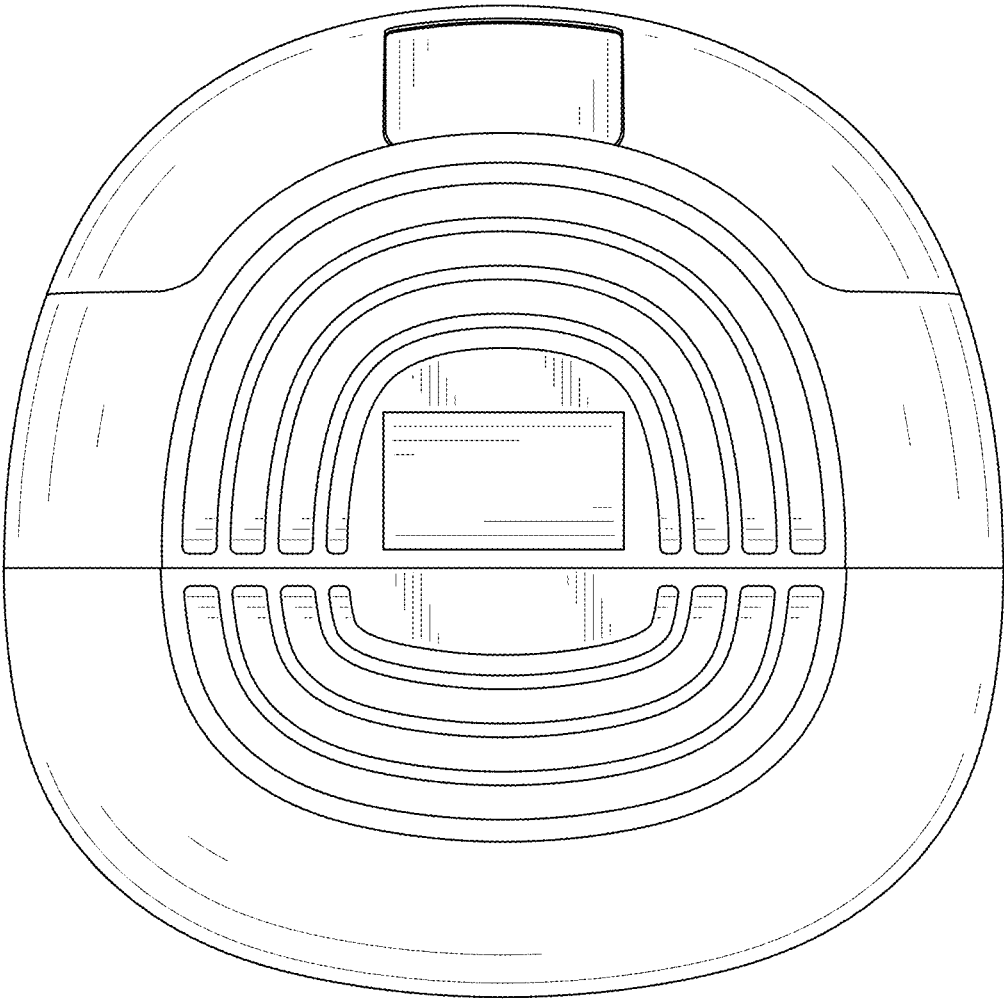


FIG. 8