



US00D617286S

(12) **United States Design Patent**
Montena

(10) **Patent No.:** **US D617,286 S**

(45) **Date of Patent:** **** Jun. 8, 2010**

(54) **COMPRESSION TYPE CONNECTOR**

(75) Inventor: **Noah P. Montena**, Syracuse, NY (US)

(73) Assignee: **John Mezzalingua Associates, Inc., E.**
Syracuse, NY (US)

(**) Term: **14 Years**

(21) Appl. No.: **29/343,174**

(22) Filed: **Sep. 9, 2009**

(51) **LOC (9) Cl.** **13-03**

(52) **U.S. Cl.** **D13/154**

(58) **Field of Classification Search** D13/133,
D13/149, 151, 153, 154, 156, 199; 439/79,
439/248, 258, 274, 350, 352, 353, 358, 359,
439/362, 378, 445, 447, 578, 584, 585, 656,
439/660, 676, 677, 678, 679, 680, 681, 682,
439/686

See application file for complete search history.

(56) **References Cited**

U.S. PATENT DOCUMENTS

D475,977 S *	6/2003	Montena	D13/151
7,070,447 B1 *	7/2006	Montena	439/578
D556,693 S *	12/2007	Montena	D13/151
D578,073 S *	10/2008	Amidon	D13/151

D578,077 S *	10/2008	Amidon	D13/154
2005/0181652 A1 *	8/2005	Montena et al.	439/271
2006/0014426 A1 *	1/2006	Montena	439/578
2006/0172571 A1 *	8/2006	Montena	439/91
2008/0113554 A1 *	5/2008	Montena	439/585
2008/0207051 A1 *	8/2008	Montena	439/578

* cited by examiner

Primary Examiner—Daniel D Bui

Assistant Examiner—Thomas J Johannes

(74) *Attorney, Agent, or Firm*—Schmeiser, Olsen & Watts

(57) **CLAIM**

The ornamental design for a compression type connector, as shown and described.

DESCRIPTION

FIG. 1 is a front perspective view of a compression type connector showing my new design;

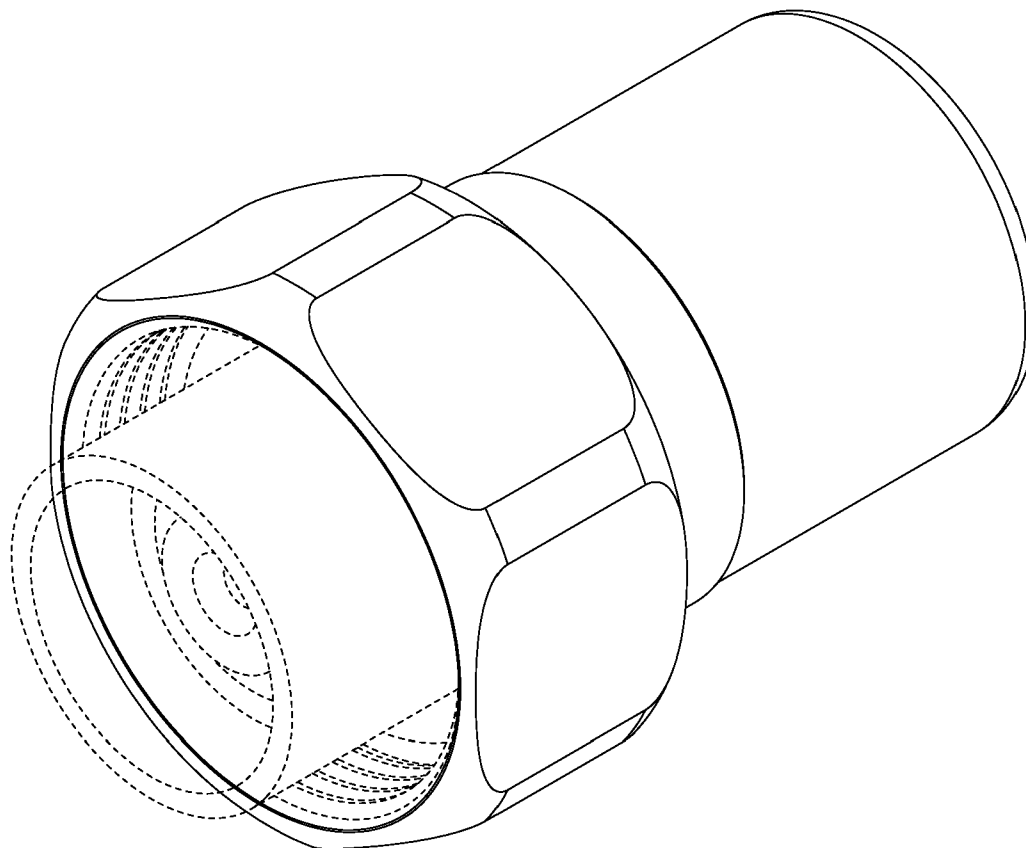
FIG. 2 is a top view thereof which is a mirror image to a bottom view;

FIG. 3 is a front view thereof; and,

FIG. 4 is a back view thereof.

The broken lines in the figures show unclaimed detail only and form no part of the claimed design.

1 Claim, 4 Drawing Sheets



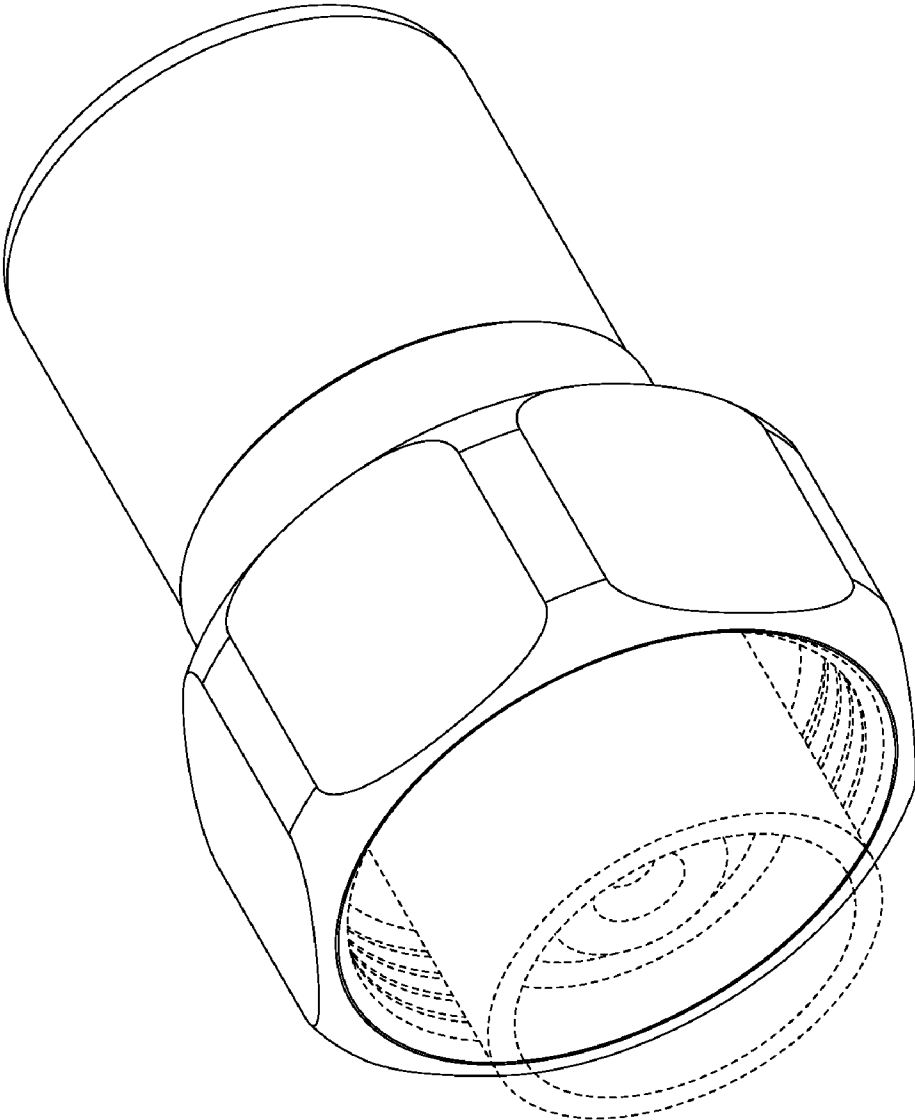


FIG. 1

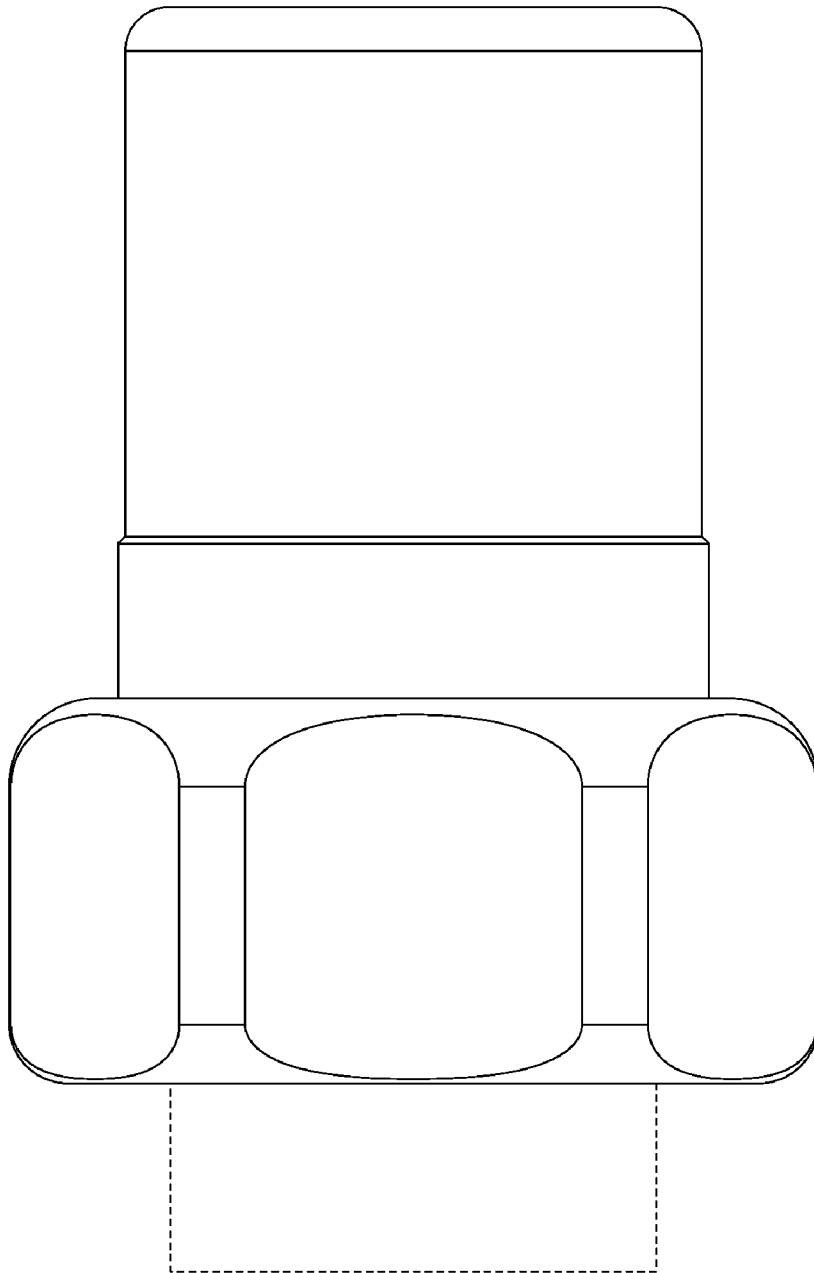


FIG. 2

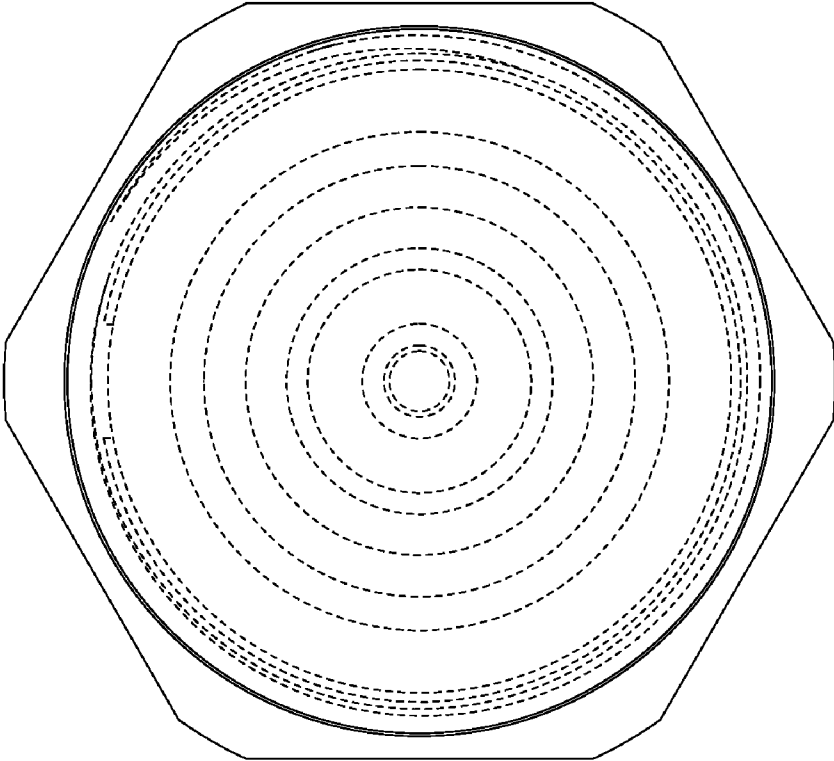


FIG. 3

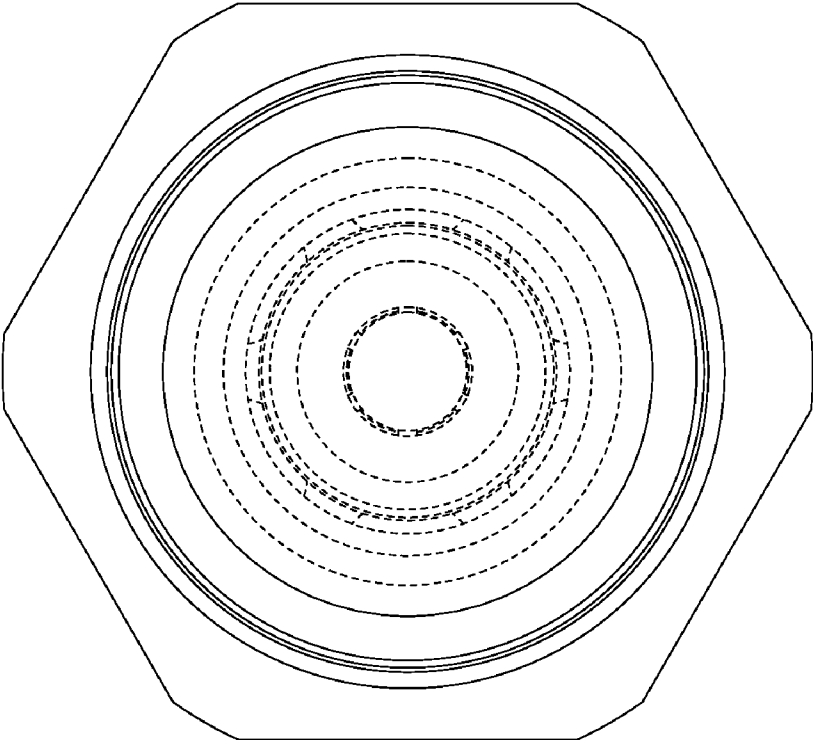


FIG. 4