

(19) World Intellectual Property Organization  
International Bureau



(43) International Publication Date  
3 December 2009 (03.12.2009)

PCT

(10) International Publication Number  
**WO 2009/146441 A1**

(51) International Patent Classification:  
A61F 13/00 (2006.01) A61M 1/00 (2006.01)

nio, TX 78260 (US). **LONG, Justin, Alexander**  
[US/US]; 6335 Mustang Point Dr., San Antonio, TX  
78240 (US).

(21) International Application Number:  
PCT/US2009/045743

(74) Agents: **WELCH, Gerald, T.** et al.; Sonnenschein, Nath  
& Rosenthal LLP, P.O. Box 061080, Wacker Drive Sta-  
tion, Sears Tower, Chicago, IL 60606 (US).

(22) International Filing Date:  
29 May 2009 (29.05.2009)

(25) Filing Language: English

(81) Designated States (unless otherwise indicated, for every  
kind of national protection available): AE, AG, AL, AM,  
AO, AT, AU, AZ, BA, BB, BG, BH, BR, BW, BY, BZ,  
CA, CH, CN, CO, CR, CU, CZ, DE, DK, DM, DO, DZ,  
EC, EE, EG, ES, FI, GB, GD, GE, GH, GM, GT, HN,  
HR, HU, ID, IL, IN, IS, JP, KE, KG, KM, KN, KP, KR,  
KZ, LA, LC, LK, LR, LS, LT, LU, LY, MA, MD, ME,  
MG, MK, MN, MW, MX, MY, MZ, NA, NG, NI, NO,  
NZ, OM, PG, PH, PL, PT, RO, RS, RU, SC, SD, SE, SG,  
SK, SL, SM, ST, SV, SY, TJ, TM, TN, TR, TT, TZ, UA,  
UG, US, UZ, VC, VN, ZA, ZM, ZW.

(26) Publication Language: English

(30) Priority Data:  
61/057,802 30 May 2008 (30.05.2008) US  
61/057,803 30 May 2008 (30.05.2008) US  
61/057,807 30 May 2008 (30.05.2008) US  
61/057,800 30 May 2008 (30.05.2008) US  
61/057,797 30 May 2008 (30.05.2008) US  
61/057,810 30 May 2008 (30.05.2008) US  
61/057,805 30 May 2008 (30.05.2008) US  
61/057,808 30 May 2008 (30.05.2008) US  
61/057,798 30 May 2008 (30.05.2008) US  
61/121,362 10 December 2008 (10.12.2008) US  
61/144,067 12 January 2009 (12.01.2009) US

(84) Designated States (unless otherwise indicated, for every  
kind of regional protection available): ARIPO (BW, GH,  
GM, KE, LS, MW, MZ, NA, SD, SL, SZ, TZ, UG, ZM,  
ZW), Eurasian (AM, AZ, BY, KG, KZ, MD, RU, TJ,  
TM), European (AT, BE, BG, CH, CY, CZ, DE, DK, EE,  
ES, FI, FR, GB, GR, HR, HU, IE, IS, IT, LT, LU, LV,  
MC, MK, MT, NL, NO, PL, PT, RO, SE, SI, SK, TR),  
OAPI (BF, BJ, CF, CG, CI, CM, GA, GN, GQ, GW, ML,  
MR, NE, SN, TD, TG).

(71) Applicant (for all designated States except US): **KCI LI-  
CENSING, INC.** [US/US]; Legal Department - Intellect-  
ual Property, P.O. Box 659508, San Antonio, TX  
78265-9508 (US).

(72) Inventors; and

Published:

(75) Inventors/Applicants (for US only): **RANDOLPH, Lar-  
ry, Tab** [US/US]; 27917 Bonn Mountain Dr., San Anto-

— with international search report (Art. 21(3))

(54) Title: SUPER-ABSORBENT, REDUCED-PRESSURE WOUND DRESSING AND SYSTEMS

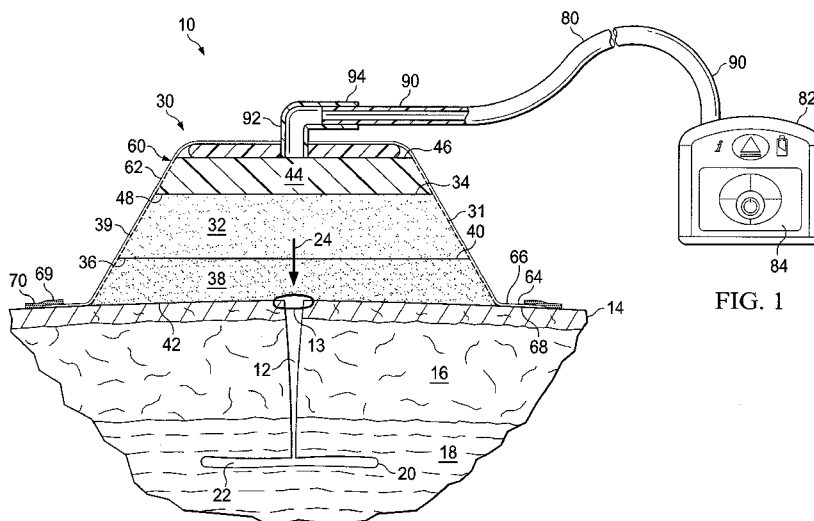


FIG. 1

(57) Abstract: A super-absorbent dressing assembly for use with a reduced-pressure wound treatment system includes a breathable, fluid restricted dry layer for placement against a wound, a super-absorbent layer, and a non-breathable layer, and a drape extending over the non-breathable layer. A reduced-pressure interface is available to fluidly couple the super-absorbent layer to a reduced-pressure subsystem. The super-absorbent dressing assembly preferably supplies a compressive force when placed under reduced pressure. A reduced-pressure treatment system uses a super-absorbent bolster to treat wounds, e.g., linear wounds.

WO 2009/146441 A1

**TITLE OF THE INVENTION****SUPER-ABSORBENT, REDUCED-PRESSURE WOUND DRESSINGS AND  
SYSTEMS**

5

**RELATED APPLICATIONS**

[0001] The present invention claims the benefit, under 35 U.S.C. § 119(e), of the filing of U.S. Provisional Patent Application serial number 61/057,807, entitled "Reduced-pressure Surgical Wound Treatment System," filed May 30, 2008; U.S. Provisional Patent Application serial number 61/057,798, entitled "Dressing Assembly For Subcutaneous Wound treatment Using Reduce Pressure," filed May 30, 2008; U.S. Provisional Patent Application serial number 61/057,808, entitled "See-Through, Reduced-Pressure Dressing," filed May 30, 2008; U.S. Provisional Patent Application serial number 61/057,802, entitled "Reduced-Pressure Dressing Assembly For Use in Applying a Closing Force," filed May 30, 2008; U.S. Provisional Patent Application serial number 61/057, 803, entitled "Reduced-Pressure, Linear-Wound Treatment System," filed May 30, 2008; U.S. Provisional Patent Application serial number 61/057,800, entitled "Reduced-Pressure, Compression System and Apparatus for use on a Curved Body Part," filed , May 30, 2008; U.S. Provisional Patent Application serial number 61/057,797, entitled "Reduced-Pressure, Compression System and Apparatus for use on Breast Tissue," filed May 30, 2008; U.S. Provisional Patent Application serial number 61/057,805, entitled "Super-Absorbent, Reduced-Pressure Wound Dressing and System," filed May 30, 2008; U.S. Provisional Patent Application serial number 61/057,810, entitled "Reduced-Pressure, Compression System and Apparatus for use on a Joint," filed May 30, 2008; U.S. Provisional Patent Application serial number 61/121,362, entitled "Reduced-Pressure Wound treatment System Employing an Anisotropic Drape," filed December 10, 2008; and U.S. Provisional Patent Application serial number 61/144, 067, entitled "Reduced-Pressure, Compression System and Apparatus for use on a Joint," filed January 12, 2009. All of these provisional applications are incorporated herein by reference for all purposes.

30

## BACKGROUND

[0002] The present invention relates generally to medical treatment systems, and more particularly, to super-absorbent, reduced-pressure wound dressings and systems suitable for use with wounds such as surgical wounds.

[0003] Physicians perform millions of surgical procedures each year around the world. Many of the procedures are performed as open surgery and an increasing number are performed using minimally invasive surgery, such as endoscopic, arthroscopic, and laparoscopic procedures. As one example, the American Society for Aesthetic Plastic Surgery reports that there were more than 450,000 liposuction procedures in the United States in 2007.

[0004] Surgical procedures involve acute wounds, e.g., an incision, in the epidermis and related tissue. In many instances, the incision is closed at the conclusion of the procedure using a mechanical apparatus, such as staples or suture, or closed using adhesives. Thereafter, the wound is often merely covered with a dry, sterile bandage. Of course, there is usually more disruption than just at the epidermis.

[0005] With many surgical procedures, particularly those done with minimally invasive techniques, much of the disruption or damage is below the epidermis, or at a subcutaneous level. Again, as one example, in one type of liposuction procedure, after the introduction of a tumescent fluid (saline, mild painkiller, and epinephrine), the surgeon will use a trocar and cannula with suction to remove fatty areas. In doing so, it is not uncommon to have subcutaneous voids and other tissue defects formed at tissue sites remote from the incision through which the cannula was placed or other incisions through which equipment was placed. The damaged tissue will need time and care to heal and poses a number of potential complications and risks including edema, seroma, hematoma, further bruising, and ecchymosis to name some.

[0006] To facilitate healing after many surgical procedures, such as liposuction, depending on the body part involved, a firm-fitting wrap or elastic compression garment may be used for weeks on the patient. These devices are at times uncomfortable, may apply compression in a non-uniform manner, and can be difficult to take off and put on. In addition, because of edema, a number of different compression garments may be required for a single

patient. It would be desirable to address some or all of the shortcomings of post-surgical wound care at the incision and at the undermined subcutaneous tissue.

### BRIEF SUMMARY

5           **[0007]** The illustrative embodiments herein may be used with wounds, or irregular tissue, including area wounds and linear wounds. “Linear wound” refers generally to a laceration or incision whether in a line or not. According to an illustrative embodiment, a dressing assembly for use with a reduced-pressure treatment system includes a breathable, fluid restricted dry layer for placement against a wound on a patient and having a first surface and a second, inward-facing surface. The dressing assembly further includes a super-  
10           absorbent layer having a first surface and second, inward-facing surface. The second, inward-facing surface of the super-absorbent layer is disposed adjacent to the first surface of the breathable dry layer. The dressing assembly further includes a non-breathable layer having a first surface and a second, inward-facing surface. The second, inward-facing surface of the  
15           non-breathable layer is disposed adjacent to the first surface of the super-absorbent layer.

**[0008]** According to one illustrative embodiment, a reduced-pressure treatment system for treating a wound includes a super-absorbent bolster for placing on the patient’s epidermis and substantially sized to overlay the wound. The super-absorbent bolster is operable to manifold reduced pressure. The reduced-pressure treatment system further includes a sealing  
20           subsystem for providing a fluid seal between the super-absorbent dressing bolster and the patient and a reduced-pressure subsystem for delivering reduced pressure to the sealing subsystem. The sealing subsystem and reduced-pressure subsystem are operable to deliver reduced pressure to the wound. The super-absorbent dressing bolster, sealing subsystem, and reduced-pressure subsystem are operable to develop a compressive force.

25           **[0009]** According to one illustrative embodiment, a system for assisting the healing of a wound on a patient includes a super-absorbent bolster assembly for placing on the wound of the patient, a sealing subsystem for providing a fluid seal over the super-absorbent bolster assembly and the patient, and a reduced-pressure subsystem for delivering a reduced pressure to the sealing subsystem. The super-absorbent bolster, sealing subsystem, and reduce-pressure  
30           subsystem are operable to deliver reduced pressure to the wound and remove exudate from the wound. The super-absorbent bolster may be operable to hold more than 250 milliliters of fluid

while presenting a dry, inward-facing surface. The absorbent bolster assembly includes a breathable, fluid restricted dry layer having a first surface and a second, inward-facing surface and a super-absorbent layer having a first surface and second, inward-facing surface. The second, inward-facing surface of the super-absorbent layer is disposed adjacent to the first surface of the breathable dry layer.

[0010] Other objects, features, and advantages of the illustrative embodiments will become apparent with reference to the drawings and the detailed description that follow.

### BRIEF DESCRIPTION OF THE DRAWINGS

[0011] A more complete understanding of the present invention may be obtained by reference to the following Detailed Description when taken in conjunction with the accompanying Drawings wherein:

[0012] FIGURE 1 is a schematic, cross-section (with a portion shown in elevation view) of an illustrative embodiment of a reduced-pressure treatment system for treating a wound;

[0013] FIGURE 2 is an exploded schematic, cross-section of an illustrative embodiment of a dressing assembly for use with a reduced-pressure wound treatment system;

[0014] FIGURE 3 is schematic, top view of a portion of illustrative embodiment of a dressing assembly for use with a reduced-pressure wound treatment system; and

[0015] FIGURE 4 is schematic, top view of a portion of another illustrative embodiment of a dressing assembly for use with a reduced-pressure wound treatment system.

## DETAILED DESCRIPTION

[0016] In the following detailed description of the preferred embodiments, reference is made to the accompanying drawings that form a part hereof, and in which is shown, by way of illustration, specific embodiments in which the invention may be practiced. These  
5  
embodiments are described in sufficient detail to enable those skilled in the art to practice the invention, and it is understood that other embodiments may be utilized and that logical structural, mechanical, electrical, and chemical changes may be made without departing from the spirit or scope of the invention. To avoid detail not necessary to enable those skilled in the  
10  
art to practice the invention, the description may omit certain information known to those skilled in the art. The following detailed description is, therefore, not to be taken in a limiting sense, and the scope of the present invention is defined only by the appended claims.

[0017] Referring to FIGURE 1, an illustrative embodiment of a reduced-pressure treatment system 10 for treating a wound, e.g., a linear wound, is presented. With the system  
15  
10, exudate and fluids are held by a dressing bolster to an extent that a portable reduced-pressure source may not need a storage canister. The system 10 may develop a compression force that is applied against a portion of the patient and that may be controlled in real time. The system 10 may be used with linear wounds 12 (e.g., an incision), area wounds, grafts, or subcutaneous voids. Among other things, when applied, the system 10 may help stabilize or  
20  
hold tissue, enhance tensile strength of a wound, compress subcutaneous tissue to help reduce dead space, isolate the wound from external infectious sources, or enhance perfusion. Tensile strength of the wound means the strength of the wound as a force attempts to pull the wound apart or open. Unless otherwise indicated, as used herein, "or" does not require mutual exclusivity.

[0018] The reduced-pressure treatment system 10 is shown in the region of the linear  
25  
wound 12, which is an incision through epidermis 14 and dermis 16 and reaching into a hypodermis or subcutaneous tissue 18. The subcutaneous tissue 18 may include numerous tissue types such as fatty tissue or muscle. An undermined subcutaneous tissue 20 is shown extending out from the linear wound 12 and includes, in this instance, a subcutaneous defect,  
30  
dead space, or void 22. The undermined subcutaneous tissue 20 is often caused by surgical procedures such as liposuction. The undermined subcutaneous tissue 20 may include voids

(such as void 22), open spaces, and various defects that can be troublesome for a number of reasons such as allowing fluids to build that may result in edema.

[0019] The linear wound 12 may be closed using any closing device such as staples, sutures, or adhesive, but is shown in this embodiment with suture 13. The reduced-pressure treatment system 10 is for treating a linear wound, such as linear wound 12, which is an incision in this illustration. The reduced-pressure treatment system may also be used to treat the subcutaneous tissue 20, an area wound, or a graft.

[0020] The reduced-pressure treatment system 10 includes a super-absorbent dressing assembly 30, which includes a super-absorbent dressing bolster 31; a sealing subsystem 60; and a reduced-pressure subsystem 80. When reduced pressure is supplied to the super-absorbent dressing bolster 31, the super-absorbent dressing bolster 31 distributes the reduced pressure to the linear wound 12, develops a compressive force 24, removes fluid, such as exudate, from the linear wound 12, and substantially holds (or stores) all the removed fluid. The reduced-pressure system 10 is operable to deliver reduced pressure to the linear wound 12 that is realized at the level of the subcutaneous tissue 22 and helps approximate—bring together—the tissues in that region as well as helping to remove any air or any other fluids.

[0021] The super-absorbent dressing assembly 30 includes a super-absorbent bolster 31 having a super-absorbent layer 32, which has a first surface 34 and a second, inward-facing surface 36; an entry layer 38 (or fluid entry layer), which has a first surface 40 and a second, inward-facing surface 42, and which may be a breathable, fluid restricted dry layer for placement against the linear wound 12; and a top layer 44, which has a first surface 46 and a second, inward-facing surface 48, and which may be a non-breathable layer. The super-absorbent dressing bolster 31 is sized and shaped to substantially extend over the linear wound 12, and if used in an area application, the super-absorbent dressing bolster 31 is sized to substantially match the estimated area of undermined subcutaneous tissue 20 although a larger or smaller size may be used in different applications. The super-absorbent layer 32 is further described below.

[0022] “Breathable” as used herein means gas permeable. The breathable, fluid restricted dry layer allow a gas to permeate and restricts fluid as will be described. That the breathable, fluid restricted dry layer is “fluid restricted” means that it allows fluid to enter, e.g. exudate from the wound may pass through the layer, but the liquid does not generally flow the

other direction. This means that the bottom surface of the breathable, fluid restricted dry layer remains dry to the touch. The breathable, fluid restricted dry layer is analogous to the layer of a typical disposable diaper that is next to a baby's skin.

[0023] The super-absorbent dressing bolster 31 is operable to distribute reduced pressure to the linear wound 12 and develop forces. The term "manifold" as used herein generally refers to a substance or structure that is provided to assist in applying reduced pressure to, delivering fluids to, or removing fluids from a tissue site. A manifold typically includes a plurality of flow channels or pathways that are interconnected to improve distribution of fluids provided to and removed from the area of tissue around the manifold.

[0024] The sealing subsystem 60 includes a drape 62, or sealing member. The drape 62 may be any material that provides a fluid seal, such as an elastomeric material. "Fluid seal," or "seal," means a seal adequate to hold reduced pressure at a desired site given the particular reduced-pressure subsystem involved. "Elastomeric" means having the properties of an elastomer. It generally refers to a polymeric material that has rubber-like properties.

More specifically, most elastomers have elongation rates greater than 100% and a significant amount of resilience. The resilience of a material refers to the material's ability to recover from an elastic deformation. Examples of elastomers may include, but are not limited to, natural rubbers, polyisoprene, styrene butadiene rubber, chloroprene rubber, polybutadiene, nitrile rubber, butyl rubber, ethylene propylene rubber, ethylene propylene diene monomer, chlorosulfonated polyethylene, polysulfide rubber, polyurethane, EVA film, co-polyester, and silicones. Specific examples of the drape materials include a silicone drape, 3M Tegaderm® drape, acrylic drape such as ones available from Avery Dennison, or an incise drape.

[0025] The drape 62 may be coupled to the super-absorbent dressing bolster 31 and in particular to the first surface 46 of the top layer 44. The coupling may occur in many ways.

The drape 62 and the top layer 44 may be coupled using adhesives such as by acrylic adhesive, silicone adhesive, hydrogel, hydrocolloid, etc. The drape 62 and the top layer 44 may be bonded by heat bonding, ultrasonic bonding, and radio frequency bonding, etc. The coupling may occur in patterns, more completely, or totally. Structural members may be added to the bond to make the drape 62 behave anisotropically in a desired direction, i.e. to make an anisotropic drape material. The anisotropic drape material helps the dressing assembly 30 to primarily move in a given direction, i.e. only about a certain axis or axes.

[0026] In the embodiment of FIGURE 1, the drape 62 is sized to extend beyond a peripheral edge 39 of the super-absorbent dressing bolster 31 and thereby to form a drape extension 64. The drape extension 64 has a first surface 66 and a second, inward-facing surface 68. The drape 62 may be sealed against the patient's epidermis 14 using a sealing apparatus 69 for providing a fluid seal, which allows a reduced pressure to be maintained by the reduced-pressure subsystem 80. The sealing apparatus 69 may take numerous forms such as adhesive, a sealing tape 70, or drape tape or strip, double-side drape tape, paste, hydrocolloid, hydrogel, or other sealing means. If a tape 70 is used, the tape 70 may be formed of the same material as the drape 62 with a pre-applied, pressure-sensitive adhesive.

In another embodiment, a pressure sensitive adhesive may be applied on the second surface 68 of the drape extension 64. The adhesive provides a substantially fluid seal between the drape 62 and the epidermis 14 of the patient. Before the drape 62 is secured to the patient, the adhesive may have removable strips covering the pressure-sensitive adhesive. In using the tape 70, the tape 70 is applied over the extension 64 to provide a fluid seal.

[0027] The reduced-pressure subsystem 80 includes a reduced-pressure source 82, which can take many different embodiments that provide a reduced pressure as a part of the reduced-pressure treatment system 10. The reduced-pressure source 82 may be any device for supplying a reduced-pressure, such as a vacuum pump, wall suction, or other source. While the amount and nature of reduced-pressure applied to a tissue site will typically vary according to the application, the reduced-pressure will typically be between -5 mm Hg and -500 mm Hg and more typically between -100 mm Hg and -300 mm Hg. A pressure of -200 mm Hg may be used in some situations.

[0028] As used herein, "reduced-pressure" generally refers to a pressure less than the ambient pressure at a tissue site that is being subjected to treatment. In most cases, this reduced-pressure will be less than the atmospheric pressure at which the patient is located. Alternatively, the reduced-pressure may be less than a hydrostatic pressure at the tissue site. Unless otherwise indicated, values of pressure stated herein are gauge pressures. The reduced-pressure delivered may be constant or varied (patterned or random) and may be delivered continuously or intermittently. Although the terms "vacuum" and "negative pressure" may be used to describe the pressure applied to the tissue site, the actual pressure applied to the tissue site may be more than the pressure normally associated with a complete vacuum. Consistent

with the use herein, an increase in reduced-pressure or vacuum pressure typically refers to a relative reduction in absolute pressure.

[0029] In order to maximize patient mobility and ease, the reduced-pressure source 82 may be a battery-powered, single-use reduced-pressure generator, or therapy unit. Such a pressure source 82 facilitates application in the operating room and provides mobility and convenience for the patient during the rehabilitation phase. Other sources of reduced pressure may be utilized such as V.A.C.® therapy unit, which is available from KCI of San Antonio, Texas, or a wall suction unit. The reduced-pressure source could also be supplied by a portable mechanical device, such as a piston in a tube, depending on how much leakage there is with the fluid seal between the dressing bolster and the epidermis.

[0030] The super-absorbent nature of the super-absorbent dressing bolster 31 allows for the possibility of utilizing a reduced-pressure source that does not require a remote fluid-storage canister because the super-absorbent dressing bolster 31 effectively stores the fluid. The super-absorbent layer 32 may hold 300 milliliters of fluid or more. At the same time, entry layer 38 keeps the fluid away from the patient's epidermis 14 so that maceration may be avoided. The reduced-pressure source 82 is shown having a battery compartment 84. An interposed membrane filter, such as hydrophobic or oleophobic filter, may be interspersed between a reduced-pressure delivery conduit, or tubing, 90 and the reduced-pressure source 82.

[0031] The reduced pressure developed by the reduced-pressure source 82 is delivered through the reduced-pressure conduit 90 to a reduced-pressure interface 92, which may be an elbow port 94. In one embodiment, the elbow port 94 is a TRAC® technology port available from KCI of San Antonio, Texas. The reduced-pressure interface 92 allows reduced pressure to be delivered to the sealing subsystem 60 and realized within an interior portion of sealing subsystem 60. In this particular embodiment, the reduced-pressure interface 92 extends through the drape 62 and into the super-absorbent dressing bolster 31.

[0032] In operation, the reduced-pressure treatment system 10 may be applied in the operating room after a surgical procedure on the patient or elsewhere. The second surface 42 of the entry layer 38 of the super-absorbent dressing bolster 31 would be placed against the patient's epidermis 14 over the linear wound 12. The dressing assembly 30 may be sized for typical application involved in the procedure performed by a healthcare provider. The

5 dressing assembly 30 may be sized, shaped, and configured to work in different anatomical applications such as abdomen, chest, thighs, hip, etc.

10 [0033] If the drape 62 is not already coupled to the super-absorbent dressing bolster 31, the drape 62 is placed over the first surface 46 of the top layer 44 and the peripheral edge 39 of the super-absorbent dressing bolster 31 with an extra portion extending beyond the peripheral edge 39 to form the drape extension 64. The drape extension 64 can then be taped down with the tape 70 or an adhesive used to form a fluid seal between the drape 62 and the patient's epidermis 14. The fluid seal need only be adequate to allow the reduced-pressure treatment system 10 to maintain a reduced pressure on the treatment area or tissue site for a desired treatment time. The reduced-pressure interface 92 is applied if not already installed. The reduced-pressure delivery conduit 90 is fluidly coupled to the reduced-pressure source 82 and the reduced-pressure interface 92. The reduced-pressure source 82 may then be activated and a reduced pressure delivered to the super-absorbent dressing bolster 31.

15 [0034] As the pressure is reduced at the super-absorbent dressing bolster 31, the reduced pressure is transmitted further still through the super-absorbent dressing bolster 31 so that the reduced pressure is experienced at the patient's epidermis 14 proximate the linear wound 12. At least at the early stages of the healing process, the reduced pressure may be realized through the linear wound 12 and into the subcutaneous tissue 20 and, if so, the reduced pressure helps close defects (if any) such as the subcutaneous void 22 and generally provides stability to the treatment area. The reduced pressure delivered to the super-absorbent dressing bolster 31 also develops a compressive force 24 that again provides stability and may enhance tensile strength, etc. The compressive force 24 may be more than just at the top of the epidermis 14. The compressive force may extend down deeper and may be experienced at the level of the subcutaneous tissue 20.

20 [0035] During treatment, care is taken to avoid skin irritation, such as blistering of the patient's epidermis 14, due to secondary shear, secondary strain or other effects. To help avoid skin irritation, the peripheral edge 39 may be shaped or angled or an inner layer may be added between the super-absorbent dressing bolster 31 and the patient's epidermis 14.

25 [0036] Referring now to FIGURE 2, an exploded, schematic cross-section of a portion of a super-absorbent dressing assembly 130 for use with a reduced-pressure wound treatment system is shown. The super-absorbent dressing assembly 130 is analogous in most respect to

the super-absorbent dressing assembly 30 of FIGURE 1, but the super-absorbent dressing assembly 130 is shown without a drape extending over the super-absorbent dressing assembly 130. The super-absorbent dressing assembly 130 may include a number of layers, but is shown in this illustrative embodiment as having a super-absorbent dressing bolster 131 that includes three main layers: a super-absorbent layer 132, an entry layer 138, and a top layer 144.

**[0037]** The entry layer 138 has a first surface 140 and a second, inward-facing surface 142. The entry layer 138 is intended to allow fluid to leave a linear wound 112 on the patient's epidermis 114 and pass through the entry layer 138, but not remain on the epidermis 114. In other words, the entry layer 138 functions to effectively allow flow in only one direction. This one-way action helps to avoid maceration of the epidermis 114. The entry layer 138 also helps manifold, or distribute, reduced pressure to the linear wound 112. The entry layer 138 may be described as a breathable dry layer. Many materials may be used for the entry layer 138 such as a hydrophilic non-woven material.

**[0038]** The top layer 144 has a first surface 146 and a second, inward-facing surface 148. The top layer 144 may be a non-breathable layer. The top layer 144 may have an aperture 149 formed through the top layer 144 to accommodate a reduced-pressure fluidly coupled to a reduced-pressure source. The top layer 144 helps provide a seal over the super-absorbent layer 132. A number of materials may be used for the top layer 144 such as a polyethylene film that will keep fluids from leaking out. In an alternative embodiment, the top layer 144 may be omitted and a drape alone used to contain fluids within the super-absorbent dressing assembly 130.

**[0039]** An additional interface breathable layer 194 may be added on the first surface 146 of the top layer 144 to function as a filter. The interface breathable layer 194 covers aperture 149. The interface breathable layer 194 allows delivery of reduced pressure and prevents portions of the super-absorbent layer 132 from entering the reduced-pressure interface, e.g., reduced-pressure interface 92 of FIGURE 1, that rests on top of the super-absorbent dressing assembly 130.

**[0040]** The super-absorbent layer 132 has a first surface 134 and a second, inward-facing surface 136. The super-absorbent layer 132 helps manifold reduced pressure to the entry layer 138 and on to the linear wound 112. The super-absorbent layer 132 is operable to

hold relatively large quantities of fluid and is operable to help serve as a dressing bolster for developing a compressive force (e.g., force 24 in FIG. 1).

[0041] The super-absorbent layer 32 (FIG. 1) and the super-absorbent layer 132 may be formed from superabsorbent polymers (SAP) of the type often referred to as “hydrogels,” “super-absorbents,” or “hydrocolloids.” Super-absorbent spheres may be used as well that would manifold reduced pressure until the super-absorbent spheres become saturated. In order to allow a reduced pressure to be used without a remote canister or with a relatively small remote canister in a human patient, it is desirable with many surgical applications to make the super-absorbent layer 132 operable to hold at least 300 milliliters of fluid. In some applications, it may additionally be desirable to provide super-absorbent material in the reduced-pressure deliver conduit (e.g., 90 in FIG. 1) between the super-absorbent dressing 132 and the reduced-pressure source to further hold fluid.

[0042] When fluid is added to the super-absorbent layer 132, the dressing bolster 131 becomes more rigid and under reduced pressure this results in an increased compressive force, such as force 24 in FIGURE 1. The fluid may come in the form of exudates or other fluids from the linear wound 112 or may be a supplied fluid, such as a saline, that is intentionally added by injection or otherwise.

[0043] Referring now to FIGURE 3, a super-absorbent dressing assembly 230 may be formed with a reduced-pressure interface 292 for delivering reduced pressure and an injection port 233. The injection port 233 facilitates injection of a fluid into a super-absorbent layer of the super-absorbent dressing assembly 230.

[0044] Referring now to FIGURE 4, a super-absorbent dressing assembly 330 may have a first interface 392, or reduced-pressure interface, for delivering a reduced pressure to a super-absorbent layer, and may also include a second interface 335, or a fluid delivery interface, for delivering a fluid, such as saline, to the super-absorbent layer.

[0045] Whether by an injection port 233 (FIG. 3) or a second interface 335 (FIG. 4) or another means, fluid may be added to the super-absorbent layer to increase the rigidity of the super-absorbent layer and this provides a liquid-controlled bolster. The addition of liquid controls the rigidity which in turn can control the compressive force developed under reduced pressure. If the fluid is supplied from a exudating (e.g., bleeding) wound, the additional compressive force developed with additional fluid—exudate—helps make the dressing

somewhat self-adjusting or self-regulating. This may be particularly useful in wound treatment on the battlefield. The amount of compression developed may also be influenced by the elasticity of the drape; the more stretchable it is, the less compressive force will be developed. A transducer and controller may be provided that facilitates measurement of the compression force and is able to adjust the quantity of fluid supplied through the second interface 335 (or remove through the first interface 392) to regulate the compression at a desired level or within desired parameters.

[0046] According to another illustrative embodiment, a method of manufacturing a dressing assembly for use with a reduced-pressure wound treatment system includes the steps of: forming a breathable, fluid restricted dry layer for placement against a wound and having a first surface and a second, inward-facing surface; disposing a super-absorbent layer having a first surface and second, inward-facing surface adjacent to the breathable dry layer; disposing a non-breathable layer having a first surface and a second, inward-facing surface adjacent to the first surface of the super-absorbent layer. The method of manufacturing further includes placing a drape over the first surface of the non-breathable layer; and fluidly coupling a reduced-pressure interface to the super-absorbent layer.

[0047] Although the present invention and its advantages have been disclosed in the context of certain illustrative, non-limiting embodiments, it should be understood that various changes, substitutions, permutations, and alterations can be made without departing from the scope of the invention as defined by the appended claims. It will be appreciated that any feature that is described in a connection to any one embodiment may also be applicable to any other embodiment.

**CLAIMS**

We claim:

Claim 1. A dressing assembly for use with a reduced-pressure treatment system, the dressing assembly comprising:

- 5 a breathable, fluid restricted dry layer for placement against a wound on a patient and having a first surface and a second, inward-facing surface;
- a super-absorbent layer having a first surface and second, inward-facing surface, the second, inward-facing surface of the super-absorbent layer disposed adjacent to the first surface of the breathable dry layer; and
- 10 a non-breathable layer having a first surface and a second, inward-facing surface, the second, inward-facing surface of the non-breathable layer disposed adjacent to the first surface of the super-absorbent layer.

Claim 2. The dressing assembly of claim 1 further comprising a drape extending over the first surface of the non-breathable layer and a reduced-pressure interface fluidly coupled to the super-absorbent layer and operable with the sealing subsystem to receive reduced pressure.

15

Claim 3. The dressing assembly of claim 1 further comprising a drape extension formed by a portion of the drape extending beyond a peripheral edge of the breathable, fluid restricted dry layer, super-absorbent layer, and non-breathable layer.

20 Claim 4. The dressing assembly of claim 1 further comprising a drape extension formed by a portion of the drape extending beyond a peripheral edge of the breathable, fluid restricted dry layer, super-absorbent layer, and non-breathable layer; and further comprising a sealing apparatus for sealing the drape extension to a patient's epidermis.

Claim 5. The dressing assembly of claim 1 wherein the super-absorbent layer is operable to hold at least 300 milliliters of fluid.

25

Claim 6. A reduced-pressure treatment system for treating a wound, the system comprising:

5 a super-absorbent bolster for placing on the patient's epidermis and substantially sized to overlay the wound, the super-absorbent bolster operable to manifold reduced pressure;

a sealing subsystem for providing a fluid seal between the super-absorbent dressing bolster and the patient;

a reduced-pressure subsystem for delivering reduced pressure to the sealing subsystem;

10 wherein the sealing subsystem and reduced-pressure subsystem are operable to deliver reduced pressure to the wound; and

wherein the super-absorbent dressing bolster, sealing subsystem, and reduced-pressure subsystem are operable to develop a compressive force.

Claim 7. The system of claim 6 wherein the super-absorbent dressing bolster comprises:

15 a breathable, fluid-restricted dry layer having a first surface and a second, inward-facing surface;

a super-absorbent layer having a first surface and second surface, the second, inward-facing surface of the super-absorbent layer disposed adjacent to the first surface of the breathable dry layer; and

20 a non-breathable layer having a first surface and a second surface, the second, inward-facing surface of the non-breathable layer disposed adjacent to the first surface of the super-absorbent layer.

Claim 8. The system of claim 6 wherein the super-absorbent dressing bolster comprises: super-absorbent material operable, under reduce pressure, to develop a compressive force  
25 that is greater with the addition of fluid to the super-absorbent material.

Claim 9. The system of claim 6 wherein the super-absorbent dressing bolster comprises: super-absorbent material having a first surface and a second, inward-facing surface; a breathable dry layer having a first surface and a second surface; and

wherein the second surface of the super-absorbent material is coupled, at least in part, to the first surface of the breathable dry layer.

5 Claim 10. The system of claim 6 wherein the super-absorbent dressing bolster comprises:  
super-absorbent material having a first surface and a second, inward-facing surface  
and operable to increase in rigidity with the addition of a fluid;  
a breathable dry layer having a first surface and a second, inward-facing surface;  
a non-breathable layer having a first surface and a second, inward-facing surface;  
and  
10 wherein the second, inward-facing surface of the super-absorbent material is  
coupled, at least in part, to the first surface of the breathable dry layer and  
the second, inward-facing surface on the non-breathable layer and the first  
surface of the super-absorbent material are at least in part coupled.

Claim 11. The system of claim 6 wherein the sealing subsystem comprises: a drape that  
extends over the super-absorbent bolster.

15 Claim 12. The system of claim 6 wherein the sealing subsystem comprises:  
a drape that extends over the super-absorbent bolster; and  
a sealing apparatus for providing a fluid seal between a patient's epidermis and the  
drape.

20 Claim 13. The system of claim 6 wherein the reduced-pressure subsystem comprises:  
a reduced-pressure source for providing reduced pressure;  
a reduced-pressure interface coupled to the sealing subsystem; and  
a reduced-pressure delivery conduit for providing reduced pressure from the  
reduced-pressure source to the reduced-pressure interface.

25 Claim 14. The system of claim 6 wherein the reduced-pressure subsystem comprises:  
a reduced-pressure source operable to provide a variable pressure below ambient  
pressure;  
a reduced-pressure interface coupled to the sealing subsystem;

a reduced-pressure delivery conduit for providing reduced pressure from the reduced-pressure source to the reduced-pressure interface.

Claim 15. The system of claim 6 wherein the reduced-pressure subsystem comprises:

a portable reduced-pressure source;

5 a reduced-pressure interface coupled to the sealing subsystem;

a reduced-pressure delivery conduit for providing reduced pressure from the pressure source to the reduced-pressure interface; and

wherein the reduced-pressure interface transmits reduced pressure to the sealing subsystem.

10 Claim 16. A system for assisting the healing of a wound on a patient, the system comprising:

a super-absorbent bolster assembly for placing on the wound of the patient;

a sealing subsystem for providing a fluid seal over the super-absorbent bolster assembly and the patient;

15 a reduced-pressure subsystem for delivering a reduced pressure to the sealing subsystem; and

wherein the super-absorbent bolster, sealing subsystem, and reduce-pressure subsystem are operable to deliver reduced pressure to the wound and remove exudate from the wound;

20 wherein the super-absorbent bolster is operable to hold more than 250 milliliters of fluid while presenting a dry, inward-facing surface; and

wherein the absorbent bolster assembly comprises:

a breathable, fluid restricted dry layer having a first surface and a second, inward-facing surface; and

25 a super-absorbent layer having a first surface and second, inward-facing surface, the second, inward-facing surface of the super-absorbent layer disposed adjacent to the first surface of the breathable dry layer.

Claim 17. The system of claim 16 further comprising a reduced-pressure interface coupled on the first surface of the non-breathable layer and operable with the sealing subsystem to receive reduced pressure.

5 Claim 18. The system of claim 16 wherein the super-absorbent bolster further comprises a non-breathable layer having a first surface and a second, inward-facing surface, the second, inward-facing surface of the non-breathable layer disposed adjacent to the first surface of the super-absorbent layer.

10 Claim 19. The system of claim 16 further comprising a fluid delivery interface for delivering a fluid to the super-absorbent layer, the fluid delivery interface coupled to the first surface of the non-breathable layer and fluidly coupled to the super-absorbent layer.



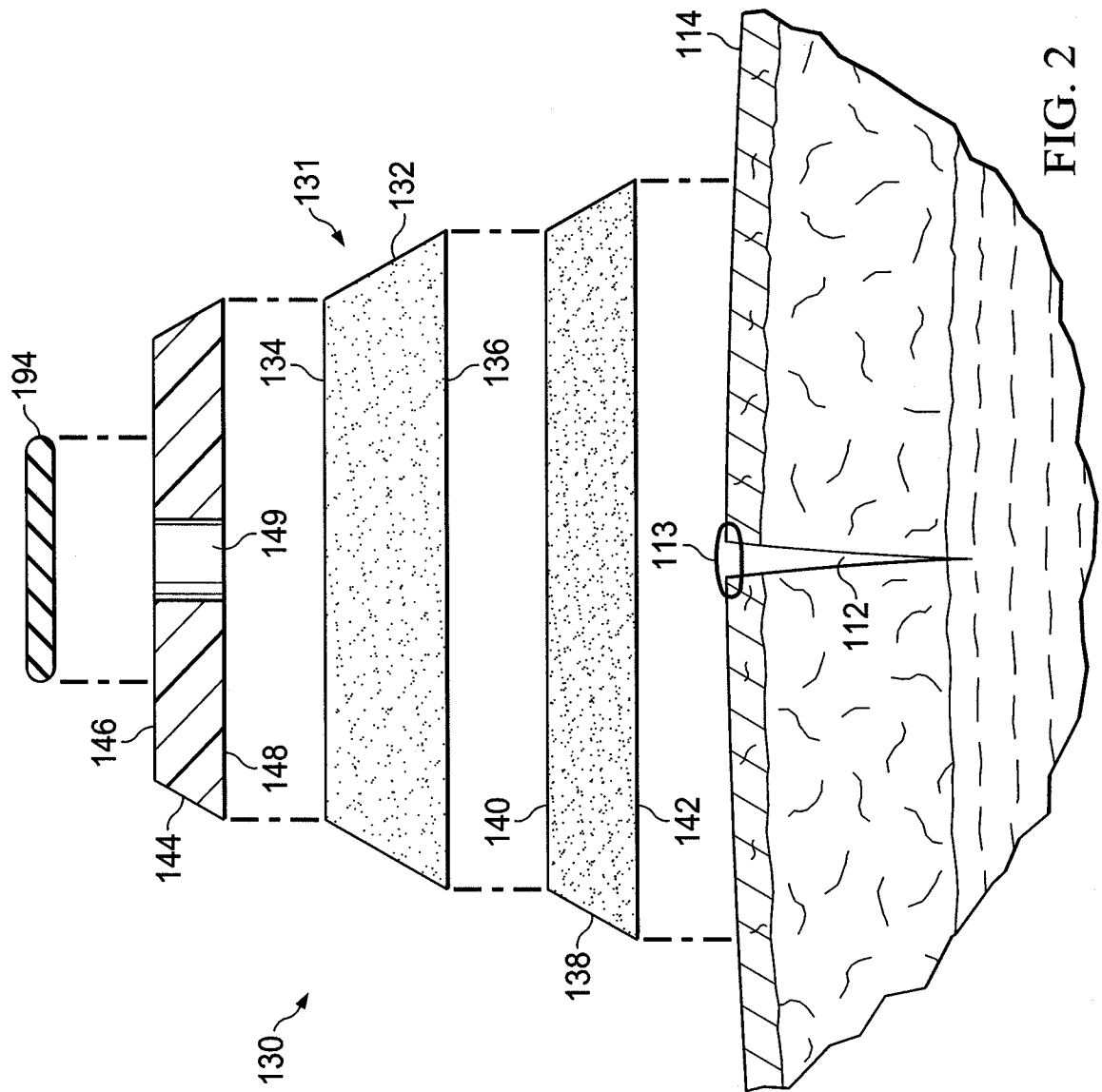


FIG. 2

3/3

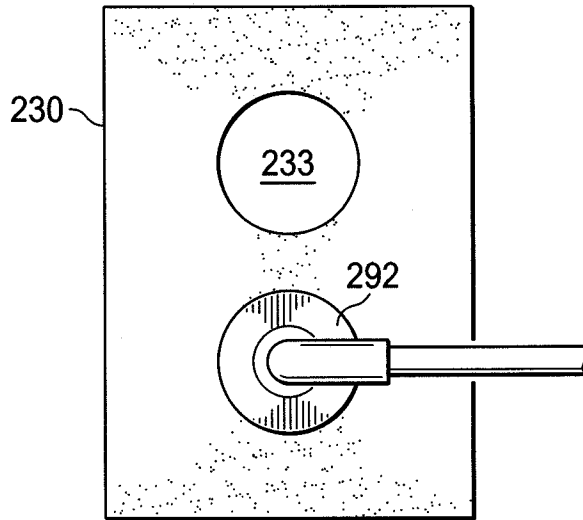


FIG. 3

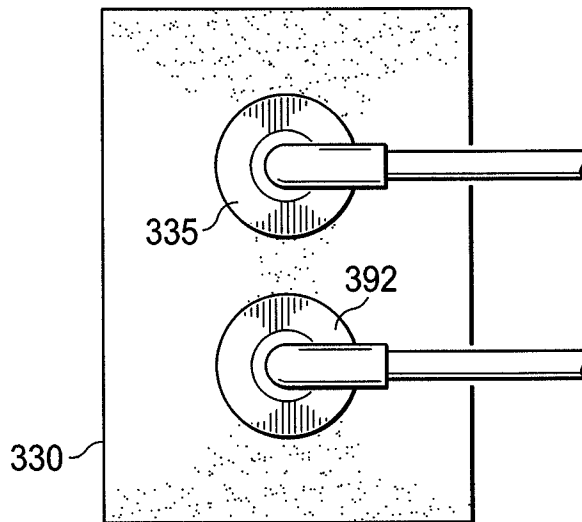


FIG. 4

## INTERNATIONAL SEARCH REPORT

International application No  
PCT/US2009/045743A. CLASSIFICATION OF SUBJECT MATTER  
INV. A61F13/00 A61M1/00

According to International Patent Classification (IPC) or to both national classification and IPC

## B. FIELDS SEARCHED

Minimum documentation searched (classification system followed by classification symbols)  
A61F A61M

Documentation searched other than minimum documentation to the extent that such documents are included in the fields searched

Electronic data base consulted during the international search (name of data base and, where practical, search terms used)

EPO-Internal

## C. DOCUMENTS CONSIDERED TO BE RELEVANT

Category*	Citation of document, with indication, where appropriate, of the relevant passages	Relevant to claim No.
X	US 2007/078366 A1 (HAGGSTROM KURT [US] ET AL) 5 April 2007 (2007-04-05)	1,5-10, 13-18
Y	paragraphs [0008], [0010], [0023], [0024], [0027], [0032], [0033]	2-4, 11-12,19
Y	US 2008/103462 A1 (WENZEL STUART [US] ET AL) 1 May 2008 (2008-05-01)	1-19
Y	paragraphs [0004], [0016], [0017], [0018]	
Y	US 2008/119802 A1 (RIESINGER BIRGIT [DE]) 22 May 2008 (2008-05-22)	1-19
	paragraphs [0001], [0003], [0010], [0011], [0036], [0040]	
	-/--	

 Further documents are listed in the continuation of Box C. See patent family annex.

\* Special categories of cited documents:

\*A\* document defining the general state of the art which is not considered to be of particular relevance

\*E\* earlier document but published on or after the international filing date

\*L\* document which may throw doubts on priority claim(s) or which is cited to establish the publication date of another citation or other special reason (as specified)

\*O\* document referring to an oral disclosure, use, exhibition or other means

\*P\* document published prior to the international filing date but later than the priority date claimed

\*T\* later document published after the international filing date or priority date and not in conflict with the application but cited to understand the principle or theory underlying the invention

\*X\* document of particular relevance; the claimed invention cannot be considered novel or cannot be considered to involve an inventive step when the document is taken alone

\*Y\* document of particular relevance; the claimed invention cannot be considered to involve an inventive step when the document is combined with one or more other such documents, such combination being obvious to a person skilled in the art.

\*8\* document member of the same patent family

Date of the actual completion of the international search

12 August 2009

Date of mailing of the international search report

20/08/2009

Name and mailing address of the ISA/

European Patent Office, P.B. 5818 Patentlaan 2  
NL - 2280 HV Rijswijk  
Tel. (+31-70) 340-2040,  
Fax: (+31-70) 340-3016

Authorized officer

Gennari, Silvia

## INTERNATIONAL SEARCH REPORT

International application No  
PCT/US2009/045743

C(Continuation). DOCUMENTS CONSIDERED TO BE RELEVANT		
Category*	Citation of document, with indication, where appropriate, of the relevant passages	Relevant to claim No.
Y	US 2007/185426 A1 (AMBROSIO ARCHEL [US] ET AL) 9 August 2007 (2007-08-09) figure 2 paragraphs [0003], [0038], [0041], [0042], [0054], [0056], [0059] -----	1-19
Y	US 4 969 880 A (ZAMIEROWSKI DAVID S [US]) 13 November 1990 (1990-11-13) abstract column 1, line 6 - column 1, line 9 column 2, line 14 - column 2, line 19 -----	1-19

# INTERNATIONAL SEARCH REPORT

Information on patent family members

International application No PCT/US2009/045743
---

Patent document cited in search report	Publication date	Patent family member(s)	Publication date
US 2007078366	A1	05-04-2007	NONE
US 2008103462	A1	01-05-2008	NONE
US 2008119802	A1	22-05-2008	AT 390941 T 15-04-2008 AU 2005309089 A1 01-06-2006 CA 2589312 A1 01-06-2006 CN 101065158 A 31-10-2007 DE 202004018245 U1 07-07-2005 DK 1814609 T3 04-08-2008 EP 1814609 A1 08-08-2007 WO 2006056294 A1 01-06-2006 ES 2304730 T3 16-10-2008
US 2007185426	A1	09-08-2007	AU 2008209626 A1 31-07-2008 WO 2008091521 A2 31-07-2008
US 4969880	A	13-11-1990	AT 146980 T 15-01-1997 AU 654468 B2 10-11-1994 AU 5521890 A 05-11-1990 CA 2049948 A1 04-10-1990 DE 69029578 D1 13-02-1997 DE 69029578 T2 05-06-1997 EP 0465601 A1 15-01-1992 JP 4506011 T 22-10-1992 JP 3152398 B2 03-04-2001 WO 9011795 A1 18-10-1990