



US00D720685S

(12) **United States Design Patent**
Fontaine et al.

(10) **Patent No.:** **US D720,685 S**
(45) **Date of Patent:** **** Jan. 6, 2015**

- (54) **TIRE**
- (71) Applicant: **The Goodyear Tire & Rubber Company, Akron, OH (US)**
- (72) Inventors: **Sebastien Willy Fontaine, Vichten (LU); Stephane Houchard, Orgeo (BE); Jean Joseph Victor Collette, Arlon (BE); Denis Gilon, Herve (BE); Patrick Paul Deblaize, Mamer (LU)**
- (73) Assignee: **The Goodyear Tire & Rubber Company, Akron, OH (US)**
- (**) Term: **14 Years**
- (21) Appl. No.: **29/446,590**
- (22) Filed: **Feb. 26, 2013**
- (51) **LOC (10) Cl.** **12-15**
- (52) **U.S. Cl.**
USPC **D12/565**
- (58) **Field of Classification Search**
USPC D12/533-535; 152/209.1-209.9
See application file for complete search history.

(56) **References Cited**

U.S. PATENT DOCUMENTS

D361,966 S	9/1995	Graas et al.	D12/146
D362,420 S	9/1995	Heinen et al.	D12/147
D379,448 S	5/1997	Graas et al.	D12/147
D379,449 S	5/1997	Graas et al.	D12/151
D379,787 S	6/1997	Maxwell et al.	D12/147
D429,194 S	8/2000	Heinen et al.	D12/147
D429,478 S	8/2000	Heinen et al.	D12/147
D430,829 S *	9/2000	Ratliff et al.	D12/546
D431,800 S	10/2000	Heinen et al.	D12/147
D441,328 S	5/2001	Heinen et al.	D12/146
D450,268 S	11/2001	Dixon et al.	D12/147
D451,856 S	12/2001	Graas	D12/147
D452,198 S	12/2001	Heinen et al.	D12/146
D455,116 S	4/2002	Graas et al.	D12/553
D471,149 S *	3/2003	Endo et al.	D12/551

D504,106 S	4/2005	de Briey-Terlinden et al.	D12/553
D504,866 S	5/2005	Collette et al.	D12/553
D505,112 S	5/2005	Heinen et al.	D12/567
D533,131 S	12/2006	Fontaine et al.	D12/588
D548,677 S	8/2007	Welbes et al.	D12/553
D601,946 S	10/2009	Fontaine et al.	D12/553
D606,007 S	12/2009	Fontaine et al.	D12/564
D610,964 S	3/2010	Dixon et al.	D12/552
D612,798 S	3/2010	Miyazaki	D12/553
D640,184 S	6/2011	de Briey-Terlinden	D12/553
D640,966 S	7/2011	Fontaine et al.	D12/563

(Continued)

Primary Examiner — George D Kirschbaum

(74) *Attorney, Agent, or Firm* — Richard B. O’Planick

(57) **CLAIM**

The ornamental design for a tire, as shown and described.

DESCRIPTION

FIG. 1 is a perspective view of a tire showing our new design, it being understood that the pattern repeats uniformly throughout the circumference of the tread;

FIG. 2 is a front elevational view thereof;

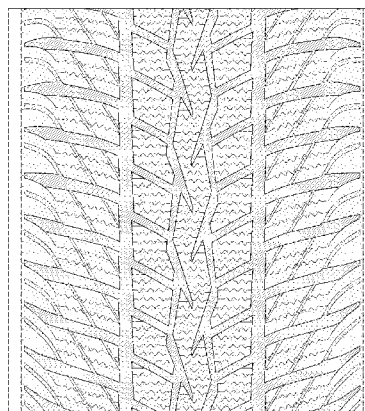
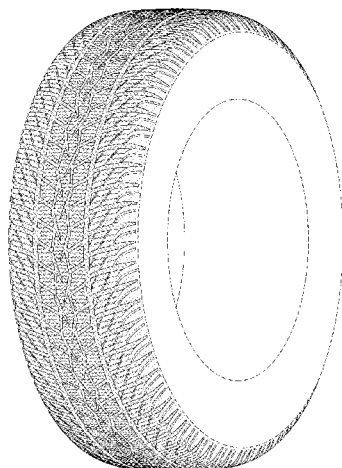
FIG. 3 is a right side elevational view thereof; the other side being a mirror image thereof;

FIG. 4 is an enlarged fragmentary front elevational view thereof;

FIG. 5 is a perspective view of a second embodiment of a tire showing our new design, it being understood that the pattern repeats uniformly throughout the circumference of the tread and that the opposite side view is a mirror image thereof; and, FIG. 6 is a front elevational view of a second embodiment, it being understood that an enlarged fragmentary view thereof would be substantially identical to that shown in FIG. 4, with the exception of the inclusion of the sidewall in solid lines.

In the drawings, the broken lines showing of the sidewall, inner bead and the peripheral boundary between the tire tread and the sidewall in FIGS. 1 through 4 depict environmental subject matter and form no part of the claimed design.

1 Claim, 6 Drawing Sheets



US D720,685 S

Page 2

(56)

References Cited

U.S. PATENT DOCUMENTS

D641,305 S	7/2011	de Briey-Terlinden	D12/547	D662,454 S	6/2012	Fontaine et al.	D12/553
D659,080 S	5/2012	Pons et al.	D12/564	D666,552 S	9/2012	Parr	D12/551
				D669,021 S	10/2012	Cano et al.	D12/553
				D669,416 S	10/2012	Cano et al.	D12/553

* cited by examiner

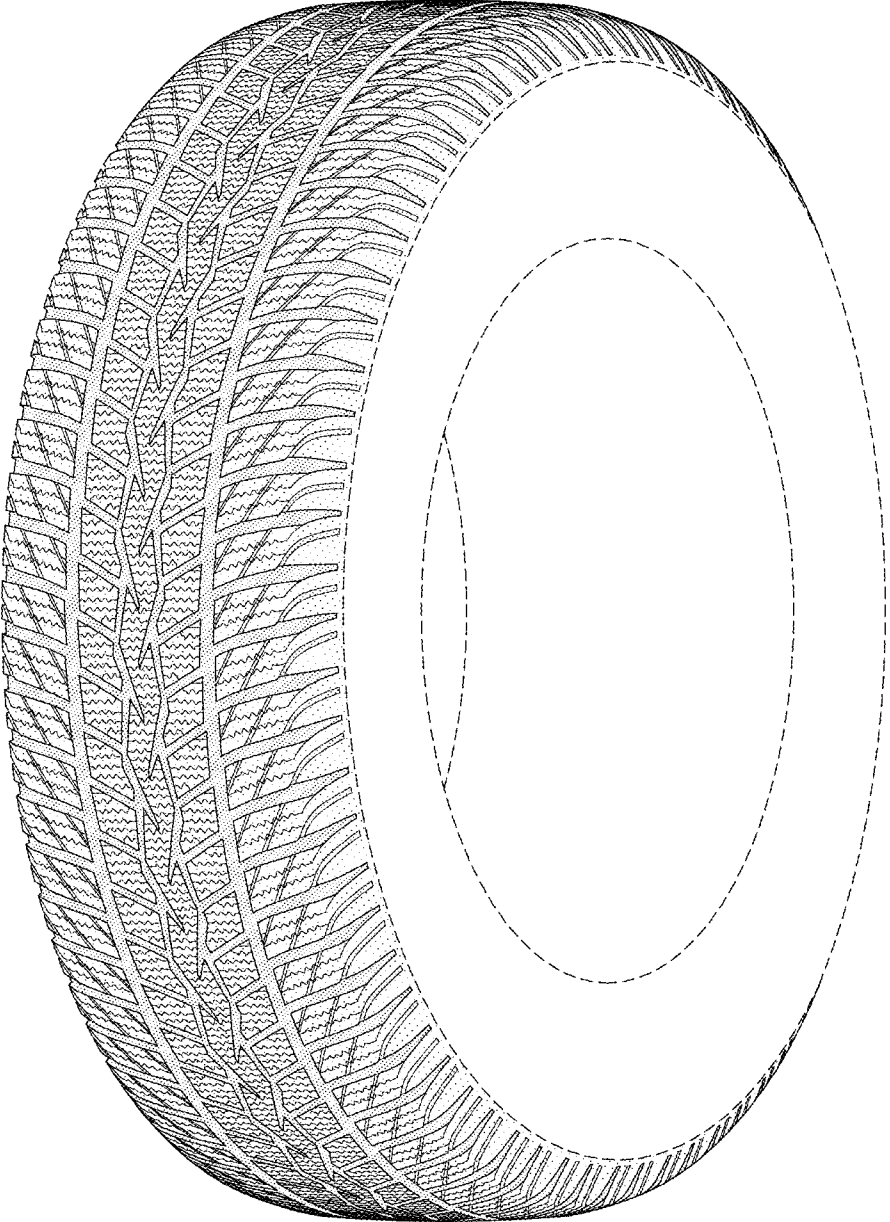


FIG-1

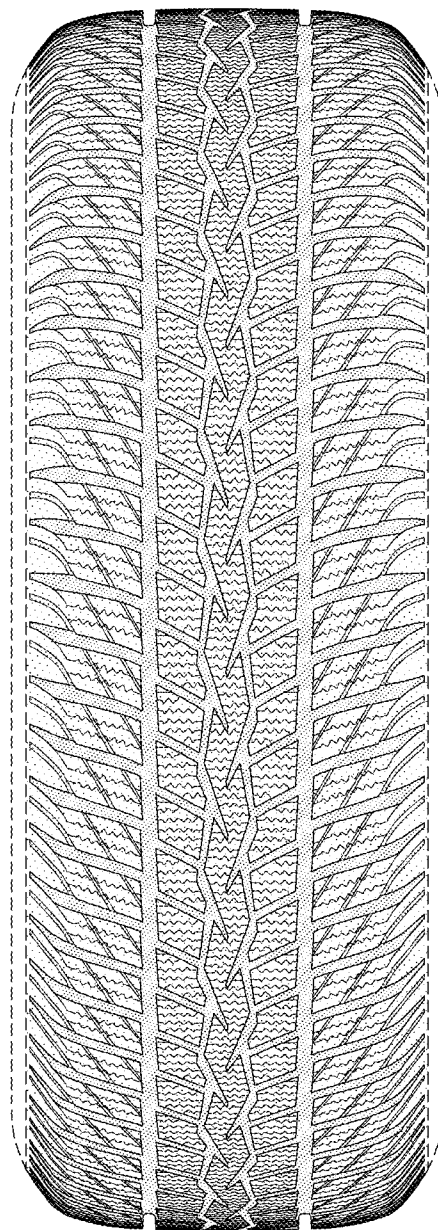


FIG-2

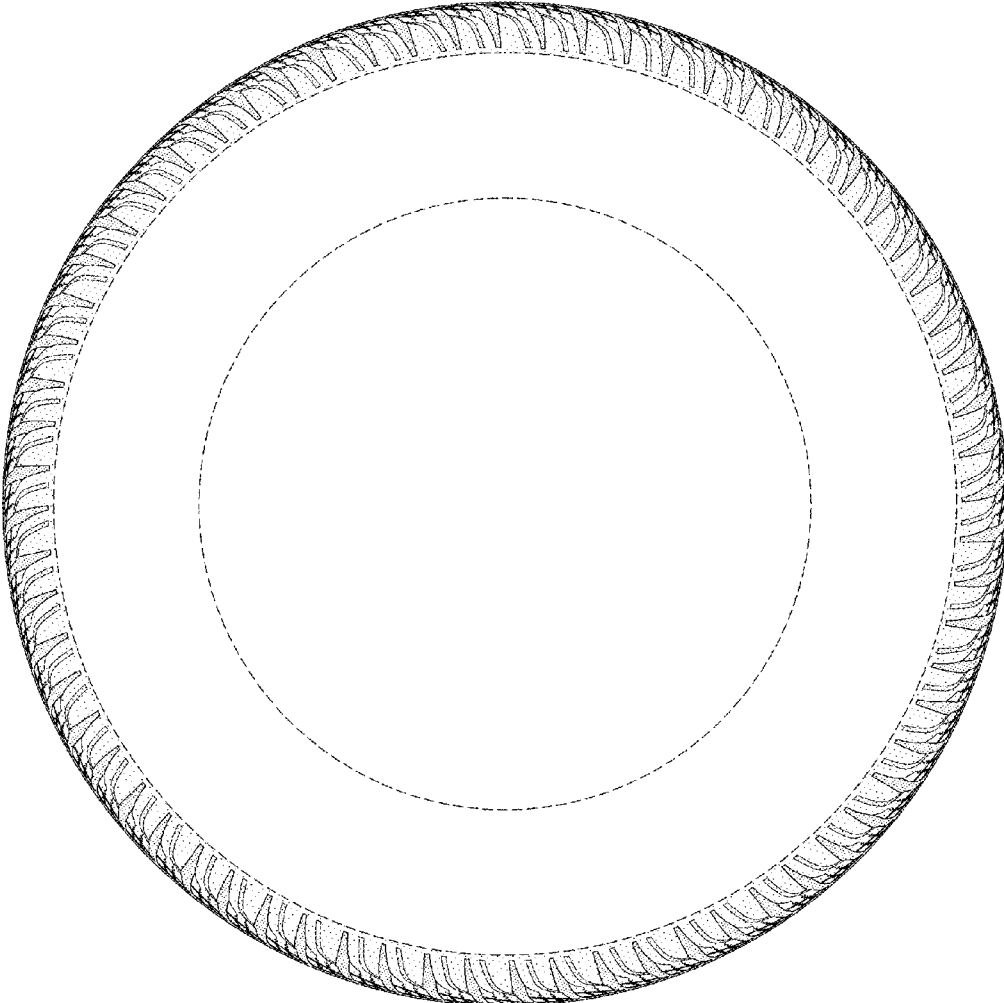


FIG-3

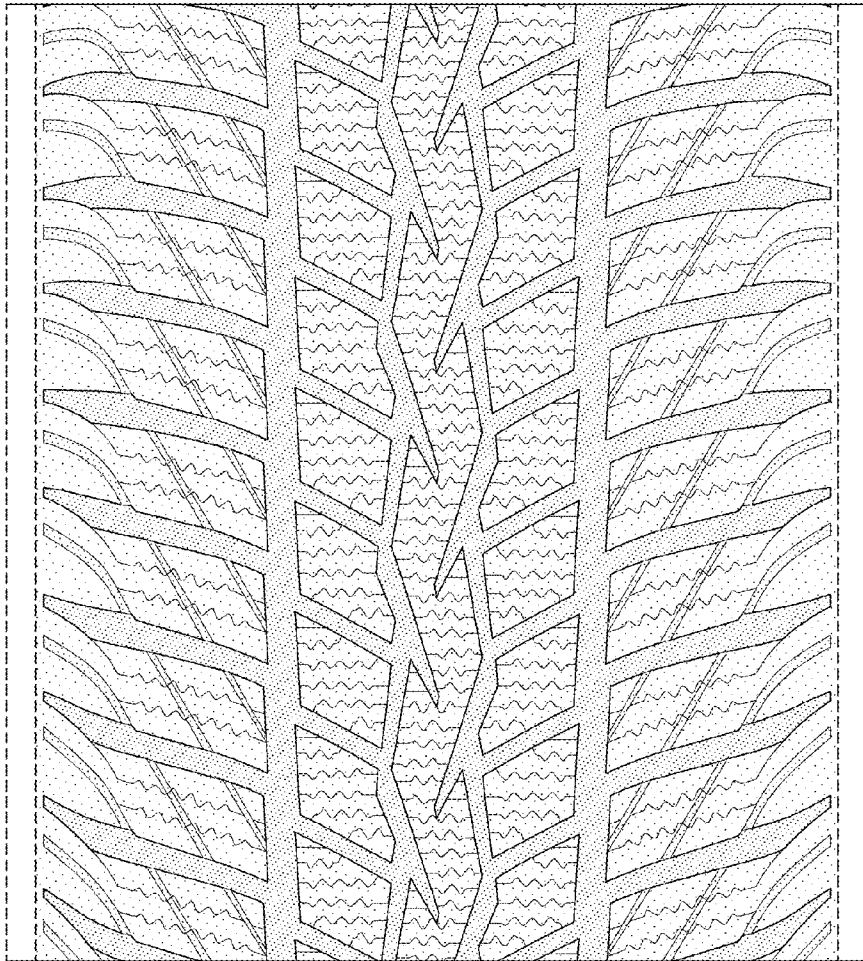


FIG-4

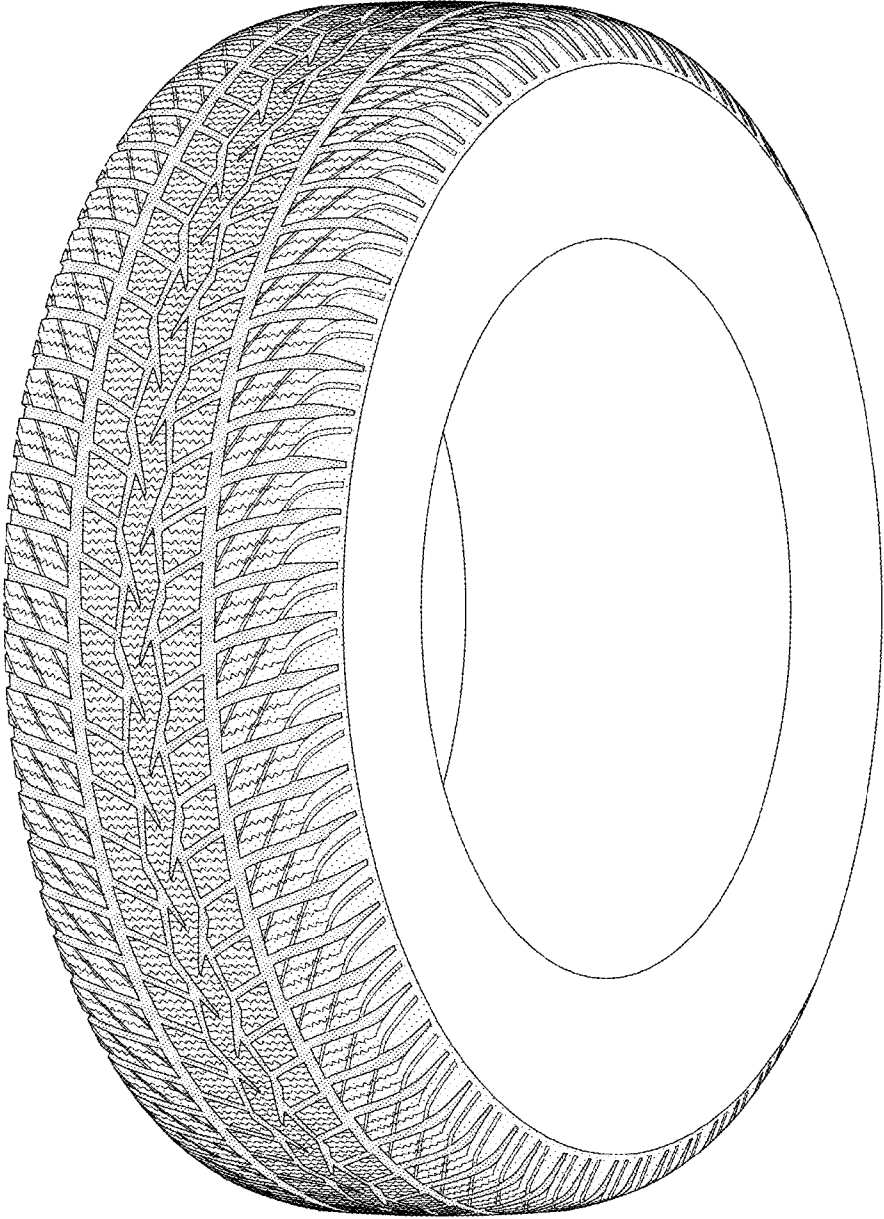


FIG-5

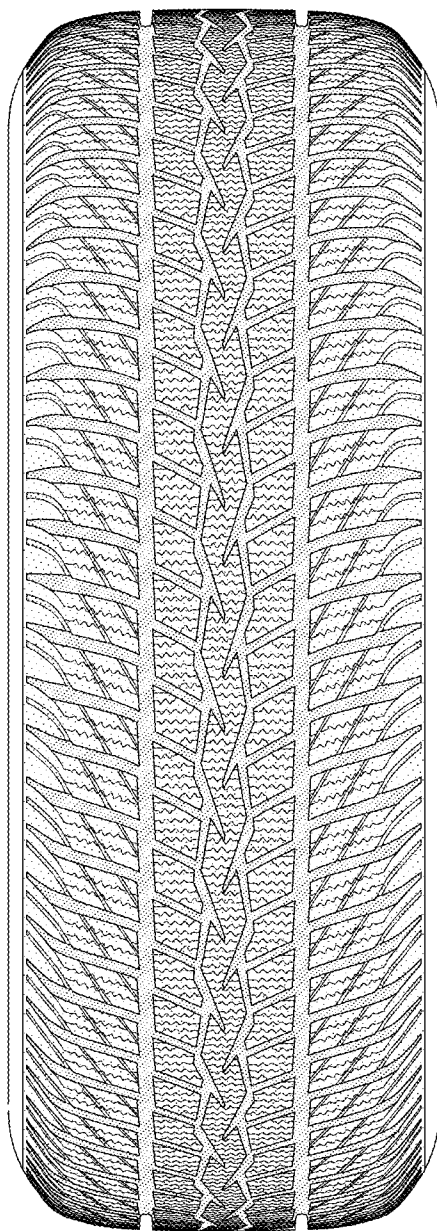


FIG-6