



US00D670225S

(12) **United States Design Patent**
Müller

(10) **Patent No.:** **US D670,225 S**

(45) **Date of Patent:** **** Nov. 6, 2012**

(54) **WHEEL RIM**

(75) Inventor: **Peter Müller**, Raesfeld (DE)

(73) Assignee: **Brabus GmbH**, Bottrop (DE)

(**) Term: **14 Years**

(21) Appl. No.: **29/413,297**

(22) Filed: **Feb. 14, 2012**

(30) **Foreign Application Priority Data**

Aug. 15, 2011 (EM) 1904491

(51) **LOC (9) Cl.** **12-16**

(52) **U.S. Cl.** **D12/211**

(58) **Field of Classification Search** D12/204-213;
301/37.101, 64.101, 65, 64.201

See application file for complete search history.

(56) **References Cited**

U.S. PATENT DOCUMENTS

D416,849 S * 11/1999 Weidhase D12/211
D438,503 S * 3/2001 Syring D12/211

D516,989 S * 3/2006 Baum D12/211
D533,827 S * 12/2006 Aydin D12/211
D546,748 S * 7/2007 Young D12/211
D569,323 S * 5/2008 Laengerer D12/211
D572,186 S * 7/2008 Viandante D12/211
D578,455 S * 10/2008 Pfeiffer D12/211
D591,661 S * 5/2009 Baum D12/209
D617,709 S * 6/2010 Borkert D12/209
D620,418 S * 7/2010 Borkert D12/209
D655,234 S * 3/2012 Zhao D12/211
D657,299 S * 4/2012 Lee D12/211

* cited by examiner

Primary Examiner — Stacia Cadmus

(74) *Attorney, Agent, or Firm* — Gudrun E. Huckett

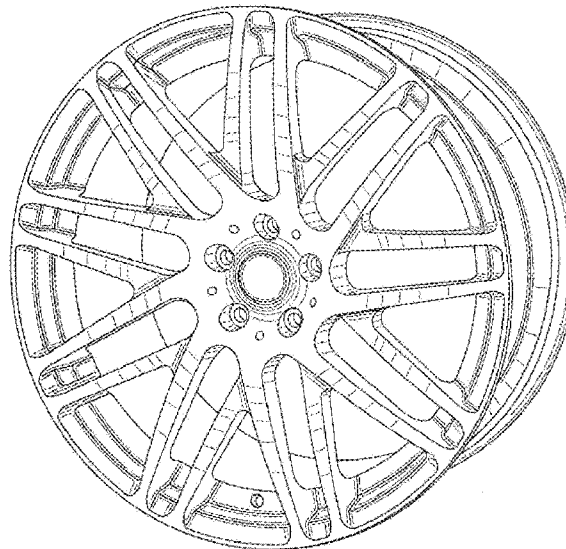
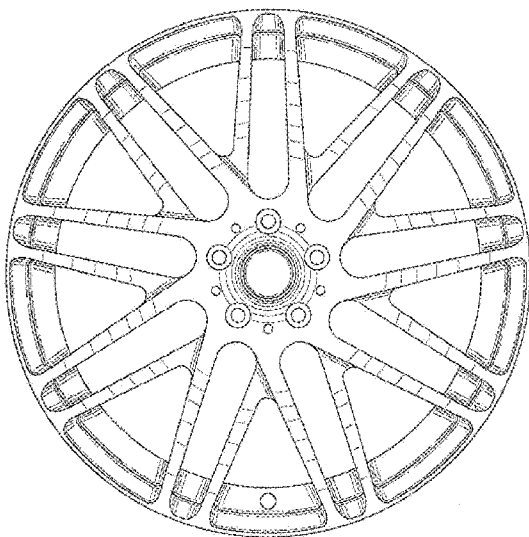
(57) **CLAIM**

The ornamental design for a wheel rim, as shown and described.

DESCRIPTION

FIG. 1 is a front view of my wheel rim; and,
FIG. 2 is a perspective view of my wheel rim.

1 Claim, 2 Drawing Sheets



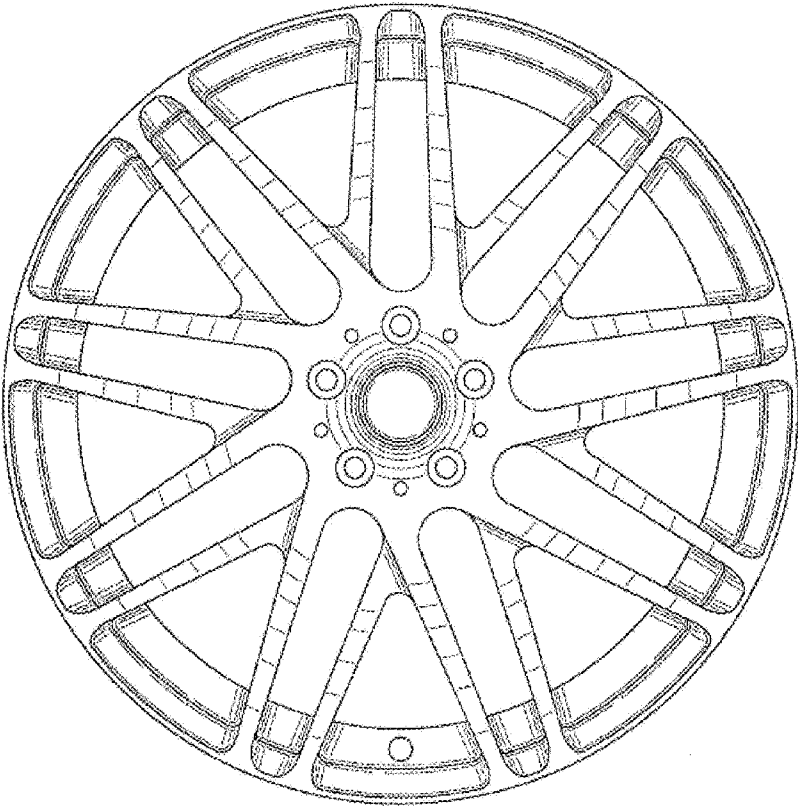


Fig. 1

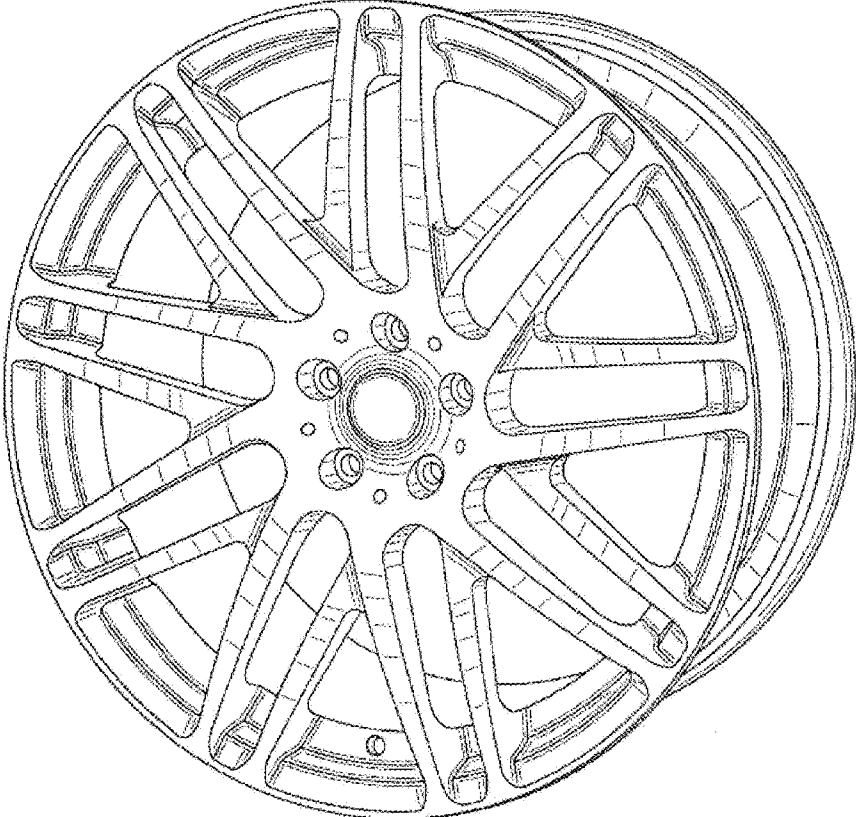


Fig. 2