



US00D643291S

(12) **United States Design Patent**  
**Haskins**

(10) **Patent No.:** **US D643,291 S**

(45) **Date of Patent:** **\*\* Aug. 16, 2011**

(54) **BOTTLE HAVING RECESSED LABEL PANEL**

D427,528 S \* 7/2000 Krueger ..... D9/503  
D463,287 S \* 9/2002 Moore et al. .... D9/549  
D544,349 S \* 6/2007 Hyde et al. .... D9/500

(75) Inventor: **Richard J. Haskins**, Palm Beach Gardens, FL (US)

(73) Assignee: **Accudial Pharmaceutical, Inc.**, Palm Beach Gardens, FL (US)

(\*\*) Term: **14 Years**

(21) Appl. No.: **29/340,243**

(22) Filed: **Jul. 15, 2009**

(51) **LOC (9) Cl.** ..... **09-01**

(52) **U.S. Cl.** ..... **D9/516; D9/502; D9/550**

(58) **Field of Classification Search** ..... D9/500,  
D9/502-505, 516, 545, 549-550, 558, 574-575,  
D9/682, 686, 688-692; D3/300, 598; 215/379,  
215/382-384, 370-371; 220/660, 662, 669,  
220/675

See application file for complete search history.

(56) **References Cited**

**U.S. PATENT DOCUMENTS**

D221,836 S \* 9/1971 Giles et al. .... D9/500  
D272,888 S \* 3/1984 Wells ..... D9/504  
D286,614 S \* 11/1986 Melville ..... D9/504  
D291,658 S \* 9/1987 Klette et al. .... D9/504  
D295,372 S \* 4/1988 Klette et al. .... D9/500  
D409,919 S \* 5/1999 Young ..... D9/520

**OTHER PUBLICATIONS**

“GCM1-405 Std. Continuous (Depressed) Thread”, Owens-Illinois—Distilled Spirits, Wines, & Cordials,1960—Stock Catalog, Duraglas by Owens-Illinois Glass Co., OH, © 1960, p. F.\*

\* cited by examiner

*Primary Examiner* — Ian Simmons

*Assistant Examiner* — Dana L Sipos

(74) *Attorney, Agent, or Firm* — McHale & Slavin, P.A.

(57) **CLAIM**

The ornamental design for a bottle having recessed label panel, as shown and described.

**DESCRIPTION**

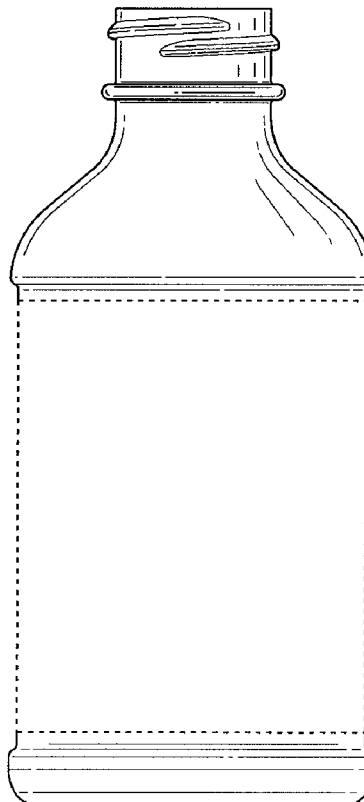
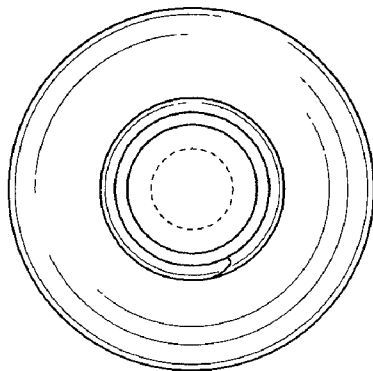
FIG. 1 is a top perspective view of a bottle having recessed label panel showing my new design;

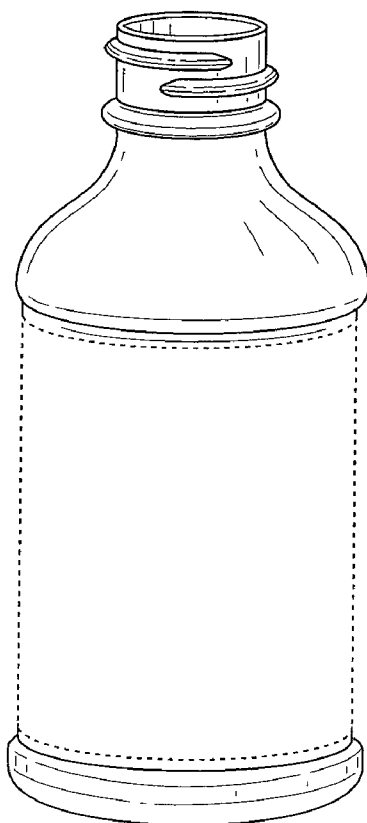
FIG. 2 is a top plan view thereof; and,

FIG. 3 is a side elevation view thereof, the opposing side elevation view being identical, excluding the threaded pour spout.

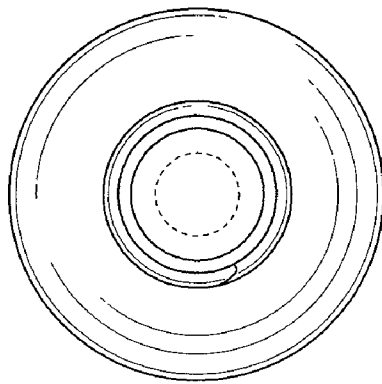
The broken lines in the drawings showing the recessed label illustrate the portions of the design that form no part of the claim.

**1 Claim, 3 Drawing Sheets**

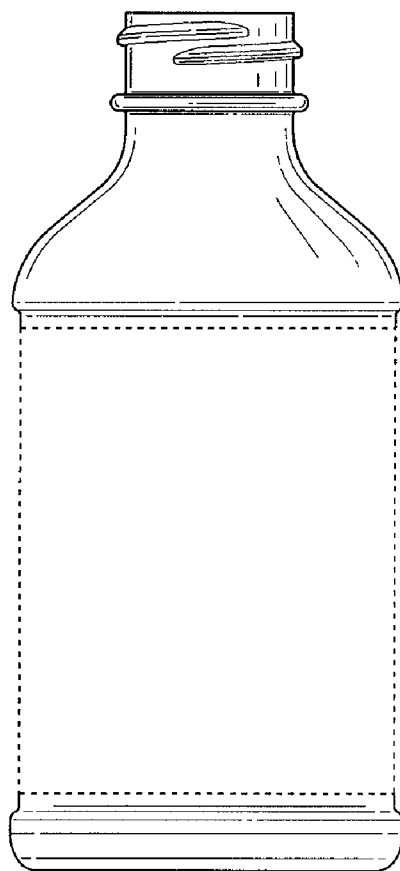




**FIG. 1**



**FIG. 2**



**FIG. 3**